



Data Sheet

# PLUS+1<sup>®</sup> Controllers

## MC024-120 and MC024-122



### Mobile Machine Management

These general purpose modular housings, connectors, and control circuitry are designed as flexible, expandable, powerful, cost effective stand alone modules for smaller machined systems or as total machine management systems with intelligence in every node. These modules communicate with one another and other intelligent systems over a machine Controller Area Network (CAN) data bus.

### Product Highlights

The MC024-120 employs a 32 bit Cortex-M3 Processor, providing the controller with extremely fast single cycle processing speed and 512K internal flash. The MC024-122 has an application key that enables the use of Danfoss developed GUIDE machine control solutions. The same GUIDE HWD file is used with both controllers.

### Application Development

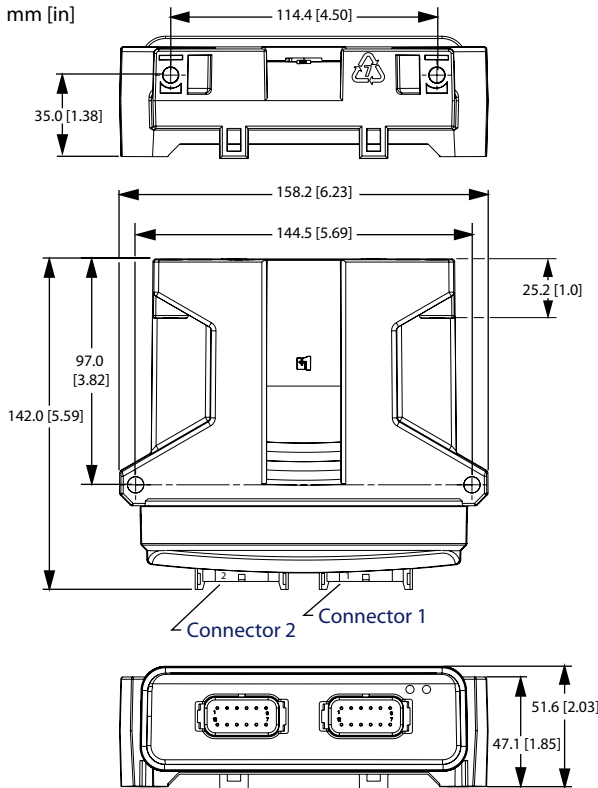
PLUS+1™ hardware modules have input or output pins that support multiple functions. Pins that support multiple input or output types are user-configurable using PLUS+1 GUIDE software. This Microsoft® Windows® based development environment features a user-friendly, field proven, icon-based graphical programming tool, application downloader, and service/diagnostic tool.

### Features

- User-programmable with PLUS+1 GUIDE (Graphical User Integrated Development Environment)
- 24 pins: (2) individually keyed Deutsch® DTM 12 pin connectors
- ARM 32 bit Cortex-M3 running at 120 MHz
  - 12 bit analog-to-digital converter
  - 16 bit timers/counters
- FRAM non-volatile memory
- 8 inputs
  - (5) universal (DIN/AIN/FreqIN) that are user-defined as either:
    - Analog:* with configurable ranges 0 to 5.25 Vdc (with over range protection) or 0 to 36 Vdc;
    - Digital:* pull up (5 Vdc), pull down (0 Vdc) or pull to center (2.5 Vdc);
    - Frequency (timing):* 1 Hz to 10 kHz
  - (2) digital (DIN) configurable as pull up (5 Vdc), pull down (0 Vdc)
  - (1) fixed range analog (AIN/CAN shield) 0 to 5.25 Vdc or CAN shield pin
- 8 outputs
  - (8) universal (PWMOUT/DOUT/PVGOUT) that are user-defined as either:
    - Digital:* (3 A), configurable as source or sink;
    - PWM:* (30 to 4000 Hz), configurable as open or closed loop with current control;
    - Analog voltage:* open loop PWM at 4000 Hz
  - Any PWMOUT/DOUT/PVGOUT can be used to provide reference power to one PVG valve
- 9 to 36 Vdc power supply, monitored internally
- 1 CAN 2.0 B port, the fixed range analog input can be configured as the shield pin
- Power supply for external sensors rated at 5 Vdc to 200 mA and regulated internally
- 2 LEDs under user control
- 3 mounting alternatives: stack, end, or side
- MC024-122 contains application key required to run Danfoss developed machine control application software
- CE compliant

Dimensions and Pin Assignments

MC024-120 and MC024-122 Mounting Dimensions



**Caution**  
PCB damage may occur. All device power supply + pins must be connected to battery +.

**Caution**  
This device is not field serviceable. Opening the device housing will void the warranty.

Specifications

Product Parameters

Supply voltage	9 to 36 Vdc
Operating temperature (ambient)	-40°C to 70°C [-40°F to 158°F]
Storage temperature	-40°C to 85°C [-40°F to 185°F]
Programming temperature	-40°C to 70°C [-40°F to 158°F]
IP rating (with mating connector attached)	IP 67
EMI/RFI rating	100 V/m
Weight	0.40 kg [0.88 lb]
Vibration	IEC 60068-2-64
Shock	IEC 60068-2-27 test Ea
Maximum current, sourcing	24 A
Maximum current, sinking	8 A

**Danfoss Power Solutions (US) Company**  
2800 East 13th Street  
Ames, IA 50010, USA  
Phone: +1 515 239 6000

**Danfoss Power Solutions GmbH & Co. OHG**  
Krokamp 35  
D-24539 Neumünster, Germany  
Phone: +49 4321 871 0

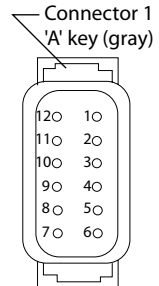
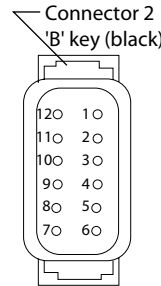
MC024-120 and MC024-122 24 Pin Connectors

Connector 2

Pin	Controller function
C2-P1	DIN/AIN/FreqIN
C2-P2	DIN/AIN/FreqIN
C2-P3	PWMOUT/DOOUT/PVGOUT
C2-P4	PWMOUT/DOOUT/PVGOUT
C2-P5	PWMOUT/DOOUT/PVGOUT
C2-P6	PWMOUT/DOOUT/PVGOUT
C2-P7	PWMOUT/DOOUT/PVGOUT
C2-P8	PWMOUT/DOOUT/PVGOUT
C2-P9	PWMOUT/DOOUT/PVGOUT
C2-P10	PWMOUT/DOOUT/PVGOUT
C2-P11	Power supply +
C2-P12	Power supply +

Connector 1

Pin	Controller function
C1-P1	Power ground -
C1-P2	Power supply +
C1-P3	CAN +
C1-P4	CAN -
C1-P5	AIN/CAN shield
C1-P6	DIN
C1-P7	DIN
C1-P8	5 Vdc sensor power +
C1-P9	Sensor power ground -
C1-P10	DIN/AIN/FreqIN
C1-P11	DIN/AIN/FreqIN
C1-P12	DIN/AIN/FreqIN



Use care when wiring mating connector. Above pinouts are for device pins.

Product part Numbers

MC024-120	11131280	
MC024-122	11131281	
CG150 CAN/USB Gateway	10104136	
Deutsch® mating connector bag assembly	10102023 (16 to 20 AWG)	10100945 (20 to 24 AWG)
PLUS+1 GUIDE single user license	10101000	

Danfoss product literature on line at: [www.danfoss.com](http://www.danfoss.com)

**Danfoss Power Solutions Trading (Shanghai) Co. Ltd.**  
Building #22, No. 1000 Jin Hai Rd  
Jin Qiao, Pudong New District  
Shanghai, China 201206  
Phone: +86 21 3418 5200

Danfoss can accept no responsibility for possible errors in catalogues, brochures and other printed material. Danfoss reserves the right to alter its products without notice. This also applies to products already on order provided that such alterations can be made without changes being necessary in specifications already agreed. All trademarks in this material are property of the respective companies. Danfoss and the Danfoss logotype are trademarks of Danfoss A/S. All rights reserved.