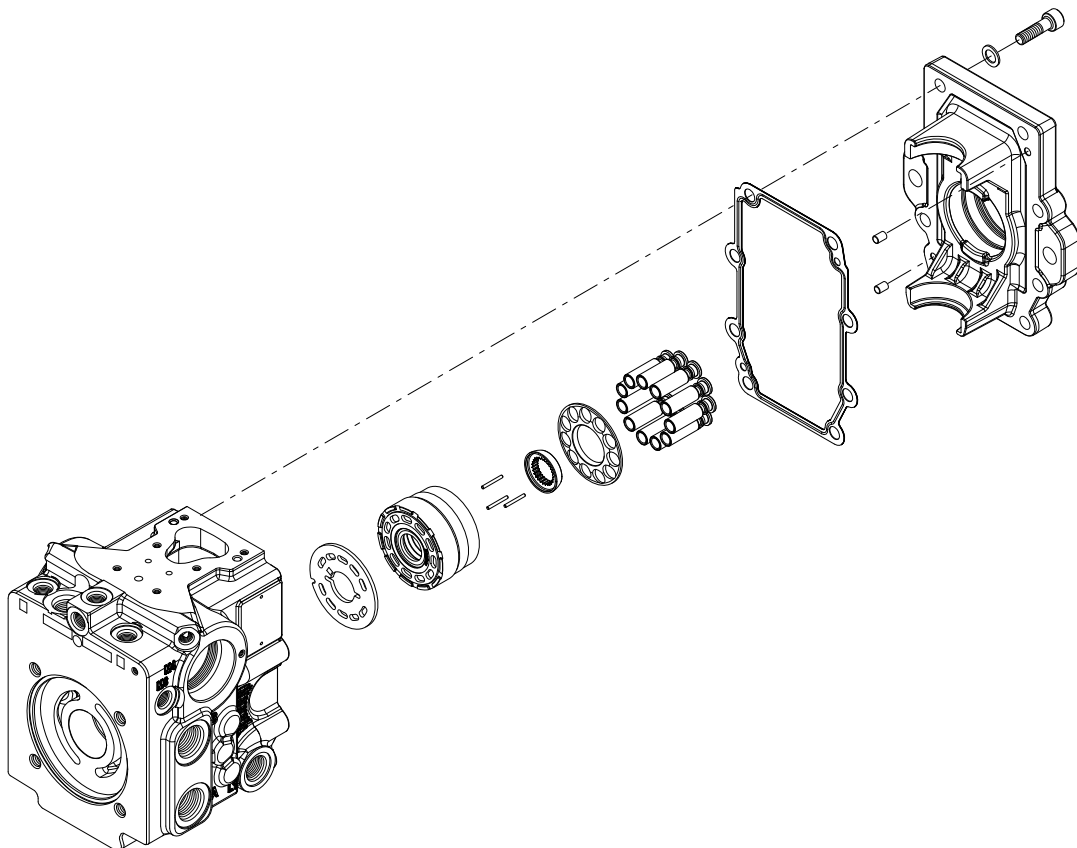


Parts Manual

Axial Piston Closed Circuit Pump

MP1 28 and 32cc



Revision history

Table of revisions

Date	Changed	Rev
May 2018	Updated MDC control handle	0501
March 2018	Corrected journal bearing part numbers	0402
February 2018	Added new control and special hardware options	0401
October 2017	Updated to Engineering Tomorrow design	0302

Contents

General information

Service Parts Identification.....	5
Nameplate.....	5
Date code.....	6
About service bulletins.....	6
Procedure to identify a part.....	6
Adobe Acrobat 2-page viewing.....	7
Order code.....	8
Notes.....	9

Controls

EDC controls.....	10
EDC MA4 and MA5.....	10
EDC MG8 and MH1.....	12
EDC SA2 and SA3.....	14
EDC SA4 and SA5.....	16
EDC SE7 and SE8.....	18
EDC SG8 and SH1.....	20
FNR controls.....	22
FNR MA9 and MB1.....	22
FNR SA9 and SB1.....	24
MDC controls.....	26
MDC MM1 and MM2.....	26
MDC SM1 and SM2.....	28
NFPE controls.....	30
NFPE MN1, MN2, SN1, SN2.....	30

Displacement limitation

Displacement limitation.....	32
------------------------------	----

Orifice

Orifice C1-E2.....	40
--------------------	----

Porting type

Porting Type A1 and A3.....	42
Porting Type C1 and C3.....	44

Mounting flange

Mounting Flange F.....	46
------------------------	----

Shaft

Shaft A7, A9, and F5.....	48
Shaft F6, G4, and G5.....	50

Auxiliary mounting

Aux Mounting A16-ANN.....	52
Aux Mounting B16-BNN.....	54
Aux Mounting C16-CNN.....	56
Aux Mounting D16-DNN.....	58
Aux Mounting E16-ENN.....	60
Aux Mounting F16-FNN.....	62

Loop flushing

Loop flushing A-C.....	64
------------------------	----

System protection

System protection ports A and B.....	66
--------------------------------------	----

Filtration and charge pressure relief

Filtration and charge pressure relief.....	70
--	----

Special hardware

Special hardware, LAC-LBD.....	72
Special hardware RAC-RBD.....	74

Contents

Settings

Settings M00A-M095..... 76

Overhaul seal kit

MP1 28/32cc seal kit.....78

Service bulletin

SB-2018-024.....79

General information

Service Parts Identification

The following information and procedure is used to identify the module group, item number, manufacture date, part number, and part name of the parts included in the MP1 28 and 32cc variable displacement pumps

The parts listed include all parts which may be used when performing either "Minor Repairs", "Major Repairs" or "Conversions" on the MP1 28 and 32cc.

Nameplate

Each unit will have a nameplate affixed to the housing. The nameplate will include the following information:

Model Code

The Danfoss model code completely defines the specific unit and must be used when ordering parts to service this product.

Model Number

The Danfoss model number is used by the factory in manufacturing. On repeat orders, a complete unit can be ordered by the model number.

Serial Number

The Danfoss serial number is used to identify the manufacture date and the unit sequence in the build. The serial number is also used to identify the units warranty time period.

The letter code indicates the location of original manufacture (assembly).

The first number (2 digits) indicates the year of manufacture. The second number (2 digits) indicates the calendar week of manufacture.

The third number (5 digits) is a sequential number used to identify a specific unit.



General information

Date code

The date code is defined as the year and week of manufacture. The same item number may list more than one part number. This indicates that there is more than one configuration for that item number. You will see that there are different date codes for the different part numbers. Find the date code of your unit from the nameplate to determine which service part number you need to order.

Example: The service part desired is item G30

Order Code	Item	Date Begin	Date End	Part Number	Part Name	Qty. per Model/Kit
80	G30	89-17		8000243	End cap gasket	1
	G30		89-16	8000151	End cap gasket (SB-1995-006)	1

All units using this order code with a date code prior to 89-17 must use part number "8000151." All units with a date code of 89-17 and newer must use part number "8000243."

About service bulletins

A Service Bulletin Number (SB-____-____) may follow the "Part Name" of the part you desire. You must read that Service Bulletin prior to ordering that part. The information contained in these Service Bulletins, as of the print date of this bulletin, are included at the end of this manual. Service Bulletins contain more detailed information such as interchangeability, what additional parts are involved, etc. It is suggested that you add additional Service Bulletins to this manual as you receive them.

Procedure to identify a part

The modular design of this product results in a simplified service parts list and part number identification procedure.

The same item numbers are used for same part names on all units within a product type..

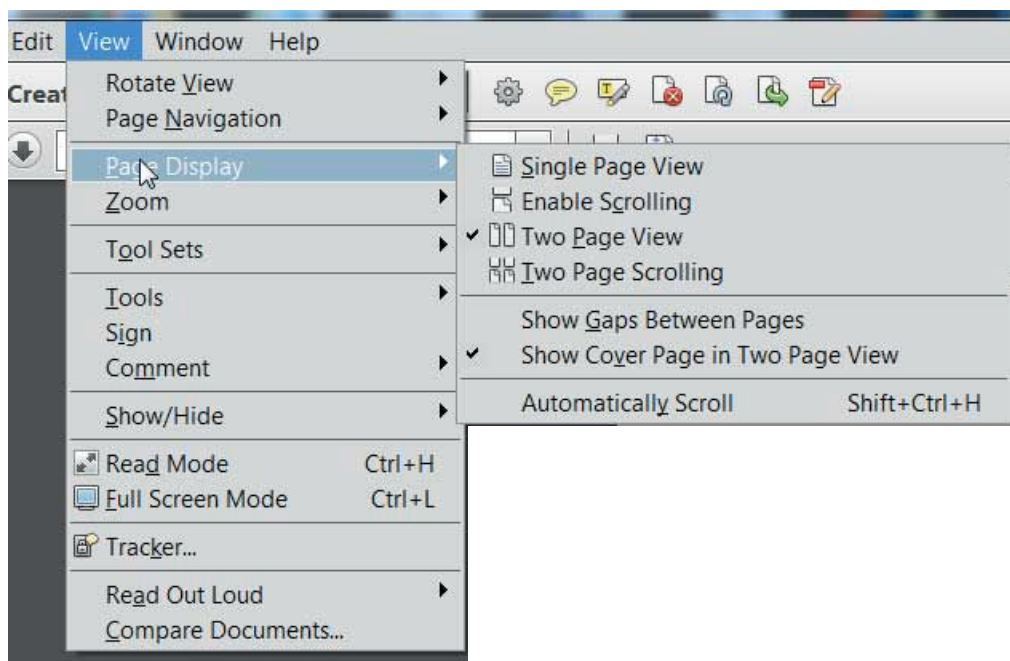
A part number that has another number following it in parentheses is done to make this a world wide manual. The first number is sold in Germany. The number in parentheses is sold in the United States (example: 314583 (9008000-0118), customers would order 9008000-0118 if ordering the part in the United States).

General information

Adobe Acrobat 2-page viewing

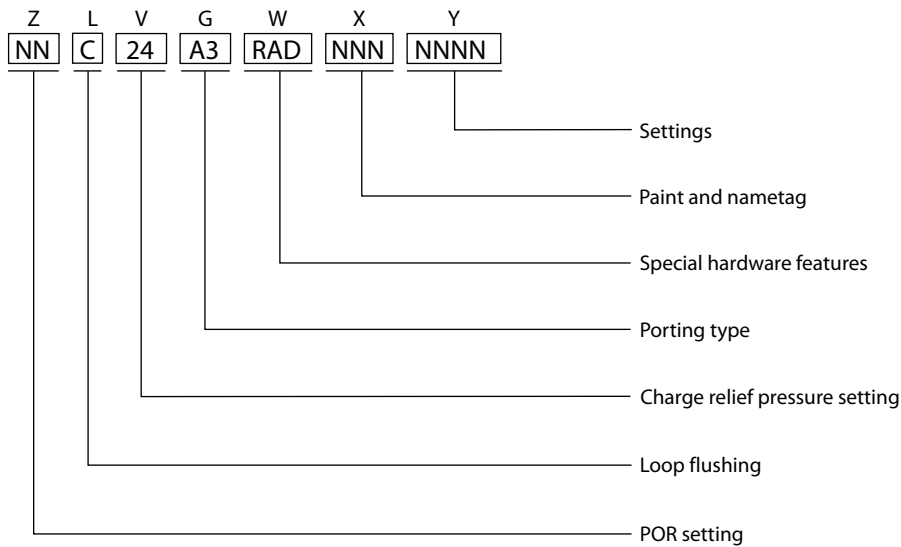
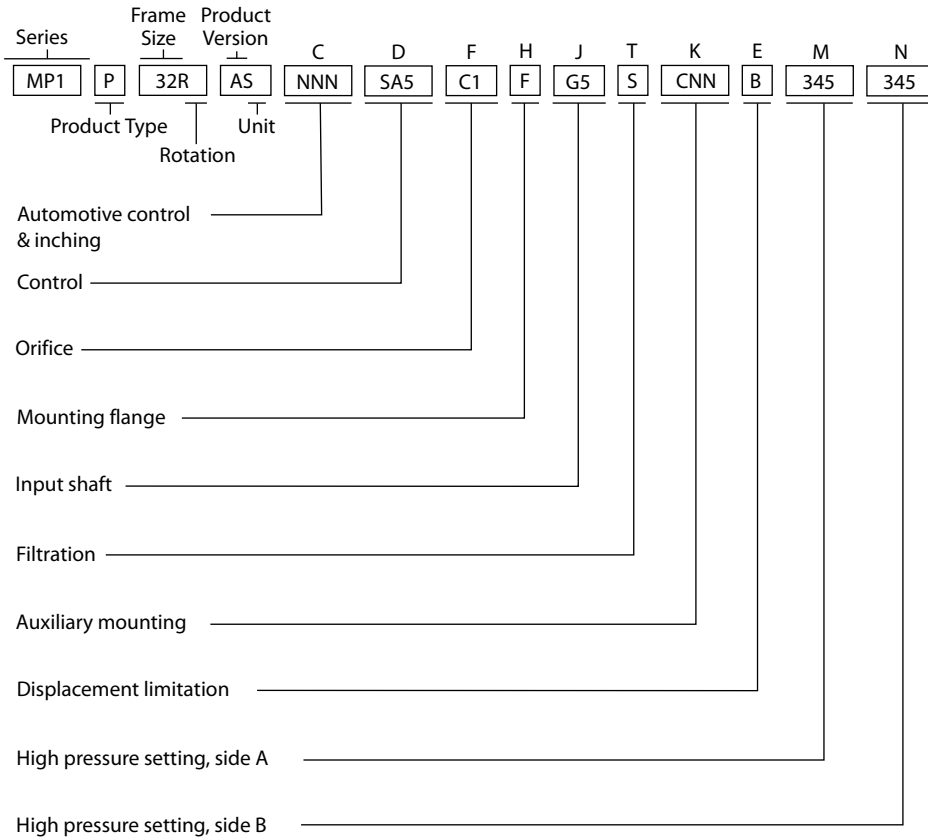
While viewing manual in Adobe Acrobat, the following settings need to be applied to ensure proper page display.

1. Select "View" → "Page Display" → "Two Page View"
2. Select "View" → "Page Display" → "Show Cover Page in Two Page View"



General information

Order code



P108 944E

General information

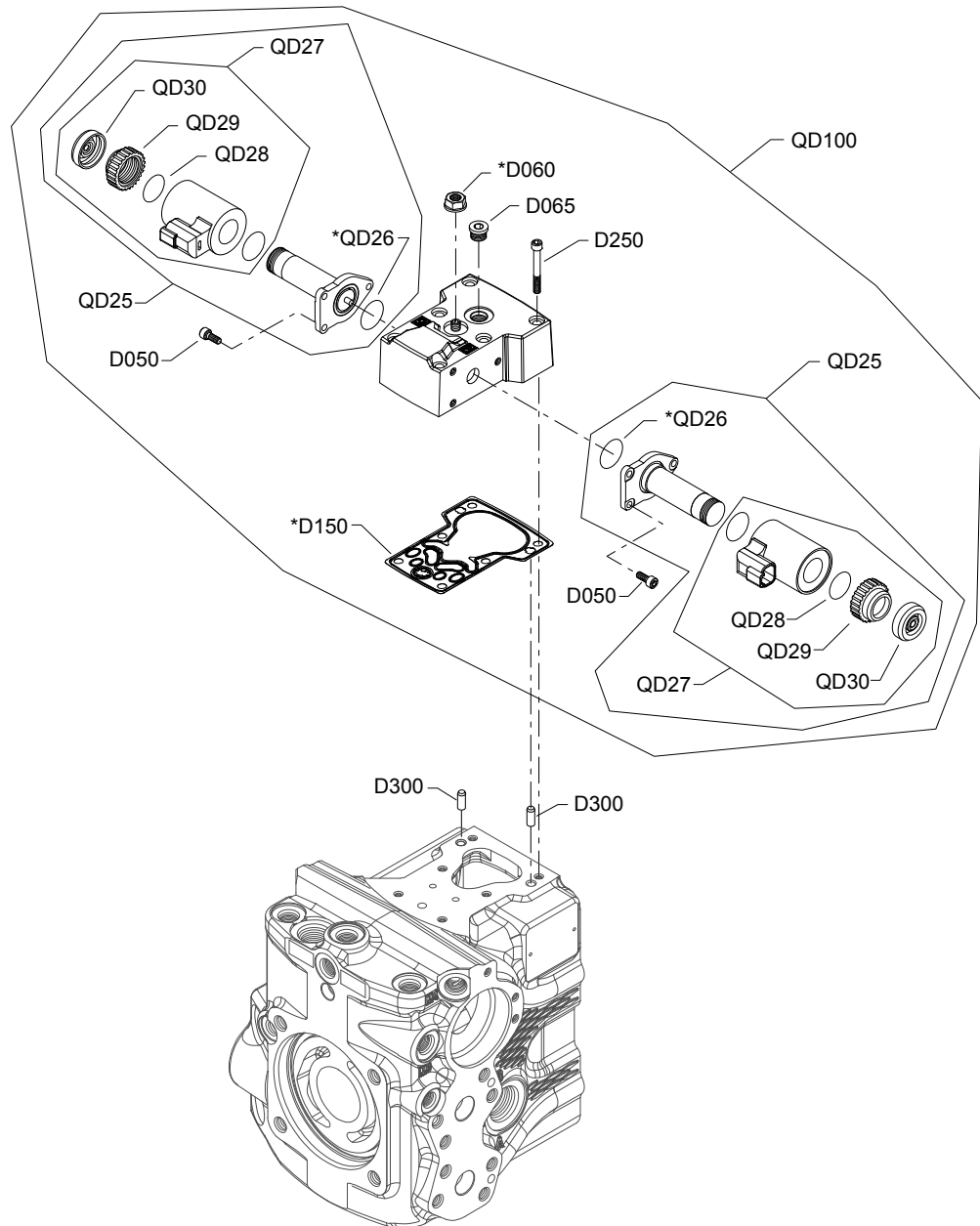
Notes

Controls

EDC controls

EDC MA4 and MA5

Parts configuration



* Included in overhaul seal kit Q210

Generic housing used to show part location only.

Controls

Common parts

Item	Date Begin	Date End	Part Number	Part Name	Qty. per Model/Kit
D050	16-32		716860	Screw, M5 x 12	6
D060	16-32		612291 (9003508-0008)	Seal nut, M8	1
D065	16-32		5000572	Plug assembly, M12	1
D150	16-32		11173377	Control gasket	1
D250	16-32		505038	Screw, M6 x 45	6
D300	16-32		310979	Dowel pin	2
QD26	16-32		11001952	O-ring	2
QD28	16-32		063172	O-ring	2
QD30	16-32		11027883	Cap	2

Order code: MA4

QD25	16-32		140750	Proportional solenoid, 12v	2
QD27	16-32		11004698	Coil kit, 12v, DEUTSCH connector	2
QD29	16-32		11004749	Coil nut	2
QD100	16-32		11170081	EDC kit, 12V, high gain spool, manual override, metric	1

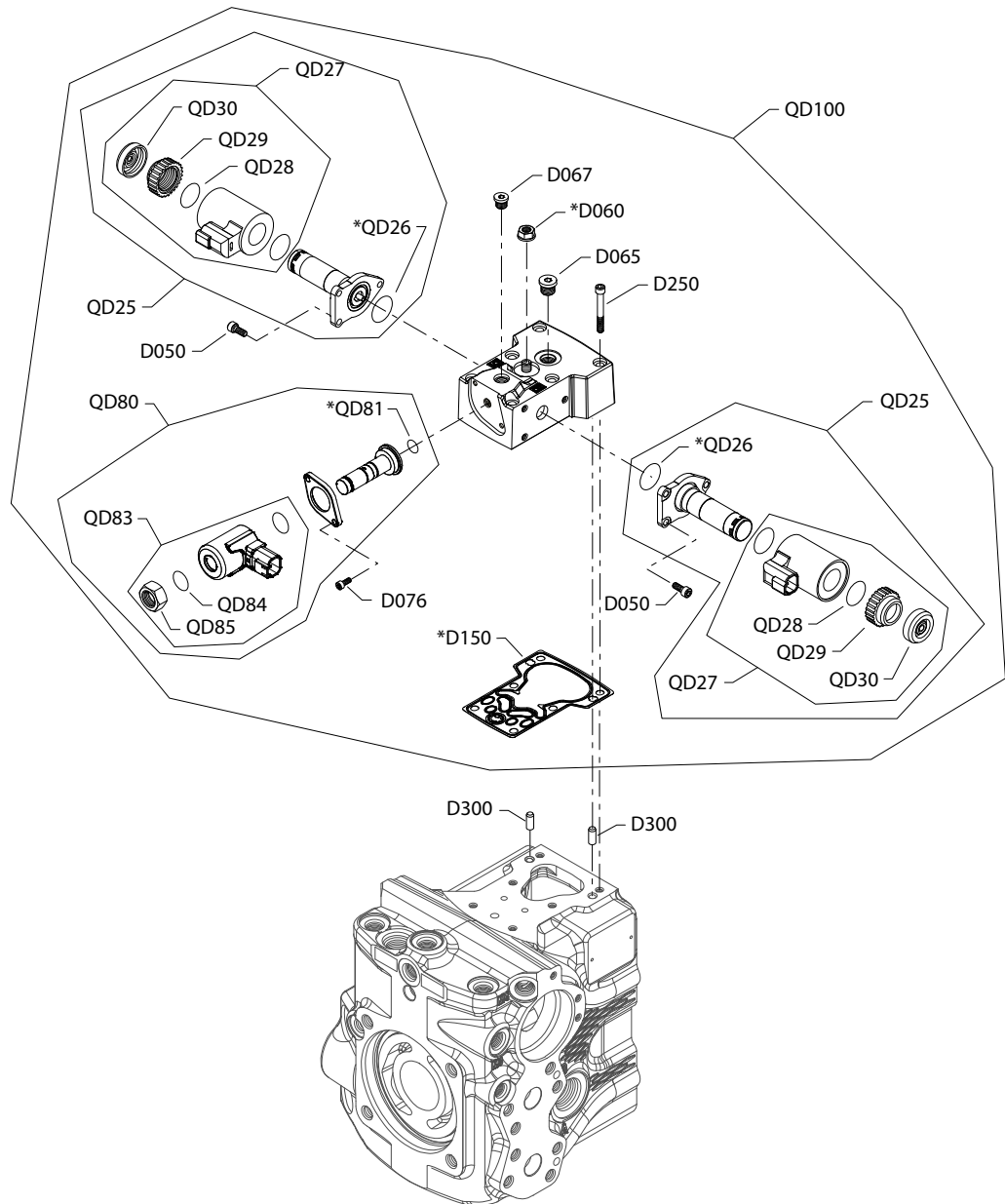
Order code: MA5

QD25	16-32		140751	Proportional solenoid, 24v	2
QD27	16-32		11004700	Coil kit, 24v, DEUTSCH connector	2
QD29	16-32		11004750	Coil nut	2
QD100	16-32		11170082	EDC kit, 24V, high gain spool, manual override, metric	1

Controls

EDC MG8 and MH1

Parts configuration



* Included in overhaul seal kit Q210

Generic housing used to show part location only.

Controls

Common parts

Item	Date Begin	Date End	Part Number	Part Name	Qty. per Model/Kit
D050	16-32		716860	Screw, M5 x 12	6
D060	16-32		612291 (9003508-0008)	Seal nut, M8	1
D065	16-32		5000572	Plug assembly, M12	1
D067	16-32		5000572	Plug assembly, M12	1
D076	16-32		067694	Screw, M4 x 10	2
D150	16-32		11173377	Control gasket	1
D250	16-32		505038	Screw, M6 x 45	6
D300	16-32		310979	Dowel pin	2
QD26	16-32		11001952	O-ring	2
QD28	16-32		063172	O-ring	2
QD30	16-32		11027883	Cap	2
QD81	16-32		11152257	O-ring	1
QD84	16-32		11140393	O-ring	1
QD85	16-32		11140394	Coil nut	1

Order code: MG8

QD25	16-32		140750	Proportional solenoid, 12v	2
QD27	16-32		11004698	Coil kit, 12v, DEUTSCH connector	2
QD29	16-32		11004749	Coil nut	2
QD80	16-32		11129914	Solenoid valve, 12v	1
QD83	16-32		11147301	Coil kit, 12v	1
QD100	16-32		11170083	EDC kit, 12V, manual override, CCO, metric	1

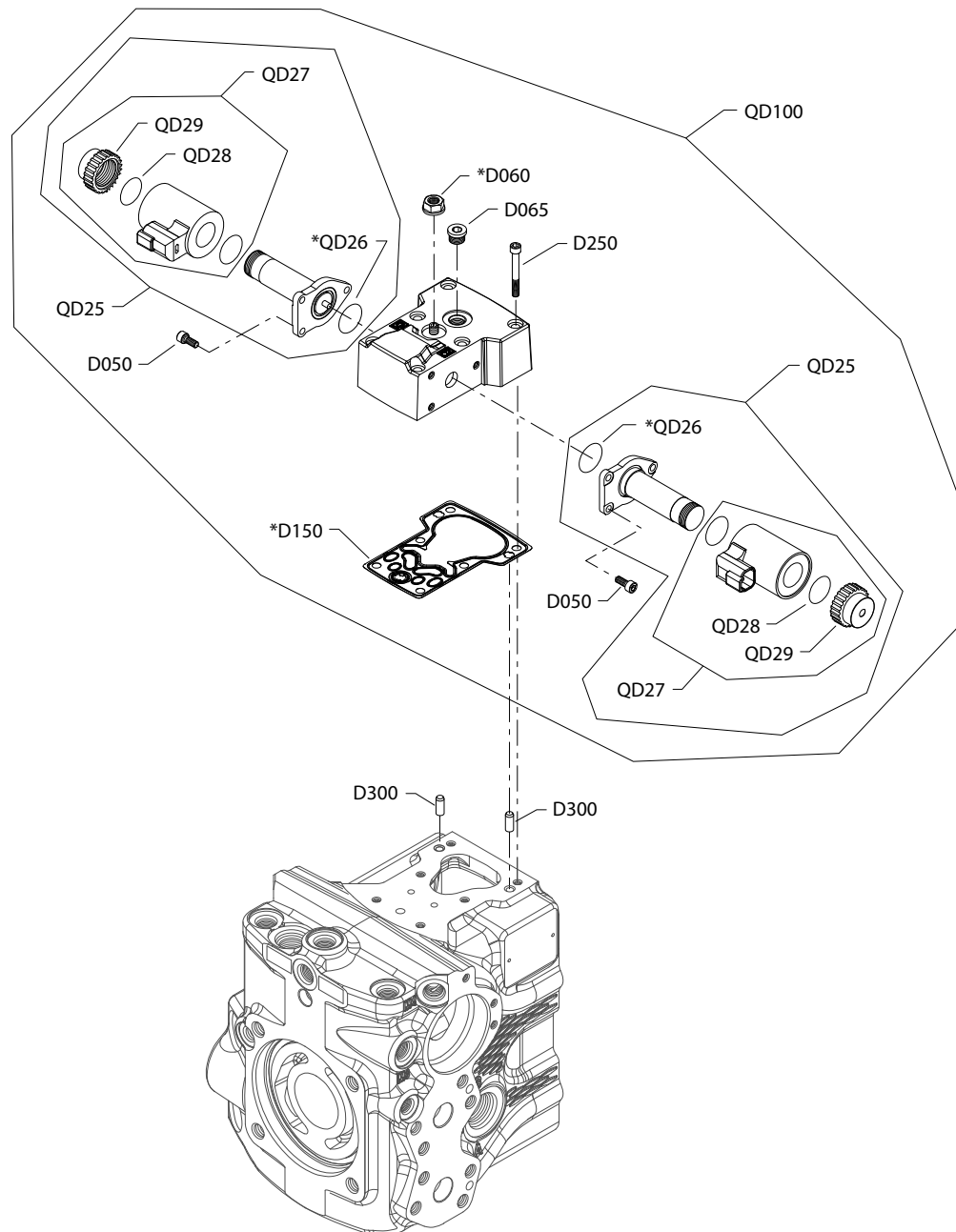
Order code: MH1

QD25	16-32		140751	Proportional solenoid, 24v	2
QD27	16-32		11004700	Coil kit, 24v, DEUTSCH connector	2
QD29	16-32		11004750	Coil nut	2
QD80	16-32		11129915	Solenoid valve, 24v	1
QD83	16-32		11147332	Coil kit, 24v	1
QD100	16-32		11170085	EDC kit, 24V, manual override, CCO, metric	1

Controls

EDC SA2 and SA3

Parts configuration



* Included in overhaul seal kit Q210

Generic housing used to show part location only.

Controls

Common parts

Item	Date Begin	Date End	Part Number	Part Name	Qty. per Model/Kit
D050	16-32		716860	Screw, M5 x 12	6
D060	16-32		612291 (9003508-0008)	Seal nut, M8	1
D065	16-32		140642	Plug assembly, SAE	1
D150	16-32		11173377	Control gasket	1
D250	16-32		505038	Screw, M6 x 45	6
D300	16-32		310979	Dowel pin	2
QD26	16-32		11001952	O-ring	2
QD28	16-32		063172	O-ring	2

Order code: SA2

QD25	16-32		11012457	Proportional solenoid, 12v	2
QD27	16-32		11028018	Coil kit, 12v, DEUTSCH connector	2
QD29	16-32		11027046	Coil nut	2
QD100	16-32		11019680	EDC kit, 12V	1

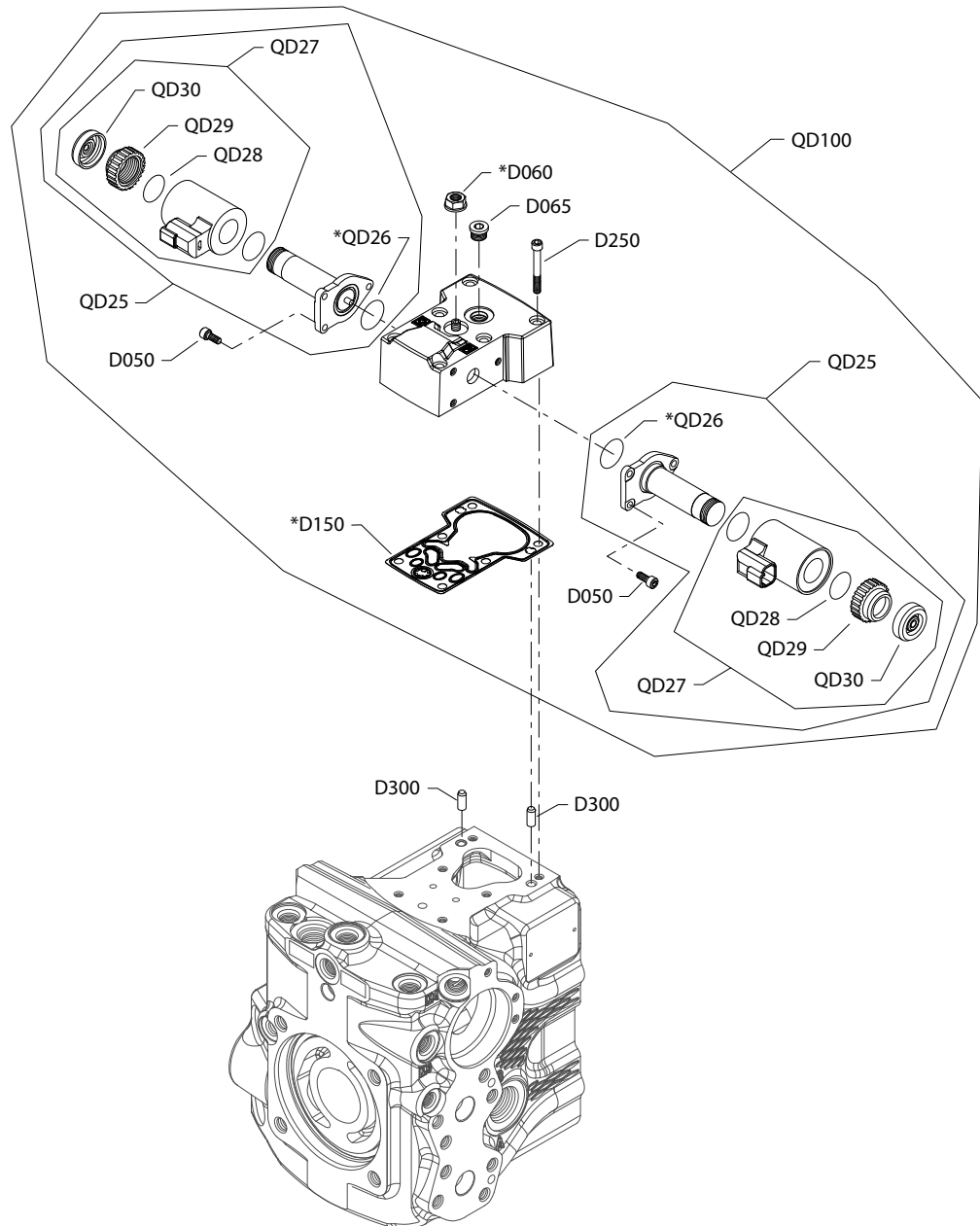
Order code: SA3

QD25	16-32		11012459	Proportional solenoid, 24v	2
QD27	16-32		11028019	Coil kit, 24v, DEUTSCH connector	2
QD29	16-32		11028024	Coil nut	2
QD100	16-32		11019681	EDC kit, 24V	1

Controls

EDC SA4 and SA5

Parts configuration



* Included in overhaul seal kit Q210

Generic housing used to show part location only.

Controls

Common parts

Item	Date Begin	Date End	Part Number	Part Name	Qty. per Model/Kit
D050	16-32		716860	Screw, M5 x 12	6
D060	16-32		612291 (9003508-0008)	Seal nut, M8	1
D065	16-32		140642	Plug assembly, SAE	1
D150	16-32		11173377	Control gasket	1
D250	16-32		505038	Screw, M6 x 45	6
D300	16-32		310979	Dowel pin	2
QD26	16-32		11001952	O-ring	2
QD28	16-32		063172	O-ring	2
QD30	16-32		11027883	Cap	2

Order code: SA4

QD25	16-32		140750	Proportional solenoid, 12v	2
QD27	16-32		11004698	Coil kit, 12v, DEUTSCH connector	2
QD29	16-32		11004749	Coil nut	2
QD100	16-32		11019732	EDC kit, 12V, high gain spool, manual override	1

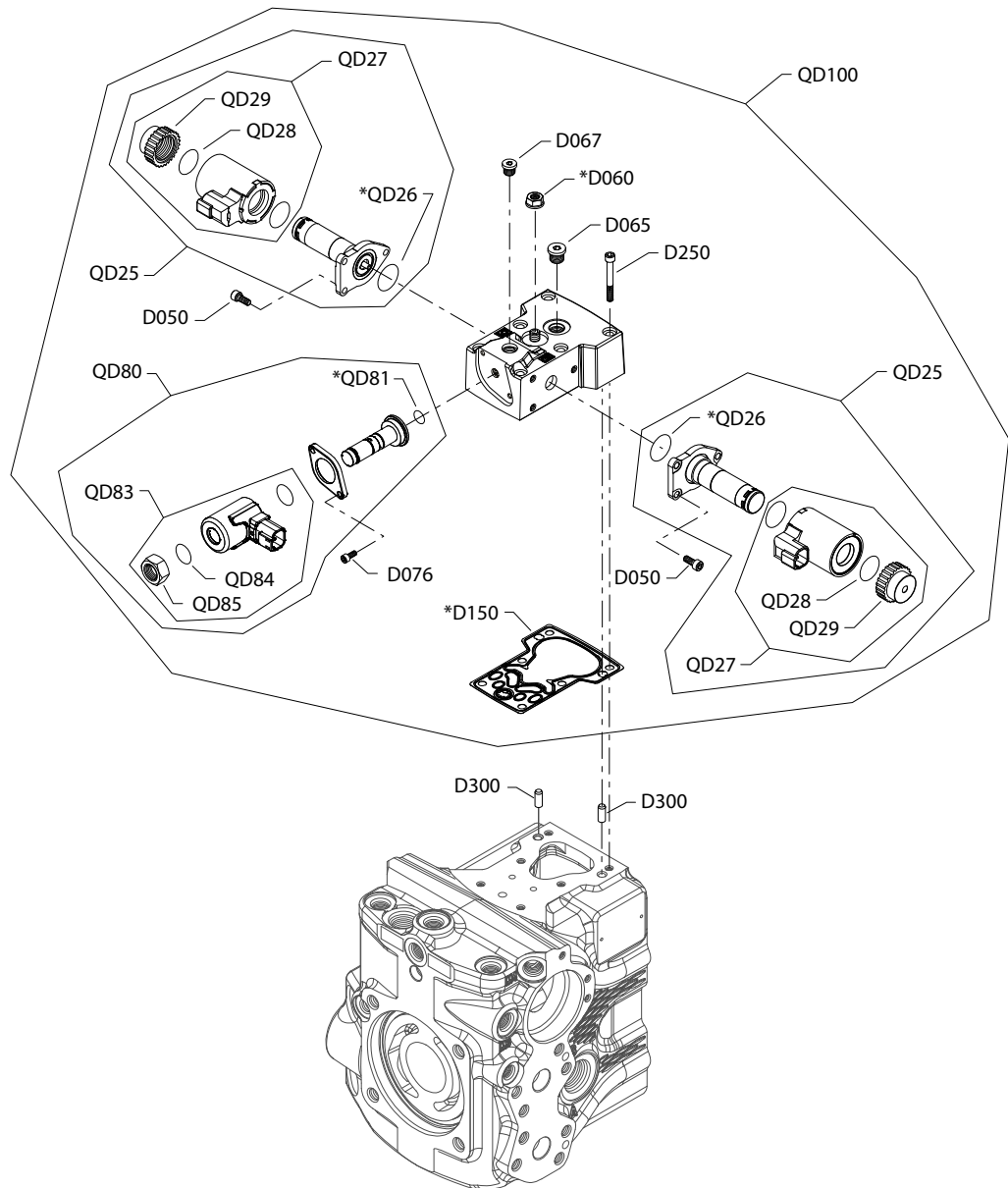
Order code: SA5

QD25	16-32		140751	Proportional solenoid, 24v	2
QD27	16-32		11004700	Coil kit, 24v, DEUTSCH connector	2
QD29	16-32		11004750	Coil nut	2
QD100	16-32		11019733	EDC kit, 24V, high gain spool, manual override	1

Controls

EDC SE7 and SE8

Parts configuration



* Included in overhaul seal kit Q210

Generic housing used to show part location only.

Controls

Common parts

Item	Date Begin	Date End	Part Number	Part Name	Qty. per Model/Kit
D050	16-32		716860	Screw, M5 x 12	6
D060	16-32		612291 (9003508-0008)	Seal nut, M8	1
D065	16-32		140642	Plug assembly, SAE	1
D067	16-32		140642	Plug assembly	1
D076	16-32		067694	Screw, M4 x 10	2
D150	16-32		11173377	Control gasket	1
D250	16-32		505038	Screw, M6 x 45	6
D300	16-32		310979	Dowel pin	2
D150	16-32		11173377	Control gasket	1
D250	16-32		505038	Screw, M6 x 45	6
D300	16-32		310979	Dowel pin	2
QD26	16-32		11001952	O-ring	2
QD28	16-32		063172	O-ring	2
QD81	16-32		11152257	O-ring	1
QD84	16-32		11140393	O-ring	1
QD85	16-32		11140394	Coil nut	1

Order code: SE7

QD25	16-32		11012457	Proportional solenoid, 12v	2
QD27	16-32		11028018	Coil kit, 12v, DEUTSCH connector	2
QD29	16-32		11027046	Coil nut	2
QD80	16-32		11129914	Solenoid valve, 12v	1
QD83	16-32		11147301	Coil kit, 12v	1
QD100	16-32		11147471	EDC kit, 12V, CCO	1

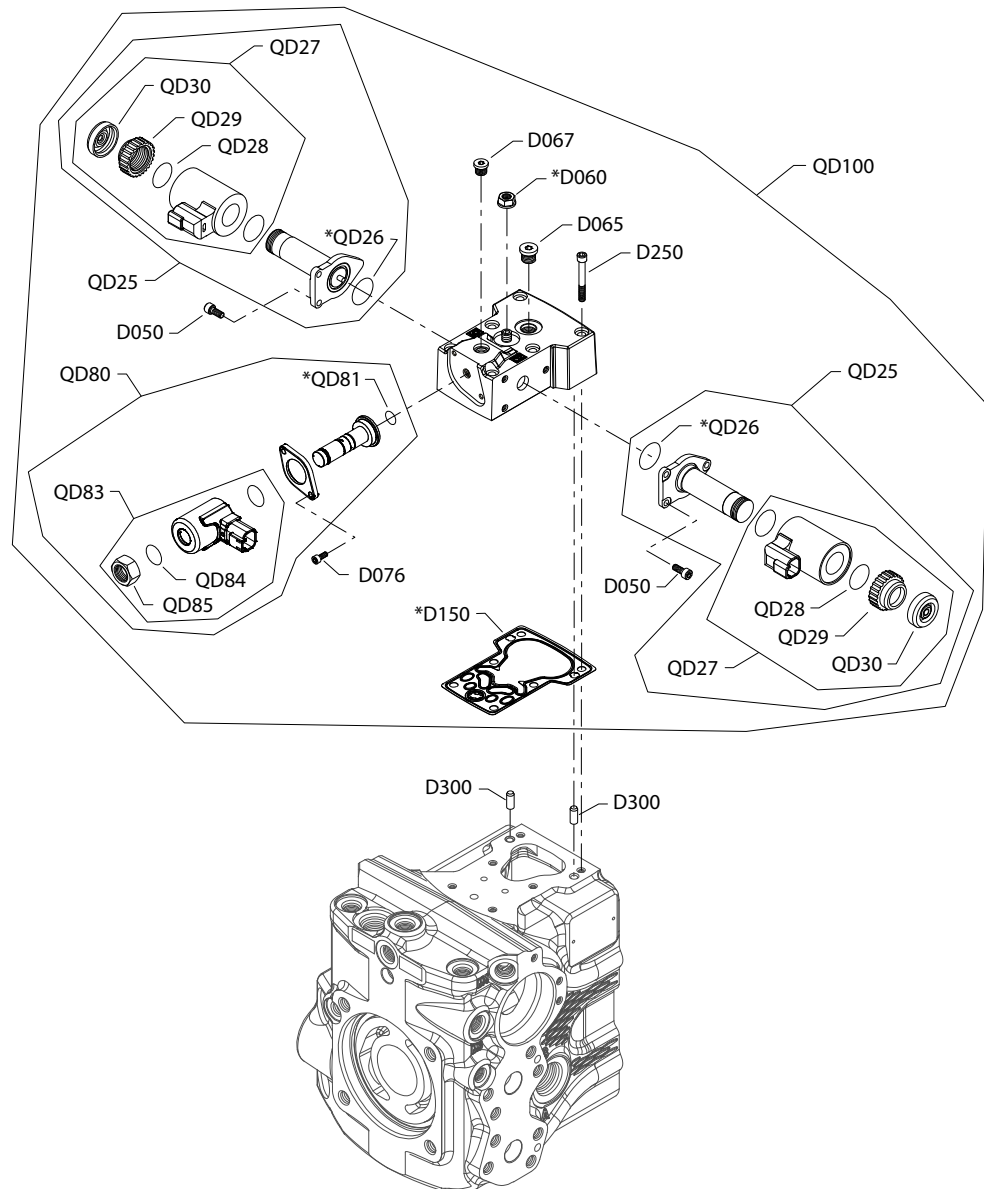
Order code: SE8

QD25	16-32		11012459	Proportional solenoid, 24v	2
QD27	16-32		11028019	Coil kit, 24v, DEUTSCH connector	2
QD29	16-32		11028024	Coil nut	2
QD80	16-32		11129915	Solenoid valve, 24v	1
QD83	16-32		11147332	Coil kit, 24v	1
QD100	16-32		11147472	EDC kit, 24V, CCO	1

Controls

EDC SG8 and SH1

Parts configuration



* Included in overhaul seal kit Q210

Generic housing used to show part location only.

Controls

Common parts

Item	Date Begin	Date End	Part Number	Part Name	Qty. per Model/Kit
D050	16-32		716860	Screw, M5 x 12	6
D060	16-32		612291 (9003508-0008)	Seal nut, M8	1
D065	16-32		140642	Plug assembly, SAE	1
D067	16-32		140642	Plug assembly	1
D076	16-32		067694	Screw, M4 x 10	2
D150	16-32		11173377	Control gasket	1
D250	16-32		505038	Screw, M6 x 45	6
D300	16-32		310979	Dowel pin	2
D150	16-32		11173377	Control gasket	1
D250	16-32		505038	Screw, M6 x 45	6
D300	16-32		310979	Dowel pin	2
QD26	16-32		11001952	O-ring	2
QD28	16-32		063172	O-ring	2
QD81	16-32		11152257	O-ring	1
QD84	16-32		11140393	O-ring	1
QD85	16-32		11140394	Coil nut	1

Order code: SG8

QD25	16-32		140750	Proportional solenoid, 12v	2
QD27	16-32		11004698	Coil kit, 12v, DEUTSCH connector	2
QD29	16-32		11004749	Coil nut	2
QD30	16-32		11027883	Cap	2
QD80	16-32		11129914	Solenoid valve, 12v	1
QD83	16-32		11147301	Coil kit, 12v	1
QD100	16-32		11155365	EDC kit, 12V, manual override, CCO	1

Order code: SH1

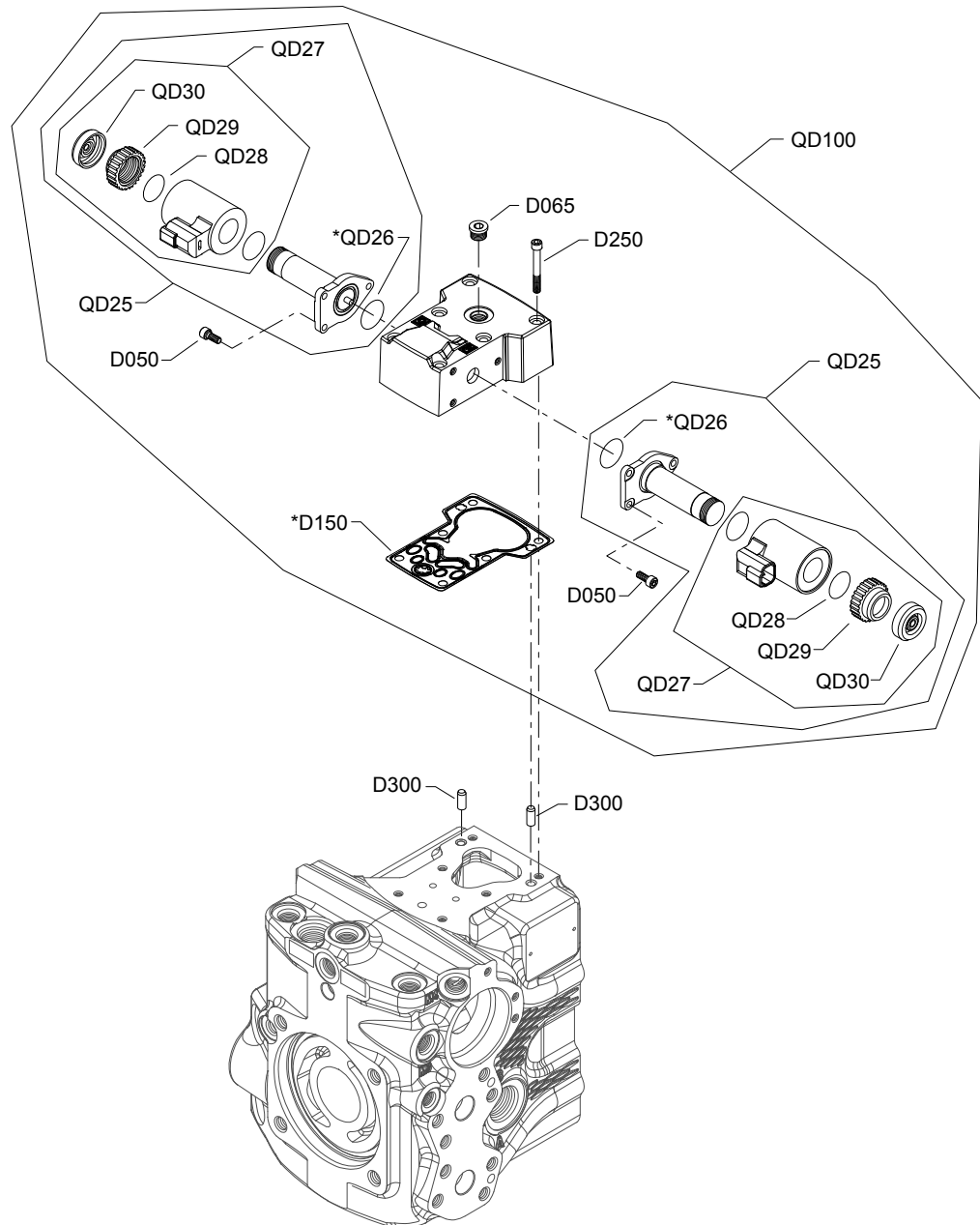
QD25	16-32		140751	Proportional solenoid, 24v	2
QD27	16-32		11004700	Coil kit, 24v, DEUTSCH connector	2
QD29	16-32		11004750	Coil nut	2
QD30	16-32		11027883	Cap	2
QD80	16-32		11129915	Solenoid valve, 24v	1
QD83	16-32		11147332	Coil kit, 24v	1
QD100	16-32		11170084	EDC kit, 24V, manual override, CCO	1

Controls

FNR controls

FNR MA9 and MB1

Parts configuration



* Included in overhaul seal kit Q210

Generic housing used to show part location only.

Controls

Common parts

Item	Date Begin	Date End	Part Number	Part Name	Qty. per Model/Kit
D050	16-32		716860	Screw, M5 x 12	6
D065	16-32		5000572	Plug assembly, M12	1
D150	16-32		11173377	Control gasket	1
D250	16-32		505038	Screw, M6 x 45	6
D300	16-32		310979	Dowel pin	2
QD26	16-32		11001952	O-ring	2
QD28	16-32		063172	O-ring	2
QD30	16-32		11027883	Cap	2

Order code: MA9

QD25	16-32		141301	Proportional solenoid, 12v	2
QD27	16-32		11005222	Coil kit, 12v, Deutsch connector	2
QD29	16-32		11004749	Coil nut	2
QD100	16-32		11170086	FNR kit, 12V, manual override, metric	1

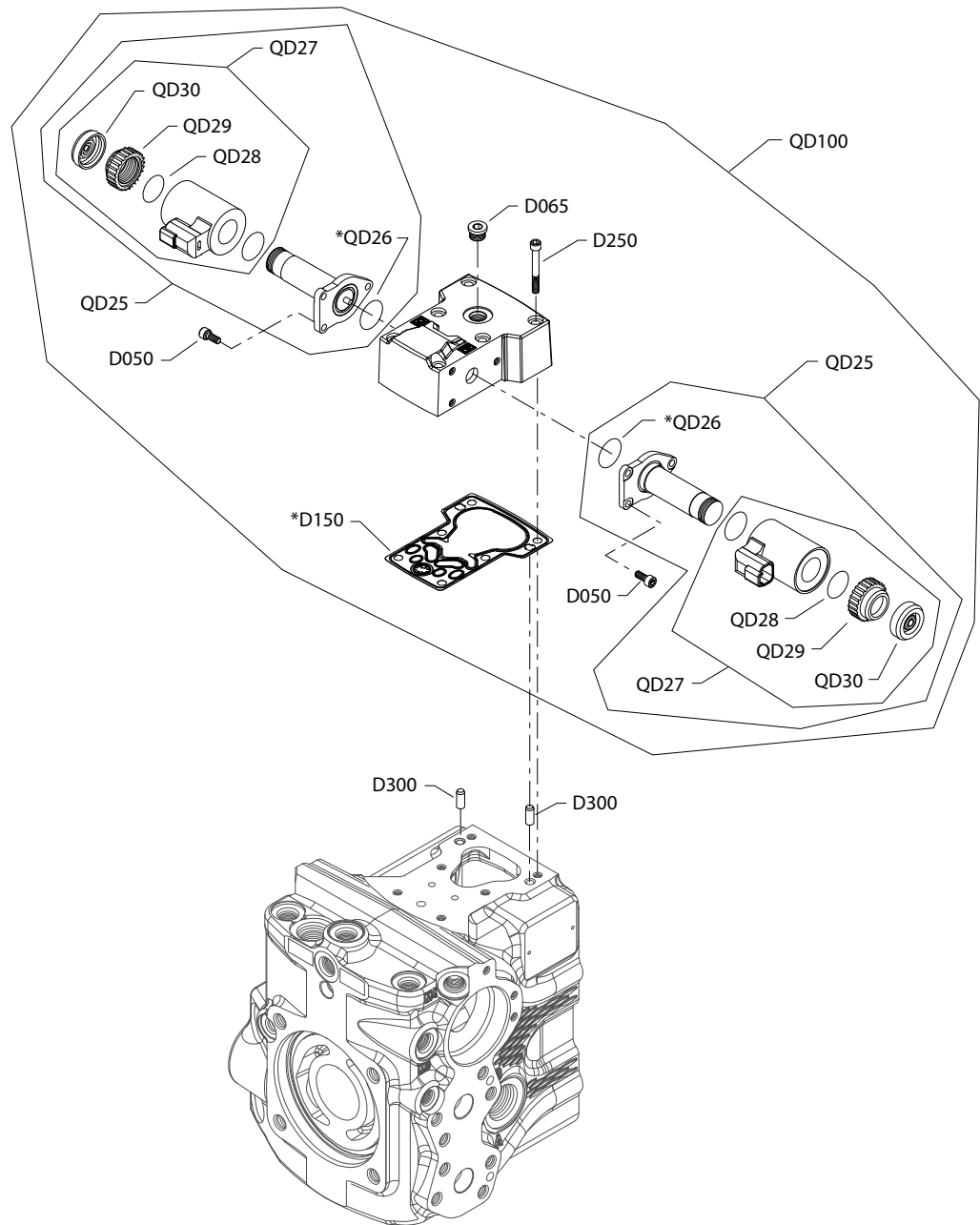
Order code: MB1

QD25	16-32		141313	Proportional solenoid, 24v	2
QD27	16-32		11005223	Coil kit, 24v, DEUTSCH connector	2
QD29	16-32		11004750	Coil nut	2
QD100	16-32		11170087	FNR kit, 24V, manual override, metric	1

Controls

FNR SA9 and SB1

Parts configuration



* Included in overhaul seal kit Q210

Generic housing used to show part location only.

Controls

Common parts

Item	Date Begin	Date End	Part Number	Part Name	Qty. per Model/Kit
D050	16-32		716860	Screw, M5 x 12	6
D060	16-32		612291 (9003508-0008)	Seal nut, M8	6
D050	16-32		716860	Screw, M5 x 12	6
D060	16-32		612291 (9003508-0008)	Seal nut, M8	1
D050	16-32		716860	Screw, M5 x 12	6
D060	16-32		612291 (9003508-0008)	Seal nut, M8	1
D065	16-32		140642	Plug assembly, SAE	1
D150	16-32		11173377	Control gasket	1
D250	16-32		505038	Screw, M6 x 45	6
D300	16-32		310979	Dowel pin	2
QD26	16-32		11001952	O-ring	2
QD28	16-32		063172	O-ring	2
D150	16-32		11173377	Control gasket	1
D250	16-32		505038	Screw, M6 x 45	6
D300	16-32		310979	Dowel pin	2
QD26	16-32		11001952	O-ring	2
QD28	16-32		063172	O-ring	2
QD30	16-32		11027883	Cap	2

Order code: SA9

QD25	16-32		141301	Proportional solenoid, 12v	2
QD27	16-32		11005222	Coil kit, 12v, DEUTSCH connector	2
QD29	16-32		11004749	Coil nut	2
QD100	16-32		11025905	FNR kit, 12V, manual override, metric	1

Order code: SB1

QD25	16-32		141313	Proportional solenoid, 24v	2
QD27	16-32		11005223	Coil kit, 24v, DEUTSCH connector	2
QD29	16-32		11004750	Coil nut	2
QD100	16-32		11025906	FNR kit, 24V, manual override, metric	1

Controls

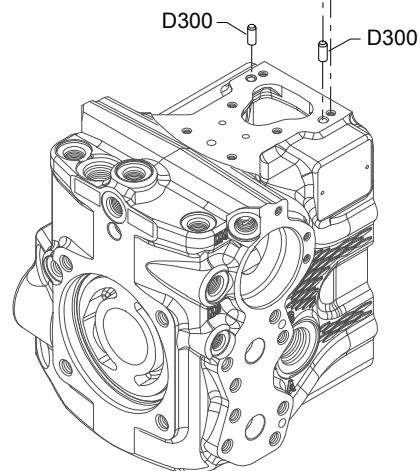
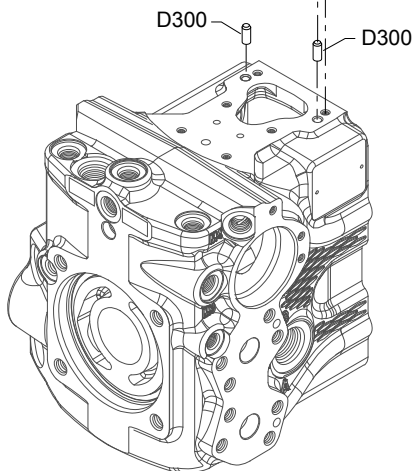
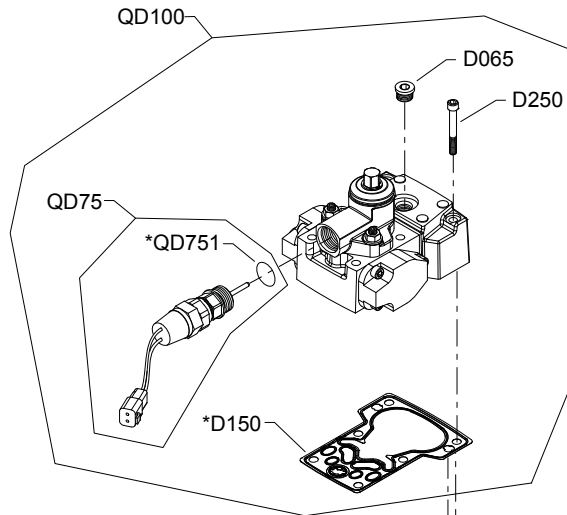
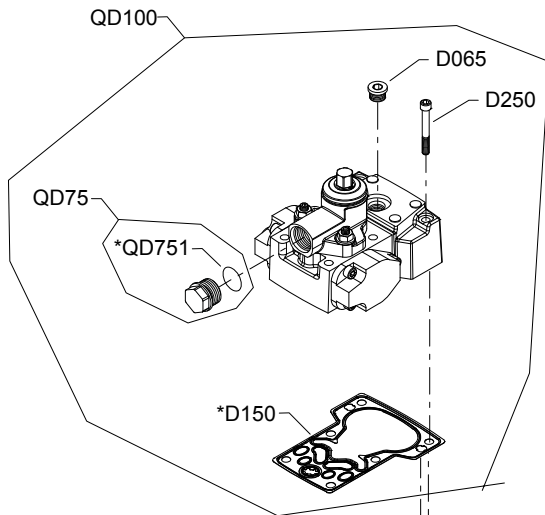
MDC controls

MDC MM1 and MM2

Parts configuration

(MM1)

(MM2)



* Included in overhaul seal kit Q210

Generic housing used to show part location only.

Controls

Common parts

Item	Date Begin	Date End	Part Number	Part Name	Qty. per Model/Kit
D065	16-32		5000572	Plug assembly, M12	1
D150	16-32		11173377	Control gasket	1
D250	16-32		505038	Screw, M6 x 45	6
D300	16-32		310979	Dowel pin	2
QD751	16-32		001131 (9004201-5000)	O-ring	1

Order code: MM1

QD75	16-32		11119332	Spring seat assembly	1
QD100	16-32		11170088	MDC kit	1

Order code: MM2

QD75	16-32		11126847	Spring seat/neutral start switch assembly	1
QD100	16-32		11170089	MDC kit with neutral start switch, metric	1

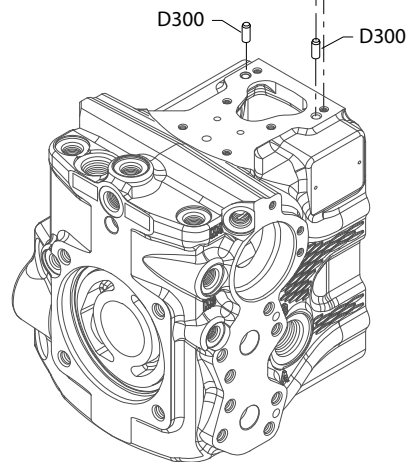
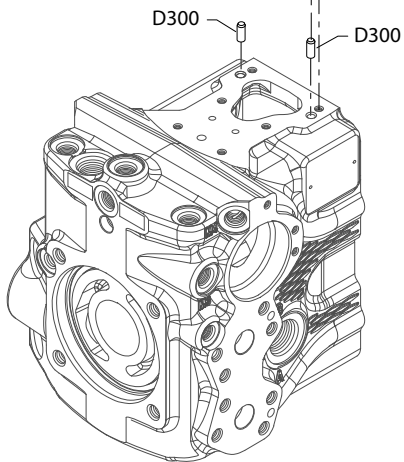
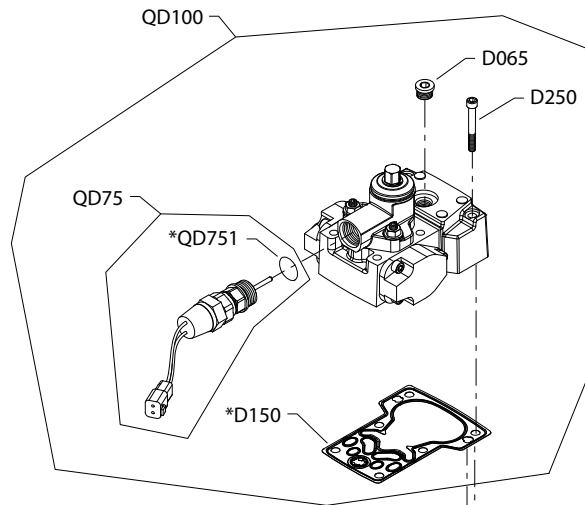
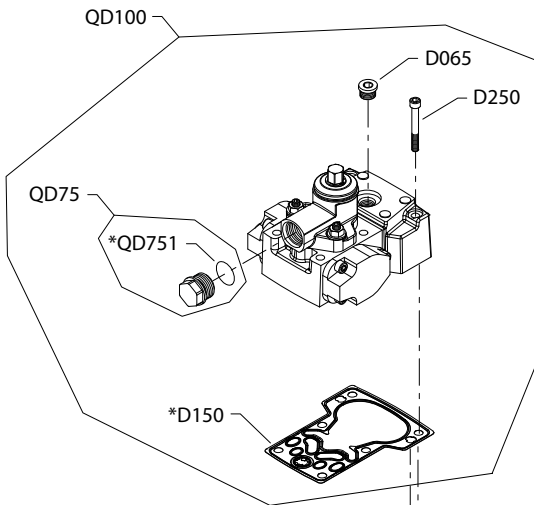
Controls

MDC SM1 and SM2

Parts configuration

(SM1)

(SM2)



* Included in overhaul seal kit Q210

Generic housing used to show part location only.

Controls

Common parts

Item	Date Begin	Date End	Part Number	Part Name	Qty. per Model/Kit
D050	16-32		716860	Screw, M5 x 12	6
D060	16-32		612291 (9003508-0008)	Seal nut, M8	1
D065	16-32		140642	Plug assembly, SAE	1
D150	16-32		11173377	Control gasket	1
D250	16-32		505038	Screw, M6 x 45	6
D300	16-32		310979	Dowel pin	2
QD26	16-32		11001952	O-ring	2
QD28	16-32		063172	O-ring	2
D150	16-32		11173377	Control gasket	1
D250	16-32		505038	Screw, M6 x 45	6
D300	16-32		310979	Dowel pin	2
QD751	16-32		001131 (9004201-5000)	O-ring	1

Order code: SM1

QD75	16-32		11119332	Spring seat assembly	1
QD100	16-32		11141225	MDC kit	1

Order code: SM2

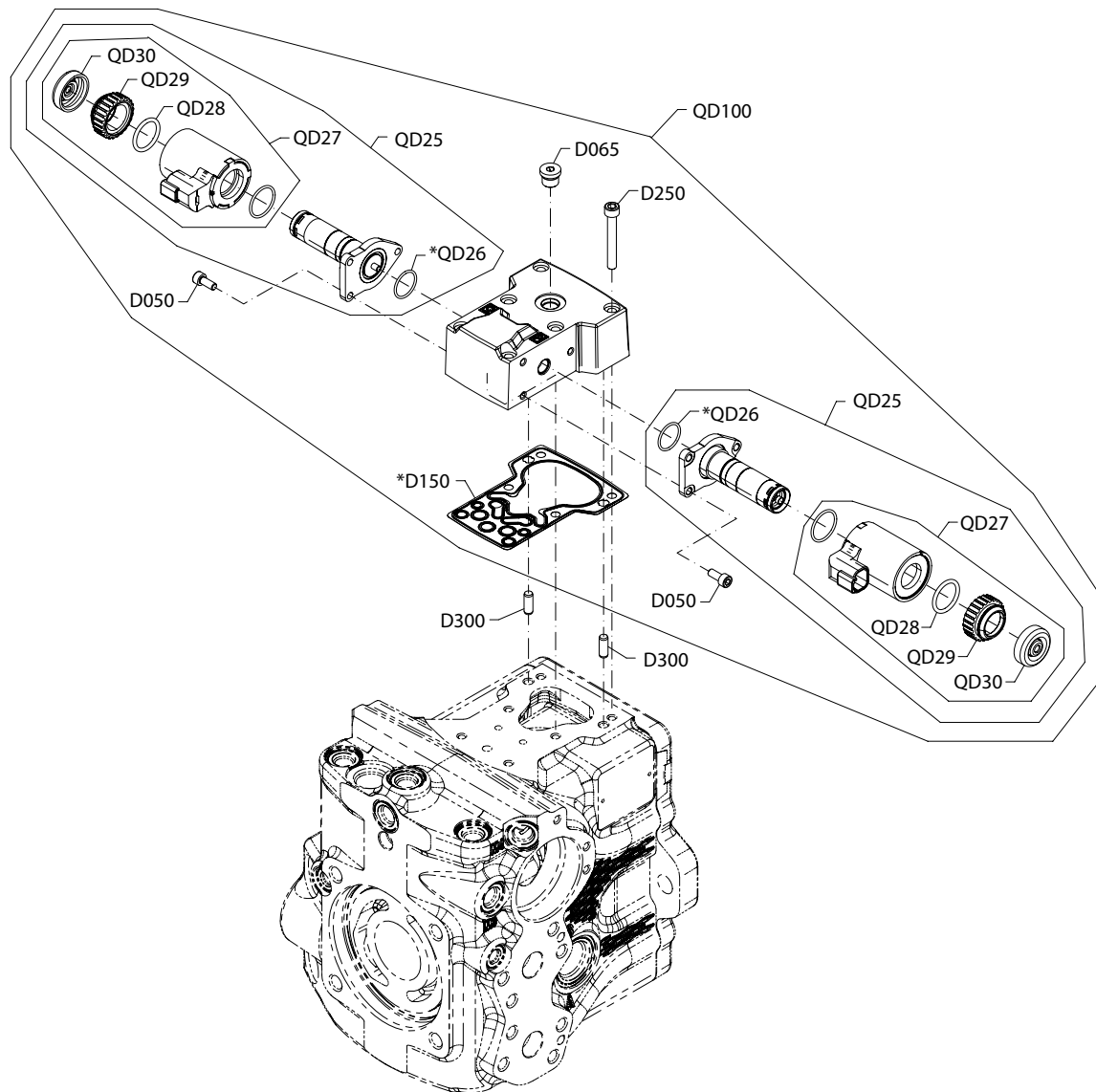
QD75	16-32		11126847	Spring seat/neutral start switch assembly	1
QD100	16-32		11141236	MDC kit with neutral start switch	1

Controls

NFPE controls

NFPE MN1, MN2, SN1, SN2

Parts configuration



Generic housing used to show part location only.

* Included in overhaul seal kit Q210

Controls

Common parts

Item	Date Begin	Date End	Part Number	Part Name	Qty. per Model/Kit
D050	17-42		716860	Screw M5 x 12	6
D150	17-42		11173377	Control gasket	1
D250	17-42		505038	Screw M6 x 45	6
D300	17-42		310979	Dowel Pin	2
QD26	17-42		11001952	O-ring	2
QD28	17-42		63172	O-ring	2
QD29	17-42		11004749	Screw nut	2
QD30	17-42		11027883	Cap	2

Order code: MN1

D065	17-42		5000572	Plug assembly, M12	1
QD25	17-42		140750	Proportional solenoid, 12v	2
QD27	17-42		11004698	Coil kit, 12v DEUTSCH connector	2
QD100	17-42		11192300	NFPE control kit, 12v	1

Order code: MN2

D065	17-42		5000572	Plug assembly, M12	1
QD25	17-42		140751	Proportional solenoid, 24v	2
QD27	17-42		11004700	Coil kit, 24v DEUTSCH connector	2
QD100	17-42		11192301	NFPE control kit, 24v	1

Order code: SN1

D065	17-42		327007	Plug assembly	1
QD25	17-42		140750	Proportional solenoid, 12v	2
QD27	17-42		11004698	Coil kit, 12v DEUTSCH connector	2
QD100	17-42		11147921	NFPE control kit, 12v	1

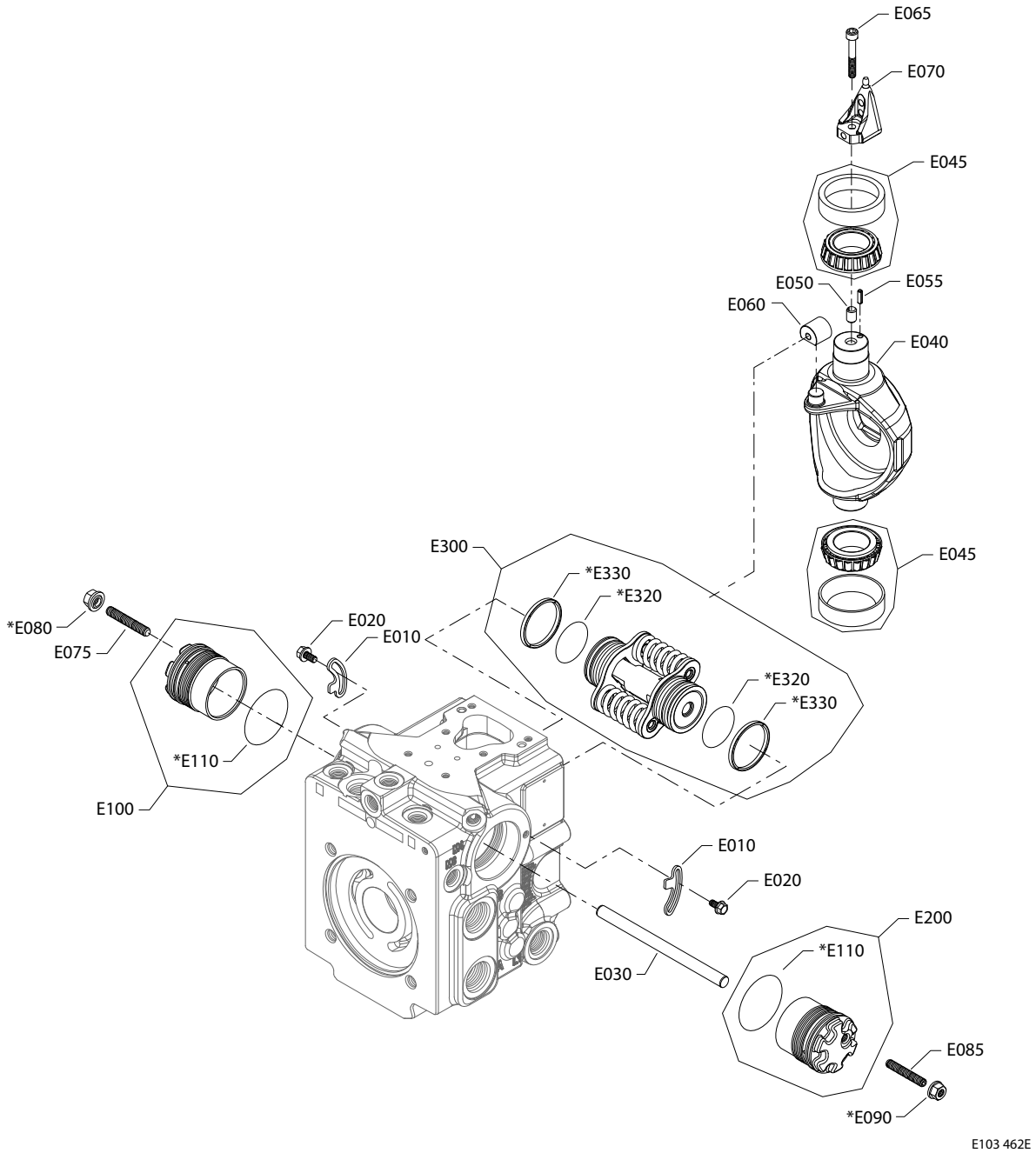
Order code: SN2

D065	17-42		327007	Plug assembly	1
QD25	17-42		140751	Proportional solenoid, 24v	2
QD27	17-42		11004700	Coil kit, 24v DEUTSCH connector	2
QD100	17-42		11147925	NFPE control kit, 24v	1

Displacement limitation

Displacement Limitation (B)

Parts configuration



* Included in overhaul seal kit Q210

Generic housing used to show part location only.

Displacement limitation

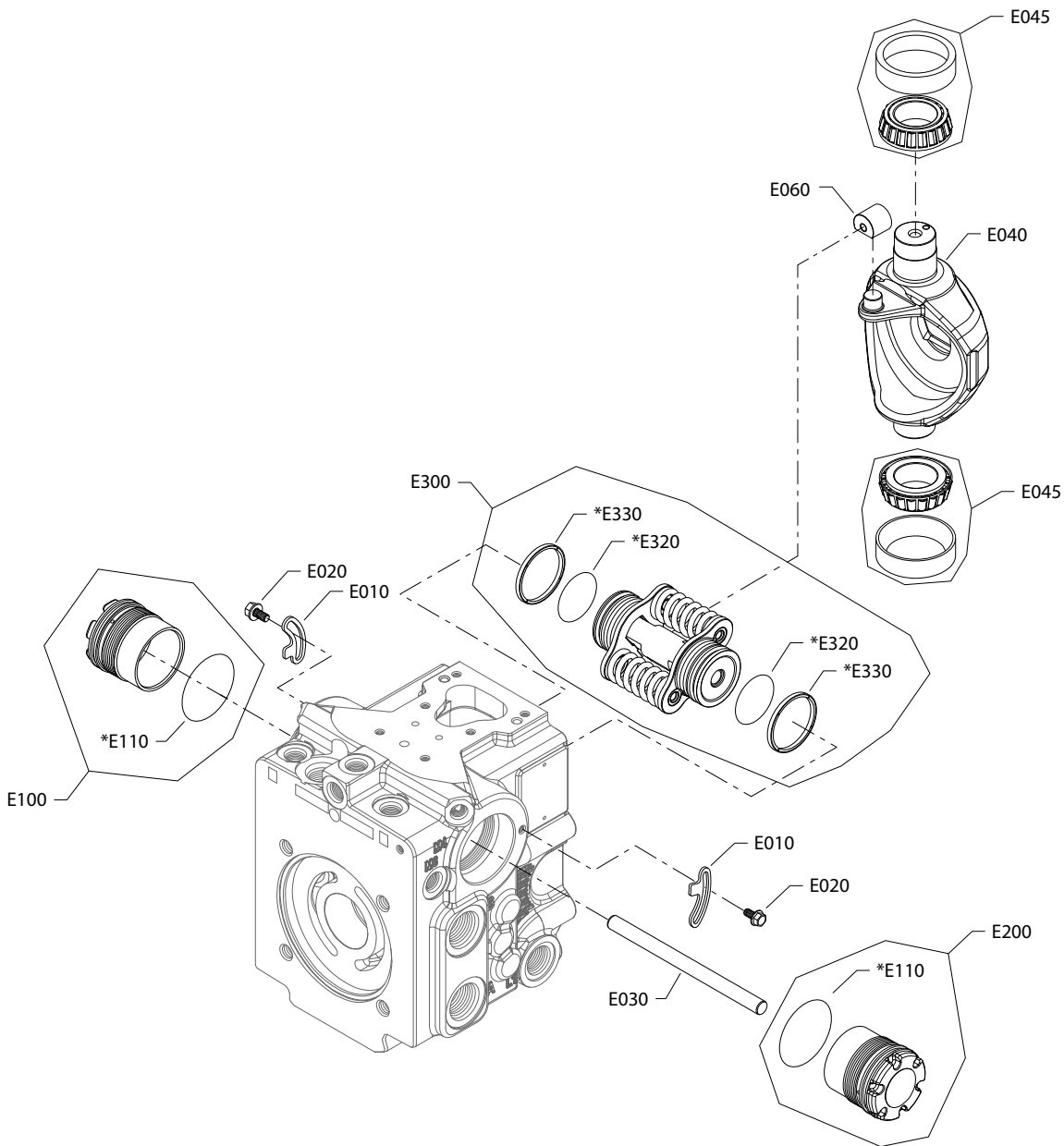
Order code: B

Item	Date Begin	Date End	Part Number	Part Name	Qty. per Model/Kit
E010	16-32		11152763	Locking plate	2
E020	16-32		508438	Screw, M6 x 12	2
E030	16-32		11154499	Servo piston guide rod	1
E040	16-32		11166190	Swashplate	1
E045	16-32		11154501	Roller bearing	2
E050	16-32		11160523	Bushing	1
E055	16-32		9004700-1508	Slotted pin	1
E060	16-32		11152843	Slider block	1
E065	16-32		508994	Screw, M6 x 35	1
E070	16-32		11149295	Swashplate feedback link	1
E075	16-32		528711	Set screw, M8 x 35	1
E080	16-32		505412 (9003509-0008)	Seal nut, M8	1
E085	16-32		528711	Set screw, M8 x 35	1
E090	16-32		505412 (9003509-0008)	Seal nut, M8	1
E100	16-32		11173676	Servo cylinder assembly	1
E110	16-32		9004104-1350	O-ring	2
E200	16-32		11173676	Servo cylinder assembly	1
E300	16-32		11170118	Servo piston assembly	1
E320	16-32		KA1A218	O-ring	2
E330	16-32		11154492	Piston ring	2

Displacement limitation

Displacement Limitation (C)

Parts configuration



E103 463E

* Included in overhaul seal kit Q210

Generic housing used to show part location only.

Displacement limitation

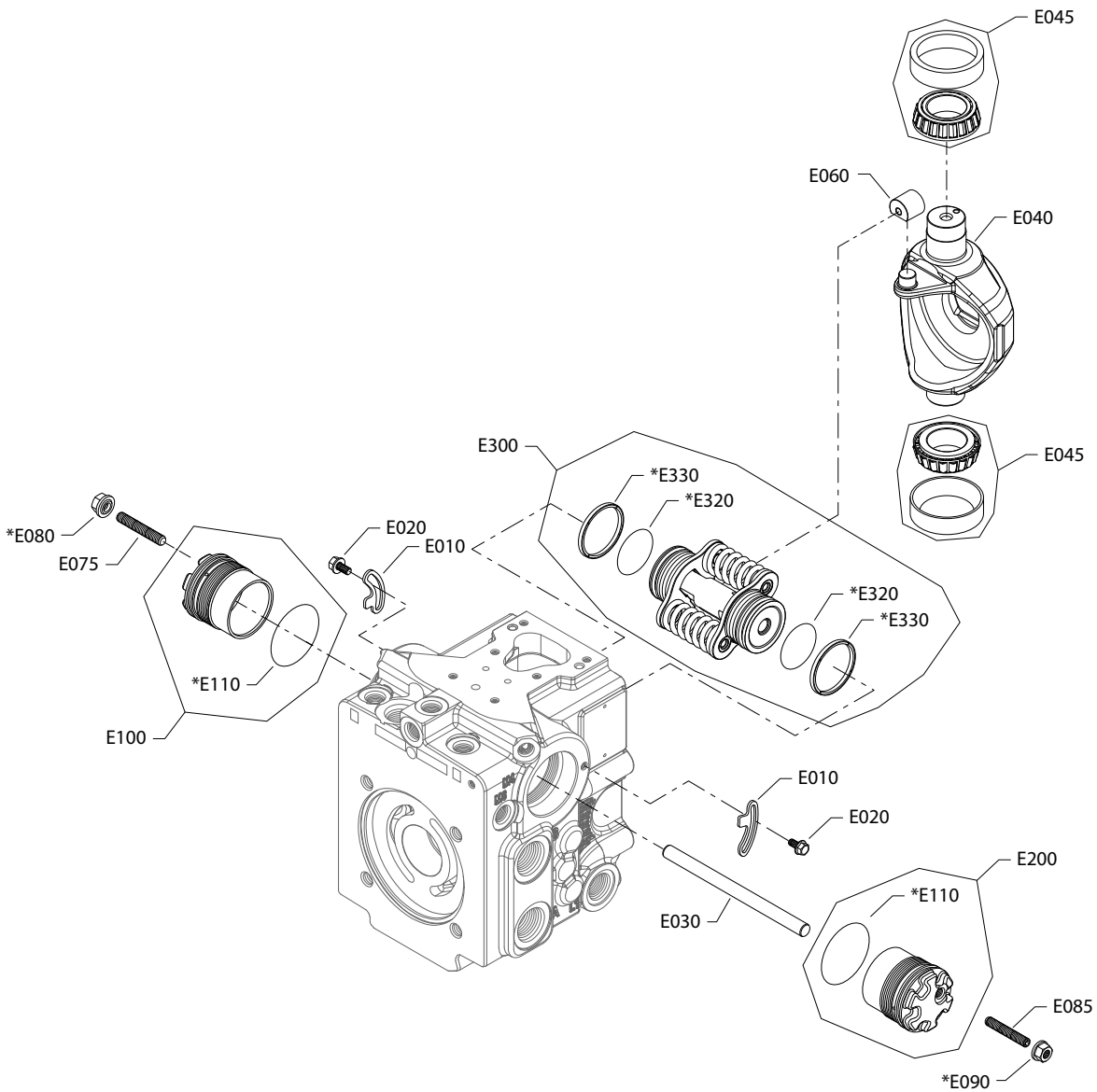
Order code: C

Item	Date Begin	Date End	Part Number	Part Name	Qty. per Model/Kit
E010	16-32		11152763	Locking plate	2
E020	16-32		508438	Screw, M6 x 12	2
E030	16-32		11154499	Servo piston guide rod	1
E040	16-32		11166190	Swashplate	1
E045	16-32		11154501	Roller bearing	2
E060	16-32		11152843	Slider block	1
E100	16-32		11170117	Servo cylinder assembly	1
E110	16-32		9004104-1350	O-ring	2
E200	16-32		11170117	Servo cylinder assembly	1
E300	16-32		11173674	Servo piston assembly, nested springs	1
E320	16-32		KA1A218	O-ring	2
E330	16-32		11154492	Piston ring	2

Displacement limitation

Displacement Limitation (D)

Parts configuration



E103 464E

* Included in overhaul seal kit Q210

Generic housing used to show part location only.

Displacement limitation

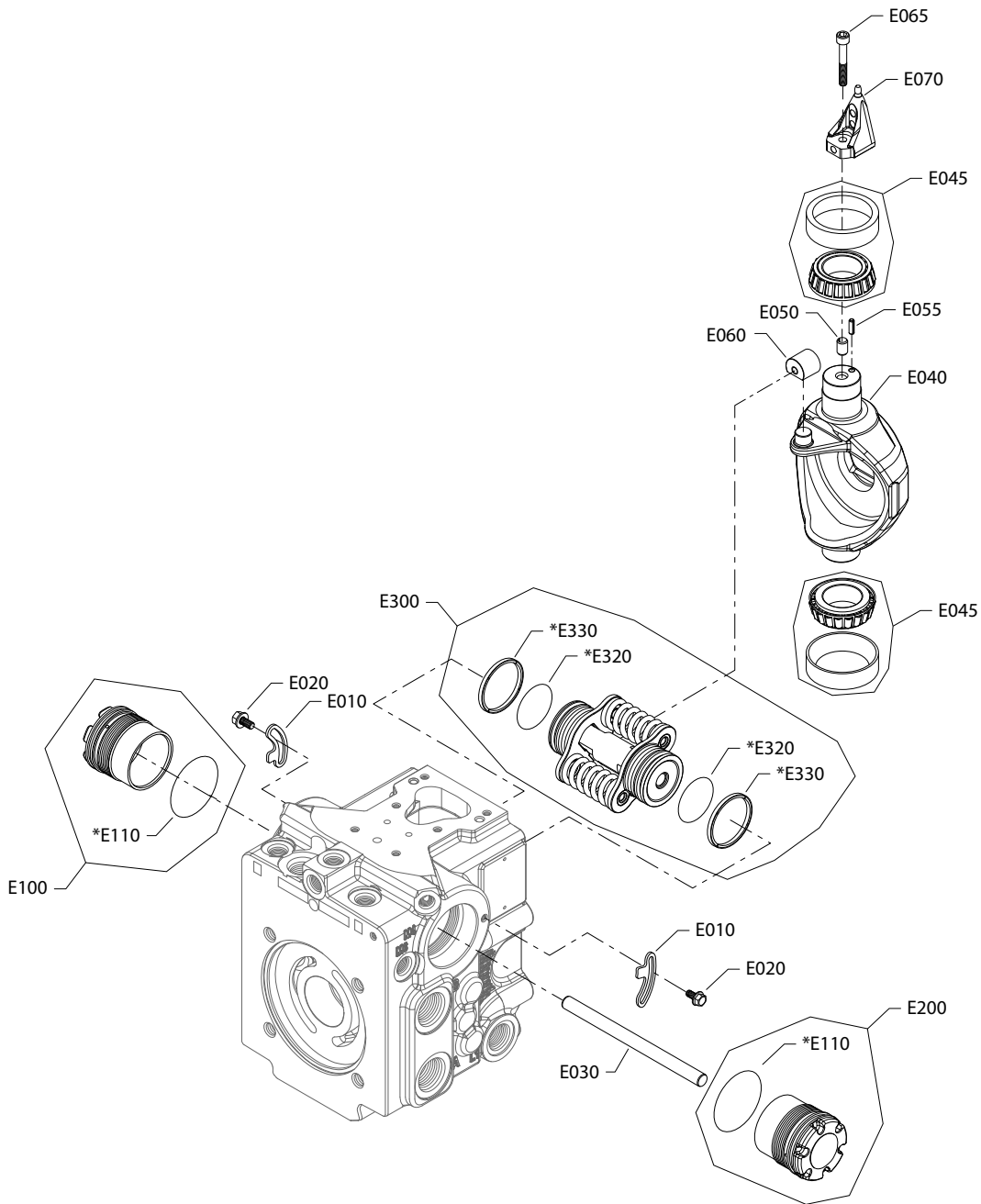
Order code: D

Item	Date Begin	Date End	Part Number	Part Name	Qty. per Model/Kit
E010	16-32		11152763	Locking plate	2
E020	16-32		508438	Screw, M6 x 12	2
E030	16-32		11154499	Servo piston guide rod	1
E040	16-32		11166190	Swashplate	1
E045	16-32		11154501	Roller bearing	2
E060	16-32		11152843	Slider block	1
E075	16-32		528711	Set screw, M8 x 35	1
E080	16-32		505412 (9003509-0008)	Seal nut, M8	1
E085	16-32		528711	Set screw, M8 x 35	1
E090	16-32		505412 (9003509-0008)	Seal nut, M8	1
E100	16-32		11173676	Servo cylinder assembly	1
E110	16-32		9004104-1350	O-ring	2
E200	16-32		11173676	Servo cylinder assembly	1
E300	16-32		11173674	Servo piston assembly, nested springs	1
E320	16-32		KA1A218	O-ring	2
E330	16-32		11154492	Piston ring	2

Displacement limitation

Displacement Limitation (N)

Parts configuration



E103 465E

* Included in overhaul seal kit Q210

Generic housing used to show part location only.

Displacement limitation

Order code: N

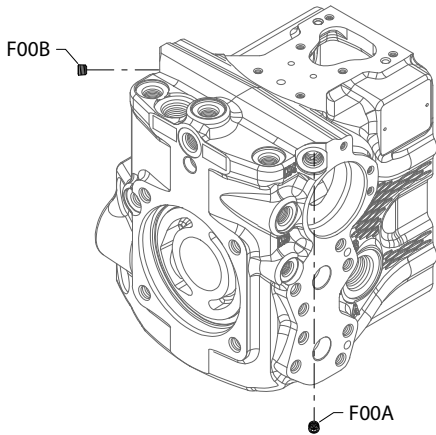
Item	Date Begin	Date End	Part Number	Part Name	Qty. per Model/Kit
E010	16-32		11152763	Locking plate	2
E020	16-32		508438	Screw, M6 x 12	2
E030	16-32		11154499	Servo piston guide rod	1
E040	16-32		11166190	Swashplate	1
E045	16-32		11154501	Roller bearing	2
E050	16-32		11160523	Bushing	1
E055	16-32		9004700-1508	Slotted pin	1
E060	16-32		11152843	Slider block	1
E065	16-32		508994	Screw, M6 x 35	1
E070	16-32		11149295	Swashplate feedback link	1
E100	16-32		11170117	Servo cylinder assembly	1
E110	16-32		9004104-1350	O-ring	2
E200	16-32		11170117	Servo cylinder assembly	1
E300	16-32		11170118	Servo piston assembly	1
E320	16-32		KA1A218	O-ring	2
E330	16-32		11154492	Piston ring	2

Orifice

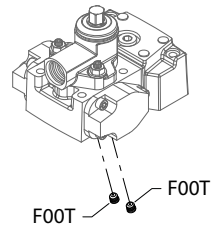
Orifice C1-E2

Parts configuration

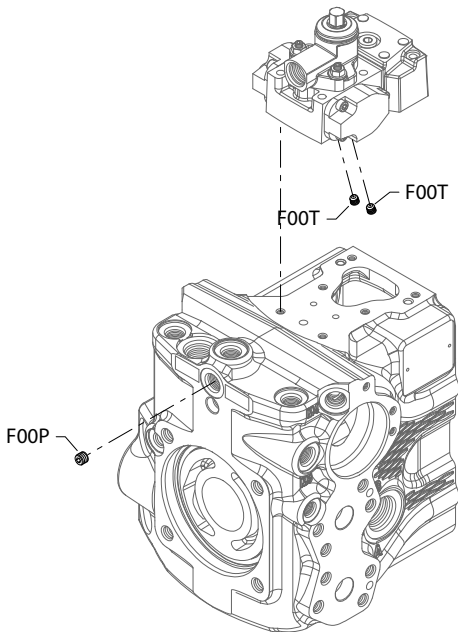
(C1, C2, C4)



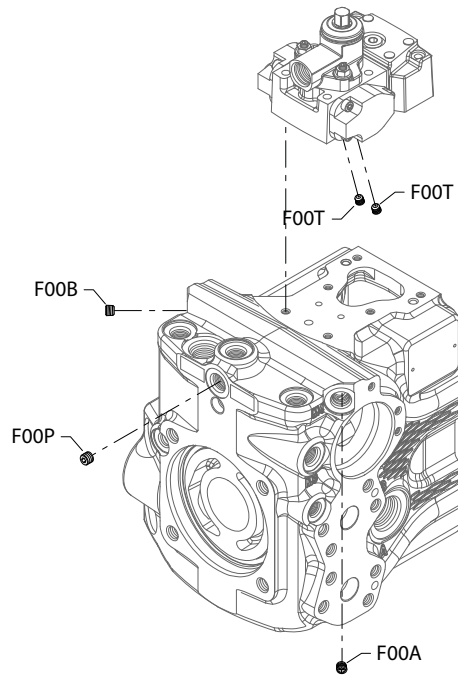
(C6, C7)



(C8, C9, D1, D2, D3)



(D4, D5, E2)



Generic housings and controls used to show part location only.

Orifice

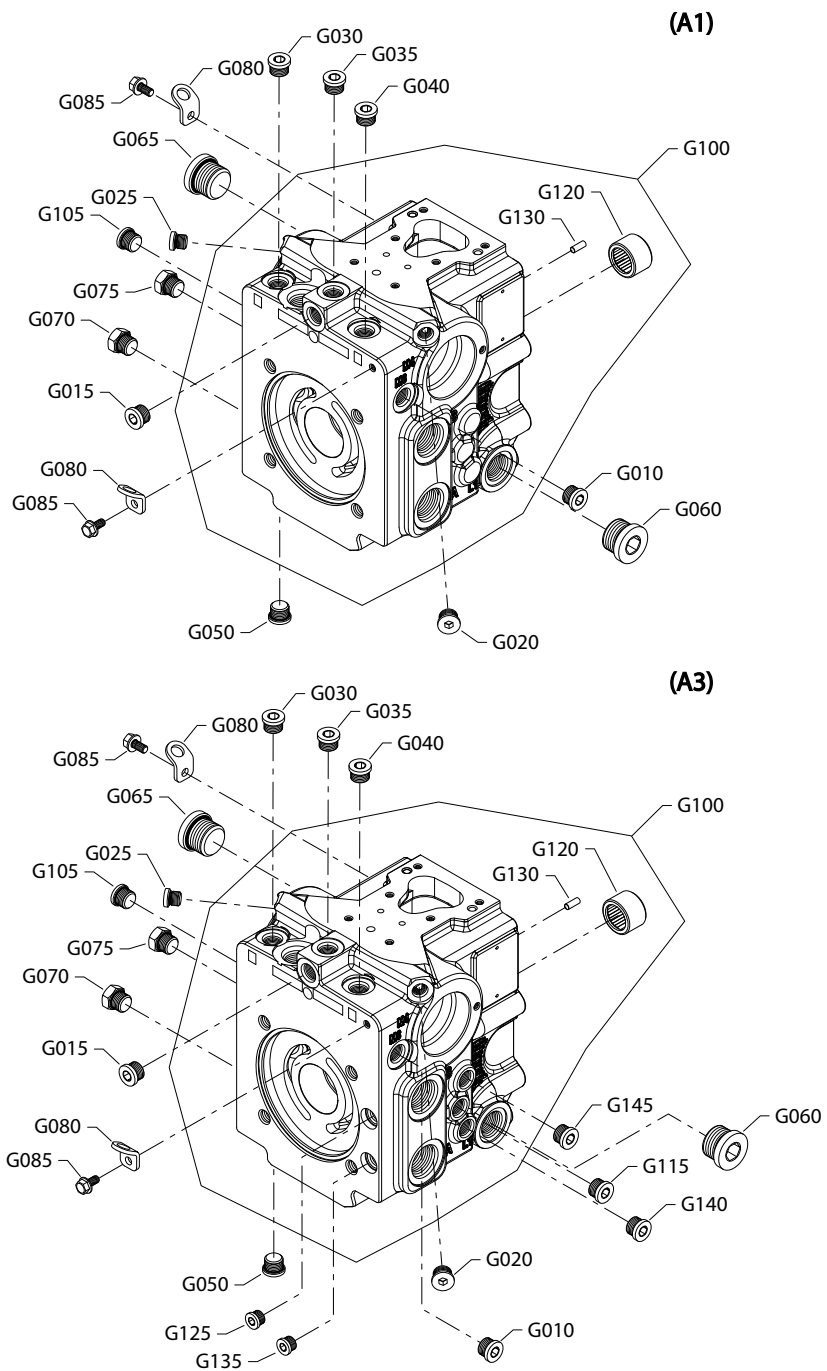
Order code: orifice C1-E2 parts

Order Code	Item	Date Begin	Date End	Part Number	Part Name	Qty. per Model/Kit
C1	F00A	16-32		11182692	Orifice, 0.8 mm	1
	F00B	16-32		11182692	Orifice, 0.8 mm	1
C2	F00A	16-32		11167433	Orifice, 1.3 mm	1
	F00B	16-32		11167433	Orifice, 1.3 mm	1
C3	None					
C4	F00A	16-32		11167421	Orifice, 1.0 mm	1
	F00B	16-32		11167421	Orifice, 1.0 mm	1
C6	F00T	16-32		11151734	Orifice, 1.0 mm, M6	2
C7	F00T	16-32		140754	Orifice, 1.3 mm, M6	2
C8	F00P	16-32		11177220	Orifice, 0.8 mm, 1/8-27	1
	F00T	16-32		11151733	Orifice, 0.6 mm, M6	2
C9	F00P	16-32		11160290	Orifice, 0.8 mm, 1/8-27	1
	F00T	16-32		11151733	Orifice, 0.6 mm, M6	2
D1	F00P	16-32		11160290	Orifice, 1.0 mm, 1/8-27	1
	F00T	16-32		140611	Orifice, 0.8 mm, M6	2
D2	F00P	16-32		11160291	Orifice, 1.3 mm, 1/8-27	1
	F00T	16-32		140611	Orifice, 0.8 mm, M6	2
D3	F00P	16-32		11160291	Orifice, 1.3 mm, 1/8-27	1
	F00T	16-32		11151734	Orifice, 1.0 mm, M6	2
D4	F00A	16-32		11167433	Orifice, 1.3 mm	1
	F00B	16-32		11167433	Orifice, 1.3 mm	1
	F00P	16-32		11160291	Orifice, 1.3 mm, 1/8-27	1
	F00T	16-32		11151734	Orifice, 1.0 mm, M6	2
D5	F00A	16-32		11182692	Orifice, 0.8 mm	1
	F00B	16-32		11182692	Orifice, 0.8 mm	1
	F00P	16-32		11176799	Orifice, 0.6 mm, 1/8-27	1
	F00T	16-32		11151733	Orifice, 0.6 mm, M6	2
E2	F00A	17-47		11182692	Orifice, 0.8 mm	1
	F00B	17-47		11182692	Orifice, 0.8 mm	1
	F00P	17-47		11160290	Orifice, 0.8 mm, 1/8-27	1
	F00T	17-47		140611	Orifice, 0.8 mm, M6	2

Porting type

Porting Type A1 and A3

Parts configuration



E103 460E

Porting type

Common parts

Item	Date Begin	Date End	Part Number	Part Name	Qty. per Model/Kit
G010	16-32		140644 (9005110-5600)	Plug assembly	1
G015	16-32		140644 (9005110-5600)	Plug assembly	1
G020	16-32		327007 (9005110-4400)	Plug assembly	1
G025	16-32		327007 (9005110-4400)	Plug assembly	1
G030	16-32		140644 (9005110-5600)	Plug assembly	1
G035	16-32		140644 (9005110-5600)	Plug assembly	1
G040	16-32		140644 (9005110-5600)	Plug assembly	1
G050	16-32		140644 (9005110-5600)	Plug assembly	1
G060	16-32		664524 (9005110-9000)	Plug assembly	1
G065	16-32		664524 (9005110-9000)	Plug assembly	1
G070	16-32		140644 (9005110-5600)	Plug assembly	1
G075	16-32		140644 (9005110-5600)	Plug assembly	1
G080	16-32		4800754	Lifting bracket	2
G085	16-32		508438	Screw, M6 x 12	2
G105	16-32		140644 (9005110-5600)	Plug assembly	1
G120	16-32		11060624	Needle bearing	1
G130	16-32		9004800-1908	Pin	1

Order code: A1

G100	16-32		11173902	Housing assembly	1
------	-------	--	----------	------------------	---

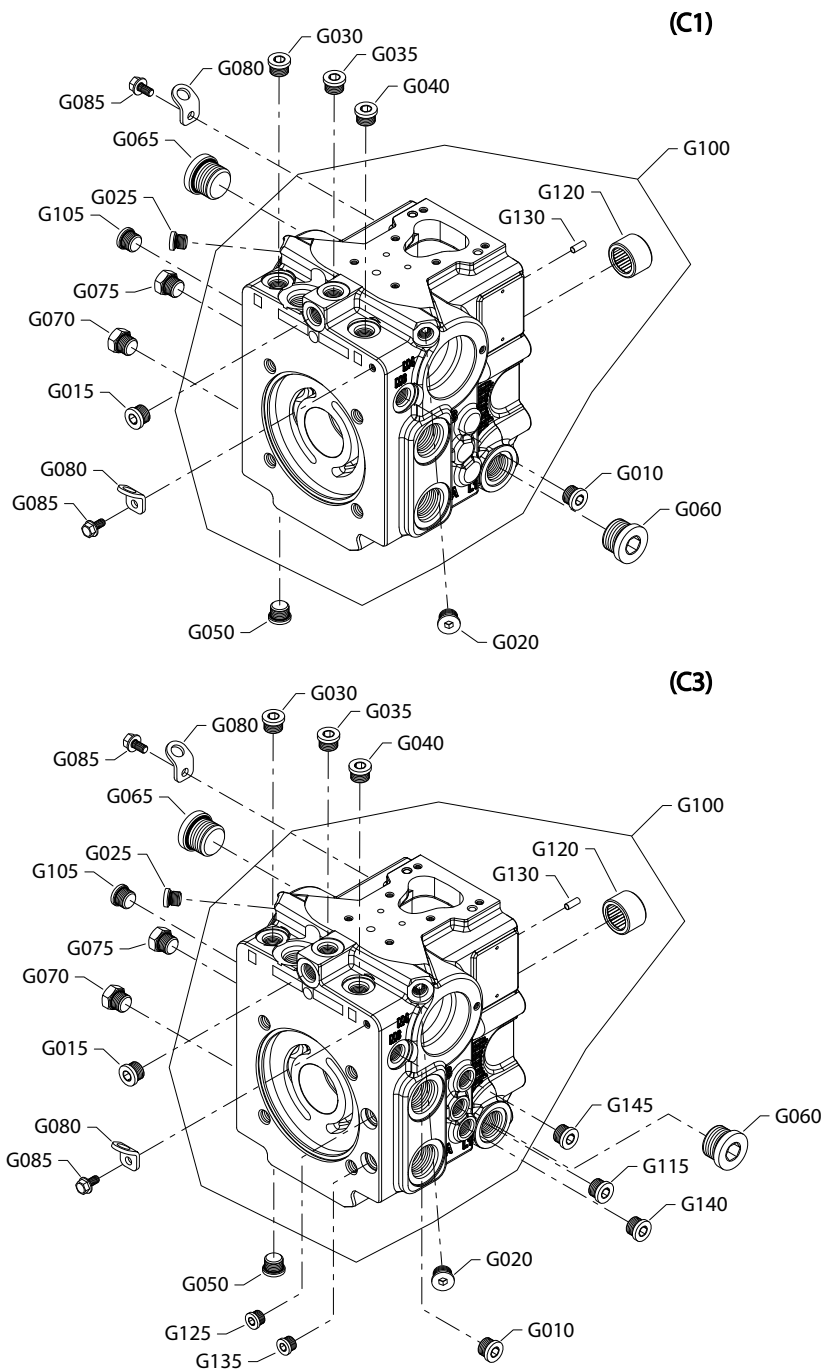
Order code: A3

G100	16-32		11170120	Housing assembly, loop flush	1
G115	16-32		140644 (9005110-5600)	Plug assembly	1
G125	16-32		327007 (9005110-4400)	Plug assembly	1
G135	16-32		327007 (9005110-4400)	Plug assembly	1
G140	16-32		140644 (9005110-5600)	Plug assembly	1
G145	16-32		140644 (9005110-5600)	Plug assembly	1

Porting type

Porting Type C1 and C3

Parts configuration



E103 460E.B

Porting type

Common parts

Item	Date Begin	Date End	Part Number	Part Name	Qty. per Model/Kit
G010	16-32		5000438	Plug assembly, M14	1
G015	16-32		5000438	Plug assembly, M14	1
G020	16-32		5000572	Plug assembly, M12	1
G025	16-32		5000572	Plug assembly, M12	1
G030	16-32		5000438	Plug assembly, M14	1
G035	16-32		5000438	Plug assembly, M14	1
G040	16-32		5000438	Plug assembly, M14	1
G050	16-32		5000438	Plug assembly, M14	1
G050	16-32		11134927	Plug assembly, M27	1
G065	16-32		11134927	Plug assembly, M27	1
G070	16-32		5000591	Plug assembly, M14	1
G075	16-32		5000591	Plug assembly, M14	1
G080	16-32		4800754	Lifting bracket	2
G085	16-32		508438	Screw, M6 x 12	2
G105	16-32		5000438	Plug assembly, M14	1
G120	16-32		11060624	Needle bearing	1
G130	16-32		9004800-1908	Pin	1

Order code: C1

G100	16-32		11173905	Housing assembly, metric	1
------	-------	--	----------	--------------------------	---

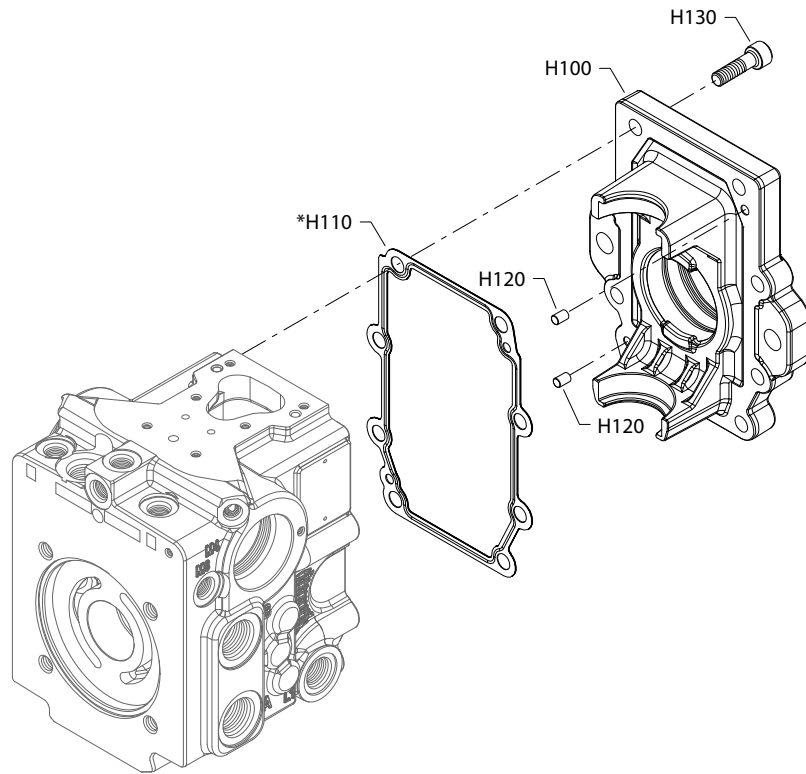
Order code: C3

G100	16-32		11173906	Housing assembly, loop flush, metric	1
G115	16-32		5000438	Plug assembly, M14	1
G125	16-32		5000572	Plug assembly, M12	1
G135	16-32		5000572	Plug assembly, M12	1
G140	16-32		5000438	Plug assembly, M14	1
G145	16-32		5000438	Plug assembly, M14	1

Mounting flange

Mounting Flange F

Parts configuration



* Included in overhaul seal kit Q210

Generic housing used to show part location only.

Mounting flange

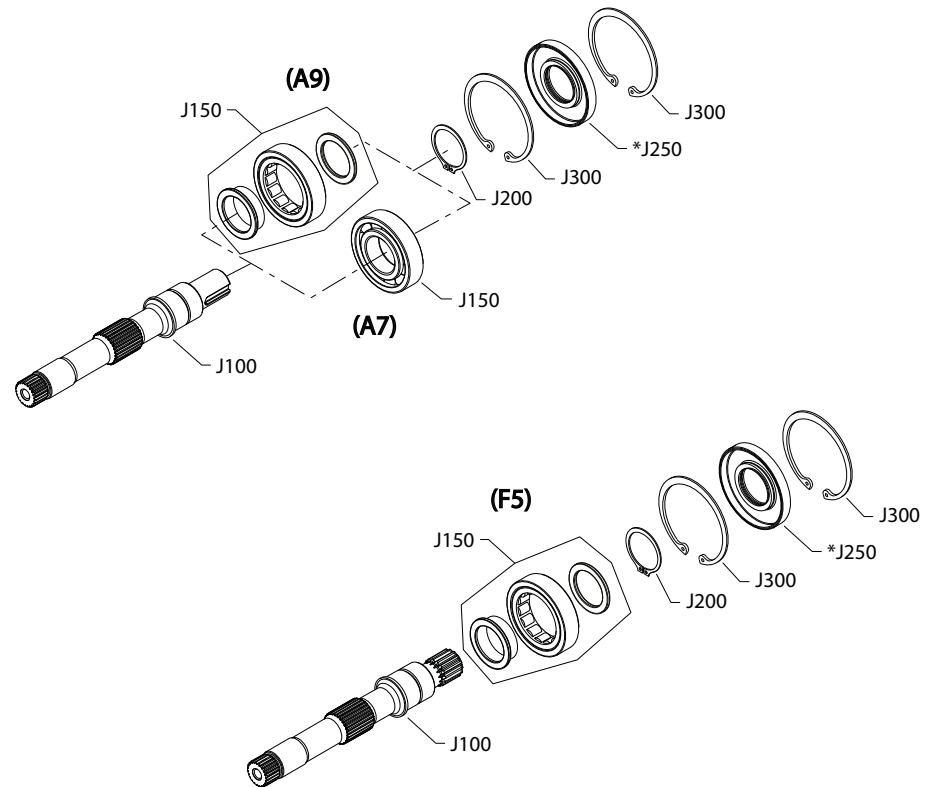
Order code: F

Item	Date Begin	Date End	Part Number	Part Name	Qty. per Model/Kit
H100	16-32		11152569	Front cover	1
H110	16-32		11154506	Front cover seal gasket	1
H120	16-32		9004800-2506	Pin	2
H130	16-32		11181754	Screw, M10 x 35, special	8

Shaft

Shaft A7, A9, and F5

Parts configuration



* Included in overhaul seal kit Q210

Shaft

Order code: A7

Item	Date Begin	Date End	Part Number	Part Name	Qty. per Model/Kit
J100	16-32		11161878	Shaft, straight key	1
J150	16-32		11165488	Ball bearing	1
J200	16-32		5000098	Retaining ring	1
J250	16-32		11165487	Lip seal	1
J300	16-32		FBE062	Retaining ring	2

Order code: A9

J100	16-32		11161878	Shaft, straight key	1
J150	16-32		11116439	Roller bearing	1
J200	16-32		5000098	Retaining ring	1
J250	16-32		11165487	Lip seal	1
J300	16-32		FBE062	Retaining ring	2

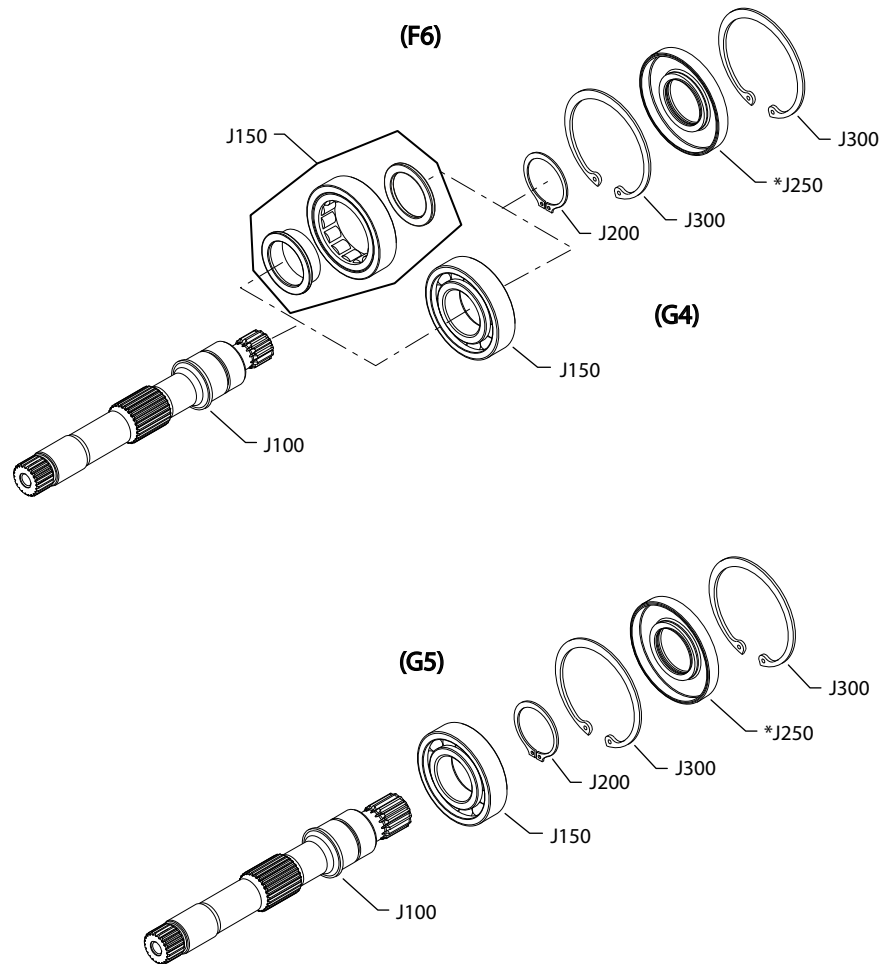
Order code: F5

J100	16-32		11152017	Shaft, 15 tooth	1
J150	16-32		11116439	Roller bearing	1
J200	16-32		5000098	Retaining ring	1
J250	16-32		11165487	Lip seal	1
J300	16-32		FBE062	Retaining ring	2

Shaft

Shaft F6, G4, and G5

Parts configuration



* Included in overhaul seal kit Q210

Shaft

Common parts

Item	Date Begin	Date End	Part Number	Part Name	Qty. per Model/Kit
J200	16-32		5000098	Retaining ring	1
J250	16-32		11165487	Lip seal	1
J300	16-32		FBE062	Retaining ring	2

Order code: F6

J100	16-32		11152016	Shaft, 13 tooth	1
J150	16-32		11116439	Roller bearing	1

Order code: G4

J100	16-32		11152016	Shaft, 13 tooth	1
J150	16-32		11165488	Ball bearing	1

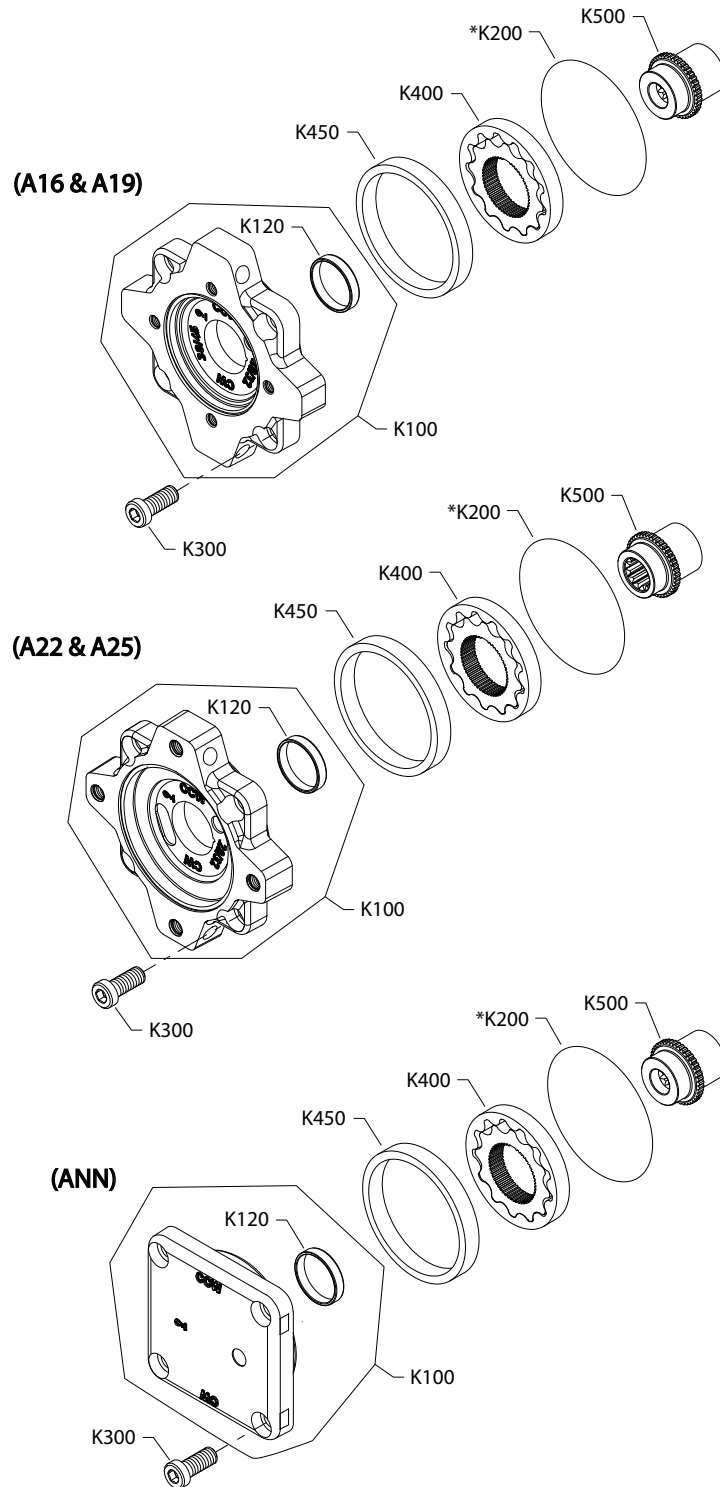
Order code: G5

J100	16-32		11152017	Shaft, 15 tooth	1
J150	16-32		11165488	Ball bearing	1

Auxiliary mounting

Aux Mounting A16-ANN

Parts configuration



* Included in overhaul seal kit Q210

Auxiliary mounting

Common parts

Item	Date Begin	Date End	Part Number	Part Name	Qty. per Model/Kit
K120	16-32		11189476	Journal bearing	1
K200	16-32		KA1B244	O-ring	1
K300	16-32		11000819	Screw, M12 x 25	4
K400	16-32		11155777	Gerotor assembly, 9cc	1
K450	16-32		11171571	Gerotor ring, 9cc	1

Order code: A16

K100	16-32		11166265	Adaptor assembly, A pad, 9cc	1
K500	16-32		11163482	Coupling, 9 tooth	1

Order code: A19

K100	16-32		11166265	Adaptor assembly, A pad, 9cc	1
K500	16-32		11163483	Coupling, 11 tooth	1

Order code: A22

K100	16-32		11174055	Adaptor assembly, B pad, 9cc	1
K500	16-32		11163484	Coupling, 13 tooth	1

Order code: A25

No parts					
----------	--	--	--	--	--

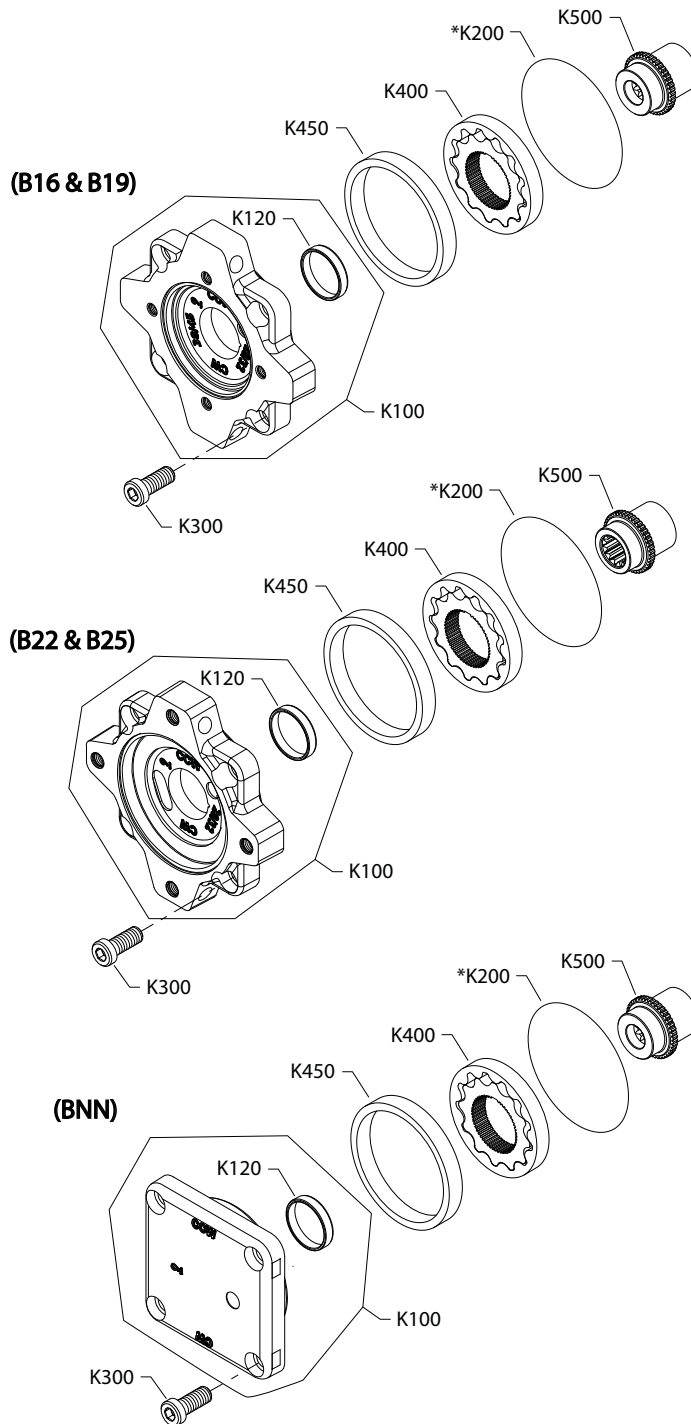
Order code: ANN

K100	16-32		11166271	Charge pump cover assembly, 9cc	1
K500	16-32		11163482	Coupling, 9 tooth	1

Auxiliary mounting

Aux Mounting B16-BNN

Parts configuration



* Included in overhaul seal kit Q210

Auxiliary mounting

Common parts

Item	Date Begin	Date End	Part Number	Part Name	Qty. per Model/Kit
K120	16-32		11189476	Journal bearing	1
K200	16-32		KA1B244	O-ring	1
K300	16-32		11000819	Screw, M12 x 25	4
K400	16-32		11155777	Gerotor assembly, 9cc	1
K450	16-32		11171571	Gerotor ring, 9cc	1

Order code: B16

K100	16-32		11166265	Adaptor assembly, A pad, 9cc	1
K500	16-32		11163482	Coupling, 9 tooth	1

Order code: B19

K100	16-32		11166265	Adaptor assembly, A pad, 9cc	1
K500	16-32		11163483	Coupling, 11 tooth	1

Order code: B22

K100	16-32		11174055	Adaptor assembly, B pad, 9cc	1
K500	16-32		11163484	Coupling, 13 tooth	1

Order code: B25

No parts					
----------	--	--	--	--	--

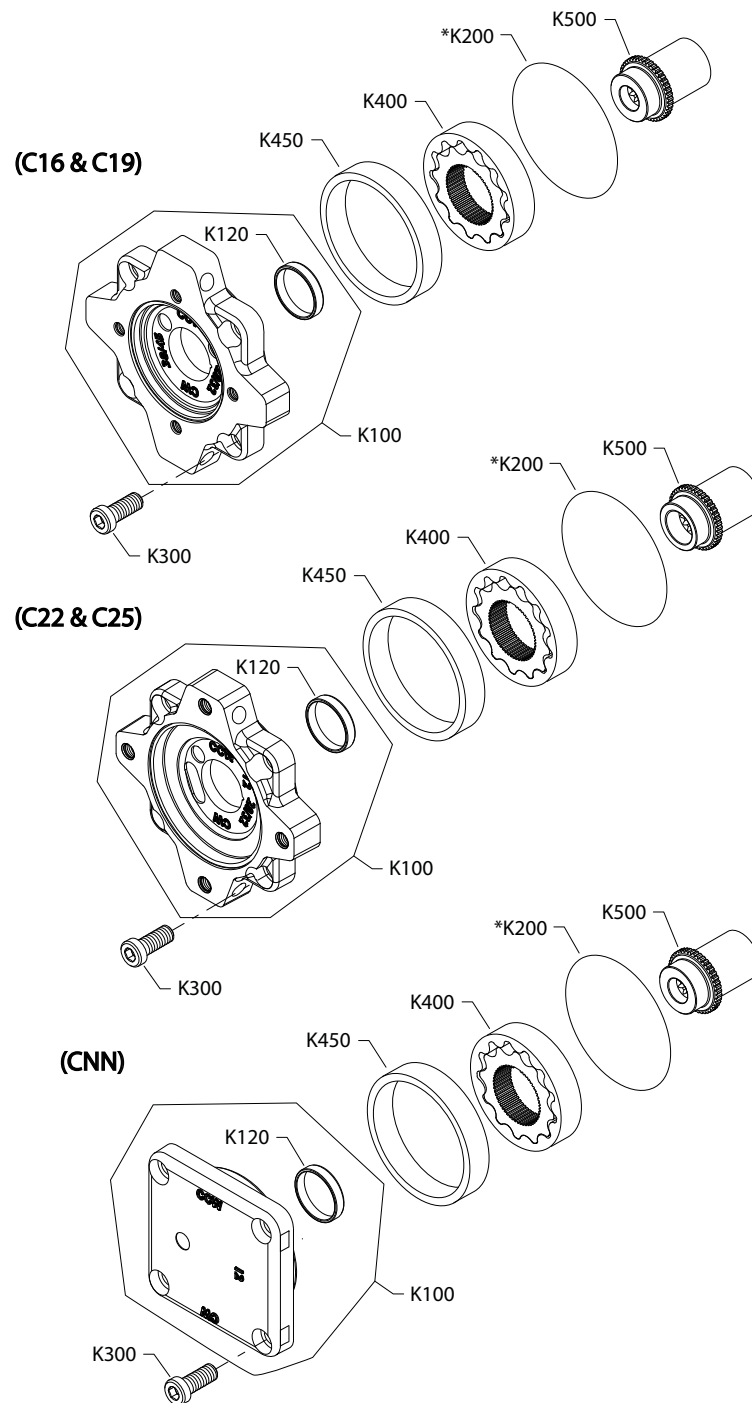
Order code: BNN

K100	16-32		11166271	Charge pump cover assembly, 9cc	1
K500	16-32		11163482	Coupling, 9 tooth	1

Auxiliary mounting

Aux Mounting C16-CNN

Parts configuration



* Included in overhaul seal kit Q210

Auxiliary mounting

Common parts

Item	Date Begin	Date End	Part Number	Part Name	Qty. per Model/Kit
K120	16-32		11189476	Journal bearing	1
K200	16-32		KA1B244	O-ring	1
K300	16-32		11000819	Screw, M12 x 25	4
K400	16-32		11077232	Gerotor assembly, 12cc	1
K450	16-32		141595	Gerotor ring, 12cc	1

Order code: C16

K100	16-32		11166272	Adaptor assembly, A pad, 12cc	1
K500	16-32		11163482	Coupling, 9 tooth	1

Order code: C19

K100	16-32		11166272	Adaptor assembly, A pad, 12cc	1
K500	16-32		11163483	Coupling, 11 tooth	1

Order code: C22

K100	16-32		11174068	Adaptor assembly, B pad, 12cc	1
K500	16-32		11163484	Coupling, 13 tooth	1

Order code: C25

No parts					
----------	--	--	--	--	--

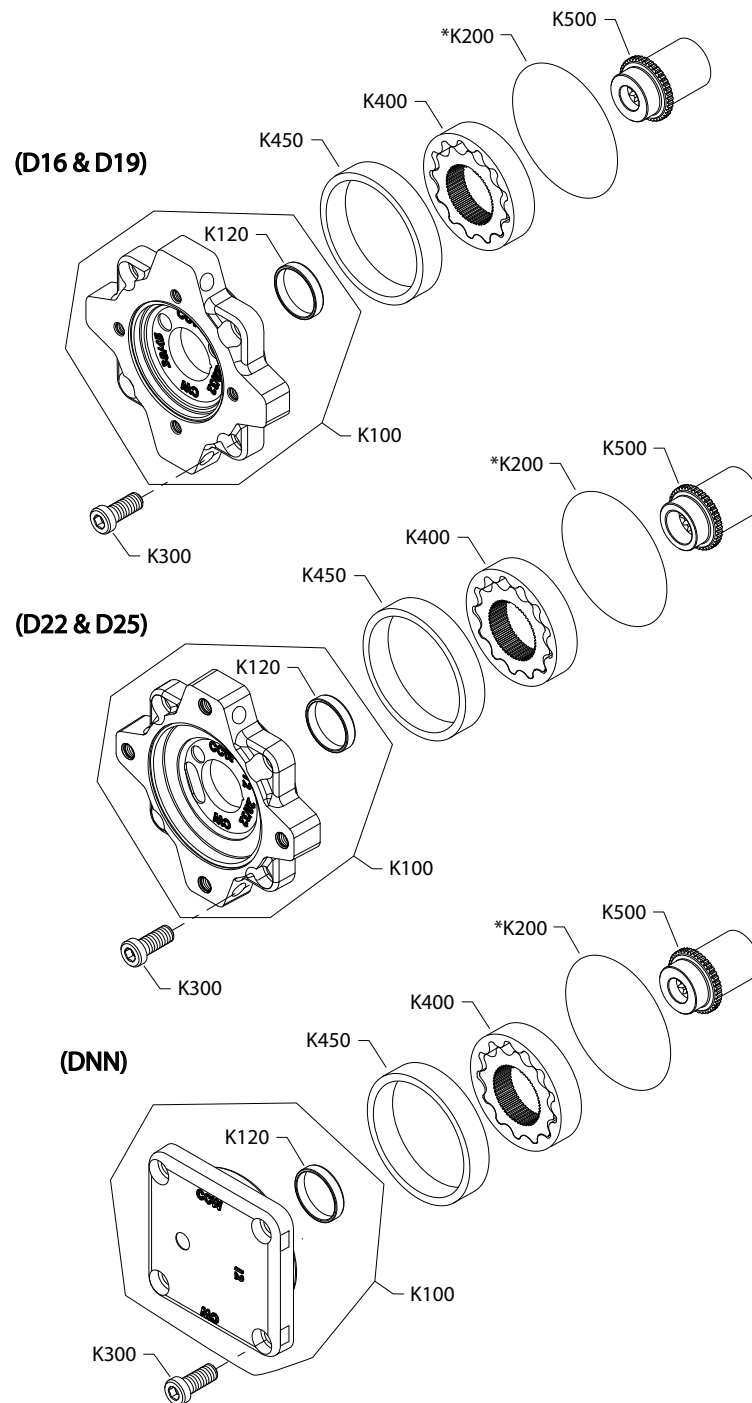
Order code: CNN

K100	16-32		11166274	Charge pump cover assembly, 12cc	1
K500	16-32		11163482	Coupling, 9 tooth	1

Auxiliary mounting

Aux Mounting D16-DNN

Parts configuration



* Included in overhaul seal kit Q210

Auxiliary mounting

Common parts

Item	Date Begin	Date End	Part Number	Part Name	Qty. per Model/Kit
K120	16-32		11189476	Journal bearing	1
K200	16-32		KA1B244	O-ring	1
K300	16-32		11000819	Screw, M12 x 25	4
K400	16-32		11077232	Gerotor assembly, 12cc	1
K450	16-32		141595	Gerotor ring, 12cc	1

Order code: D16

K100	16-32		11166272	Adaptor assembly, A pad, 12cc	1
K500	16-32		11163482	Coupling, 9 tooth	1

Order code: D19

K100	16-32		11166272	Adaptor assembly, A pad, 12cc	1
K500	16-32		11163483	Coupling, 11 tooth	1

Order code: D22

K100	16-32		11174068	Adaptor assembly, B pad, 12cc	1
K500	16-32		11163484	Coupling, 13 tooth	1

Order code: D25

No parts					
----------	--	--	--	--	--

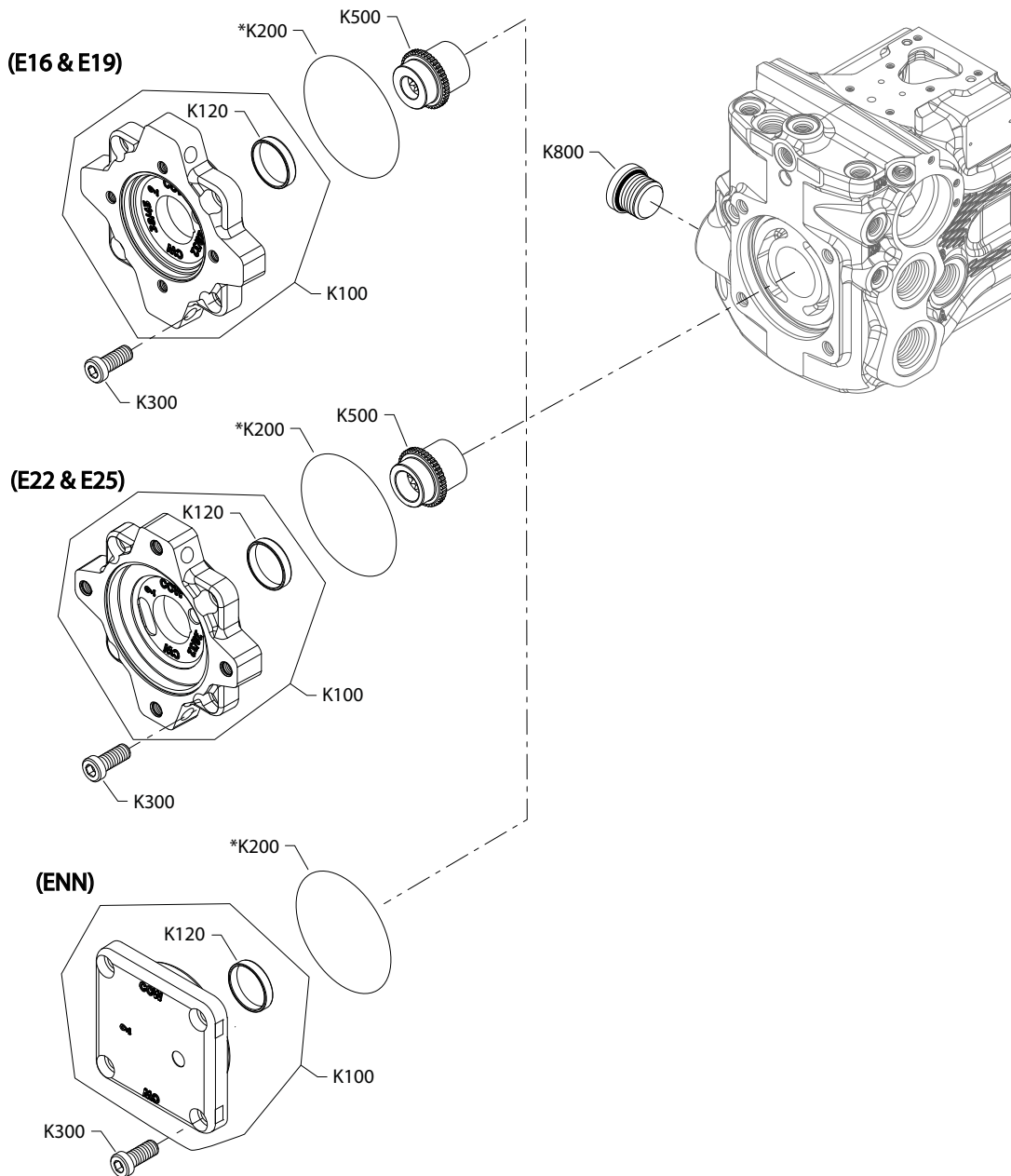
Order code: DNN

K100	16-32		11166274	Charge pump cover assembly, 12cc	1
K500	16-32		11163482	Coupling, 9 tooth	1

Auxiliary mounting

Aux Mounting E16-ENN

Parts configuration



* Included in overhaul seal kit Q210

Generic housing used to show part location only.

Auxiliary mounting

Common parts

Item	Date Begin	Date End	Part Number	Part Name	Qty. per Model/Kit
K120	16-32		11189476	Journal bearing	1
K200	16-32		KA1B244	O-ring	1
K300	16-32		11000819	Screw, M12 x 25	4
K800	16-32		664524 (9005110-9000)	Plug assembly	1

Order code: E16

K100	16-32		11166265	Adaptor assembly, A pad, 9cc	1
K500	16-32		11163482	Coupling, 9 tooth	1

Order code: E19

K100	16-32		11166265	Adaptor assembly, A pad, 9cc	1
K500	16-32		11163483	Coupling, 11 tooth	1

Order code: E22

K100	16-32		11174055	Adaptor assembly, B pad, 9cc	1
K500	16-32		11163484	Coupling, 13 tooth	1

Order code: E25

No parts					
----------	--	--	--	--	--

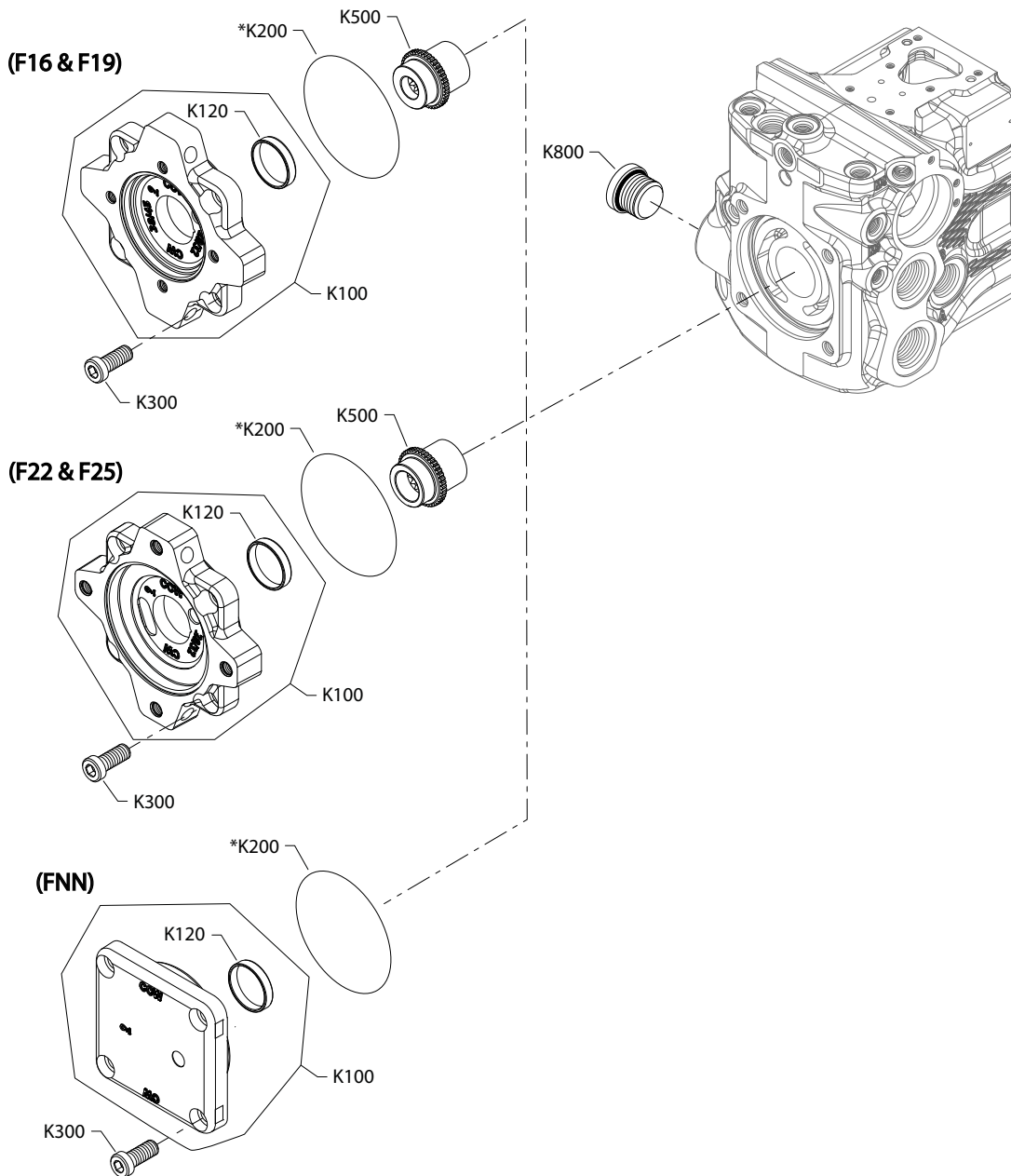
Order code: ENN

K100	16-32		11166271	Charge pump cover assembly, 9cc	1
------	-------	--	----------	---------------------------------	---

Auxiliary mounting

Aux Mounting F16-FNN

Parts configuration



* Included in overhaul seal kit Q210

Generic housing used to show part location only.

Auxiliary mounting

Common parts

Item	Date Begin	Date End	Part Number	Part Name	Qty. per Model/Kit
K120	16-32		11189476	Journal bearing	1
K200	16-32		KA1B244	O-ring	1
K300	16-32		11000819	Screw, M12 x 25	4
K800	16-32		11134927	Plug assembly, M27	1

Order code: F16

K100	16-32		11166265	Adaptor assembly, A pad, 9cc	1
K500	16-32		11163482	Coupling, 9 tooth	1

Order code: F19

K100	16-32		11166265	Adaptor assembly, A pad, 9cc	1
K500	16-32		11163483	Coupling, 11 tooth	1

Order code: F22

K100	16-32		11174055	Adaptor assembly, B pad, 9cc	1
K500	16-32		11163484	Coupling, 13 tooth	1

Order code: F25

No parts					
----------	--	--	--	--	--

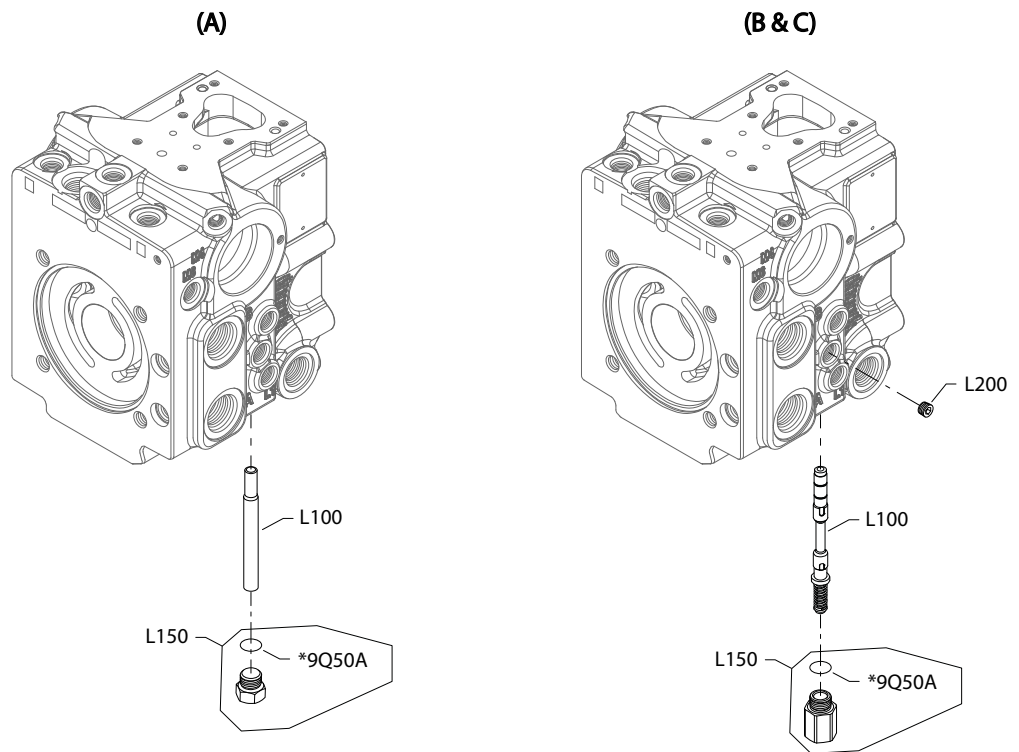
Order code: FNN

K100	16-32		11166271	Charge pump cover assembly, 9cc	1
------	-------	--	----------	---------------------------------	---

Loop flushing

Loop flushing A-C

Parts configuration



* Included in overhaul seal kit Q210

Generic housing used to show part location only.

Loop flushing

Order code: A

Item	Date Begin	Date End	Part Number	Part Name	Qty. per Model/Kit
L100	16-32		1735242	Loop flushing spool, defeated	1
L150	16-32		046151 (9005100-5600)	Plug assembly	1
9Q50A	16-32		085043 (9004201-3700)	O-ring	1

Order code: B

L100	16-32		11060694	Loop flushing spool assembly	1
L150	16-32		4800279	Plug assembly	1
L200	16-32		11182693	Orifice, 1.6mm	1
9Q50A	16-32		085043 (9004201-3700)	O-ring	1

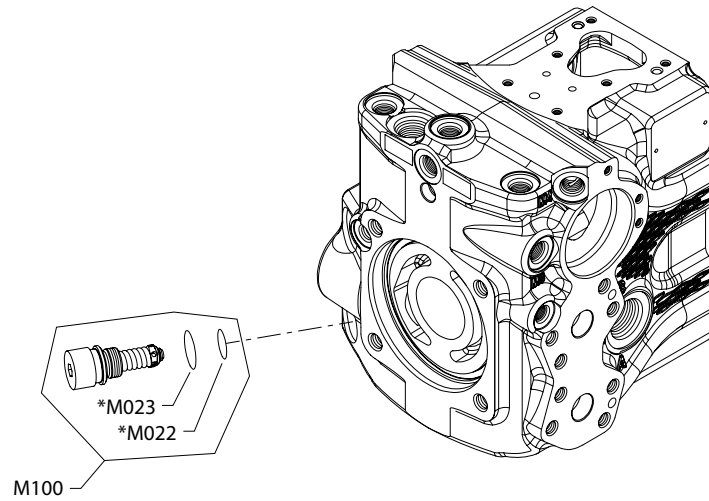
Order code: C

L100	16-32		11060694	Loop flushing spool assembly	1
L150	16-32		4800279	Plug assembly	1
L200	16-32		11182694	Orifice, 1.9mm	1
9Q50A	16-32		085043 (9004201-3700)	O-ring	1

System protection

System protections port A (140-385)

Parts configuration



* Included in overhaul seal kit Q210

Generic housing used to show part location only.

System protection

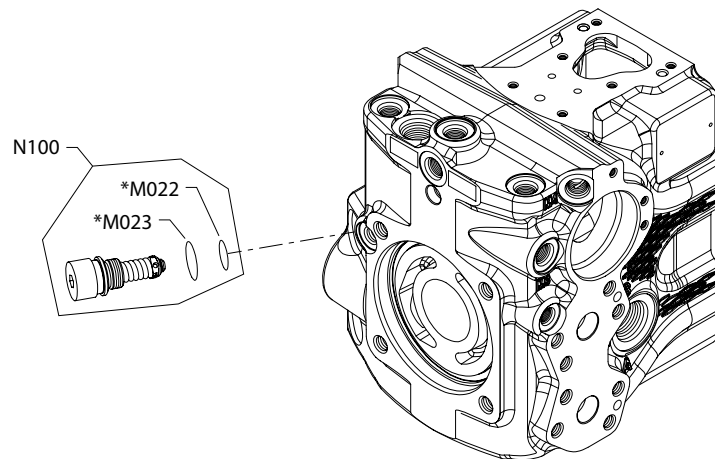
Order code: 140-385 parts

Order code	Item	Date Begin	Date End	Part Number	Part Name	Qty. per Model/Kit
all	M022	16-32		001131 (9004201-5000)	O-ring	1
	M023	16-32		9004100-2110	O-ring	1
140	M100	16-32		4350635	SCR valve assembly, 140 bar [2030 psi]	1
175	M100	16-32		4350643	SCR valve assembly, 175 bar [2538 psi]	1
190	M100	16-32		4350642	SCR valve assembly, 190 bar [2755 psi]	1
210	M100	16-32		4350641	SCR valve assembly, 210 bar [3045 psi]	1
230	M100	16-32		4350640	SCR valve assembly, 230 bar [3335 psi]	1
250	M100	16-32		4350639	SCR valve assembly, 250 bar [3625 psi]	1
260	M100	16-32		4350644	SCR valve assembly, 260 bar [3770 psi]	1
280	M100	16-32		4350638	SCR valve assembly, 280 bar [4060 psi]	1
300	M100	16-32		4350637	SCR valve assembly, 300 bar [4350 psi]	1
325	M100	16-32		4350645	SCR valve assembly, 325 bar [4712 psi]	1
345	M100	16-32		4350636	SCR valve assembly, 345 bar [5000 psi]	1
360	M100	16-32		4440239	SCR valve assembly, 360 bar [5220 psi]	1
385	M100	16-32		4350694	SCR valve assembly, 385 bar [5580 psi]	1

System protection

System protections port B (140-385)

Parts configuration



* Included in overhaul seal kit Q210

Generic housing used to show part location only.

System protection

Order code: 140-385 parts

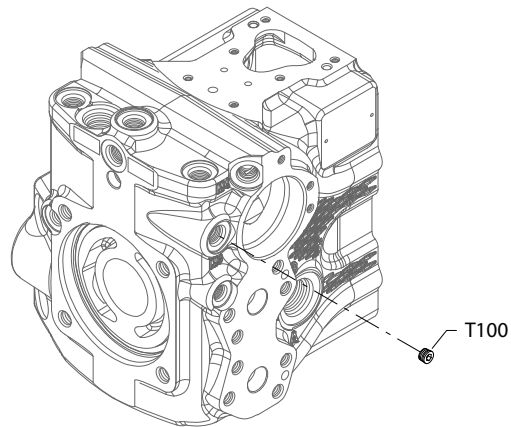
Order code	Item	Date Begin	Date End	Part Number	Part Name	Qty. per Model/Kit
all	M022	16-32		001131 (9004201-5000)	O-ring	1
	M023	16-32		9004100-2110	O-ring	1
140	N100	16-32		4350635	SCR valve assembly, 140 bar [2030 psi]	1
175	N100	16-32		4350643	SCR valve assembly, 175 bar [2538 psi]	1
190	N100	16-32		4350642	SCR valve assembly, 190 bar [2755 psi]	1
210	N100	16-32		4350641	SCR valve assembly, 210 bar [3045 psi]	1
230	N100	16-32		4350640	SCR valve assembly, 230 bar [3335 psi]	1
250	N100	16-32		4350639	SCR valve assembly, 250 bar [3625 psi]	1
260	N100	16-32		4350644	SCR valve assembly, 260 bar [3770 psi]	1
280	N100	16-32		4350638	SCR valve assembly, 280 bar [4060 psi]	1
300	N100	16-32		4350637	SCR valve assembly, 300 bar [4350 psi]	1
325	N100	16-32		4350645	SCR valve assembly, 325 bar [4712 psi]	1
345	N100	16-32		4350636	SCR valve assembly, 345 bar [5000 psi]	1
360	N100	16-32		4440239	SCR valve assembly, 360 bar [5220 psi]	1
385	N100	16-32		4350694	SCR valve assembly, 385 bar [5580 psi]	1

Filtration and charge pressure relief

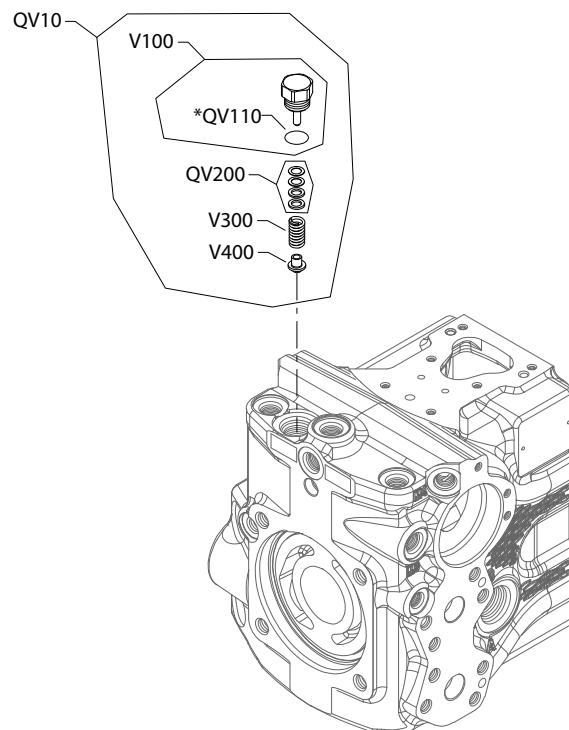
Filtration and charge pressure relief

Parts configuration

(E & R)



(10-28)



* Included in overhaul seal kit Q210

Generic housing used to show part location only.

Filtration and charge pressure relief

Order code: E and R

Item	Date Begin	Date End	Part Number	Part Name	Qty. per Model/Kit
T100	16-32		11151778	Pipe plug w/sealant	1

Order code: 10-12

QV10	16-32		11182130	Charge relief valve kit, 10-12 bar	1
QV110	16-32		001149 (9004201-6200)	O-ring	1
QV200	16-32		4510027	Shim kit	1
V100	16-32		4800308	Plug assembly	1
V300	16-32		4800714	Spring	1
V400	16-32		1200359	Poppet	1

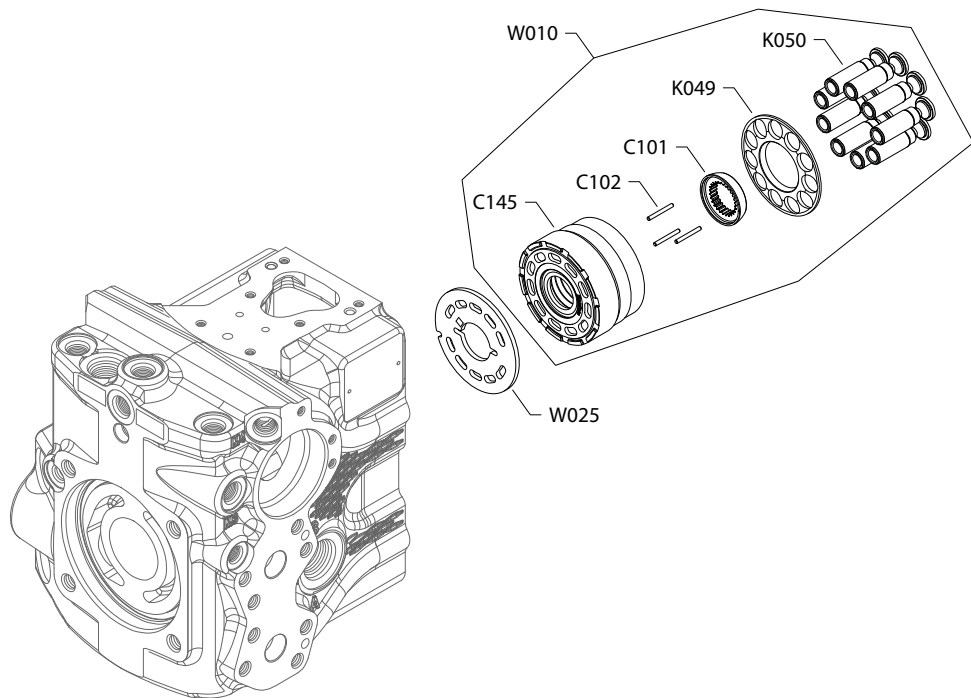
Order code: 14-28

QV10	16-32		4510402	Charge relief valve kit, 14-28 bar	1
QV110	16-32		001149 (9004201-6200)	O-ring	1
QV200	16-32		4510027	Shim kit	1
V100	16-32		4800308	Plug assembly	1
V300	16-32		4800176	Spring	1
V400	16-32		1200359	Poppet	1

Special hardware

Special hardware, LAC-LBD

Parts configuration



E103 455E

Generic housing and control used to show part location only.

Special hardware

Common parts

Item	Date Begin	Date End	Part Number	Part Name	Qty. per Model/Kit
C101	16-32		11151154	Slipper retainer guide	1
C102	16-32		11152764	Slipper hold down pin	3
K049	16-32		11151155	Slipper retainer	1

Order code: LAC

C145	16-32		11167007	Cylinder block assembly, 28cc	1
K050	16-32		11166936	Piston assembly, 28cc	9
W010	16-32		11167005	Cylinder block kit, 28cc	1
W025	16-32		11152373	Valve plate, CCW	1

Order code: LAD

C145	16-32		11167008	Cylinder block assembly, 32cc	1
K050	16-32		11166934	Piston assembly, 32cc	9
W010	16-32		11167006	Cylinder block kit, 32cc	1
W025	16-32		11152373	Valve plate, CCW	1

Order code: LBC

C145	17-37		11167007	Cylinder block assembly, 28cc	1
K050	17-37		11166936	Piston assembly, 28cc	9
W010	17-37		11167005	Cylinder block kit, 28cc	1
W025	17-37		11195936	Valve plate, CCW	1

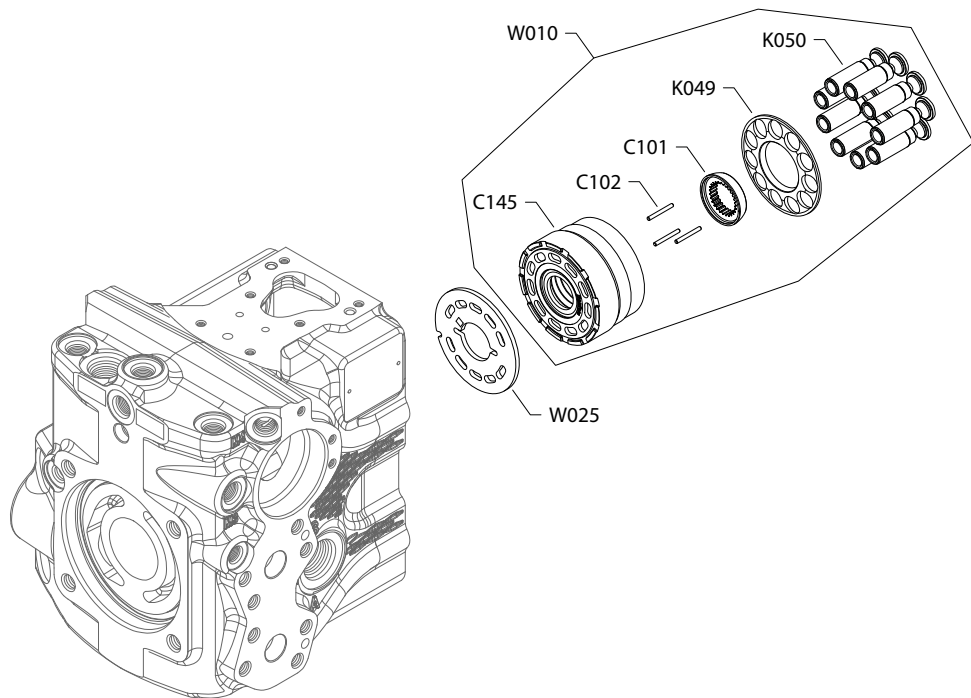
Order code: LBD

C145	17-37		11167008	Cylinder block assembly, 32cc	1
K050	17-37		11166934	Piston assembly, 32cc	9
W010	17-37		11167006	Cylinder block kit, 32cc	1
W025	17-37		11195936	Valve plate, CCW	1

Special hardware

Special hardware RAC-RBD

Parts configuration



E103 455E

Generic housing used to show part location only

Special hardware

Common parts

Item	Date Begin	Date End	Part Number	Part Name	Qty. per Model/Kit
C101	16-32		11151154	Slipper retainer guide	1
C102	16-32		11152764	Slipper hold down pin	3
K049	16-32		11151155	Slipper retainer	1

Order code: RAC

C145	16-32		11167007	Cylinder block assembly, 28cc	1
K050	16-32		11166936	Piston assembly, 28cc	9
W010	16-32		11167005	Cylinder block kit, 28cc	1
W025	16-32		11152372	Valve plate, CW	1

Order code: RAD

C145	16-32		11167008	Cylinder block assembly, 32cc	1
K050	16-32		11166934	Piston assembly, 32cc	9
W010	16-32		11167006	Cylinder block kit, 32cc	1
W025	16-32		11152372	Valve plate, CW	1

Order code: RBC

C145	17-37		11167007	Cylinder block assembly, 28cc	1
K050	17-37		11166936	Piston assembly, 28cc	9
W010	17-37		11167005	Cylinder block kit, 28cc	1
W025	17-37		11195100	Valve plate, CW	1

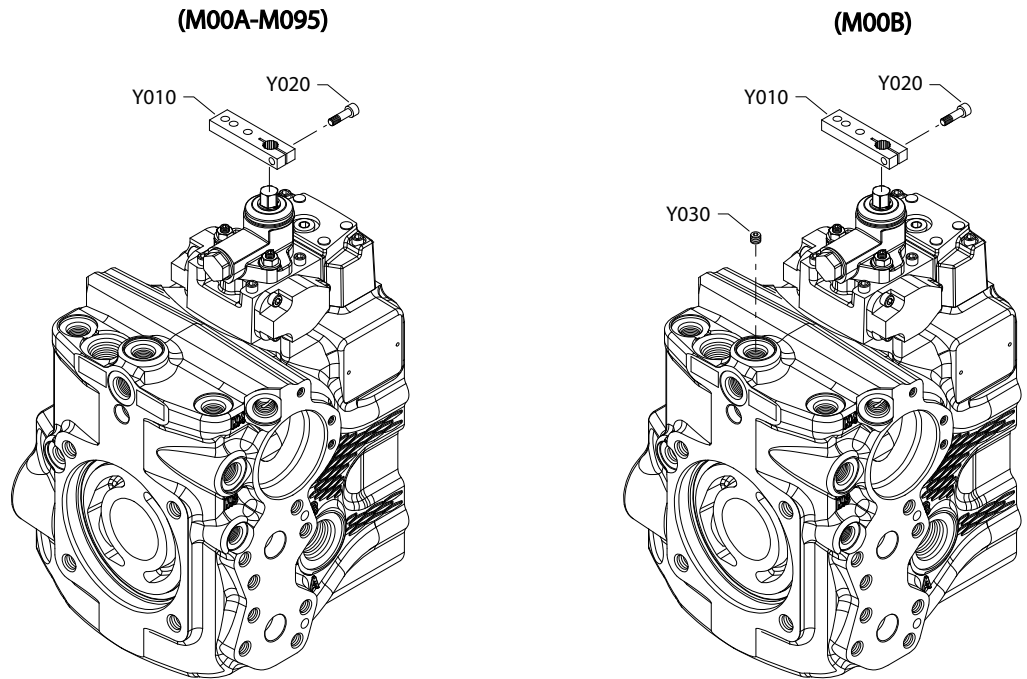
Order code: RBD

C145	17-37		11167008	Cylinder block assembly, 32cc	1
K050	17-37		11166934	Piston assembly, 32cc	9
W010	17-37		11167006	Cylinder block kit, 32cc	1
W025	17-37		11195100	Valve plate, CW	1

Settings

Settings M00A-M095

Parts configuration



Generic housing and control used to show part location only.

Settings

Settings parts list

Order code	Item	Date Begin	Date End	Part Number	Part Name	Qty. per Model/Kit
M00A	Y010	16-32		11185938	Control handle (SB-2018-024 on page 79)	1
	Y020	16-32		11173701	Screw, M6 x 20	1
M00B	Y010	16-32		11185938	Control handle (SB-2018-024 on page 79)	1
	Y020	16-32		11173701	Screw, M6 x 20	1
	Y030	16-32		11151778	Pipe plug	1
M080	Y010	16-32		11185938	Control handle (SB-2018-024 on page 79)	1
	Y020	16-32		11173701	Screw, M6 x 20	1
M085	Y010	16-32		11185938	Control handle (SB-2018-024 on page 79)	1
	Y020	16-32		11173701	Screw, M6 x 20	1
M090	Y010	16-32		11185938	Control handle (SB-2018-024 on page 79)	1
	Y020	16-32		11173701	Screw, M6 x 20	1
M095	Y010	16-32		11185938	Control handle (SB-2018-024 on page 79)	1
	Y020	16-32		11173701	Screw, M6 x 20	1

Overhaul seal kit

MP1 28/32cc seal kit

Item	Date Begin	Date End	Part Number	Part Name	Qty. per Model/Kit
Q210	16--32		11173507	Overhaul seal kit	1
9Q50A	16--32		085043 (9004201-3700)	O-ring	1
D060	16--32		612291 (9003508-0008)	Seal nut, M8	1
D150	16--32		11173377	Control gasket	1
E080	16--32		505412 (9003509-0008)	Seal nut, M8	1
E090	16--32		505412 (9003509-0008)	Seal nut, M8	1
E110	16--32		9004104-1350	O-ring	2
E320	16--32		KA1A218	O-ring	2
E330	16--32		11154492	Piston seal ring	2
H110	16--32		11154506	Front cover seal gasket	1
J250	16--32		11165487	Lip seal	1
K200	16--32		9004100-2400	O-ring	1
M022	16--32		001131 (9004201-5000)	O-ring	2
M023	16--32		9004100-2110	O-ring	2
QD26	16--32		11001952	O-ring	2
QD751	16--32		001131 (9004201-5000)	O-ring	1
QD81	16--32		11152257	O-ring	1
QV110	16--32		001149 (9004201-6200)	O-ring	1

Service bulletin

SB-2018-024

Products affected

MP1 controls

Subject

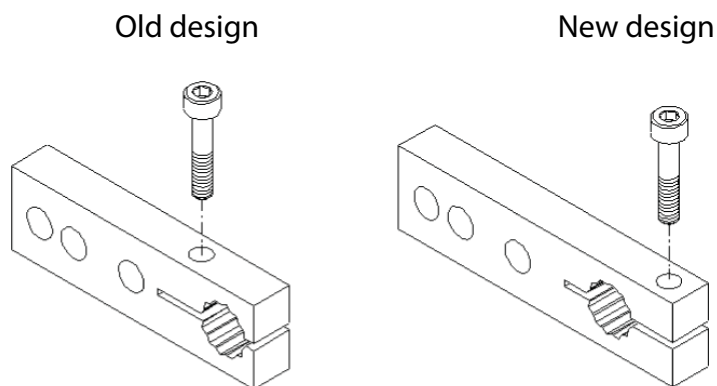
Manual displacement control design change

Description

Danfoss has changed the control handle design on all manual displacement controls used on 28/32cc and 38/45cc MP1 pumps as a product improvement.

The tension screw location has been moved to the outer edge of the part to increase the clamping capacity onto the shaft.

The new part is interchangeable with the old part, but the old part is not interchangeable with the new part due to the clamp load of the part to the shaft.



Models affected

MP1 28/32cc and 38/45cc pumps

Serial numbers affected

This change became effective at February 28, 2018 (A-18-09-xxxxx)

Part numbers affected

Description	Old part number	New part number
Handle	11113513	11185938

Parts disposition

Non-interchangeable (because of clamp load)

Products we offer:

- Bent Axis Motors
- Closed Circuit Axial Piston Pumps and Motors
- Displays
- Electrohydraulic Power Steering
- Electrohydraulics
- Hydraulic Power Steering
- Integrated Systems
- Joysticks and Control Handles
- Microcontrollers and Software
- Open Circuit Axial Piston Pumps
- Orbital Motors
- PLUS+1® GUIDE
- Proportional Valves
- Sensors
- Steering
- Transit Mixer Drives

Danfoss Power Solutions is a global manufacturer and supplier of high-quality hydraulic and electronic components. We specialize in providing state-of-the-art technology and solutions that excel in the harsh operating conditions of the mobile off-highway market. Building on our extensive applications expertise, we work closely with our customers to ensure exceptional performance for a broad range of off-highway vehicles.

We help OEMs around the world speed up system development, reduce costs and bring vehicles to market faster.

Danfoss – Your Strongest Partner in Mobile Hydraulics.

Go to www.powersolutions.danfoss.com for further product information.

Wherever off-highway vehicles are at work, so is Danfoss. We offer expert worldwide support for our customers, ensuring the best possible solutions for outstanding performance. And with an extensive network of Global Service Partners, we also provide comprehensive global service for all of our components.

Please contact the Danfoss Power Solution representative nearest you.

Comatrol

www.comatrol.com

Turolla

www.turollaocg.com

Hydro-Gear

www.hydro-gear.com

Daikin-Sauer-Danfoss

www.daikin-sauer-danfoss.com

Local address:

Danfoss Power Solutions (US) Company
2800 East 13th Street
Ames, IA 50010, USA
Phone: +1 515 239 6000

Danfoss Power Solutions GmbH & Co. OHG
Krokamp 35
D-24539 Neumünster, Germany
Phone: +49 4321 871 0

Danfoss Power Solutions ApS
Nordborgvej 81
DK-6430 Nordborg, Denmark
Phone: +45 7488 2222

Danfoss Power Solutions Trading (Shanghai) Co., Ltd.
Building #22, No. 1000 Jin Hai Rd
Jin Qiao, Pudong New District
Shanghai, China 201206
Phone: +86 21 3418 5200

Danfoss can accept no responsibility for possible errors in catalogues, brochures and other printed material. Danfoss reserves the right to alter its products without notice. This also applies to products already on order provided that such alterations can be made without changes being necessary in specifications already agreed. All trademarks in this material are property of the respective companies. Danfoss and the Danfoss logotype are trademarks of Danfoss A/S. All rights reserved.