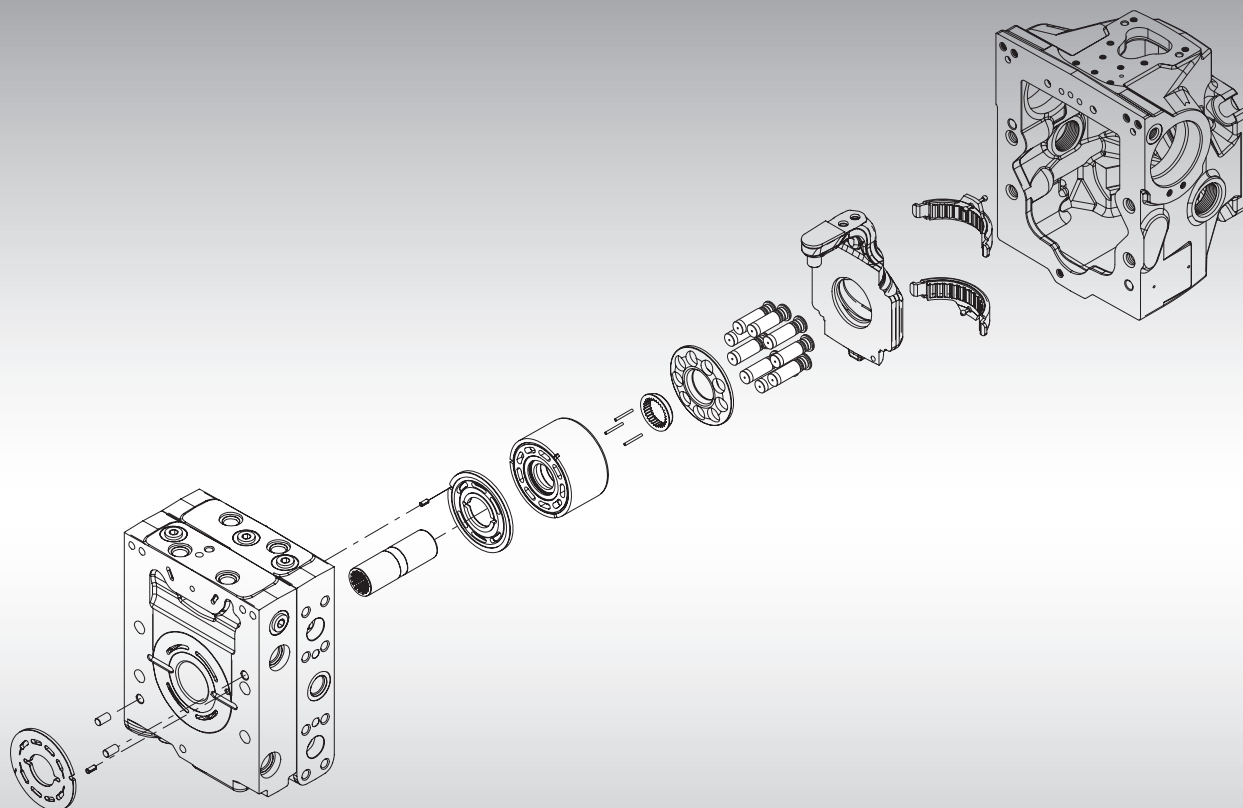




Parts Manual

H1T 60 & 68cc

Variable Displacement Tandem Pump







Contents

General Information	Service parts identification	4
	Nameplate	4
	Date code	5
	Service bulletins.....	5
	Procedure to identify a part.....	5
	Adobe Acrobat 2-page viewing.....	6
	Order code	7
Variable displacement pump	Common parts	8-9
	Special hardware	8-11
	Rear displacement	12-13
	Control.....	14-49
	Displacement limitation	50-53
	Orifice	54-57
	Centersection.....	58-71
	Housing.....	72-73
	Shaft	72-73
	Auxiliary mounting	74-75
	High pressure protection	76-99
	Charge pump.....	100-101
	Filtration.....	100-101
	Charge pressure setting.....	100-101
	Overhaul seal kit	102



General information

Service parts identification

The following information and procedure is used to identify the module group, item number, manufacture date, part number, and part name of the parts included in the H1, 60 and 68 cc variable displacement tandem pump.

The parts listed include all parts which may be used when performing either "Minor Repairs", "Major Repairs" or "Conversions" on the H1, 60 and 68 cc tandem pump.

Nameplate

Each unit will have a nameplate affixed to the housing. The nameplate will include the following information.

Model Code

The Sauer-Danfoss model code completely defines the specific unit and must be used when ordering parts to service this product.

Model Number

The Sauer-Danfoss model number is used by the factory in manufacturing. On repeat orders, a complete unit can be ordered by the model number.

Serial Number

The Sauer-Danfoss serial number is used to identify the manufacture date and the unit sequence in the build. The serial number is also used to identify the units warranty time period.

The letter code indicates the location of original manufacture (assembly). "A" indicates the unit was originally assembled in Ames, Iowa.

The first number (2 digits) indicates the year of manufacture. ("16" would indicate the unit was manufactured in 2016)

The second number (2 digits) indicates the calendar week of manufacture.

The third number (5 digits) is a sequential number used to identify a specific unit.





General information

Date code

The date code is defined as the year and week of manufacture. The same item number may list more than one part number. This indicates that there is more than one configuration for that item number. You will see that there are different date codes for the different part numbers. Find the date code of your unit from the nameplate to determine which service part number you need to order.

EXAMPLE: The service part desired is Item G30

Order Code	Item	Date Begin	Date End	Part Number	Part Name	Qty. per Model/Kit
80	G30	89-17		8000243	End cap gasket	1
	G30	87-02	89-16	8000151	End cap gasket (SB-1995-006)	1

All units using this order code with a date code of 87-02 and up to and including 89-16, must use part number "8000151". All units with a date code of 89-17 and newer must use part number "8000243".

Service bulletins

A Service Bulletin Number (SB-____-____) may follow the "Part Name" of the part you desire. You must read that Service Bulletin prior to ordering that part. The information contained in these Service Bulletins, as of the print date of this bulletin, are included at the end of this manual. Service Bulletins contain more detailed information such as interchangeability, what additional parts are involved, etc. It is suggested that you add additional Service Bulletins to this manual as you receive them.

Procedure to identify a part

General

The modular design of H1 units results in a simplified service parts list and part number identification procedure.

The same item numbers are used for same part names on all units within a product type. (Example: The lip seal - Item J250 has the same item number on all pumps.)

A part number that has another number following it in parentheses is done to make this a world wide manual. The first number is sold in Germany. The number in parentheses is sold in the United States. (Example: 314583 (9008000-0118), customers would order 9008000-0118 if ordering the part in the United States.)

Example of a Part Identification

The nameplate on an H1 pump has an Order Code of H1T068L A A N A2 C3 N H7 H F1 H3 38 38 38 38 N E 32 PN NNN NNN. Use the following procedures to determine the part number of the input shaft used on this pump.

- 1) Referring to the input shaft module in the Order Code (see page 7), the input shaft option for this pump is identified by the code "G7". (H1T068L A A N A2 C3 N H7 H **F1** H3 38 38 38 38 N E 32 PN NNN NNN)
- 2) Referring to the Service Parts List, find the shaft group. Next find the order code that relates to this unit, which is "F1". The shaft is found to be item J100 and part number 11038239.

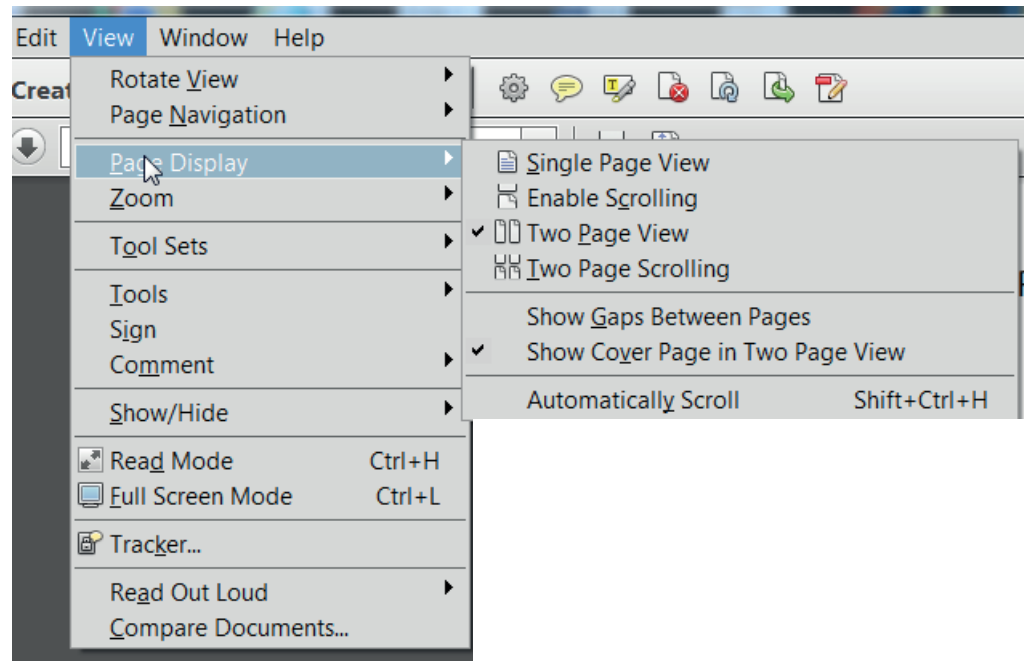


Adobe Acrobat 2-page viewing

Adobe Acrobat 2-page viewing

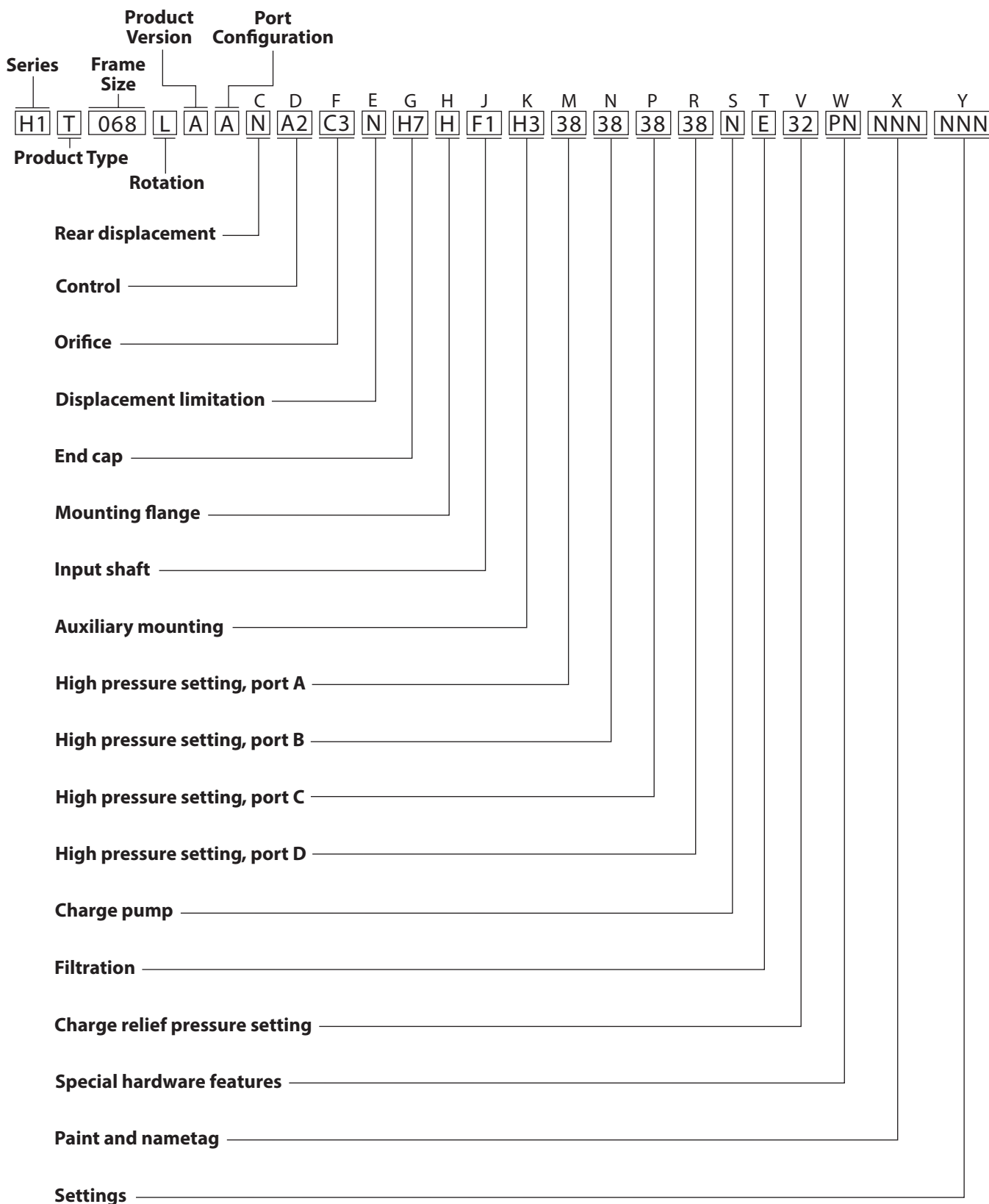
While viewing manual in Adobe Acrobat, the following settings need to be applied to ensure proper page display.

1. Select "View" --> "Page Display" --> "Two Page View"
2. Select "View" --> "Page Display" --> "Show Cover Page in Two Page View"





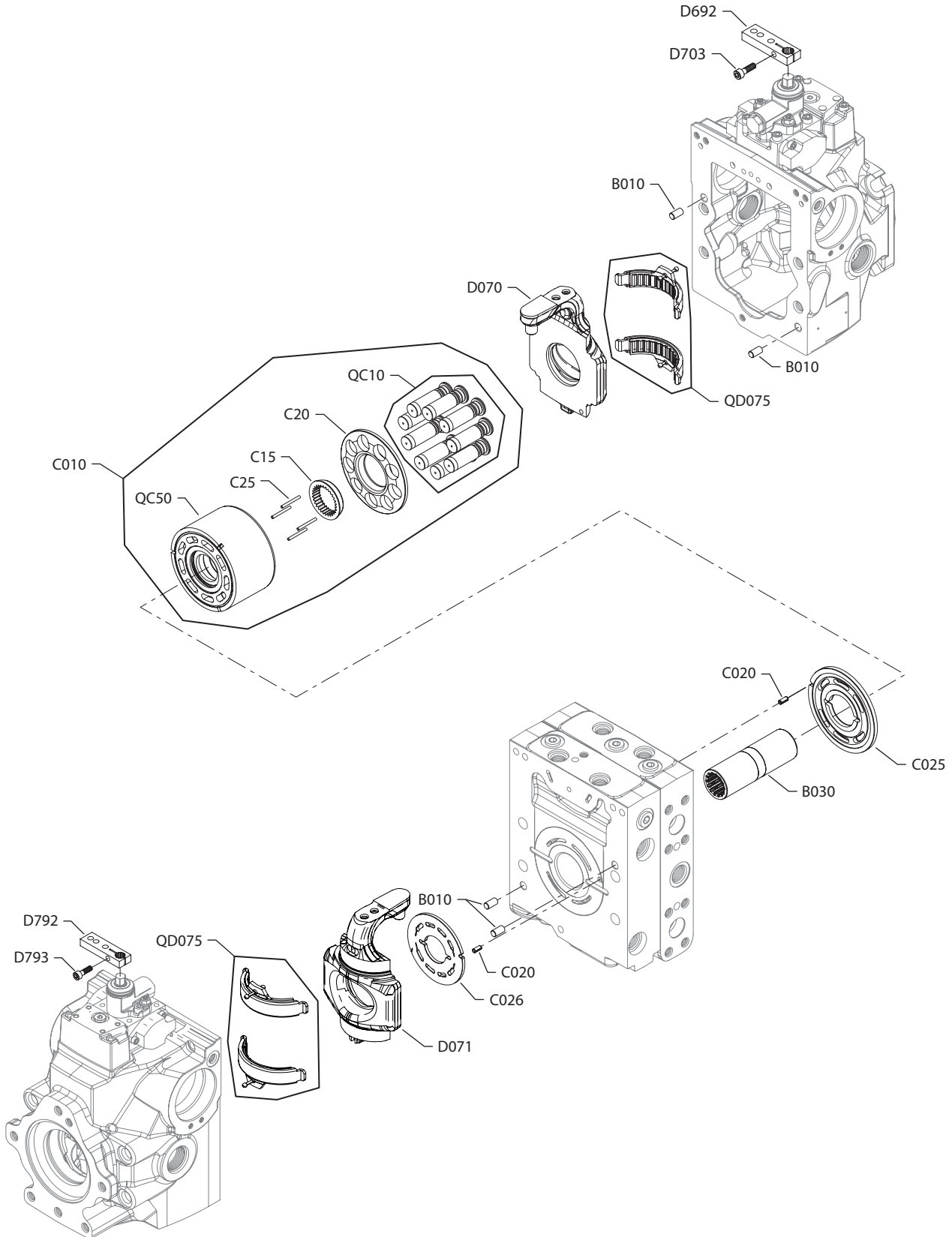
Order code





Variable displacement tandem pump

(H1)




Variable displacement tandem pump
Common parts

Order Code	Item	Date Begin	Date End	Part Number	Qty. per Part Name	Model/Kit
	B010	17-22		5000757	Dowel pin	4
	B030	17-22		11100543	Coupling	1
	C020	17-22		9004700-1907	Valve plate pin	2
	D070	17-22		11121000	Swashplate	1
	D071	17-22		11121000	Swashplate	1
	QD075	17-22		11086555	Swashplate bearing kit	2

Special hardware, "L" rotation tandem pump

H1	C15	17-22		11033139	Slipper retainer ball guide	1
	C20	17-22		11033140	Slipper retainer	1
	C25	17-22		11040075	Slipper hold down pin	4
	C010	17-22		11050563	Cylinder block kit, 60 cc	1
	C010	17-22		11033143	Cylinder block kit, 68 cc	1
	C025	17-22		11082840	Valve plate, CCW	1
	C026	17-22		11081201	Valve plate, CW	1
	D692	17-22		11113513	Control handle	1
	D703	17-22		041160 (9007314-0605)	Screw, M6 x 20	1
	D792	17-22		11113513	Control handle	1
	D793	17-22		041160 (9007314-0605)	Screw, M6 x 20	1
	QC10	17-22		11087709	Slipper/piston kit, 60 cc	1
	QC10	17-22		11087710	Slipper/piston kit, 68 cc	1
	QC50	17-22		11050267	Cylinder block assembly, 60 cc	1
	QC50	17-22		11033144	Cylinder block assembly, 68 cc	1

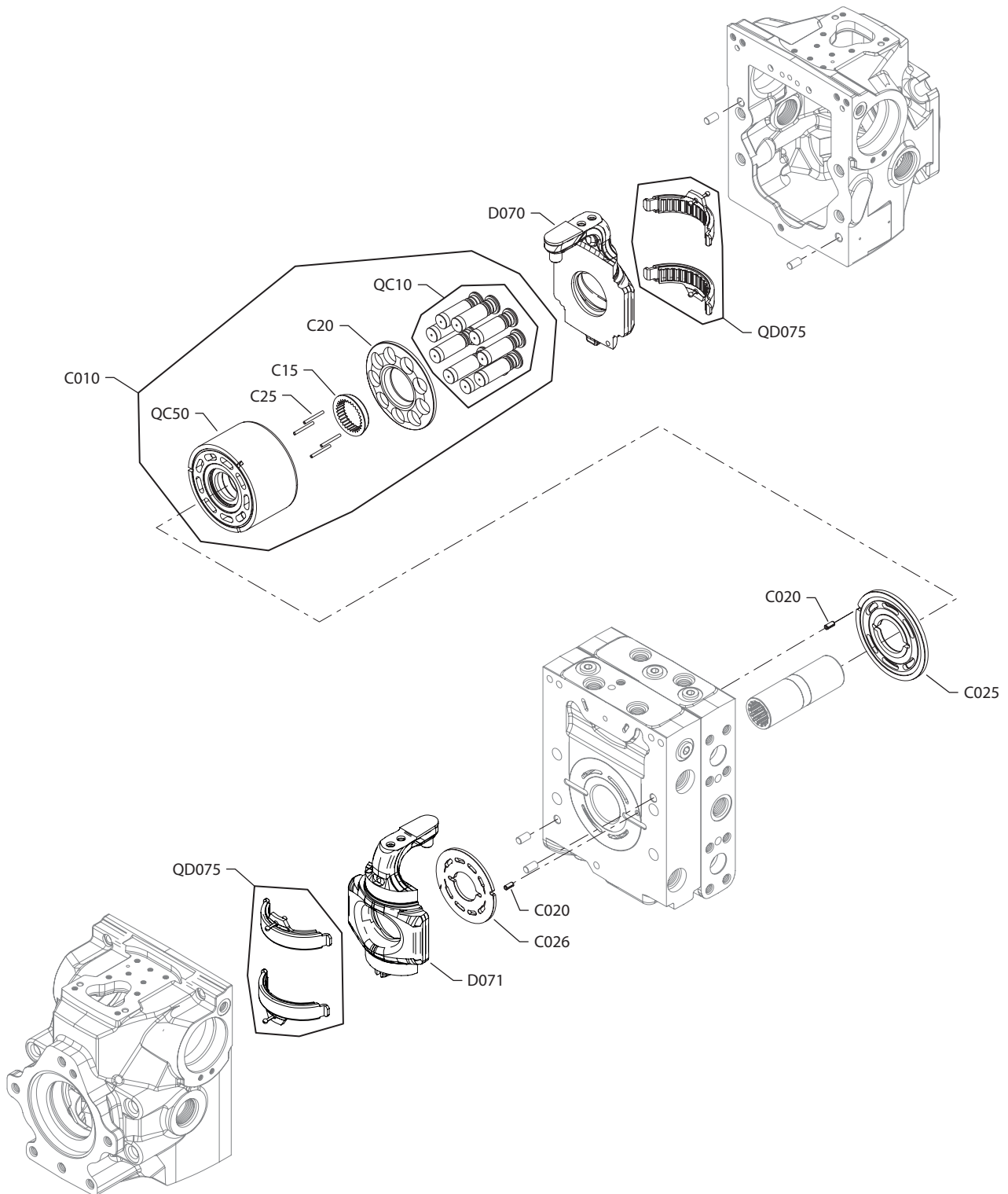
Special hardware, "R" rotation tandem pump

H1	C15	17-22		11033139	Slipper retainer ball guide	1
	C20	17-22		11033140	Slipper retainer	1
	C25	17-22		11040075	Slipper hold down pin	4
	C010	17-22		11050563	Cylinder block kit, 60 cc	1
	C010	17-22		11033143	Cylinder block kit, 68 cc	1
	C025	17-22		11081201	Valve plate, CW	1
	C026	17-22		11082840	Valve plate, CCW	1
	D692	17-22		11113513	Control handle	1
	D703	17-22		041160 (9007314-0605)	Screw, M6 x 20	1
	D792	17-22		11113513	Control handle	1
	D793	17-22		041160 (9007314-0605)	Screw, M6 x 20	1
	QC10	17-22		11087709	Slipper/piston kit, 60 cc	1
	QC10	17-22		11087710	Slipper/piston kit, 68 cc	1
	QC50	17-22		11050267	Cylinder block assembly, 60 cc	1
	QC50	17-22		11033144	Cylinder block assembly, 68 cc	1



Variable displacement tandem pump

(P1 & PN)




Variable displacement tandem pump
Special hardware, "L" rotation tandem pump

Order Code	Item	Date Begin	Date End	Part Number	Qty. per Part Name	Model/Kit	
P1	C15	17-22		11033139	Slipper retainer ball guide	1	
	C20	17-22		11033140	Slipper retainer	1	
	C25	17-22		11040075	Slipper hold down pin	4	
	C010	17-22		11050563	Cylinder block kit, 60 cc	1	
	C010	17-22		11033143	Cylinder block kit, 68 cc	1	
	C025	17-22		11082840	Valve plate, CCW	1	
	C026	17-22		11081201	Valve plate, CW	1	
	QC10	17-22		11087709	Slipper/piston kit, 60 cc	1	
	QC10	17-22		11087710	Slipper/piston kit, 68 cc	1	
	QC50	17-22		11050267	Cylinder block assembly, 60 cc	1	
	QC50	17-22		11033144	Cylinder block assembly, 68 cc	1	
	PN	C15	17-22		11033139	Slipper retainer ball guide	1
		C20	17-22		11033140	Slipper retainer	1
C25		17-22		11040075	Slipper hold down pin	4	
C010		17-22		11050563	Cylinder block kit, 60 cc	1	
C010		17-22		11033143	Cylinder block kit, 68 cc	1	
C025		17-22		11082840	Valve plate, CCW	1	
C026		17-22		11081201	Valve plate, CW	1	
QC10		17-22		11087709	Slipper/piston kit, 60 cc	1	
QC10		17-22		11087710	Slipper/piston kit, 68 cc	1	
QC50		17-22		11050267	Cylinder block assembly, 60 cc	1	
QC50		17-22		11033144	Cylinder block assembly, 68 cc	1	

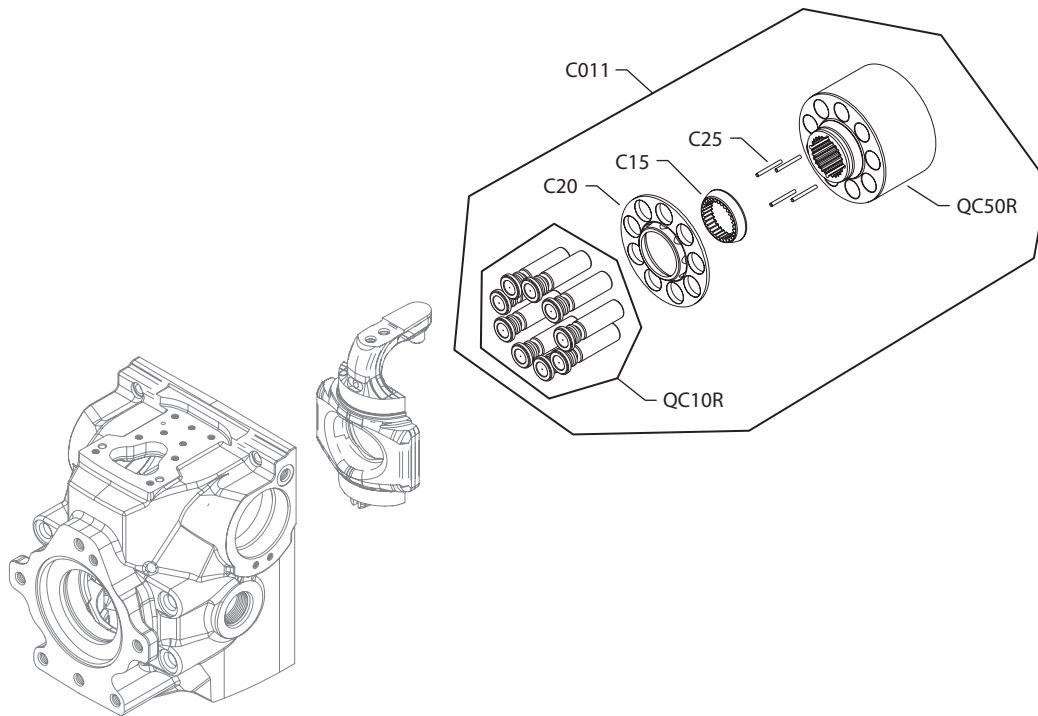
Special hardware, "R" rotation tandem pump

P1	C15	17-22		11033139	Slipper retainer ball guide	1	
	C20	17-22		11033140	Slipper retainer	1	
	C25	17-22		11040075	Slipper hold down pin	4	
	C010	17-22		11050563	Cylinder block kit, 60 cc	1	
	C010	17-22		11033143	Cylinder block kit, 68 cc	1	
	C025	17-22		11081201	Valve plate, CW	1	
	C026	17-22		11082840	Valve plate, CCW	1	
	QC10	17-22		11087709	Slipper/piston kit, 60 cc	1	
	QC10	17-22		11087710	Slipper/piston kit, 68 cc	1	
	QC50	17-22		11050267	Cylinder block assembly, 60 cc	1	
	QC50	17-22		11033144	Cylinder block assembly, 68 cc	1	
	PN	C15	17-22		11033139	Slipper retainer ball guide	1
		C20	17-22		11033140	Slipper retainer	1
C25		17-22		11040075	Slipper hold down pin	4	
C010		17-22		11050563	Cylinder block kit, 60 cc	1	
C010		17-22		11033143	Cylinder block kit, 68 cc	1	
C025		17-22		11081201	Valve plate, CW	1	
C026		17-22		11082840	Valve plate, CCW	1	
QC10		17-22		11087709	Slipper/piston kit, 60 cc	1	
QC10		17-22		11087710	Slipper/piston kit, 68 cc	1	
QC50		17-22		11050267	Cylinder block assembly, 60 cc	1	
QC50		17-22		11033144	Cylinder block assembly, 68 cc	1	



Variable displacement tandem pump

(B & N)



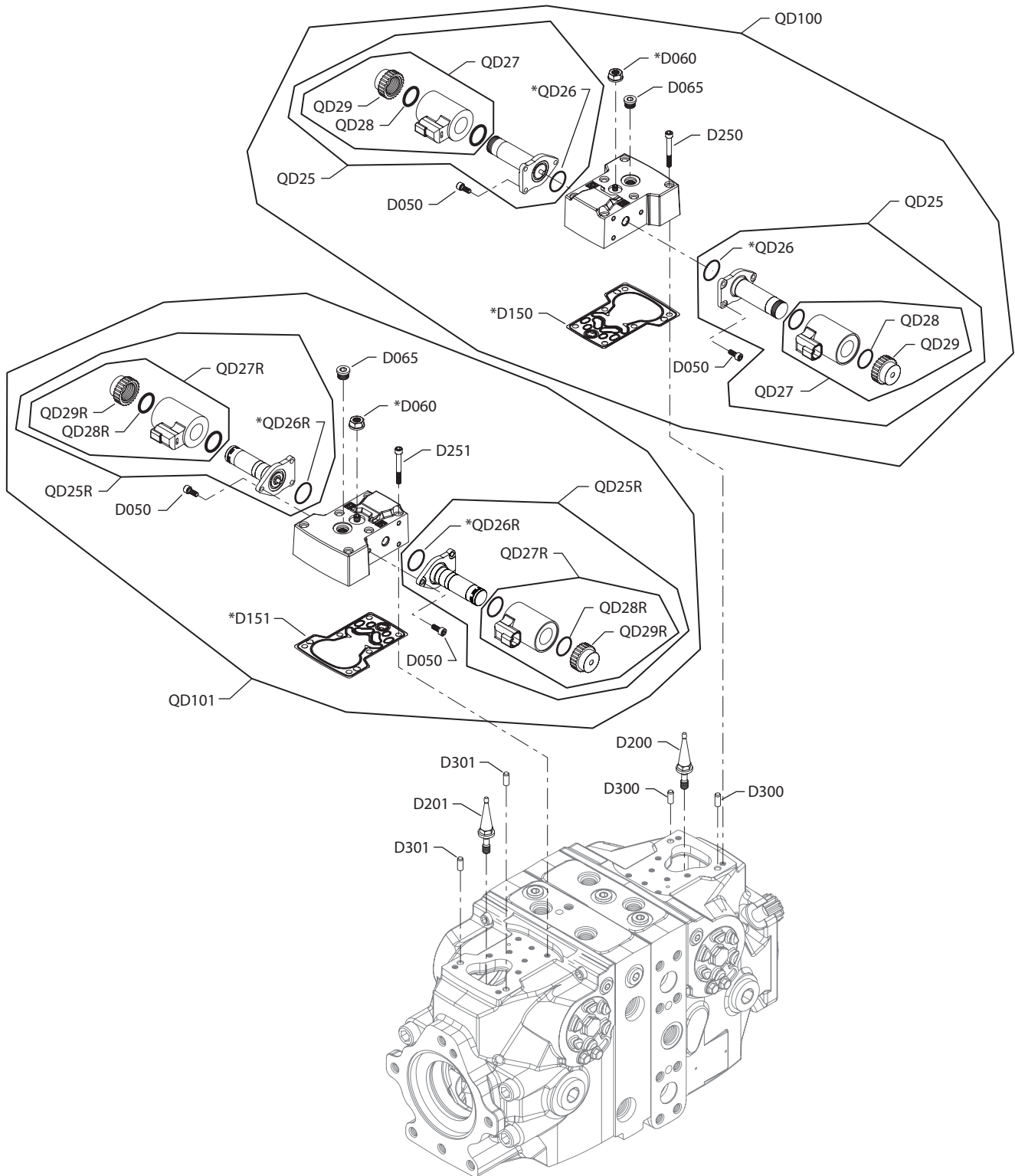

Variable displacement tandem pump
Rear displacement

Order Code	Item	Date Begin	Date End	Part Number	Part Name	Qty. per Model/Kit
B (H1T068)	C011	17-22		11050563	Cylinder block kit, 60 cc	1
	C15	17-22		11033139	Slipper retainer ball guide	1
	C20	17-22		11033140	Slipper retainer	1
	C25	17-22		11040075	Slipper hold down pin	4
	QC10R	17-22		11087709	Slipper/piston kit, 60 cc	1
	QC50R	17-22		11050267	Cylinder block assembly, 60 cc	1
	N (H1T060)	C011	17-22		11050563	Cylinder block kit, 60 cc
C15		17-22		11033139	Slipper retainer ball guide	1
C20		17-22		11033140	Slipper retainer	1
C25		17-22		11040075	Slipper hold down pin	4
QC10R		17-22		11087709	Slipper/piston kit, 60 cc	1
QC50R		17-22		11050267	Cylinder block assembly, 60 cc	1
N (H1T068)		C011	17-22		11033143	Cylinder block kit, 68 cc
	C15	17-22		11033139	Slipper retainer ball guide	1
	C20	17-22		11033140	Slipper retainer	1
	C25	17-22		11040075	Slipper hold down pin	4
	QC10R	17-22		11087710	Slipper/piston kit, 68 cc	1
	QC50R	17-22		11033144	Cylinder block assembly, 68 cc	1



Variable displacement tandem pump

(A2 & A3)



E103 562E

* = included in overhaul seal kit Q210

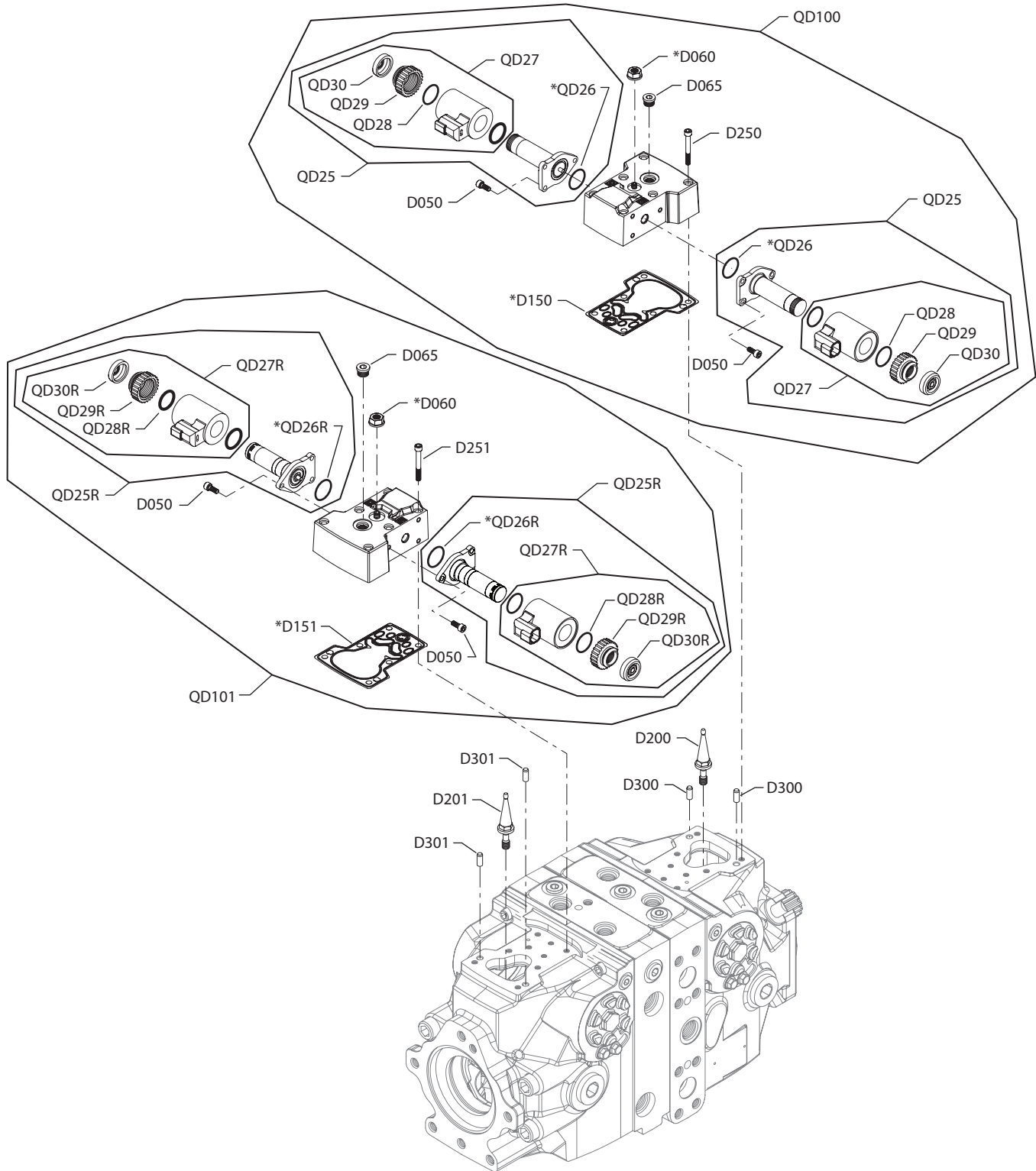

Variable displacement tandem pump
Control

Order Code	Item	Date Begin	Date End	Part Number	Part Name	Qty. per Model/Kit	
A2	D050	17-22		716860	Screw, M5 x 12	12	
	D060	17-22		612291 (9003508-0008)	Seal nut	2	
	D065	17-22		140642	Plug assembly	2	
	D150	17-22		11173377	Control gasket	1	
	D151	17-22		11173377	Control gasket	1	
	D200	17-22		11148827	Swashplate feedback link	1	
	D201	17-22		11148827	Swashplate feedback link	1	
	D250	17-22		505038	Screw, M6 x 45	6	
	D251	17-22		505038	Screw, M6 x 45	6	
	D300	17-22		310979	Dowel pin	2	
	D301	17-22		310979	Dowel pin	2	
	QD25	17-22		11012457	Proportional solenoid, 12V	2	
	QD25R	17-22		11012457	Proportional solenoid, 12V	2	
	QD26	17-22		11001952	O-ring	2	
	QD26R	17-22		11001952	O-ring	2	
	QD27	17-22		11028018	Coil kit, 12V, Deutsch connector	2	
	QD27R	17-22		11028018	Coil kit, 12V, Deutsch connector	2	
	QD28	17-22		063172	O-ring	2	
	QD28R	17-22		063172	O-ring	2	
	QD29	17-22		11027046	Coil nut	2	
	QD29R	17-22		11027046	Coil nut	2	
	QD100	17-22		11019680	EDC kit, 12V, high gain spool	1	
	QD101	17-22		11019680	EDC kit, 12V, high gain spool	1	
	A3	D050	17-22		716860	Screw, M5 x 12	12
		D060	17-22		612291 (9003508-0008)	Seal nut	2
		D065	17-22		140642	Plug assembly	2
		D150	17-22		11173377	Control gasket	1
		D151	17-22		11173377	Control gasket	1
		D200	17-22		11148827	Swashplate feedback link	1
		D201	17-22		11148827	Swashplate feedback link	1
		D250	17-22		505038	Screw, M6 x 45	6
D251		17-22		505038	Screw, M6 x 45	6	
D300		17-22		310979	Dowel pin	2	
D301		17-22		310979	Dowel pin	2	
QD25		17-22		11012459	Proportional solenoid, 24V (SB-2007-033)	2	
QD25R		17-22		11012459	Proportional solenoid, 24V (SB-2007-033)	2	
QD26		17-22		11001952	O-ring	2	
QD26R		17-22		11001952	O-ring	2	
QD27		17-22		11028019	Coil kit, 24V, Deutsch connector (SB-2007-033)	2	
QD27R		17-22		11028019	Coil kit, 24V, Deutsch connector (SB-2007-033)	2	
QD28		17-22		063172	O-ring	2	
QD28R		17-22		063172	O-ring	2	
QD29		17-22		11027046	Coil nut	2	
QD29R		17-22		11027046	Coil nut	2	
QD100		17-22		11019681	EDC kit, 24V, high gain spool	1	
QD101		17-22		11019681	EDC kit, 24V, high gain spool	1	



Variable displacement tandem pump

(A4)



E103 563E

* = included in overhaul seal kit Q210

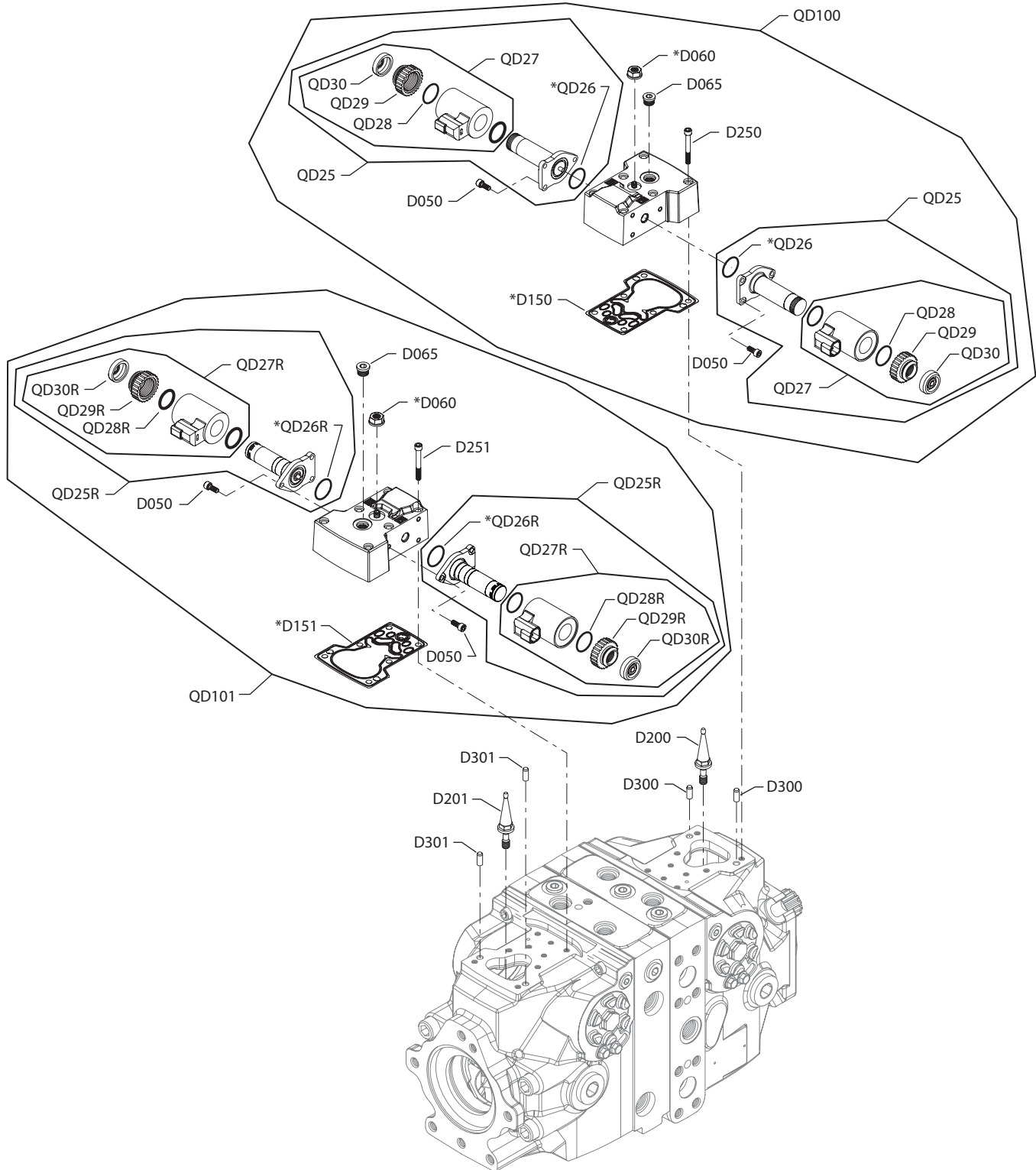

Variable displacement tandem pump
Control

Order Code	Item	Date Begin	Date End	Part Number	Part Name	Qty. per Model/Kit
A4	D050	17-22		716860	Screw, M5 x 12	12
	D060	17-22		612291 (9003508-0008)	Seal nut	2
	D065	17-22		140642	Plug	2
	D150	17-22		11173377	Control gasket	1
	D151	17-22		11173377	Control gasket	1
	D200	17-22		11148827	Swashplate feedback link	1
	D201	17-22		11148827	Swashplate feedback link	1
	D250	17-22		505038	Screw, M6 X 45	6
	D251	17-22		505038	Screw, M6 X 45	6
	D300	17-22		310979	Dowel pin	2
	D301	17-22		310979	Dowel pin	2
	QD25	17-22		140750	Proportional solenoid, 12V, Deutsch connector	2
	QD25R	17-22		140750	Proportional solenoid, 12V, Deutsch connector	2
	QD26	17-22		11001952	O-ring	2
	QD26R	17-22		11001952	O-ring	2
	QD27	17-22		11004698	Coil kit, 12V, Deutsch connector	2
	QD27R	17-22		11004698	Coil kit, 12V, Deutsch connector	2
	QD28	17-22		063172	O-ring	2
	QD28R	17-22		063172	O-ring	2
	QD29	17-22		11027883	Coil nut	2
	QD29R	17-22		11027883	Coil nut	2
	QD30	17-22		11027883	Cap	2
	QD30R	17-22		11027883	Cap	2
	QD100	17-22		11019732	EDC kit, 12V, high gain spool, manual override	1
	QD101	17-22		11019732	EDC kit, 12V, high gain spool, manual override	1



Variable displacement tandem pump

(A5)
SAE



E103 563E

* = included in overhaul seal kit Q210

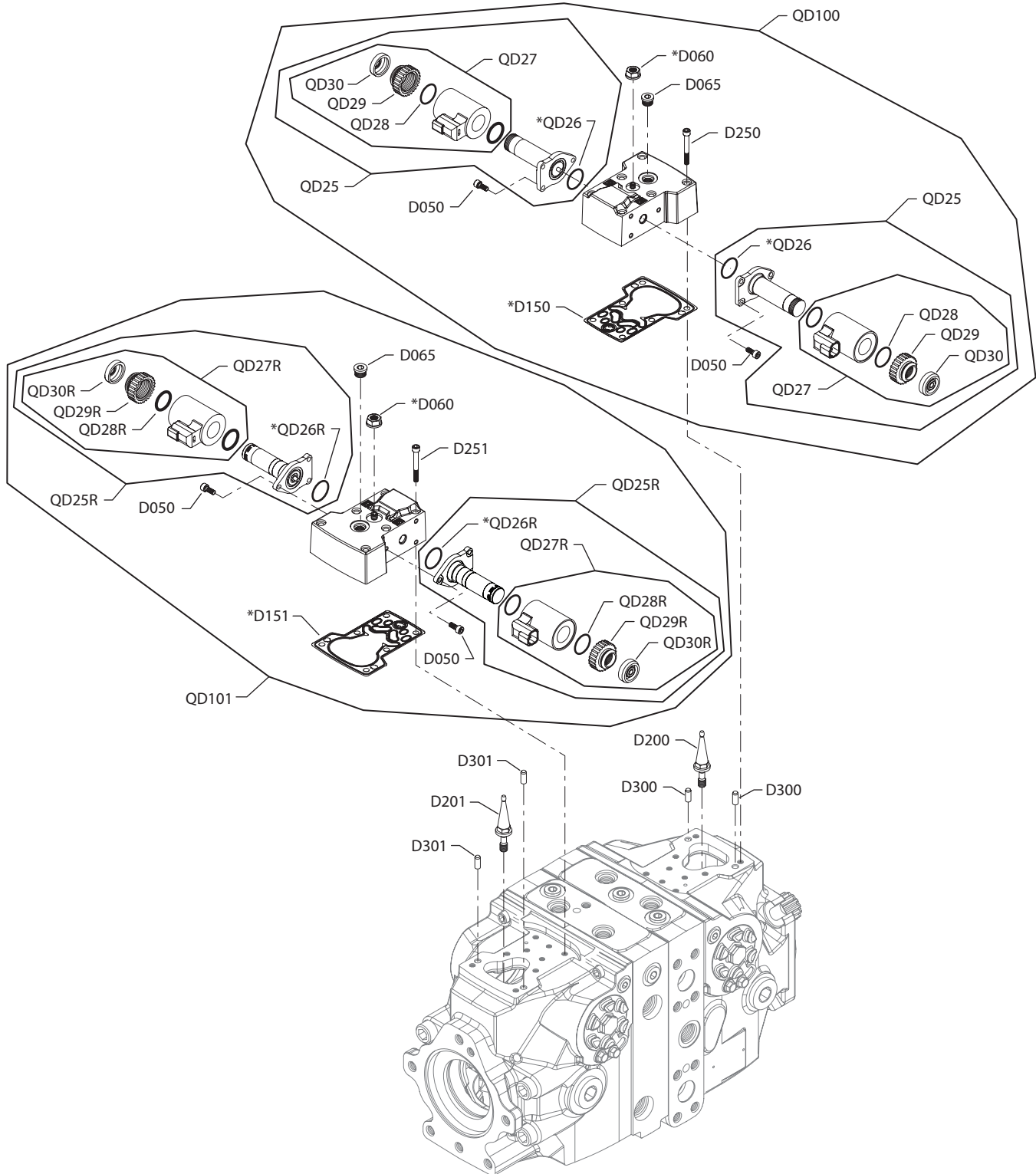

Variable displacement tandem pump
Control

Order Code	Item	Date Begin	Date End	Part Number	Part Name	Qty. per Model/Kit
A5	D050	17-22		716860	Screw, M5 x 12	12
(SAE)	D060	17-22		612291 (9003508-0008)	Seal nut	2
	D065	17-22		140642	Plug assembly	2
	D065	17-22		5000572	Plug assembly, M12	2
	D150	17-22		11173377	Control gasket	1
	D151	17-22		11173377	Control gasket	1
	D200	17-22		11148827	Swashplate feedback link	1
	D201	17-22		11148827	Swashplate feedback link	1
	D250	17-22		505038	Screw, M6 X 45	6
	D251	17-22		505038	Screw, M6 X 45	6
	D300	17-22		310979	Dowel pin	2
	D301	17-22		310979	Dowel pin	2
	QD25	17-22		140751	Proportional solenoid, 24V, Deutsch connector	2
	QD25R	17-22		140751	Proportional solenoid, 24V, Deutsch connector	2
	QD26	17-22		11001952	O-ring	2
	QD26R	17-22		11001952	O-ring	2
	QD27	17-22		11004700	Coil kit, 24V, Deutsch connector	2
	QD27R	17-22		11004700	Coil kit, 24 V, Deutsch connector	2
	QD28	17-22		063172	O-ring	2
	QD28R	17-22		063172	O-ring	2
	QD29	17-22		11004749	Coil nut	2
	QD29R	17-22		11004749	Coil nut	2
	QD30	17-22		11027883	Cap	2
	QD30R	17-22		11027883	Cap	2
	QD100	17-22		11019733	EDC kit, 24V, high gain spool, manual override	1
	QD100	17-22		11170082	EDC kit, 24V, high gain spool, manual override (metric)	1
	QD101	17-22		11019733	EDC kit, 24V, high gain spool, manual override	1
	QD101	17-22		11170082	EDC kit, 24V, high gain spool, manual override (metric)	1



Variable displacement tandem pump

(A5)
metric



E103 649E

* = included in overhaul seal kit Q210

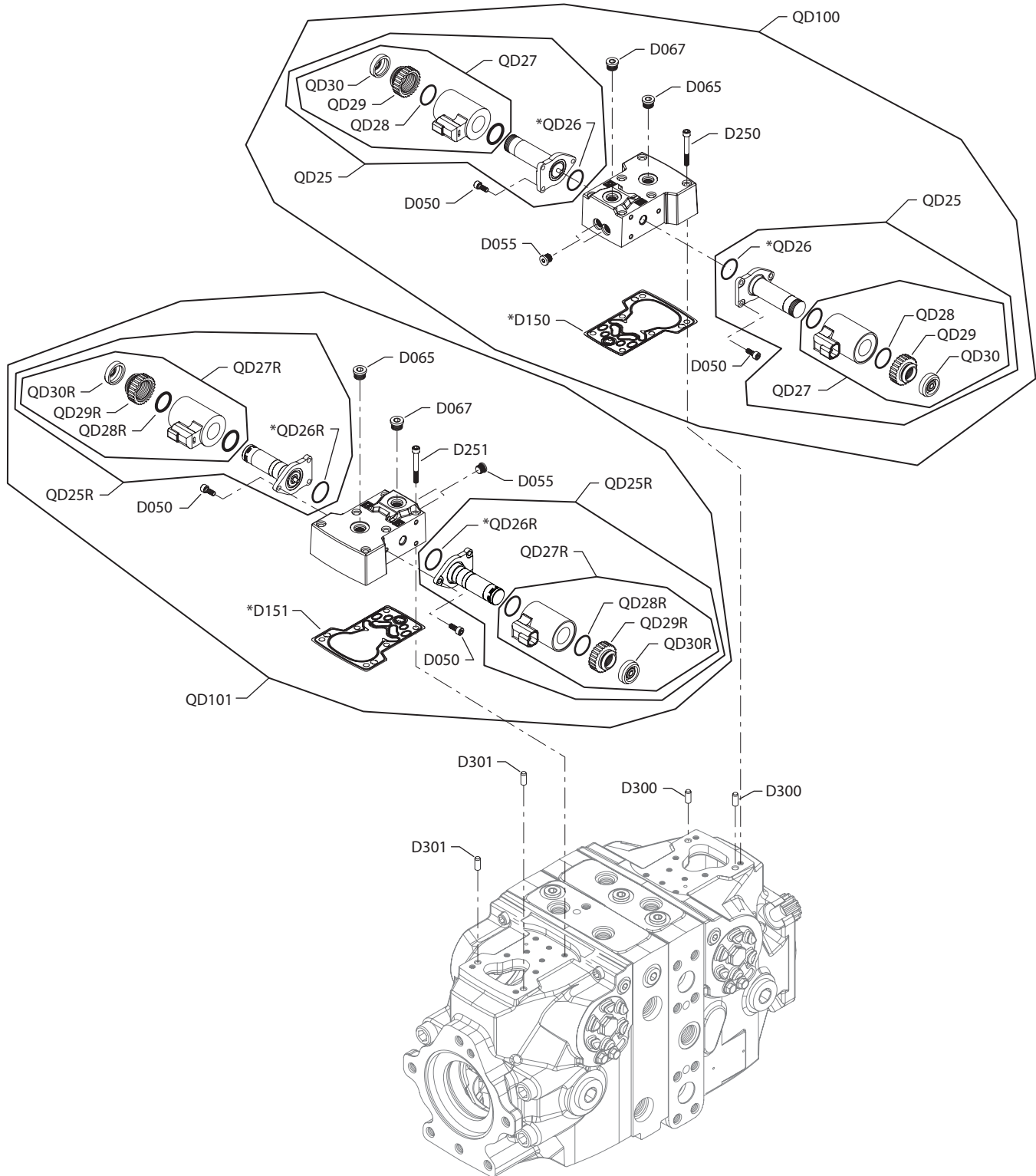

Variable displacement tandem pump
Control

Order Code	Item	Date Begin	Date End	Part Number	Part Name	Qty. per Model/Kit
A5	D050	17-22		716860	Screw, M5 x 12	12
(metric)	D060	17-22		612291 (9003508-0008)	Seal nut	2
	D065	17-22		140642	Plug assembly	2
	D065	17-22		5000572	Plug assembly, M12	2
	D150	17-22		11173377	Control gasket	1
	D151	17-22		11173377	Control gasket	1
	D200	17-22		11148827	Swashplate feedback link	1
	D201	17-22		11148827	Swashplate feedback link	1
	D250	17-22		505038	Screw, M6 X 45	6
	D251	17-22		505038	Screw, M6 X 45	6
	D300	17-22		310979	Dowel pin	2
	D301	17-22		310979	Dowel pin	2
	QD25	17-22		140751	Proportional solenoid, 24V, Deutsch connector	2
	QD25R	17-22		140751	Proportional solenoid, 24V, Deutsch connector	2
	QD26	17-22		11001952	O-ring	2
	QD26R	17-22		11001952	O-ring	2
	QD27	17-22		11004700	Coil kit, 24V, Deutsch connector	2
	QD27R	17-22		11004700	Coil kit, 24 V, Deutsch connector	2
	QD28	17-22		063172	O-ring	2
	QD28R	17-22		063172	O-ring	2
	QD29	17-22		11004749	Coil nut	2
	QD29R	17-22		11004749	Coil nut	2
	QD30	17-22		11027883	Cap	2
	QD30R	17-22		11027883	Cap	2
	QD100	17-22		11170082	EDC kit, 24V, high gain spool, manual override (metric)	1
	QD101	17-22		11170082	EDC kit, 24V, high gain spool, manual override (metric)	1



Variable displacement tandem pump

(A8)



E103 564E

* = included in overhaul seal kit Q210

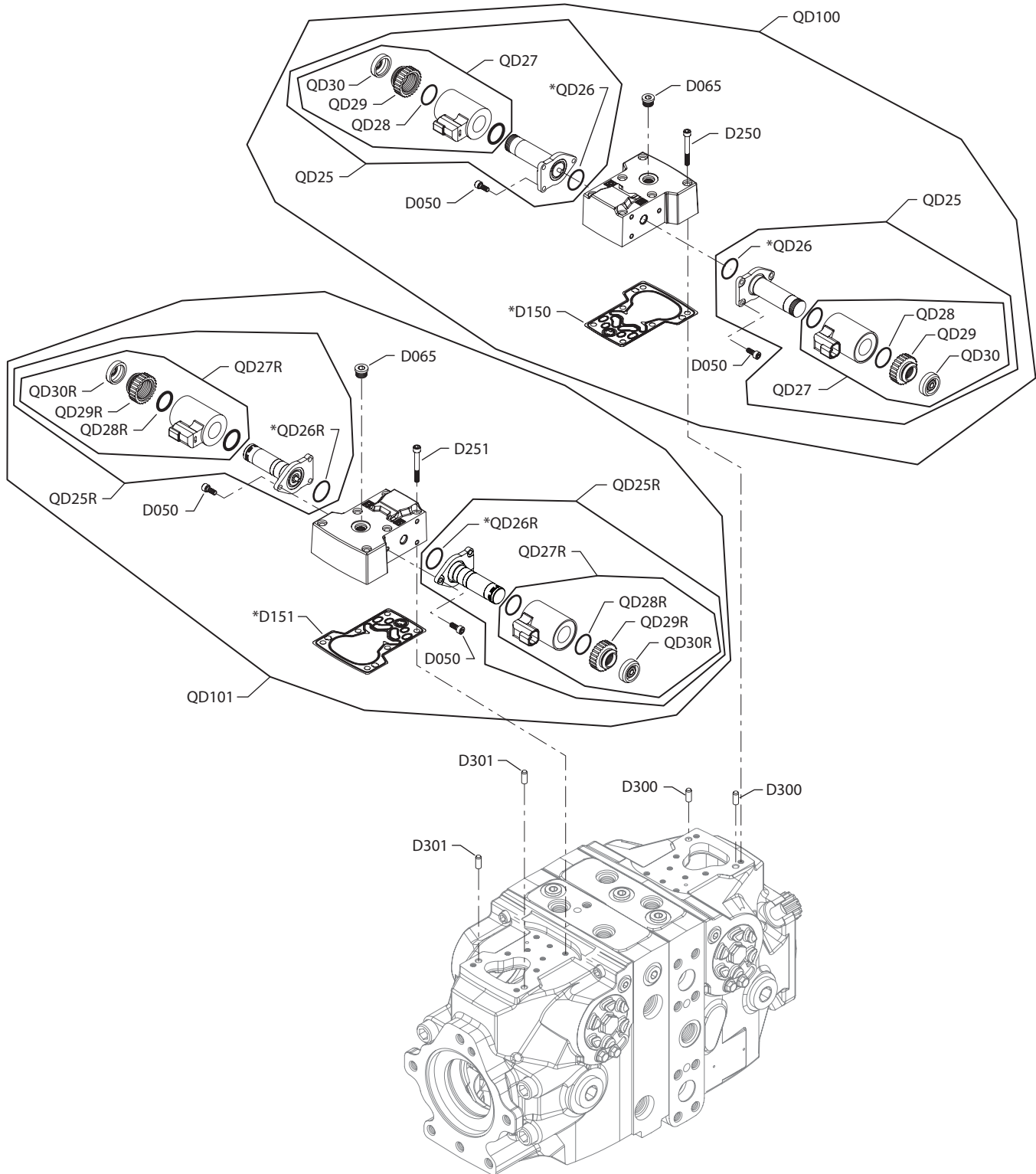

Variable displacement tandem pump
Control

Order Code	Item	Date Begin	Date End	Part Number	Part Name	Qty. per Model/Kit
A8	D050	17-22		716860	Screw, M5 x 12	12
	D055	17-22		11040532	Plug assembly	4
	D065	17-22		140642	Plug assembly	2
	D067	17-22		140642	Plug assembly	2
	D150	17-22		11173377	Control gasket	1
	D151	17-22		11173377	Control gasket	1
	D250	17-22		505038	Screw, M6 X 45	6
	D251	17-22		505038	Screw, M6 X 45	6
	D300	17-22		310979	Dowel pin	2
	D301	17-22		310979	Dowel pin	2
	QD25	17-22		140750	Proportional solenoid, 12V, Deutsch connector	2
	QD25R	17-22		140750	Proportional solenoid, 12V, Deutsch connector	2
	QD26	17-22		11001952	O-ring	2
	QD26R	17-22		11001952	O-ring	2
	QD27	17-22		11004698	Coil kit, 12V, Deutsch connector	2
	QD27R	17-22		11004698	Coil kit, 12V, Deutsch connector	2
	QD28	17-22		063172	O-ring	2
	QD28R	17-22		063172	O-ring	2
	QD29	17-22		11004749	Coil nut	2
	QD29R	17-22		11004749	Coil nut	2
	QD30	17-22		11027883	Cap	2
	QD30R	17-22		11027883	Cap	2
	QD100	17-22		11015803	NFPE control kit, 12V, manual override, Deutsch conn.	1
	QD101	17-22		11015803	NFPE control kit, 12V, manual override, Deutsch conn.	1



Variable displacement tandem pump

(A9 & B1)



E103 593E

* = included in overhaul seal kit Q210

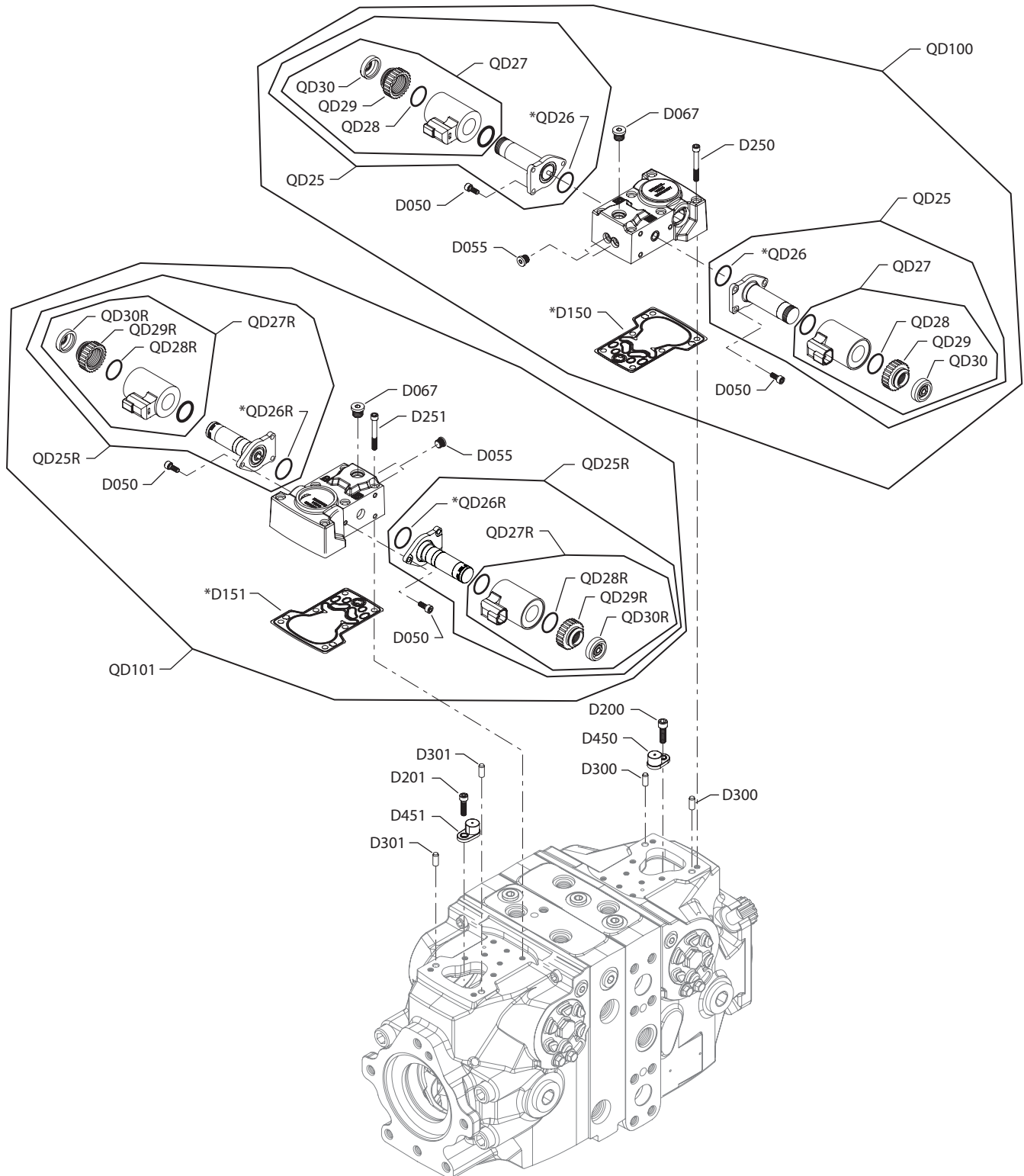

Variable displacement tandem pump
Control

Order Code	Item	Date Begin	Date End	Part Number	Part Name	Qty. per Model/Kit	
A9	D050	17-22		716860	Screw, M5 x 12	12	
	D065	17-22		140642	Plug	2	
	D150	17-22		11173377	Control gasket	1	
	D151	17-22		11173377	Control gasket	1	
	D250	17-22		505038	Screw, M6 X 45	6	
	D251	17-22		505038	Screw, M6 X 45	6	
	D300	17-22		310979	Dowel pin	2	
	D301	17-22		310979	Dowel pin	2	
	QD25	17-22		141301	Proportional solenoid, 12V, Deutsch connector	2	
	QD25R	17-22		141301	Proportional solenoid, 12V, Deutsch connector	2	
	QD26	17-22		11001952	O-ring	2	
	QD26R	17-22		11001952	O-ring	2	
	QD27	17-22		11005222	Coil kit, 12V, Deutsch connector	2	
	QD27R	17-22		11005222	Coil kit, 12V, Deutsch connector	2	
	QD28	17-22		063172	O-ring	2	
	QD28R	17-22		063172	O-ring	2	
	QD29	17-22		11004749	Coil nut	2	
	QD29R	17-22		11004749	Coil nut	2	
	QD30	17-22		11027883	Cap	2	
	QD30R	17-22		11027883	Cap	2	
	QD100	17-22		11025905	FNR control kit, 12V, manual override, Deutsch conn.	1	
	QD101	17-22		11025905	FNR control kit, 12V, manual override, Deutsch conn.	1	
	B1	D050	17-22		716860	Screw, M5 x 12	12
		D065	17-22		140642	Plug	2
		D150	17-22		11173377	Control gasket	1
		D151	17-22		11173377	Control gasket	1
		D250	17-22		505038	Screw, M6 X 45	6
D251		17-22		505038	Screw, M6 X 45	6	
D300		17-22		310979	Dowel pin	2	
D301		17-22		310979	Dowel pin	2	
QD25		17-22		141313	Proportional solenoid, 24V, Deutsch connector	2	
QD25R		17-22		141313	Proportional solenoid, 24V, Deutsch connector	2	
QD26		17-22		11001952	O-ring	2	
QD26R		17-22		11001952	O-ring	2	
QD27		17-22		11005223	Coil kit, 24V, Deutsch connector	2	
QD27R		17-22		11005223	Coil kit, 24V, Deutsch connector	2	
QD28		17-22		063172	O-ring	2	
QD28R		17-22		063172	O-ring	2	
QD29		17-22		11004749	Coil nut	2	
QD29R		17-22		11004749	Coil nut	2	
QD30		17-22		11027883	Cap	2	
QD30R		17-22		11027883	Cap	2	
QD100		17-22		11025906	FNR control kit, 24V, manual override, Deutsch conn.	1	
QD101		17-22		11025906	FNR control kit, 24V, manual override, Deutsch conn.	1	



Variable displacement tandem pump

(B5)



E103 565E

* = included in overhaul seal kit Q210

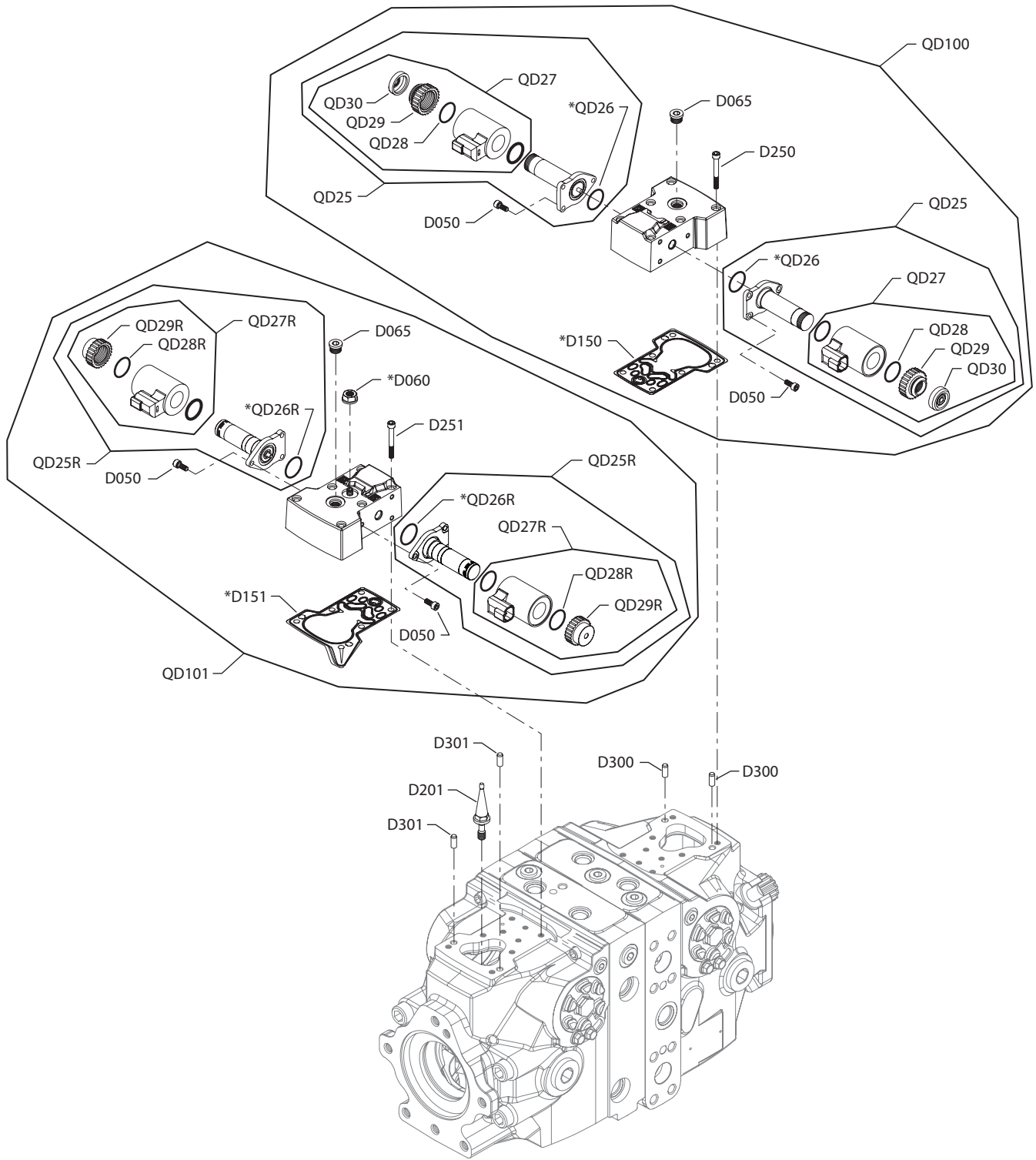

Variable displacement tandem pump
Control

Order Code	Item	Date Begin	Date End	Part Number	Part Name	Qty. per Model/Kit
B5	D050	17-22		716860	Screw, M5 x 12	12
	D055	17-22		11040532	Plug assembly	4
	D067	17-22		140642	Plug assembly	2
	D150	17-22		11173377	Control gasket	1
	D151	17-22		11173377	Control gasket	1
	D200	17-22		141472	Screw, special	1
	D201	17-22		141472	Screw, special	1
	D250	17-22		505038	Screw, M6 X 45	6
	D251	17-22		505038	Screw, M6 X 45	6
	D300	17-22		310979	Dowel pin	2
	D301	17-22		310979	Dowel pin	2
	D450	17-22		11003097	Magnet carrier	1
	D451	17-22		11003097	Magnet carrier	1
	QD25	17-22		140750	Proportional solenoid, 12 volt	2
	QD25R	17-22		140750	Proportional solenoid, 12 volt	2
	QD26	17-22		11001952	O-ring	2
	QD26R	17-22		11001952	O-ring	2
	QD27	17-22		11004698	Coil kit, 12V, Deutsch connector	2
	QD27R	17-22		11004698	Coil kit, 12V, Deutsch connector	2
	QD28	17-22		063172	O-ring	2
	QD28R	17-22		063172	O-ring	2
	QD29	17-22		11004749	Coil nut	2
	QD29R	17-22		11004749	Coil nut	2
	QD30	17-22		11027883	Cap	2
	QD30R	17-22		11027883	Cap	2
	QD100	17-22		11050138	NFPE control kit, 12V, manual override	1
	QD101	17-22		11050138	NFPE control kit, 12V, manual override	1



Variable displacement tandem pump

(B6)



E103 566E

* = included in overhaul seal kit Q210

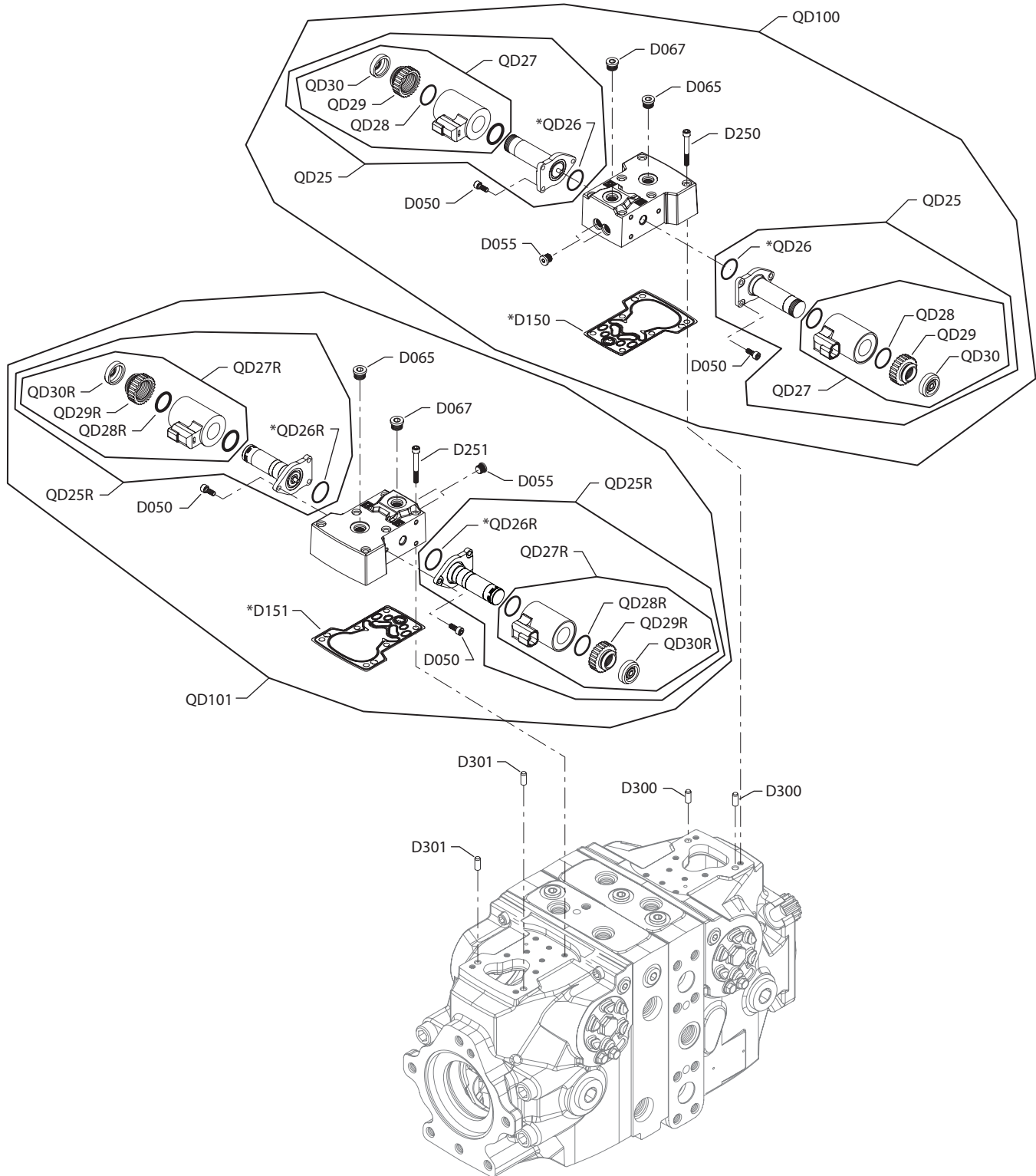

Variable displacement tandem pump
Control

Order Code	Item	Date Begin	Date End	Part Number	Part Name	Qty. per Model/Kit
B6	D050	17-22		716860	Screw, M5 x 12	12
	D060	17-22		612291 (9003508-0008)	Seal nut	1
	D065	17-22		140642	Plug assembly	2
	D150	17-22		11173377	Control gasket	1
	D151	17-22		11173377	Control gasket	1
	D201	17-22		11148827	Swashplate feedback link	1
	D250	17-22		505038	Screw, M6 X 45	6
	D251	17-22		505038	Screw, M6 X 45	6
	D300	17-22		310979	Dowel pin	2
	D301	17-22		310979	Dowel pin	2
	QD25	17-22		141301	Proportional solenoid, 12V, Deutsch connector, MOR	2
	QD25R	17-22		11012457	Proportional solenoid, 12V, Deutsch connector	2
	QD26	17-22		11001952	O-ring	2
	QD26R	17-22		11001952	O-ring	2
	QD27	17-22		11005222	Coil kit, 12V, Deutsch connector	2
	QD27R	17-22		11028018	Coil kit, 12V, Deutsch connector	2
	QD28	17-22		063172	O-ring	2
	QD28R	17-22		063172	O-ring	2
	QD29	17-22		11004749	Coil nut	2
	QD29R	17-22		11027046	Coil nut	2
	QD30	17-22		11027883	Cap	2
	QD100	17-22		11025905	FNR control kit, 12V, manual override, Deutsch conn.	1
	QD101	17-22		11019680	EDC kit, 12V, high gain spool	1



Variable displacement tandem pump

(B8)



E103 564E

* = included in overhaul seal kit Q210

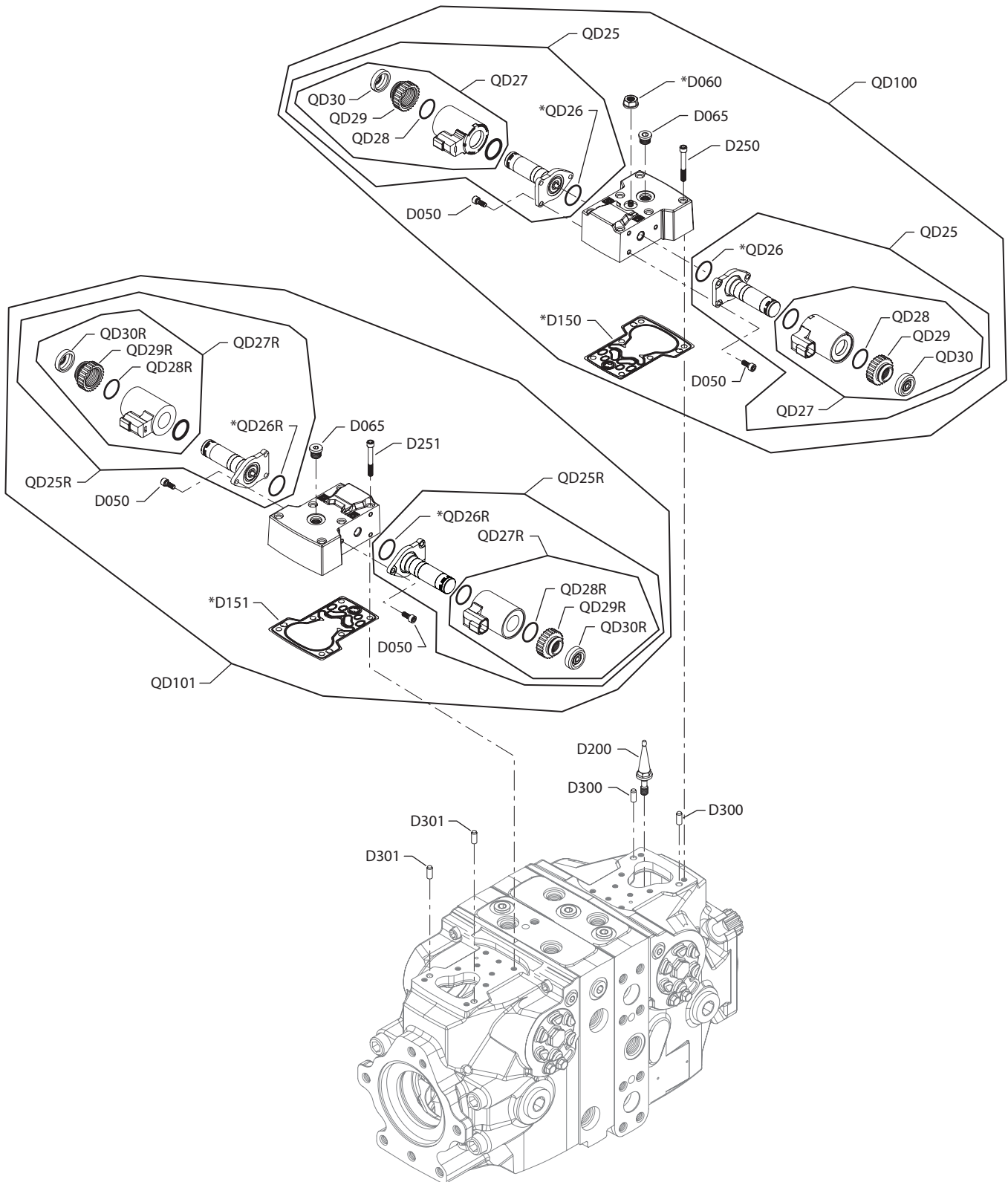

Variable displacement tandem pump
Control

Order Code	Item	Date Begin	Date End	Part Number	Part Name	Qty. per Model/Kit
B8	D050	17-22		716860	Screw, M5 x 12	12
	D055	17-22		11040532	Plug assembly	4
	D065	17-22		140642	Plug assembly	2
	D067	17-22		140642	Plug assembly	2
	D150	17-22		11173377	Control gasket	1
	D151	17-22		11173377	Control gasket	1
	D250	17-22		505038	Screw, M6 X 45	6
	D251	17-22		505038	Screw, M6 X 45	6
	D300	17-22		310979	Dowel pin	2
	D301	17-22		310979	Dowel pin	2
	QD25	17-22		140751	Proportional solenoid, 24V, Deutsch connector	2
	QD25R	17-22		140751	Proportional solenoid, 24V, Deutsch connector	2
	QD26	17-22		11001952	O-ring	2
	QD26R	17-22		11001952	O-ring	2
	QD27	17-22		11004700	Coil kit, 24V, Deutsch connector	2
	QD27R	17-22		11004700	Coil kit, 24V, Deutsch connector	2
	QD28	17-22		063172	O-ring	2
	QD28R	17-22		063172	O-ring	2
	QD29	17-22		11004749	Coil nut	2
	QD29R	17-22		11004749	Coil nut	2
	QD30	17-22		11027883	Cap	2
	QD30R	17-22		11027883	Cap	2
	QD100	17-22		11025904	NFPE control kit, 24V, manual override, Deutsch conn.	1
	QD101	17-22		11025904	NFPE control kit, 24V, manual override, Deutsch conn.	1



Variable displacement tandem pump

(D7)



E103 567E

* = included in overhaul seal kit Q210

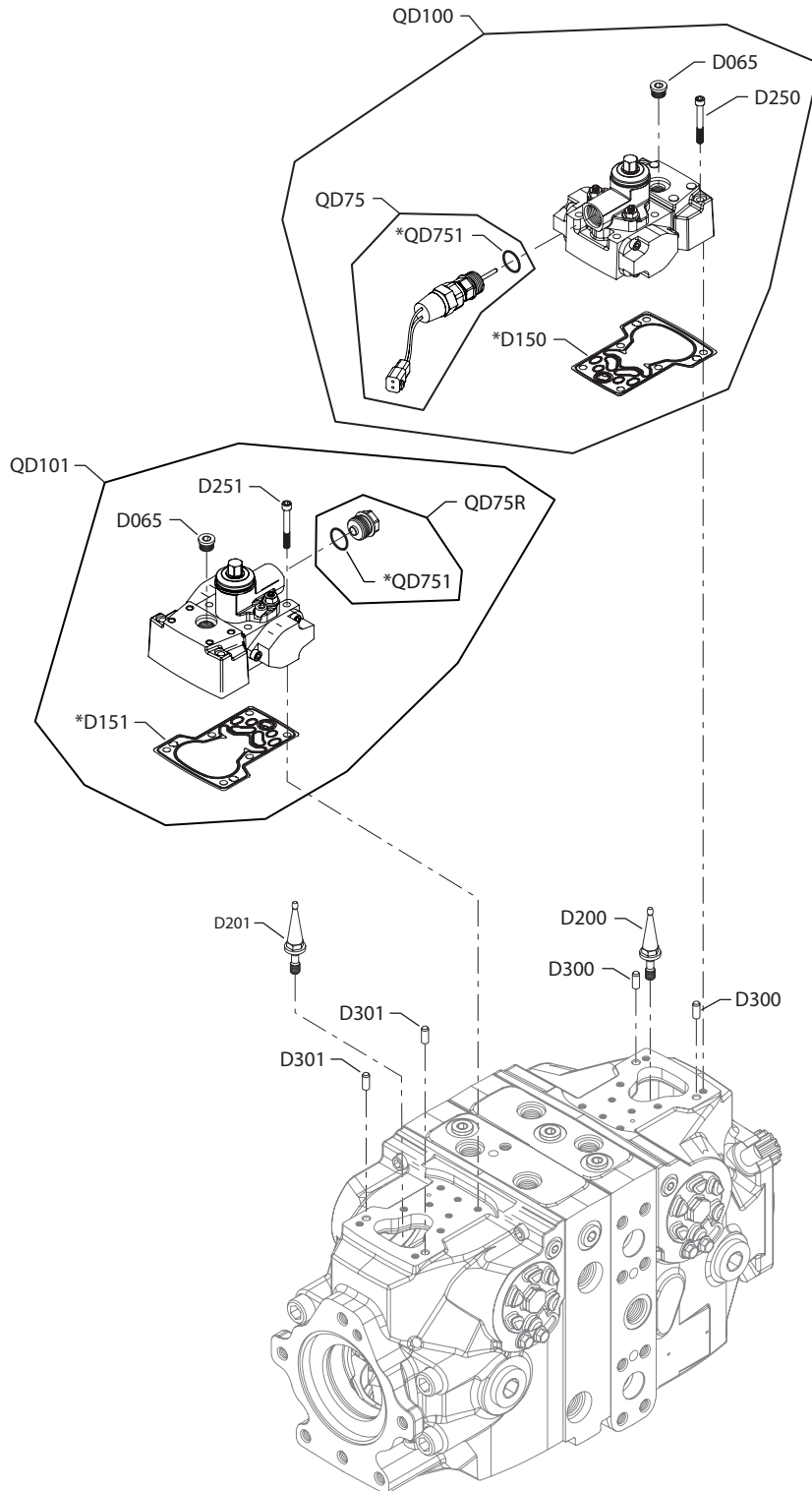

Variable displacement tandem pump
Control

Order Code	Item	Date Begin	Date End	Part Number	Part Name	Qty. per Model/Kit
D7	D050	17-22		716860	Screw, M5 X 12	12
	D060	17-22		612291	Seal nut	1
	D065	17-22		140642	Plug assembly	2
	D150	17-22		11173377	Control gasket	1
	D151	17-22		11173377	Control gasket	1
	D200	17-22		11148827	Swashplate feedback link	1
	D250	17-22		505038	Screw, M6 X 45	6
	D251	17-22		505038	Screw, M6 X 45	6
	D300	17-22		310979	Dowel pin	2
	D301	17-22		310979	Dowel pin	2
	QD25	17-22		140750	Proportional solenoid, 12V, manual override, Deutsch	2
	QD25R	17-22		141301	Proportional solenoid, 12V, Deutsch connector	2
	QD26	17-22		11001952	O-ring	2
	QD26R	17-22		11001952	O-ring	2
	QD27	17-22		11004698	Coil kit, 12V, manual override, Deutsch	2
	QD27R	17-22		11005222	Coil kit, 12V, Deutsch connector	2
	QD28	17-22		063172	O-ring	2
	QD28R	17-22		063172	O-ring	2
	QD29	17-22		11004749	Coil nut	2
	QD29R	17-22		11004749	Coil nut	2
	QD30	17-22		11027883	Cap	2
	QD30R	17-22		11027883	Cap	2
	QD100	17-22		11019732	EDC kit, 12V, manual override, Deutsch conn.	1
	QD101	17-22		11025905	FNR control kit, 12V, manual override, Deutsch conn.	1



Variable displacement tandem pump

(D9)



E103 568E

* = included in overhaul seal kit Q210

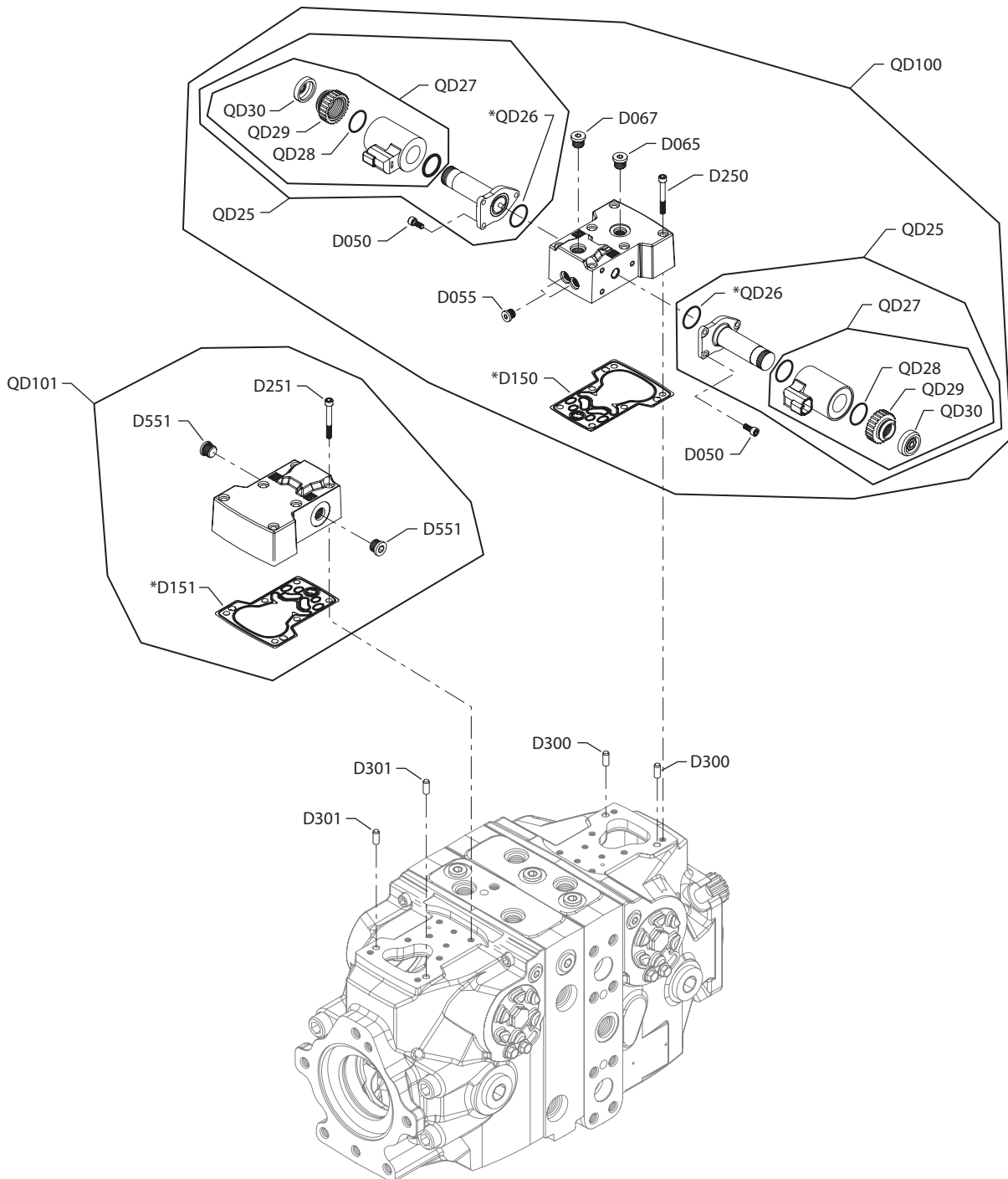

Variable displacement tandem pump
Control

Order Code	Item	Date Begin	Date End	Part Number	Part Name	Qty. per Model/Kit
D9	D065	17-22		140642	Plug assembly	2
	D150	17-22		11173377	Control gasket	1
	D151	17-22		11173377	Control gasket	1
	D200	17-22		11148827	Swashplate feedback link	1
	D201	17-22		11148827	Swashplate feedback link	1
	D250	17-22		505038	Screw, M6 x 45	6
	D251	17-22		505038	Screw, M6 x 45	6
	D300	17-22		310979	Dowel pin	2
	D301	17-22		310979	Dowel pin	2
	QD75	17-22		11126847	Spring seat assembly, neutral start switch	1
	QD75R	17-22		11119332	Spring seat assembly	1
	QD100	17-22		11141236	MDC kit, neutral start switch	1
	QD101	17-22		11141225	MDC kit	1
	QD751	17-22		001131 (9004201-5000)	O-ring	2



Variable displacement tandem pump

(E1)



E103 569E

* = included in overhaul seal kit Q210

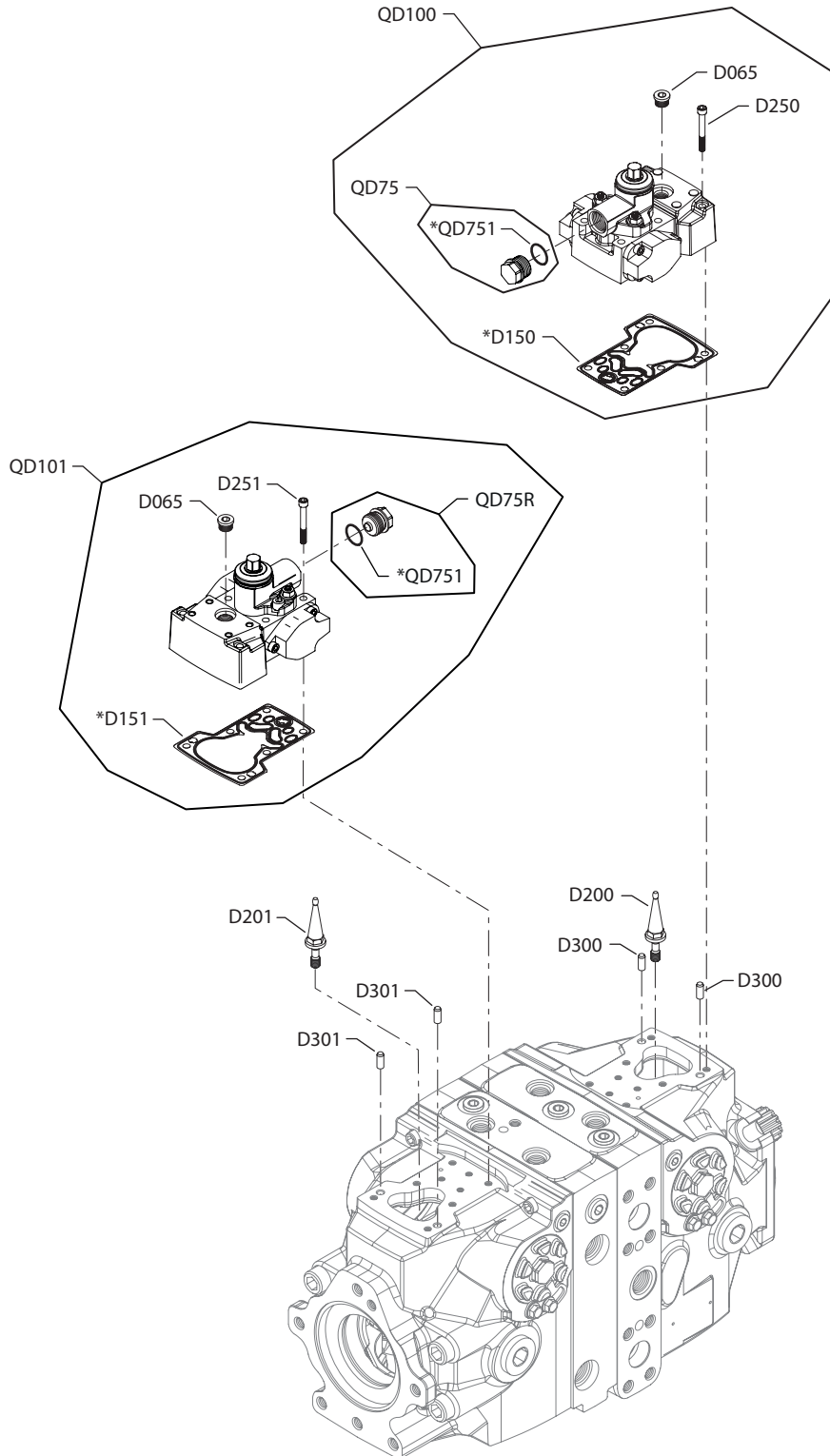

Variable displacement tandem pump
Control

Order Code	Item	Date Begin	Date End	Part Number	Part Name	Qty. per Model/Kit
E1	D050	17-22		716860	Screw, M5 x 12	6
	D055	17-22		11040532	Plug assembly	2
	D065	17-22		140642	Plug assembly	1
	D067	17-22		140642	Plug assembly	1
	D150	17-22		11173377	Control gasket	1
	D151	17-22		11173377	Control gasket	1
	D250	17-22		505038	Screw, M6 X 45	6
	D251	17-22		505038	Screw, M6 X 45	6
	D300	17-22		310979	Dowel pin	2
	D301	17-22		310979	Dowel pin	2
	D551	17-22		140644	Plug assembly	2
	QD25	17-22		140750	Proportional solenoid, 12V, Deutsch connector	2
	QD26	17-22		11001952	O-ring	2
	QD27	17-22		11004698	Coil kit, 24V, Deutsch connector	2
	QD28	17-22		063172	O-ring	2
	QD29	17-22		11004749	Coil nut	2
	QD30	17-22		11027883	Cap	2
	QD100	17-22		11015803	NFPE control kit, 12V, manual override, Deutsch conn.	1
	QD101	17-22		11109588	Remote servo supply kit	1



Variable displacement tandem pump

(M1)



E103 570E

* = included in overhaul seal kit Q210

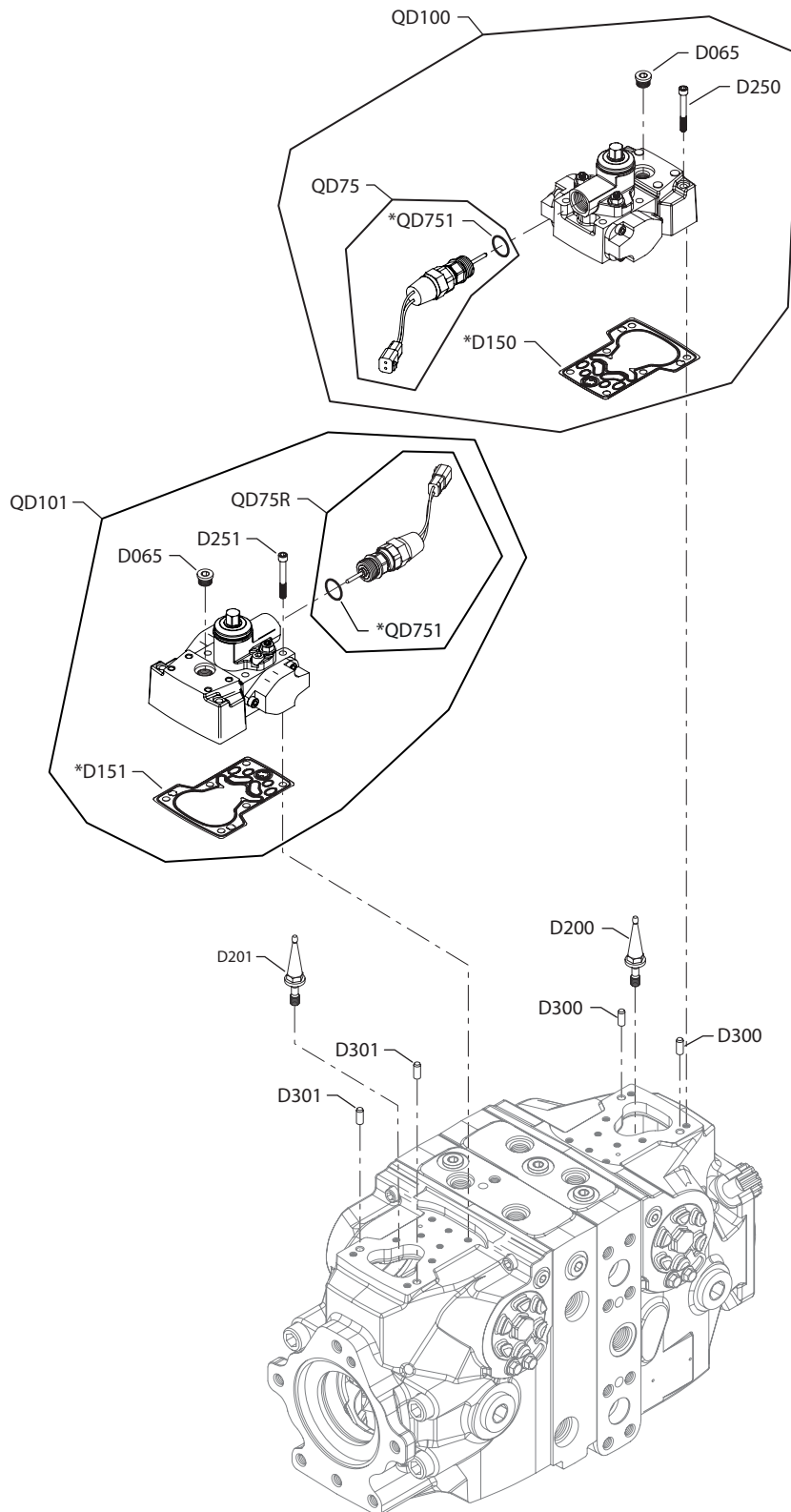

Variable displacement tandem pump
Control

Order Code	Item	Date Begin	Date End	Part Number	Part Name	Qty. per Model/Kit
M1	D065	17-22		140642	Plug assembly	2
	D150	17-22		11173377	Control gasket	1
	D151	17-22		11173377	Control gasket	1
	D200	17-22		11148827	Swashplate feedback link	1
	D201	17-22		11148827	Swashplate feedback link	1
	D250	17-22		505038	Screw, M6 x 45	6
	D251	17-22		505038	Screw, M6 x 45	6
	D300	17-22		310979	Dowel pin	2
	D301	17-22		310979	Dowel pin	2
	QD75	17-22		11119332	Spring seat assembly	1
	QD75R	17-22		11119332	Spring seat assembly	1
	QD100	17-22		11141225	MDC kit	1
	QD101	17-22		11141225	MDC kit	1
	QD751	17-22		001131 (9004201-5000)	O-ring	2



Variable displacement tandem pump

(M2)



E103 571E

* = included in overhaul seal kit Q210

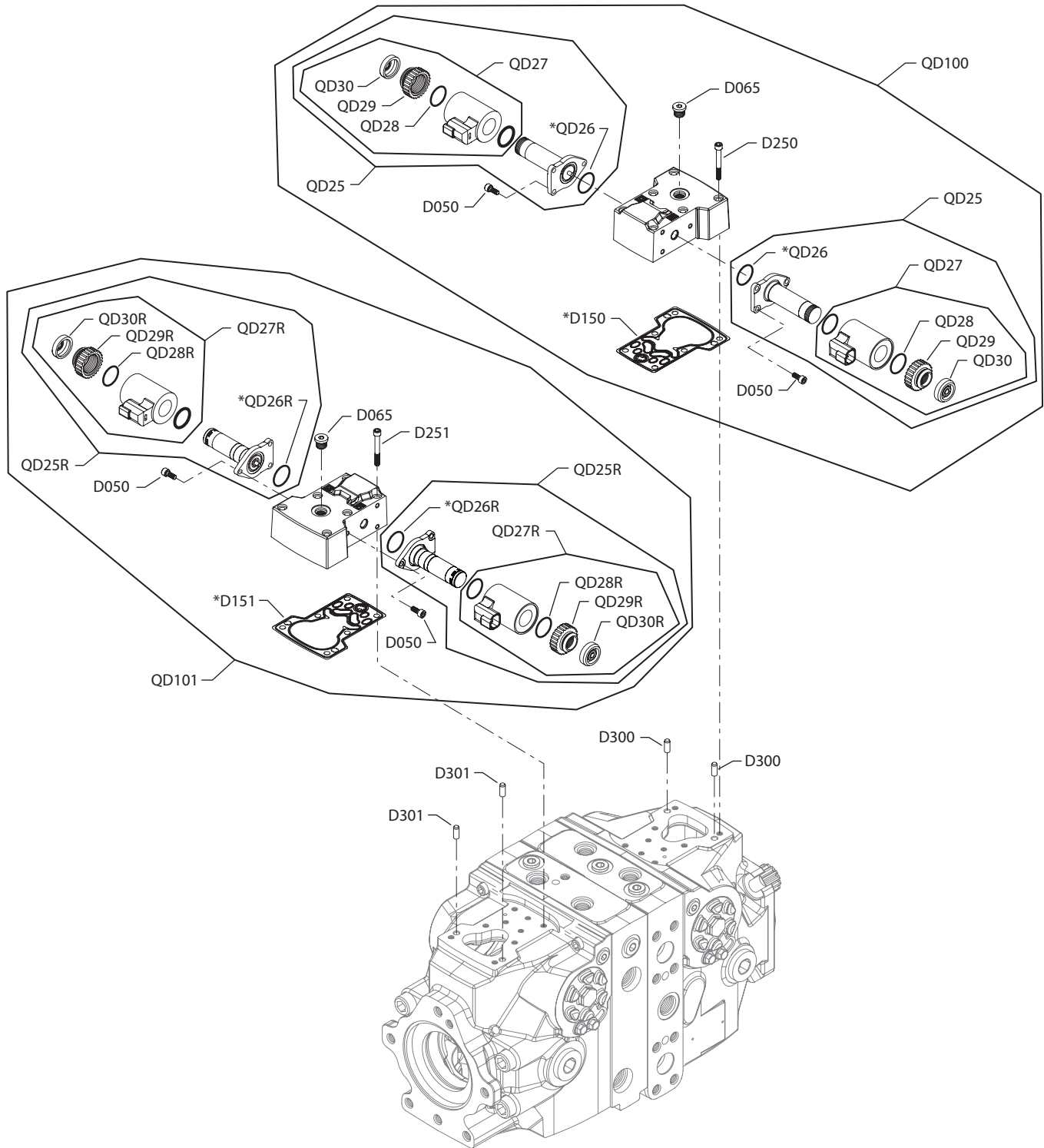

Variable displacement tandem pump
Control

Order Code	Item	Date Begin	Date End	Part Number	Part Name	Qty. per Model/Kit
M2	D065	17-22		140642	Plug assembly	2
	D150	17-22		11173377	Control gasket	1
	D151	17-22		11173377	Control gasket	1
	D200	17-22		11148827	Swashplate feedback link	1
	D201	17-22		11148827	Swashplate feedback link	1
	D250	17-22		505038	Screw, M6 x 45	6
	D251	17-22		505038	Screw, M6 x 45	6
	D300	17-22		310979	Dowel pin	2
	D301	17-22		310979	Dowel pin	2
	QD75	17-22		11119332	Spring seat assembly, neutral start switch	1
	QD75R	17-22		11119332	Spring seat assembly, neutral start switch	1
	QD100	17-22		11141236	MDC kit, neutral start switch	1
	QD101	17-22		11141236	MDC kit, neutral start switch	1
	QD751	17-22		001131 (9004201-5000)	O-ring	2



Variable displacement tandem pump

(N1 & N2)



E103 616E

* = included in overhaul seal kit Q210

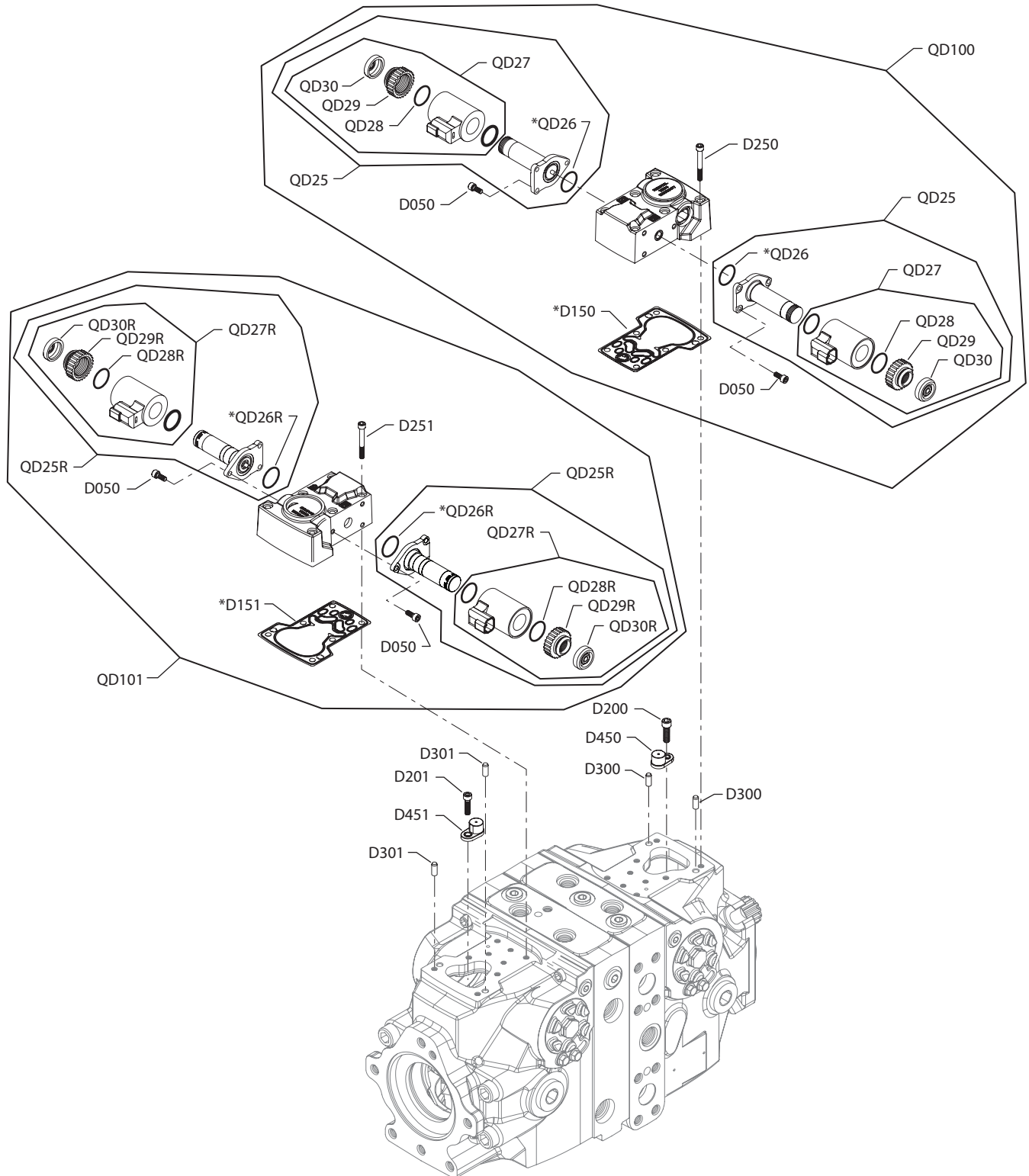

Variable displacement tandem pump
Control

Order Code	Item	Date Begin	Date End	Part Number	Part Name	Qty. per Model/Kit	
N1	D050	17-22		716860	Screw, M5 x 12	12	
	D065	17-22		140642	Plug	2	
	D150	17-22		11173377	Control gasket	1	
	D151	17-22		11173377	Control gasket	1	
	D250	17-22		505038	Screw, M6 x 45	6	
	D251	17-22		505038	Screw, M6 x 45	6	
	D300	17-22		310979	Dowel pin	2	
	D301	17-22		310979	Dowel pin	2	
	QD25	17-22		140750	Proportional solenoid, 12V	2	
	QD25R	17-22		140750	Proportional solenoid, 12V	2	
	QD26	17-22		11001952	O-ring	2	
	QD26R	17-22		11001952	O-ring	2	
	QD27	17-22		11004698	Coil kit, 12V, Deutsch connector	2	
	QD27R	17-22		11004698	Coil kit, 12V, Deutsch connector	2	
	QD28	17-22		063172	O-ring	2	
	QD28R	17-22		063172	O-ring	2	
	QD29	17-22		11004749	Coil nut	2	
	QD29R	17-22		11004749	Coil nut	2	
	QD30	17-22		11027883	Cap	2	
	QD30R	17-22		11027883	Cap	2	
	QD100	17-22		11147921	NFPE control kit, 12V, manual override, Deutsch conn.	1	
	QD101	17-22		11147921	NFPE control kit, 12V, manual override, Deutsch conn.	1	
	N2	D050	17-22		716860	Screw, M5 x 12	12
		D065	17-22		140642	Plug	2
		D150	17-22		11173377	Control gasket	1
		D151	17-22		11173377	Control gasket	1
		D250	17-22		505038	Screw, M6 x 45	6
		D251	17-22		505038	Screw, M6 x 45	6
		D300	17-22		310979	Dowel pin	2
		D301	17-22		310979	Dowel pin	2
QD25		17-22		140751	Proportional solenoid, 24V, manual override, Deutsch conn.	2	
QD25R		17-22		140751	Proportional solenoid, 24V, manual override, Deutsch conn.	2	
QD26		17-22		11001952	O-ring	2	
QD26R		17-22		11001952	O-ring	2	
QD27		17-22		11004700	Coil kit, 24V, manual override, Deutsch conn.	2	
QD27R		17-22		11004700	Coil kit, 24V, manual override, Deutsch conn.	2	
QD28		17-22		063172	O-ring	2	
QD28R		17-22		063172	O-ring	2	
QD29		17-22		11004749	Coil nut	2	
QD29R		17-22		11004749	Coil nut	2	
QD30		17-22		11027883	Cap	2	
QD30R		17-22		11027883	Cap	2	
QD100		17-22		11147925	NFPE control kit, 24V, manual override, Deutsch conn.	1	
QD101		17-22		11147925	NFPE control kit, 24V, manual override, Deutsch conn.	1	



Variable displacement tandem pump

(N5)



E103 617E

* = included in overhaul seal kit Q210

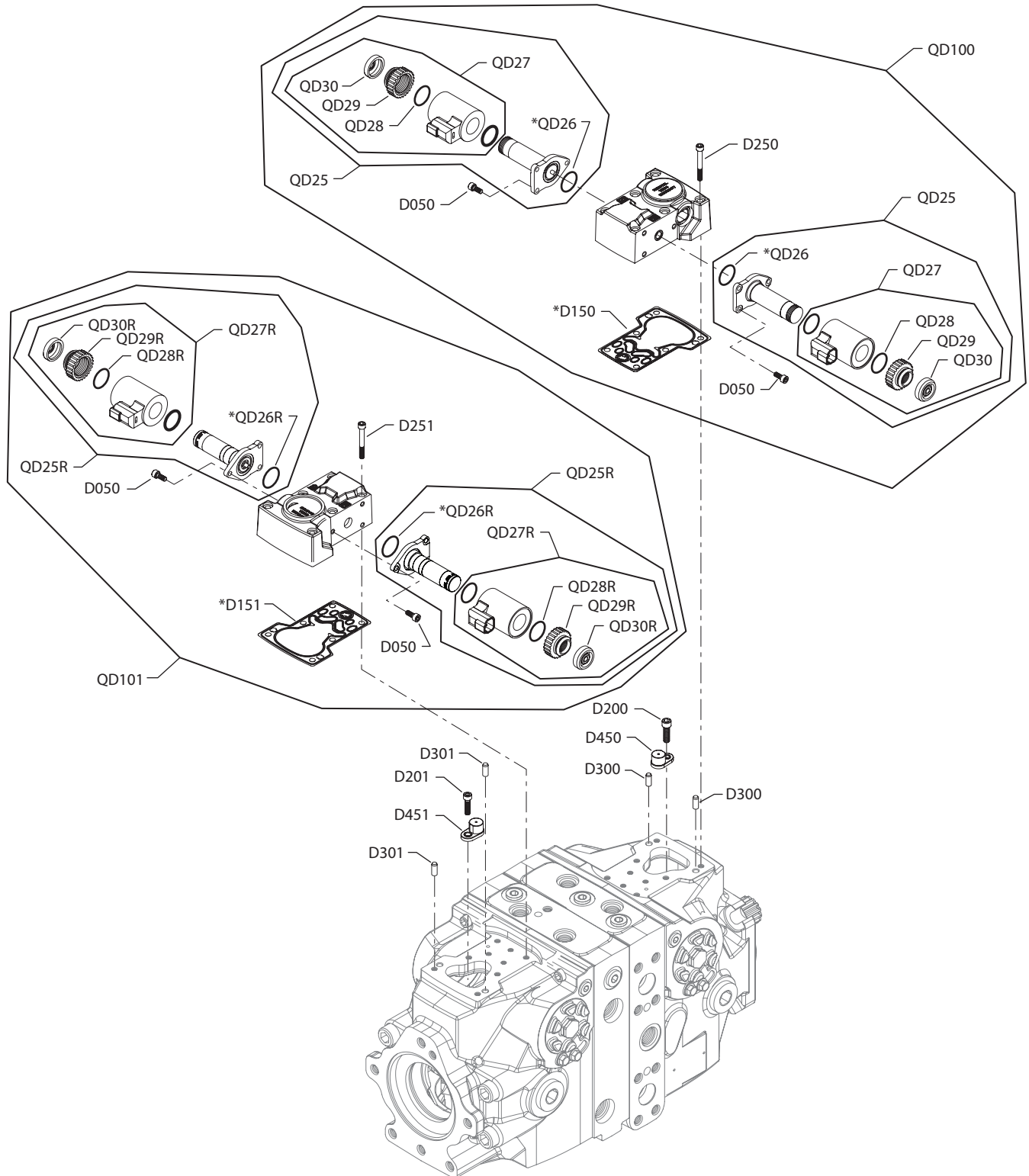

Variable displacement tandem pump
Control

Order Code	Item	Date Begin	Date End	Part Number	Part Name	Qty. per Model/Kit
N5	D050	17-22		716860	Screw, M5 x 12	12
	D150	17-22		11173377	Control gasket	1
	D151	17-22		11173377	Control gasket	1
	D200	17-22		141472	Screw, M8 x 30	1
	D201	17-22		141472	Screw, M8 x 30	1
	D250	17-22		505038	Screw, M6 x 45	6
	D251	17-22		505038	Screw, M6 x 45	6
	D300	17-22		310979	Dowel pin	2
	D301	17-22		310979	Dowel pin	2
	D450	17-22		11003097	Magnetic carrier	1
	D451	17-22		11003097	Magnetic carrier	1
	QD25	17-22		140750	Proportional solenoid, 12V	2
	QD25R	17-22		140750	Proportional solenoid, 12V	2
	QD26	17-22		11001952	O-ring	2
	QD26R	17-22		11001952	O-ring	2
	QD27	17-22		11004698	Coil kit, 12V, Deutsch connector	2
	QD27R	17-22		11004698	Coil kit, 12V, Deutsch connector	2
	QD28	17-22		063172	O-ring	2
	QD28R	17-22		063172	O-ring	2
	QD29	17-22		11004749	Coil nut	2
	QD29R	17-22		11004749	Coil nut	2
	QD30	17-22		11027883	Cap	2
	QD30R	17-22		11027883	Cap	2
	QD100	17-22		11147918	NFPE control kit, 12V, manual override, Deutsch conn.	1
	QD101	17-22		11147918	NFPE control kit, 12V, manual override, Deutsch conn.	1



Variable displacement tandem pump

(N6)



E103 617E

* = included in overhaul seal kit Q210

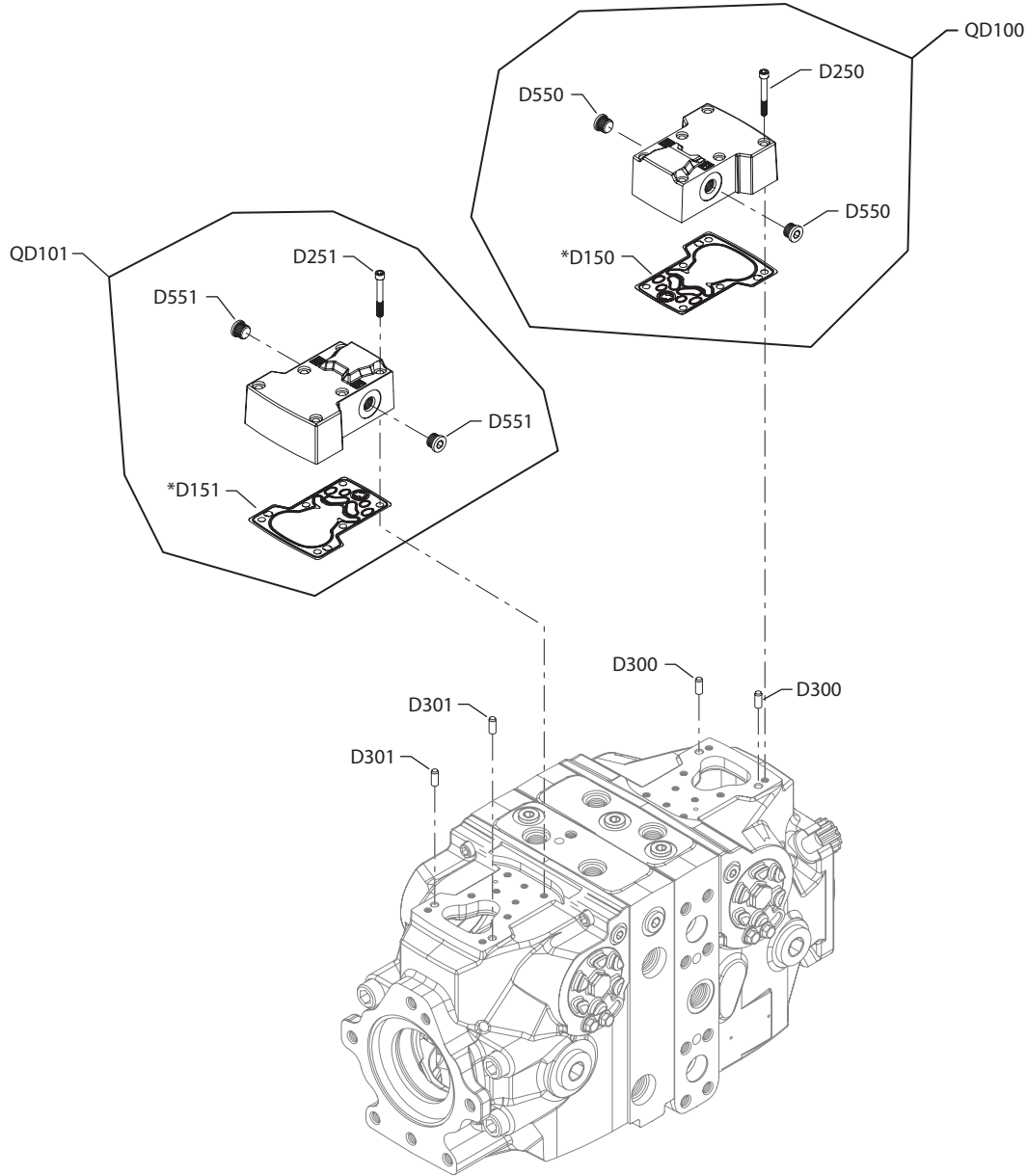

Variable displacement tandem pump
Control

Order Code	Item	Date Begin	Date End	Part Number	Part Name	Qty. per Model/Kit
N6	D050	17-22		716860	Screw, M5 x 12	12
	D150	17-22		11173377	Control gasket	1
	D151	17-22		11173377	Control gasket	1
	D200	17-22		141472	Screw, M8 x 30	1
	D201	17-22		141472	Screw, M8 x 30	1
	D250	17-22		505038	Screw, M6 x 45	6
	D251	17-22		505038	Screw, M6 x 45	6
	D300	17-22		310979	Dowel pin	2
	D301	17-22		310979	Dowel pin	2
	D450	17-22		11003097	Magnetic carrier	1
	D451	17-22		11003097	Magnetic carrier	1
	QD25	17-22		140751	Proportional solenoid, 24V, manual override, Deutsch conn.2	
	QD25R	17-22		140751	Proportional solenoid, 24V, manual override, Deutsch conn.2	
	QD26	17-22		11001952	O-ring	2
	QD26R	17-22		11001952	O-ring	2
	QD27	17-22		11004700	Coil kit, 24V, manual override, Deutsch conn.	2
	QD27R	17-22		11004700	Coil kit, 24V, manual override, Deutsch conn.	2
	QD28	17-22		063172	O-ring	2
	QD28R	17-22		063172	O-ring	2
	QD29	17-22		11004750	Coil nut	2
	QD29R	17-22		11004750	Coil nut	2
	QD30	17-22		11027883	Cap	2
	QD30R	17-22		11027883	Cap	2
	QD100	17-22		11147922	NFPE control kit, 24V, manual override, Deutsch conn.	1
	QD101	17-22		11147922	NFPE control kit, 24V, manual override, Deutsch conn.	1



Variable displacement tandem pump

(NN)



E103 572E

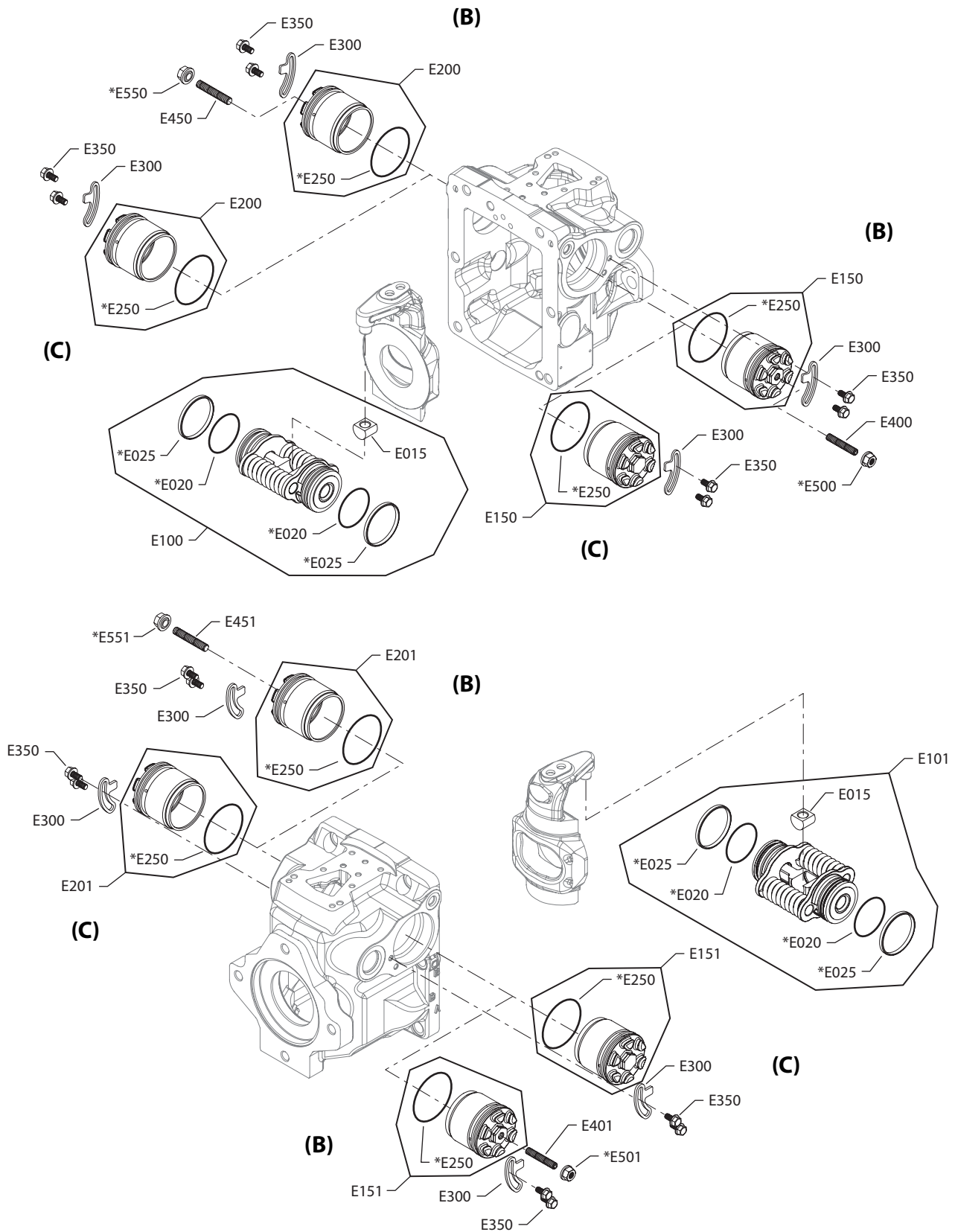
* = included in overhaul seal kit Q210


Variable displacement tandem pump
Control

Order Code	Item	Date Begin	Date End	Part Number	Part Name	Qty. per Model/Kit
NN	D150	17-22		11173377	Control gasket	1
	D151	17-22		11173377	Control gasket	1
	D250	17-22		505038	Screw, M6 X 45	6
	D251	17-22		505038	Screw, M6 X 45	6
	D300	17-22		310979	Dowel pin	2
	D301	17-22		310979	Dowel pin	2
	D550	17-22		140644	Plug assembly	2
	D551	17-22		140644	Plug assembly	2
	QD100	17-22		11109588	Remote servo supply kit	1
	QD101	17-22		11109588	Remote servo supply kit	1



Variable displacement tandem pump



E101 733E

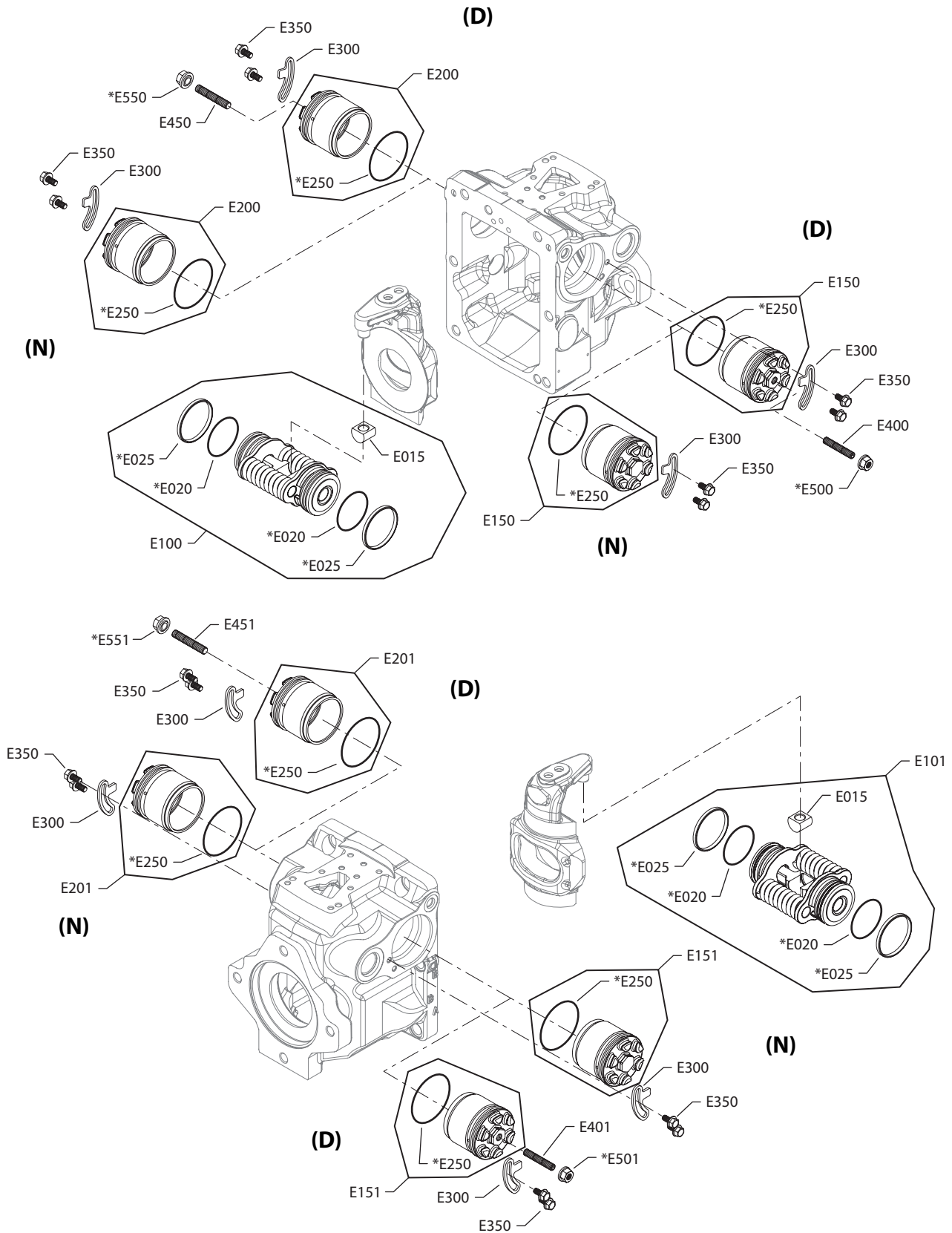
* = included in overhaul seal kit Q210


Variable displacement tandem pump
Displacement limitation

Order Code	Item	Date Begin	Date End	Part Number	Part Name	Qty. per Model/Kit
B	E015	17-22		11141989	Slider block	2
	E020	17-22		11045358	O-ring	4
	E025	17-22		11040065	Piston ring	4
	E100	17-22		11142039	Servo piston assembly	1
	E101	17-22		11142039	Servo piston assembly	1
	E150	17-22		11081815	Servo cylinder assembly, adjustable	1
	E151	17-22		11081815	Servo cylinder assembly, adjustable	1
	E200	17-22		11081815	Servo cylinder assembly, adjustable	1
	E201	17-22		11081815	Servo cylinder assembly, adjustable	1
	E250	17-22		11045233	O-ring	4
	E300	17-22		11041776	Locking plate	4
	E350	17-22		508438	Screw, M6 x 12	8
	E400	17-22		719401	Set screw, M8 x 50	1
	E401	17-22		719401	Set screw, M8 x 50	1
	E450	17-22		719401	Set screw, M8 x 50	1
	E451	17-22		719401	Set screw, M8 x 50	1
	E500	17-22		505412 (9003509-0008)	Seal nut, M8	1
	E501	17-22		505412 (9003509-0008)	Seal nut, M8	1
	E550	17-22		505412 (9003509-0008)	Seal nut, M8	1
	E551	17-22		505412 (9003509-0008)	Seal nut, M8	1
C	E015	17-22		11141989	Slider block	2
	E020	17-22		11045358	O-ring	4
	E025	17-22		11040065	Piston ring	4
	E100	17-22		11142040	Servo piston assembly, nested spring	1
	E101	17-22		11142040	Servo piston assembly, nested spring	1
	E150	17-22		11081814	Servo cylinder assembly	1
	E151	17-22		11081814	Servo cylinder assembly	1
	E200	17-22		11081814	Servo cylinder assembly	1
	E201	17-22		11081814	Servo cylinder assembly	1
	E250	17-22		11045233	O-ring	4
	E300	17-22		11041776	Locking plate	4
	E350	17-22		508438	Screw, M6 x 12	8



Variable displacement tandem pump



E101 733E

* = included in overhaul seal kit Q210

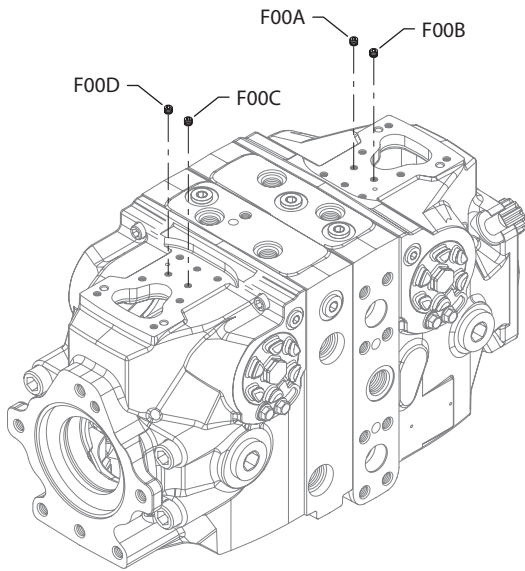

Variable displacement tandem pump
Displacement limitation

Order Code	Item	Date Begin	Date End	Part Number	Part Name	Qty. per Model/Kit
D	E015	17-22		11141989	Slider block (SB-2011-020)	2
	E020	17-22		11045358	O-ring	4
	E025	17-22		11040065	Piston ring	4
	E100	17-22		11142040	Servo piston assembly, nested spring	1
	E101	17-22		11142040	Servo piston assembly, nested spring	1
	E150	17-22		11081815	Servo cylinder assembly, adjustable	1
	E151	17-22		11081815	Servo cylinder assembly, adjustable	1
	E200	17-22		11081815	Servo cylinder assembly, adjustable	1
	E201	17-22		11081815	Servo cylinder assembly, adjustable	1
	E250	17-22		11045233	O-ring	4
	E300	17-22		11041776	Locking plate	4
	E350	17-22		508438	Screw, M6 x 12	8
	E400	17-22		719401	Set screw, M8 x 50	1
	E401	17-22		719401	Set screw, M8 x 50	1
	E450	17-22		719401	Set screw, M8 x 50	1
	E451	17-22		719401	Set screw, M8 x 50	1
	E500	17-22		505412 (9003509-0008)	Seal nut, M8	1
	E501	17-22		505412 (9003509-0008)	Seal nut, M8	1
	E550	17-22		505412 (9003509-0008)	Seal nut, M8	1
	E551	17-22		505412 (9003509-0008)	Seal nut, M8	1
N	E015	17-22		11141989	Slider block	2
	E020	17-22		11045358	O-ring	4
	E025	17-22		11040065	Piston ring	4
	E100	17-22		11142039	Servo piston assembly	1
	E101	17-22		11142039	Servo piston assembly	1
	E150	17-22		11081814	Servo cylinder assembly	1
	E151	17-22		11081814	Servo cylinder assembly	1
	E200	17-22		11081814	Servo cylinder assembly	1
	E201	17-22		11081814	Servo cylinder assembly	1
	E250	17-22		11045233	O-ring	4
	E300	17-22		11041776	Locking plate	4
	E350	17-22		508438	Screw, M6 x 12	8

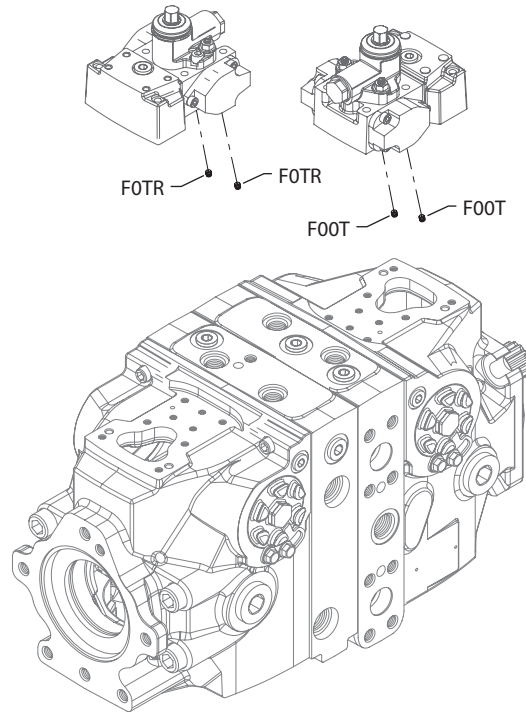


Variable displacement tandem pump

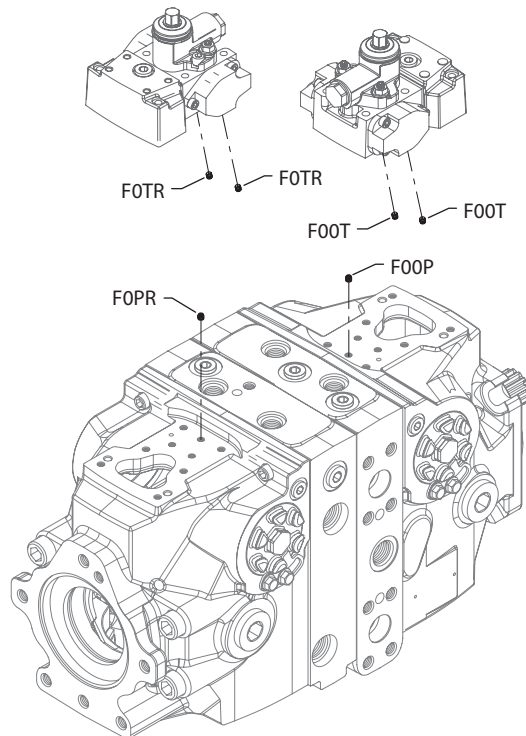
(C1 & C2)



(C6 & C7)



(C8, C9, D1, D2 & D3)



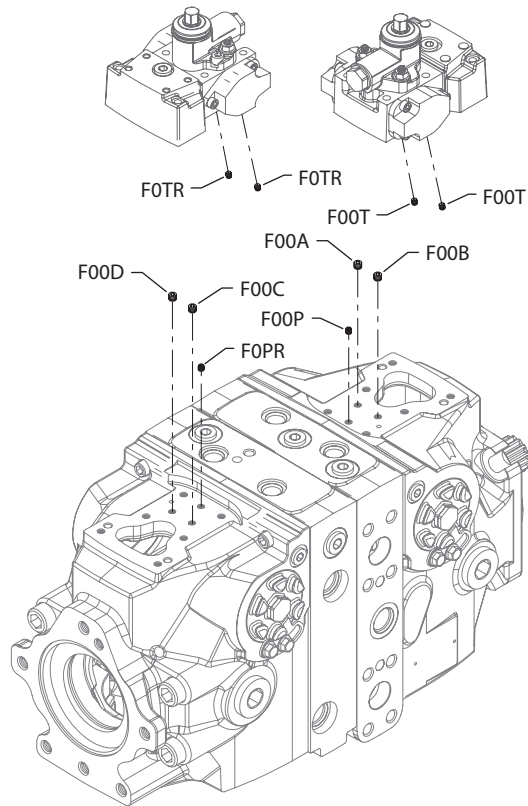

Variable displacement tandem pump
Orifice

Order Code	Item	Date Begin	Date End	Part Number	Part Name	Qty. per Model/Kit
C1	F00A	17-22		140611	Orifice, 0.8, M6 x 0.75 mm	1
	F00B	17-22		140611	Orifice, 0.8, M6 x 0.75 mm	1
	F00C	17-22		140611	Orifice, 0.8, M6 x 0.75 mm	1
	F00D	17-22		140611	Orifice, 0.8, M6 x 0.75 mm	1
C2	F00A	17-22		140754	Orifice, 1.3, M6 x 0.75 mm	1
	F00B	17-22		140754	Orifice, 1.3, M6 x 0.75 mm	1
	F00C	17-22		140754	Orifice, 1.3, M6 x 0.75 mm	1
	F00D	17-22		140754	Orifice, 1.3, M6 x 0.75 mm	1
C3			None			
C6	F00T	17-22		11151734	Orifice, 1.0 M6 x 0.75 mm	2
	F0TR	17-22		11151734	Orifice, 1.0 M6 x 0.75 mm	2
C7	F00T	17-22		140754	Orifice, 1.3, M6 x 0.75 mm	2
	F0TR	17-22		140754	Orifice, 1.3, M6 x 0.75 mm	2
C8	F00P	17-22		140611	Orifice, 0.8 M6 x 0.75 mm	1
	F00T	17-22		11151733	Orifice, 0.6 M6 x 0.75 mm	2
	F0PR	17-22		140611	Orifice, 0.8 M6 x 0.75 mm	1
	F0TR	17-22		11151733	Orifice, 0.6 M6 x 0.75 mm	2
C9	F00P	17-22		11151734	Orifice, 1.0 M6 x 0.75 mm	1
	F00T	17-22		11151733	Orifice, 0.6 M6 x 0.75 mm	2
	F0PR	17-22		11151734	Orifice, 1.0 M6 x 0.75 mm	1
	F0TR	17-22		11151733	Orifice, 0.6 M6 x 0.75 mm	2
D1	F00P	17-22		11151734	Orifice, 1.0 M6 x 0.75 mm	1
	F00T	17-22		140611	Orifice, 0.8 M6 x 0.75 mm	2
	F0PR	17-22		11151734	Orifice, 1.0 M6 x 0.75 mm	1
	F0TR	17-22		140611	Orifice, 0.8 M6 x 0.75 mm	2
D2	F00P	17-22		140754	Orifice, 1.3, M6 x 0.75 mm	1
	F00T	17-22		140611	Orifice, 0.8 M6 x 0.75 mm	2
	F0PR	17-22		140754	Orifice, 1.3, M6 x 0.75 mm	1
	F0TR	17-22		140611	Orifice, 0.8 M6 x 0.75 mm	2
D3	F00P	17-22		140754	Orifice, 1.3, M6 x 0.75 mm	1
	F00T	17-22		11151734	Orifice, 1.0 M6 x 0.75 mm	2
	F0PR	17-22		140754	Orifice, 1.3, M6 x 0.75 mm	1
	F0TR	17-22		11151734	Orifice, 1.0 M6 x 0.75 mm	2



Variable displacement tandem pump

(D4 & D5)



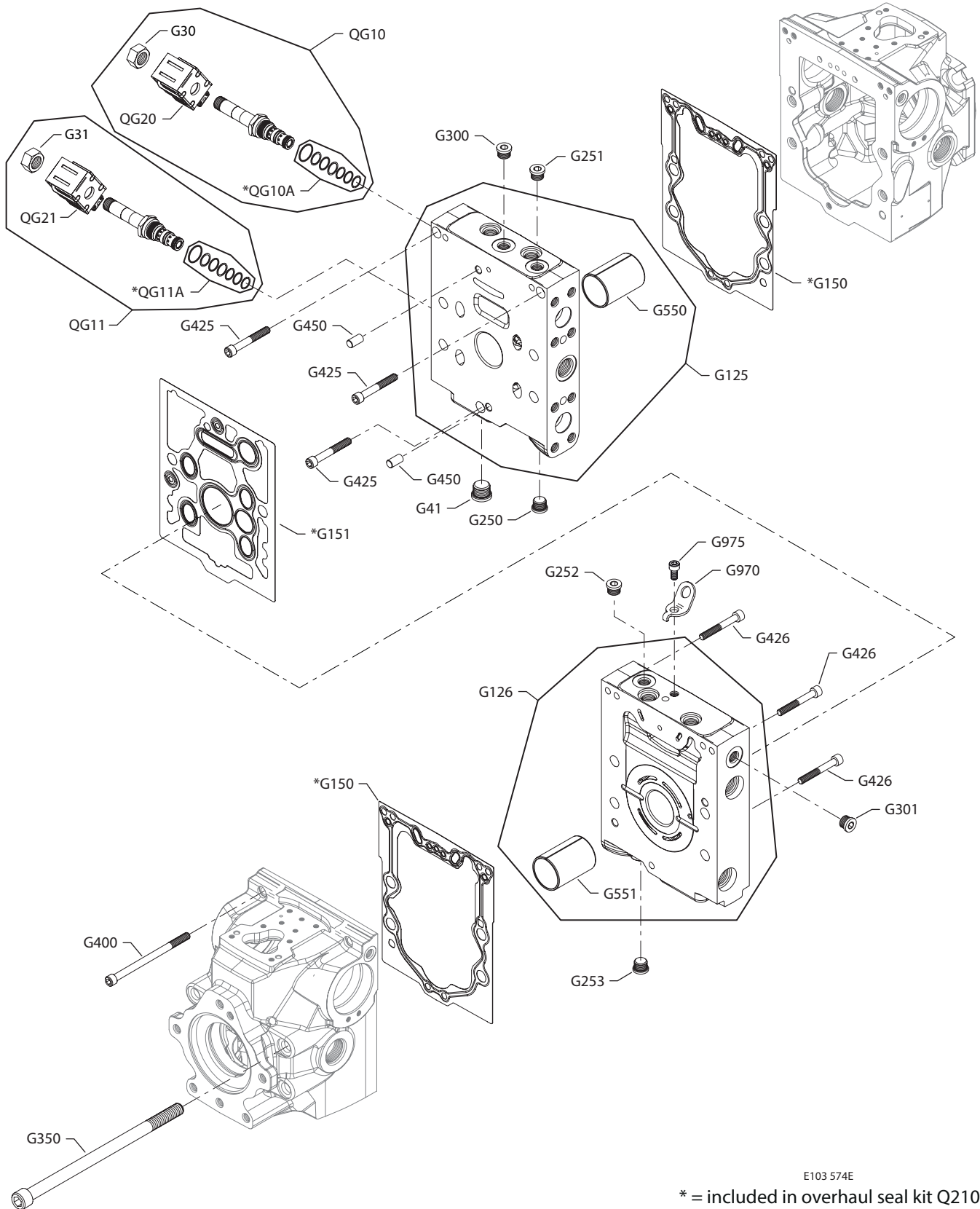

Variable displacement tandem pump
Orifice

Order Code	Item	Date Begin	Date End	Part Number	Part Name	Qty. per Model/Kit
D4	F00A	17-22		140754	Orifice, 1.3, M6 x 0.75 mm	1
	F00B	17-22		140754	Orifice, 1.3, M6 x 0.75 mm	1
	F00C	17-22		140754	Orifice, 1.3, M6 x 0.75 mm	1
	F00D	17-22		140754	Orifice, 1.3, M6 x 0.75 mm	1
	F00P	17-22		140754	Orifice, 1.3, M6 x 0.75 mm	1
	F00T	17-22		11151734	Orifice, 1.0 M6 x 0.75 mm	2
	F0PR	17-22		140754	Orifice, 1.3, M6 x 0.75 mm	1
	F0TR	17-22		11151734	Orifice, 1.0 M6 x 0.75 mm	2
	D5	F00A	17-22		140611	Orifice, 0.8 M6 x 0.75 mm
F00B		17-22		140611	Orifice, 0.8 M6 x 0.75 mm	1
F00C		17-22		140611	Orifice, 0.8 M6 x 0.75 mm	1
F00D		17-22		140611	Orifice, 0.8 M6 x 0.75 mm	1
F00P		17-22		11151733	Orifice, 0.6 M6 x 0.75 mm	1
F00T		17-22		11151733	Orifice, 0.6 M6 x 0.75 mm	2
F0PR		17-22		11151733	Orifice, 0.6 M6 x 0.75 mm	1
F0TR		17-22		11151733	Orifice, 0.6 M6 x 0.75 mm	2



Variable displacement tandem pump

(H3)



E103 574E

* = included in overhaul seal kit Q210

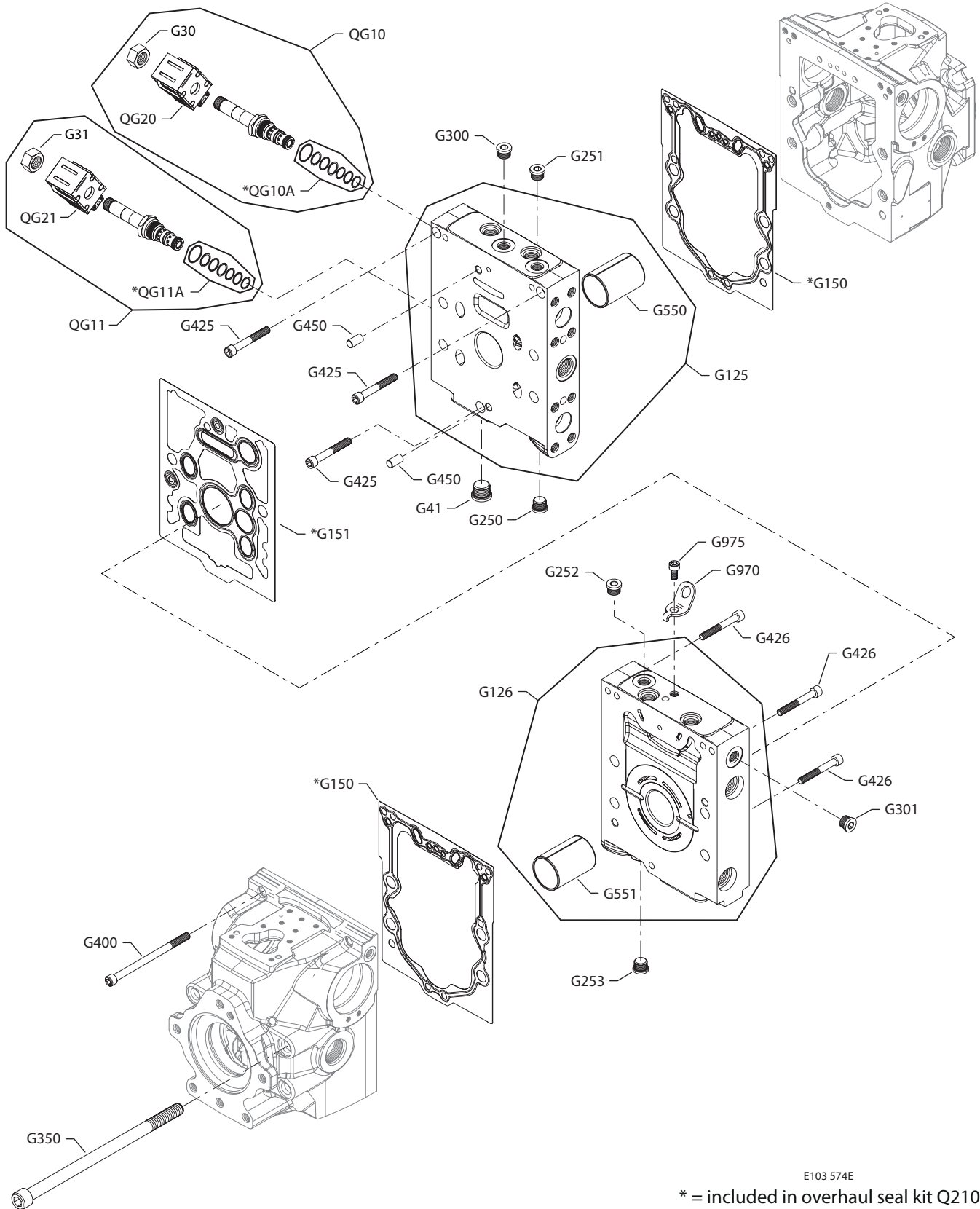

Variable displacement tandem pump
Centersection

Order Code	Item	Date Begin	Date End	Part Number	Part Name	Qty. per Model/Kit
H3	G30	17-22		11036497	Coil nut	1
	G31	17-22		11036497	Coil nut	1
	G41	17-22		9005110-7500	Plug assembly	1
	G125	17-22		11125391	Centersection assembly, CW, A & B ports	1
	G125	17-22		11143992	Centersection assembly, CCW, A & B ports	1
	G126	17-22		11125389	Centersection assembly, CW, C & D ports	1
	G126	17-22		11143997	Centersection assembly, CCW, C & D ports	1
	G150	17-22		11123580	End cap gasket	2
	G151	17-22		11159706	End cap gasket	1
	G250	17-22		140644	Plug assembly	1
	G251	17-22		140644	Plug assembly	1
	G252	17-22		140644	Plug assembly	1
	G253	17-22		140644	Plug assembly	1
	G300	17-22		140644	Plug assembly	1
	G301	17-22		140644	Plug assembly	1
	G350	17-22		11121458	Screw, M14 x 270	4
	G400	17-22		11121457	Screw, M8 x 150	2
	G425	17-22		11121456	Screw, M8 x 60	3
	G426	17-22		11121456	Screw, M8 x 60	3
	G450	17-22		5000757	Pin	2
	G550	17-22		11131650	Journal bearing	1
	G551	17-22		11038841	Journal bearing	1
	G970	17-22		11040737	Lifting bracket	1
	G975	17-22		393686	Screw, M10 x 20	1
	QG10	17-22		4510473	Control cut-off valve kit, 12 volt	1
	QG10A	17-22		11177222	Cartridge seal kit	1
	QG11	17-22		4510473	Control cut-off valve kit, 12 volt	1
	QG11A	17-22		11177222	Cartridge seal kit	1
	QG20	17-22		11160555	Coil, 12 volt, deutsch connector	1
	QG21	17-22		11160555	Coil, 12 volt, deutsch connector	1



Variable displacement tandem pump

(H4)



E103 574E

* = included in overhaul seal kit Q210

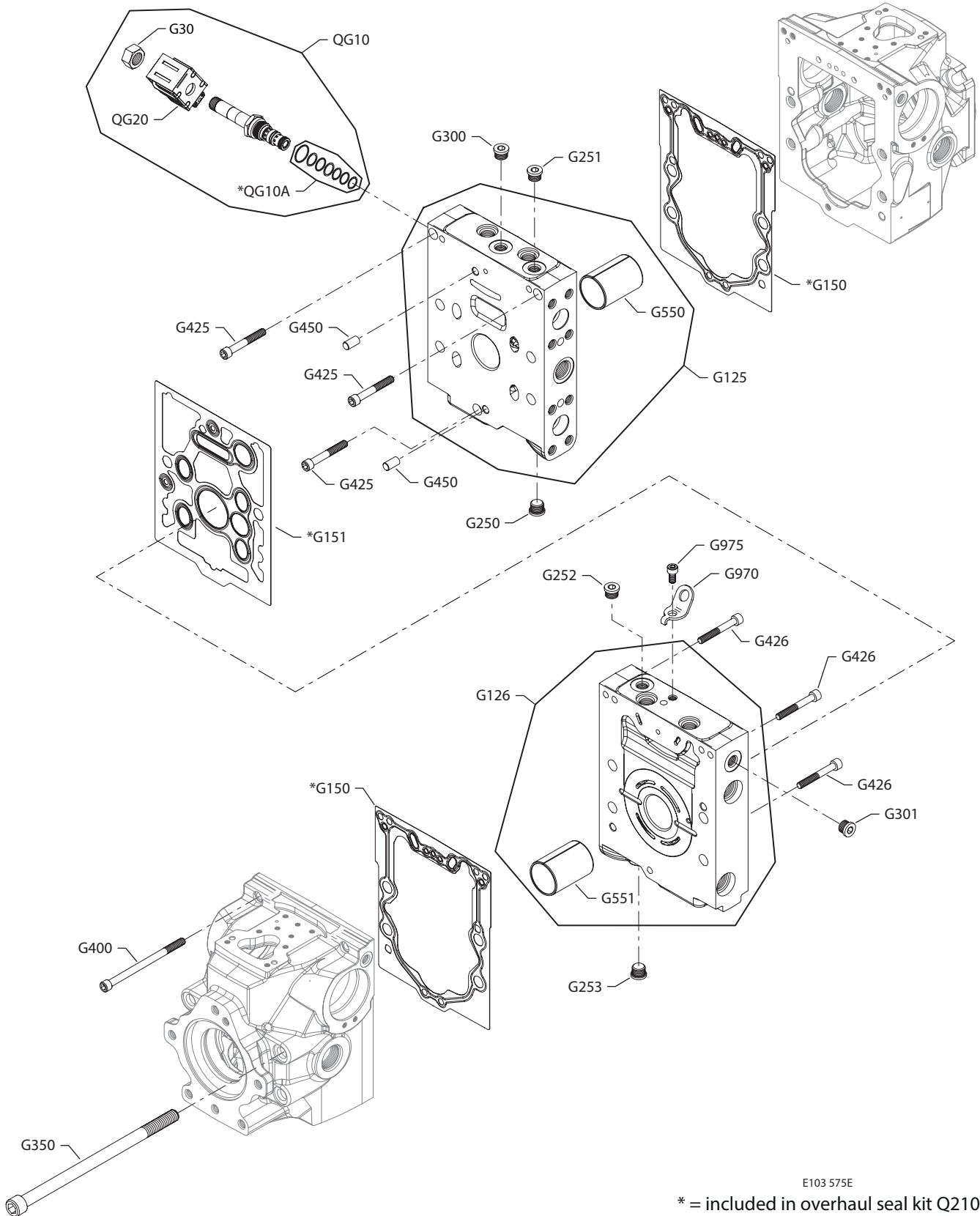

Variable displacement tandem pump
Centersection

Order Code	Item	Date Begin	Date End	Part Number	Part Name	Qty. per Model/Kit
H4	G30	17-22		11036497	Coil nut	1
	G31	17-22		11036497	Coil nut	1
	G41	17-22		9005110-7500	Plug assembly	1
	G125	17-22		11125391	Centersection assembly, CW, A & B ports	1
	G125	17-22		11143992	Centersection assembly, CCW, A & B ports	1
	G126	17-22		11125389	Centersection assembly, CW, C & D ports	1
	G126	17-22		11143997	Centersection assembly, CCW, C & D ports	1
	G150	17-22		11123580	End cap gasket	2
	G151	17-22		11159706	End cap gasket	1
	G250	17-22		140644	Plug assembly	1
	G251	17-22		140644	Plug assembly	1
	G252	17-22		140644	Plug assembly	1
	G253	17-22		140644	Plug assembly	1
	G300	17-22		140644	Plug assembly	1
	G301	17-22		140644	Plug assembly	1
	G350	17-22		11121458	Screw, M14 x 270	4
	G400	17-22		11121457	Screw, M8 x 150	2
	G425	17-22		11121456	Screw, M8 x 60	3
	G426	17-22		11121456	Screw, M8 x 60	3
	G450	17-22		5000757	Pin	2
	G550	17-22		11131650	Journal bearing	1
	G551	17-22		11038841	Journal bearing	1
	G970	17-22		11040737	Lifting bracket	1
	G975	17-22		393686	Screw, M10 x 20	1
	QG10	17-22		11015625	Control cut-off valve kit, 24 volt	1
	QG10A	17-22		11177222	Cartridge seal kit	1
	QG11	17-22		11015625	Control cut-off valve kit, 24 volt	1
	QG11A	17-22		11177222	Cartridge seal kit	1
	QG20	17-22		11160558	Coil, 24 volt, deutsch connector	1
	QG21	17-22		11160558	Coil, 24 volt, deutsch connector	1



Variable displacement tandem pump

(H5)



E103 575E

* = included in overhaul seal kit Q210

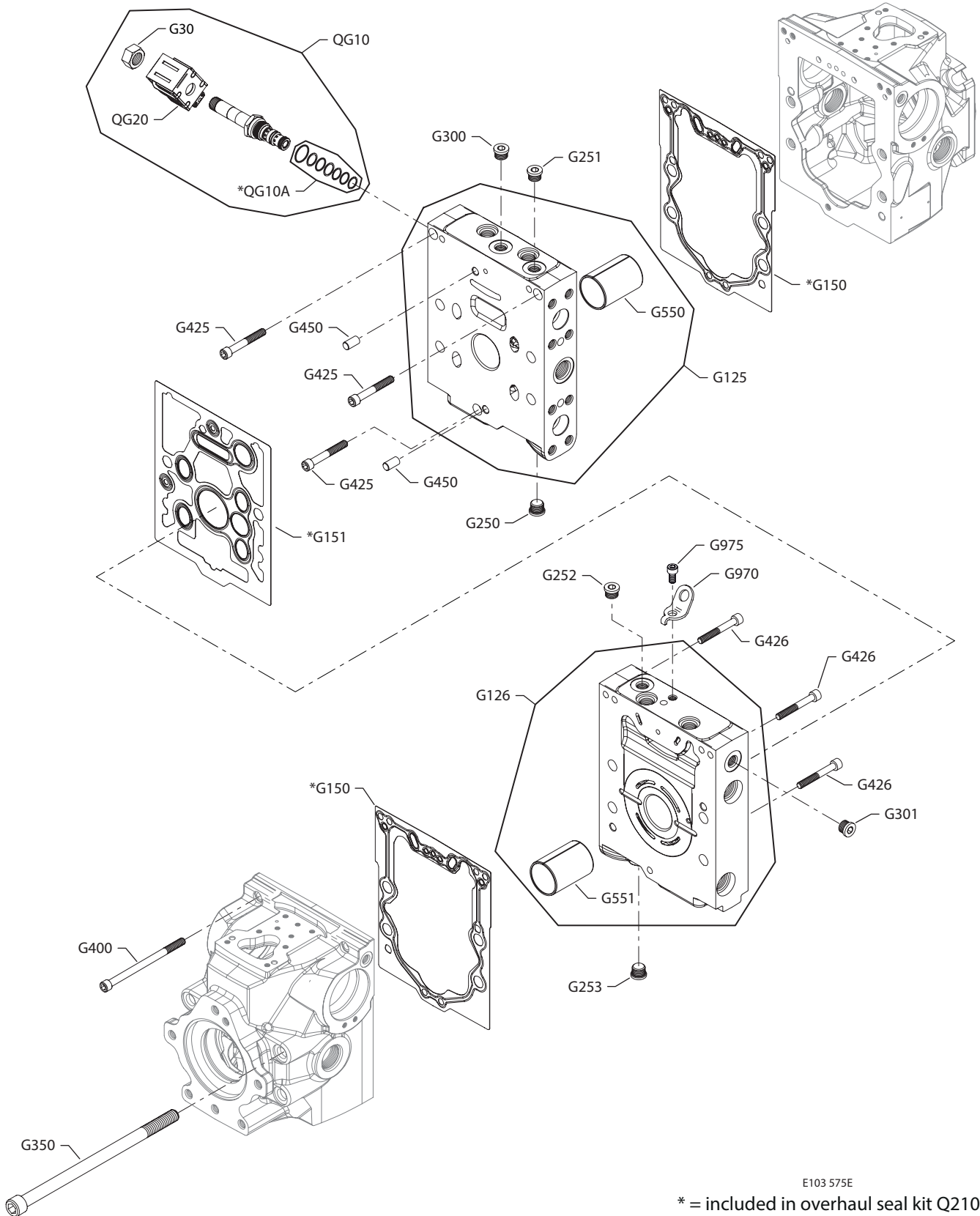

Variable displacement tandem pump
Centersection

Order Code	Item	Date Begin	Date End	Part Number	Part Name	Qty. per Model/Kit
H5	G30	17-22		11036497	Coil nut	1
	G125	17-22		11143989	Centersection assembly, CW, A & B ports	1
	G125	17-22		11143993	Centersection assembly, CCW, A & B ports	1
	G126	17-22		11125389	Centersection assembly, CW, C & D ports	1
	G126	17-22		11143997	Centersection assembly, CCW, C & D ports	1
	G150	17-22		11123580	End cap gasket	2
	G151	17-22		11159706	End cap gasket	1
	G250	17-22		140644	Plug assembly	1
	G251	17-22		140644	Plug assembly	1
	G252	17-22		140644	Plug assembly	1
	G253	17-22		140644	Plug assembly	1
	G300	17-22		140644	Plug assembly	1
	G301	17-22		140644	Plug assembly	1
	G350	17-22		11121458	Screw, M14 x 270	4
	G400	17-22		11121457	Screw, M8 x 150	2
	G425	17-22		11121456	Screw, M8 x 60	3
	G426	17-22		11121456	Screw, M8 x 60	3
	G450	17-22		5000757	Pin	2
	G550	17-22		11131650	Journal bearing	1
	G551	17-22		11038841	Journal bearing	1
	G970	17-22		11040737	Lifting bracket	1
	G975	17-22		393686	Screw, M10 x 20	1
	QG10	17-22		4510473	Control cut-off valve kit, 12 volt	1
	QG10A	17-22		11177222	Cartridge seal kit	1
	QG20	17-22		11160555	Coil, 12 volt, deutsch connector	1



Variable displacement tandem pump

(H6)



E103 575E

* = included in overhaul seal kit Q210

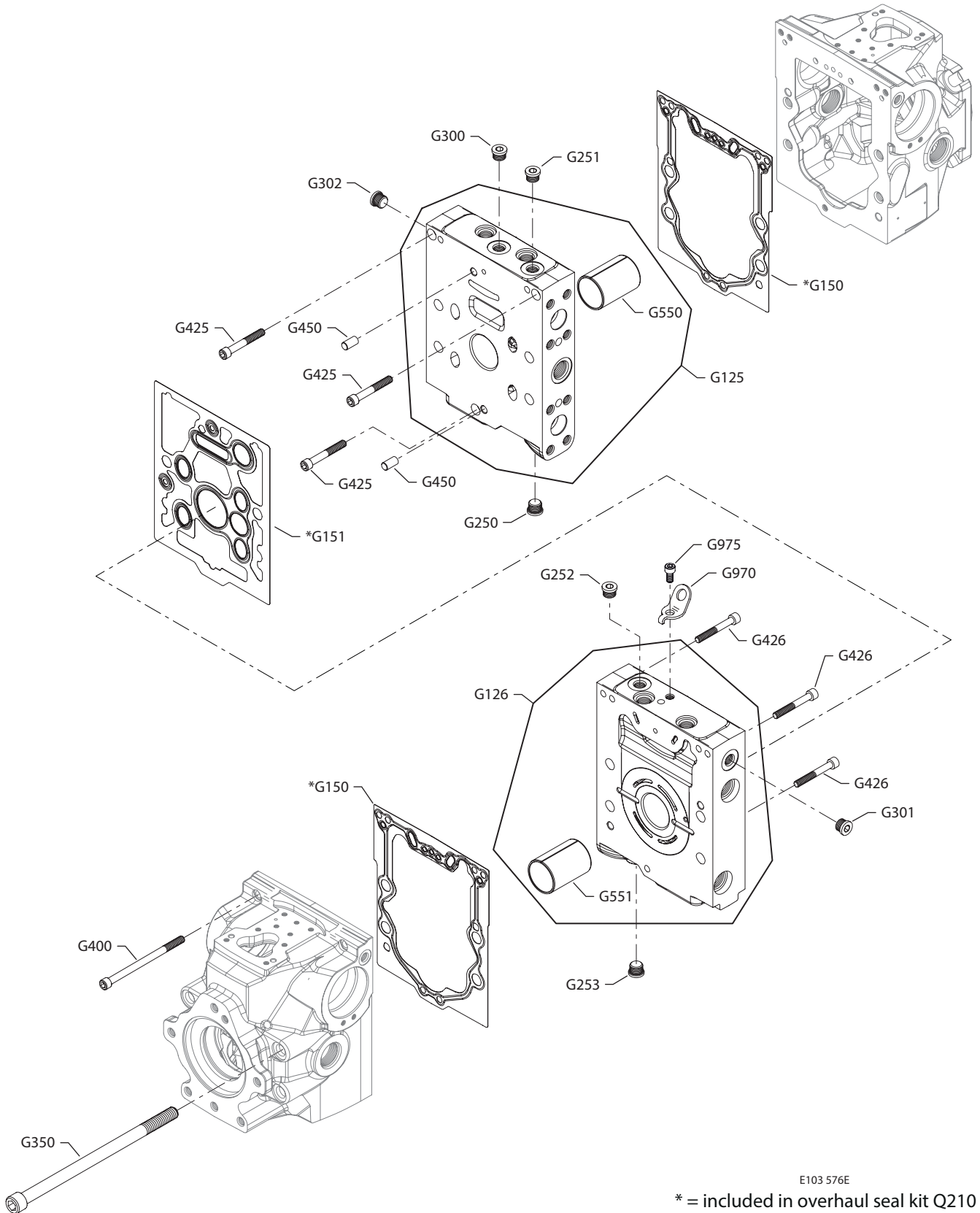

Variable displacement tandem pump
Centersection

Order Code	Item	Date Begin	Date End	Part Number	Part Name	Qty. per Model/Kit
H6	G30	17-22		11036497	Coil nut	1
	G125	17-22		11143989	Centersection assembly, CW, A & B ports	1
	G125	17-22		11143993	Centersection assembly, CCW, A & B ports	1
	G126	17-22		11125389	Centersection assembly, CW, C & D ports	1
	G126	17-22		11143997	Centersection assembly, CCW, C & D ports	1
	G150	17-22		11123580	End cap gasket	2
	G151	17-22		11159706	End cap gasket	1
	G250	17-22		140644	Plug assembly	1
	G251	17-22		140644	Plug assembly	1
	G252	17-22		140644	Plug assembly	1
	G253	17-22		140644	Plug assembly	1
	G300	17-22		140644	Plug assembly	1
	G301	17-22		140644	Plug assembly	1
	G350	17-22		11121458	Screw, M14 x 270	4
	G400	17-22		11121457	Screw, M8 x 150	2
	G425	17-22		11121456	Screw, M8 x 60	3
	G426	17-22		11121456	Screw, M8 x 60	3
	G450	17-22		5000757	Pin	2
	G550	17-22		11131650	Journal bearing	1
	G551	17-22		11038841	Journal bearing	1
	G970	17-22		11040737	Lifting bracket	1
	G975	17-22		393686	Screw, M10 x 20	1
	QG10	17-22		11015625	Control cut-off valve kit, 24 volt	1
	QG10A	17-22		11177222	Cartridge seal kit	1
	QG20	17-22		11160558	Coil, 24 volt, deutsch connector	1



Variable displacement tandem pump

(H7)
SAE



E103 576E

* = included in overhaul seal kit Q210

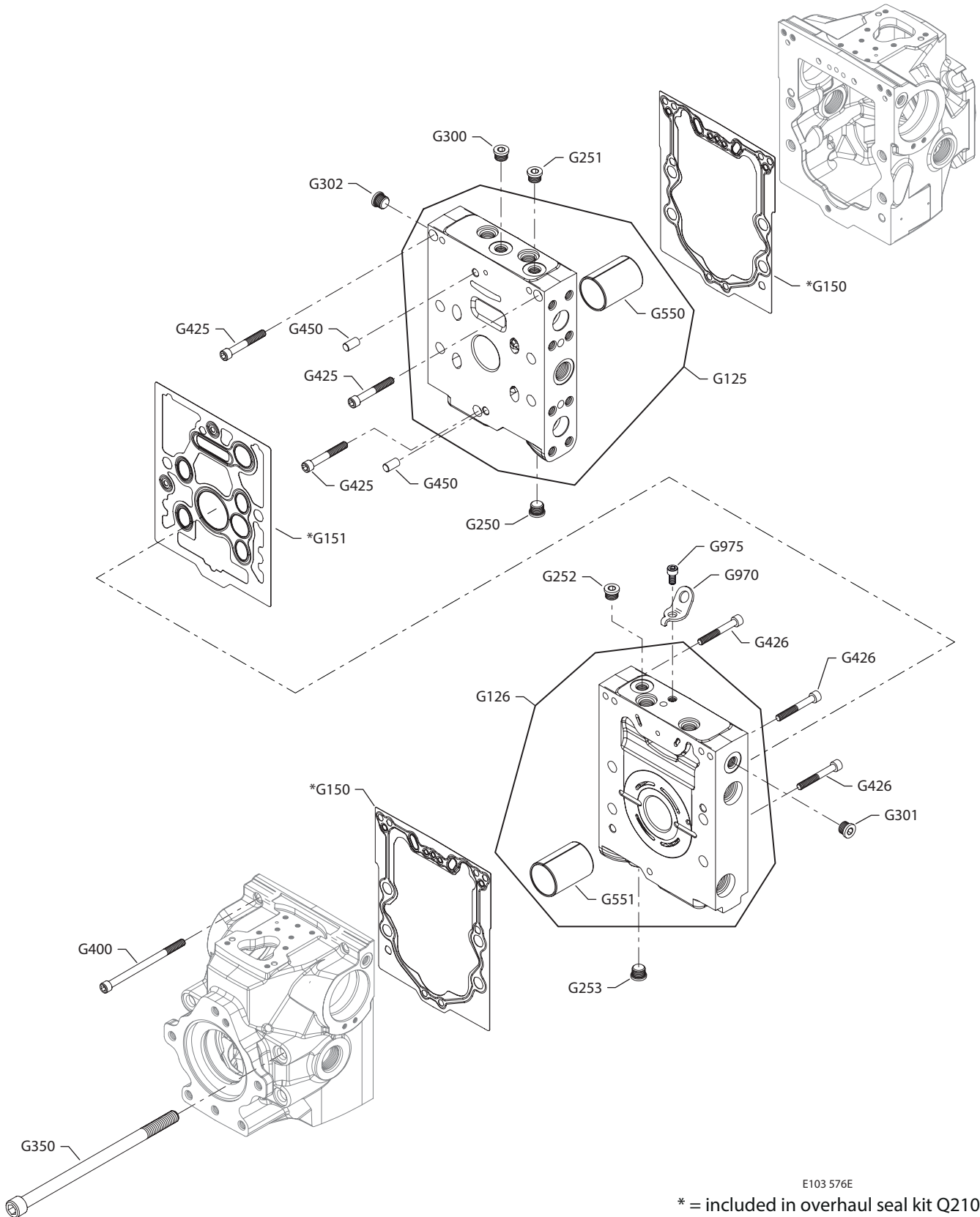

Variable displacement tandem pump
Centersection

Order Code	Item	Date Begin	Date End	Part Number	Part Name	Qty. per Model/Kit
H7	G125	17-22		11143990	Centersection assembly, CW, A & B ports	1
(SAE)	G125	17-22		11143994	Centersection assembly, CCW, A & B ports	1
	G126	17-22		11125389	Centersection assembly, CW, C & D ports	1
	G126	17-22		11143997	Centersection assembly, CCW, C & D ports	1
	G150	17-22		11123580	End cap gasket	2
	G151	17-22		11159706	End cap gasket	1
	G250	17-22		140644	Plug assembly	1
	G251	17-22		140644	Plug assembly	1
	G252	17-22		140644	Plug assembly	1
	G253	17-22		140644	Plug assembly	1
	G300	17-22		140644	Plug assembly	1
	G301	17-22		140644	Plug assembly	1
	G302	17-22		140644	Plug assembly	1
	G350	17-22		11121458	Screw, M14 x 270	4
	G400	17-22		11121457	Screw, M8 x 150	2
	G425	17-22		11121456	Screw, M8 x 60	3
	G426	17-22		11121456	Screw, M8 x 60	3
	G450	17-22		5000757	Pin	2
	G550	17-22		11131650	Journal bearing	1
	G551	17-22		11038841	Journal bearing	1
	G970	17-22		11040737	Lifting bracket	1
	G975	17-22		393686	Screw, M10 x 20	1



Variable displacement tandem pump

(H7)
metric



E103 576E

* = included in overhaul seal kit Q210

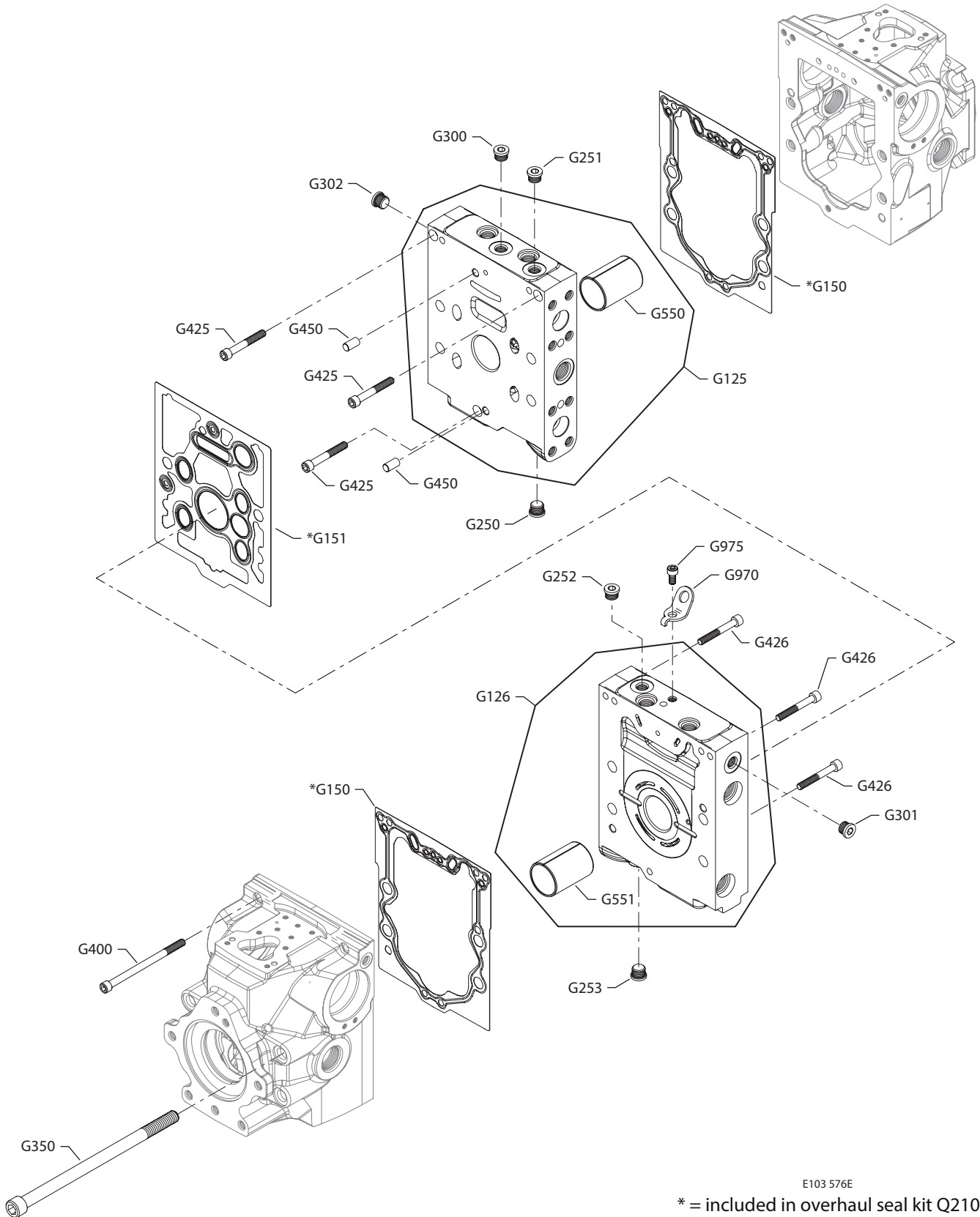

Variable displacement tandem pump
Centersection

Order Code	Item	Date Begin	Date End	Part Number	Part Name	Qty. per Model/Kit
H7	G125	17-22		11171724	Centersection assembly, CW, A & B ports, metric	1
(metric)	G126	17-22		11171725	Centersection assembly, CW, C & D ports, metric	1
	G150	17-22		11123580	End cap gasket	2
	G151	17-22		11159706	End cap gasket	1
	G250	17-22		11178808	Plug assembly, M14	1
	G251	17-22		11178808	Plug assembly, M14	1
	G252	17-22		11178808	Plug assembly, M14	1
	G253	17-22		11178808	Plug assembly, M14	1
	G300	17-22		11178808	Plug assembly, M14	1
	G301	17-22		11178808	Plug assembly, M14	1
	G302	17-22		11178808	Plug assembly, M14	1
	G350	17-22		11121458	Screw, M14 x 270	4
	G400	17-22		11121457	Screw, M8 x 150	2
	G425	17-22		11121456	Screw, M8 x 60	3
	G426	17-22		11121456	Screw, M8 x 60	3
	G450	17-22		5000757	Pin	2
	G550	17-22		11131650	Journal bearing	1
	G551	17-22		11038841	Journal bearing	1
	G970	17-22		11040737	Lifting bracket	1
	G975	17-22		393686	Screw, M10 x 20	1



Variable displacement tandem pump

(H8)



E103 576E

* = included in overhaul seal kit Q210

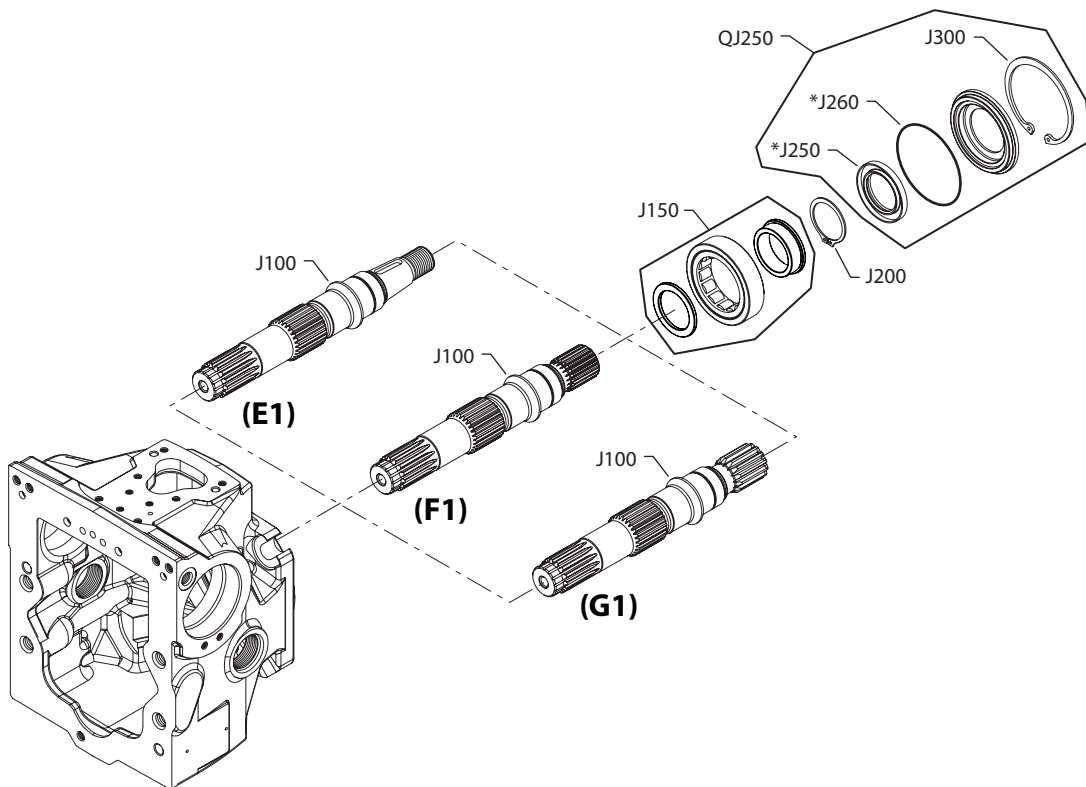
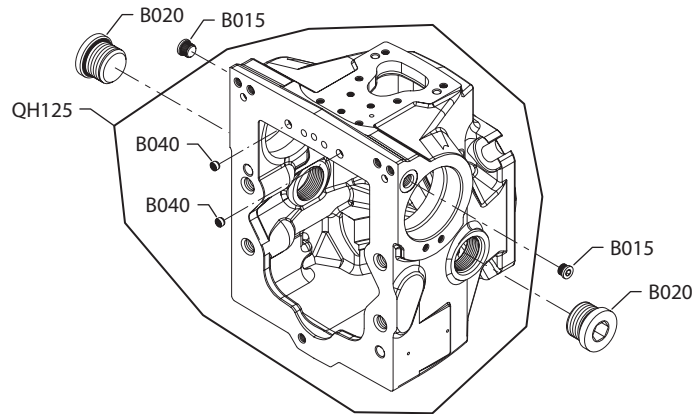

Variable displacement tandem pump
Centersection

Order Code	Item	Date Begin	Date End	Part Number	Part Name	Qty. per Model/Kit
H8	G125	17-22		11143991	Centersection assembly, CW, A & B ports	1
	G125	17-22		11143995	Centersection assembly, CCW, A & B ports	1
	G126	17-22		11143996	Centersection assembly, CW, C & D ports	1
	G126	17-22		11143998	Centersection assembly, CCW, C & D ports	1
	G150	17-22		11123580	End cap gasket	2
	G151	17-22		11159706	End cap gasket	1
	G250	17-22		140644	Plug assembly	1
	G251	17-22		140644	Plug assembly	1
	G252	17-22		140644	Plug assembly	1
	G253	17-22		140644	Plug assembly	1
	G300	17-22		140644	Plug assembly	1
	G301	17-22		140644	Plug assembly	1
	G302	17-22		140644	Plug assembly	1
	G350	17-22		11121458	Screw, M14 x 270	4
	G400	17-22		11121457	Screw, M8 x 150	2
	G425	17-22		11121456	Screw, M8 x 60	3
	G426	17-22		11121456	Screw, M8 x 60	3
	G450	17-22		5000757	Pin	2
	G550	17-22		11131650	Journal bearing	1
	G551	17-22		11038841	Journal bearing	1
	G970	17-22		11040737	Lifting bracket	1
	G975	17-22		393686	Screw, M10 x 20	1



Variable displacement tandem pump

(H)



E103 577E

* = included in overhaul seal kit Q210


Variable displacement tandem pump
Mounting flange

Order Code	Item	Date Begin	Date End	Part Number	Part Name	Qty. per Model/Kit
H	B015	17-22		327007 (9005110-4400)	Plug assembly	2
	B020	17-22		320002 (9005110-9200)	Plug assembly	2
	B040	17-22		140967	Screen	2
	QH125	17-22		11173966	Pump housing assembly, front	1
H (metric)	B015	17-22		5000572	Plug assembly, M12	2
	B020	17-22		11164204	Plug assembly, M33	2
	B040	17-22		140967	Screen	2
	QH125	17-22		11176943	Pump housing assembly, front, metric	1

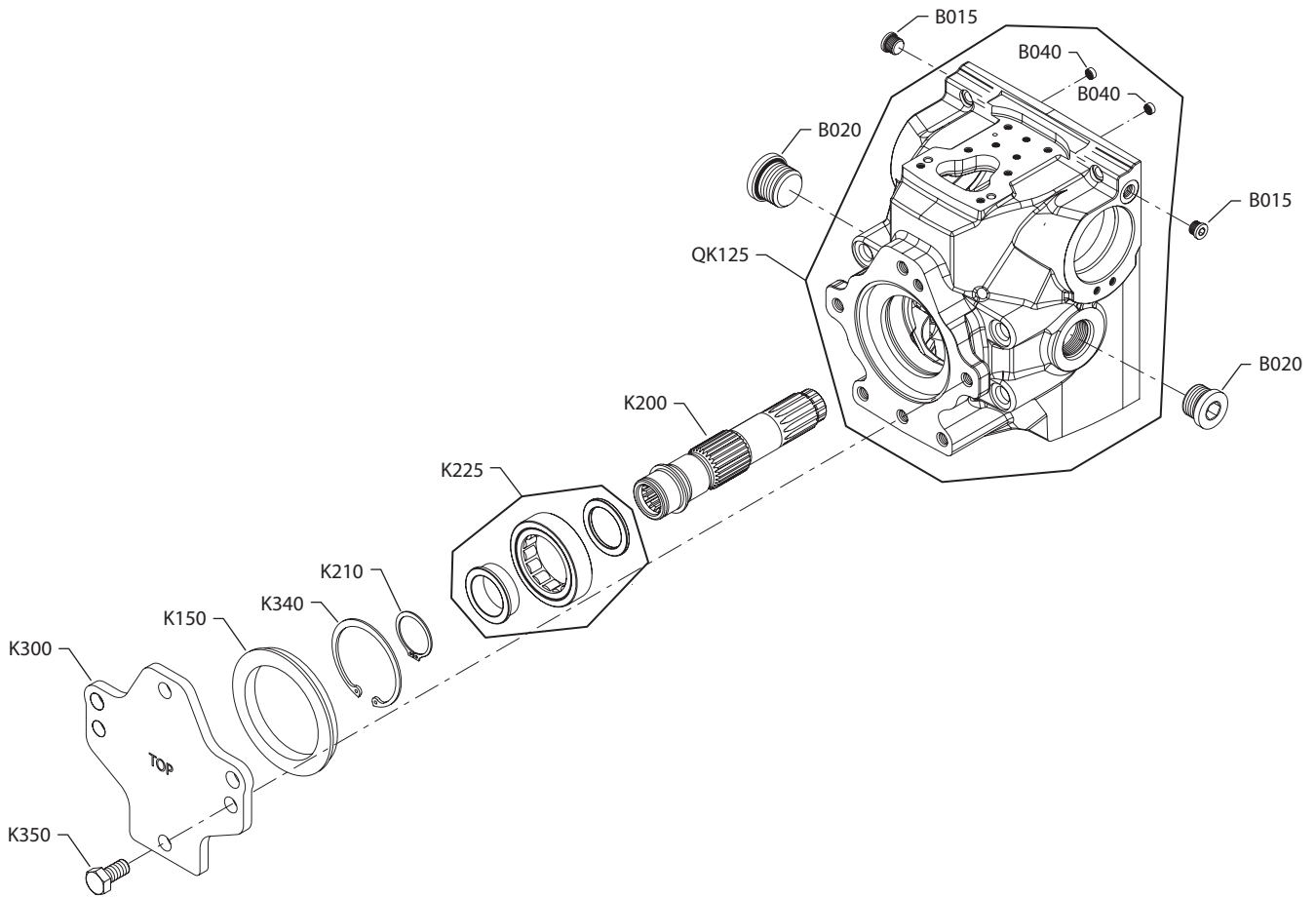
Shaft

E1	J100	17-22		11039239	Shaft, tapered	1
	J150	17-22		357616	Roller bearing	1
	J200	17-22		9006300-0137	Retaining ring	1
	J250	17-22		141936	Lip seal	1
	J260	17-22		9004104-2310	O-ring	1
	J300	17-22		9006200-0281	Retaining ring	1
	QJ250	17-22		11077181	Shaft seal kit	1
F1	J100	17-22		11038239	Shaft, 21 tooth spline	1
	J150	17-22		357616	Roller bearing	1
	J200	17-22		9006300-0137	Retaining ring	1
	J250	17-22		141936	Lip seal	1
	J260	17-22		9004104-2310	O-ring	1
	J300	17-22		9006200-0281	Retaining ring	1
	QJ250	17-22		11077181	Shaft seal kit	1
G1	J100	17-22		11038238	Shaft, 14 tooth spline	1
	J150	17-22		357616	Roller bearing	1
	J200	17-22		9006300-0137	Retaining ring	1
	J250	17-22		141936	Lip seal	1
	J260	17-22		9004104-2310	O-ring	1
	J300	17-22		9006200-0281	Retaining ring	1
	QJ250	17-22		11077181	Shaft seal kit	1



Variable displacement tandem pump

(H3 & H5)



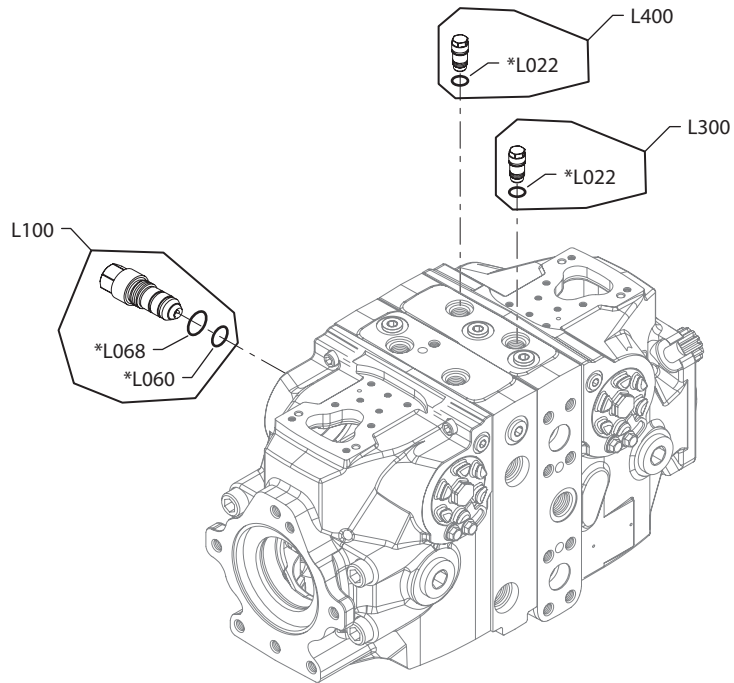

Variable displacement tandem pump
Auxiliary mounting

Order Code	Item	Date Begin	Date End	Part Number	Part Name	Qty. per Model/Kit
H3	B015	17-22		327007 (9005110-4400)	Plug assembly	2
	B020	17-22		320002 (9005110-9200)	Plug assembly	2
	B040	17-22		140967	Screen	2
	K150	17-22		8801061	B pad seal	1
	K200	17-22		11100497	Shaft, 13 tooth internal splines, 16/32 pitch	1
	K210	17-22		9006300-0137	Retaining ring	1
	K225	17-22		357616	Roller bearing	1
	K300	17-22		141561	Flange cover	1
	K340	17-22		9006200-0281	Retaining ring	1
	K350	17-22		5000760	Screw, M12 x 20	4
	QK125	17-22		11173968	Housing assembly, auxiliary flange, SAE B	1
	H3 (metric)	B015	17-22		5000572	Plug assembly, M12
B020		17-22		11164204	Plug assembly, M33	2
B040		17-22		140967	Screen	2
K150		17-22		8801061	B pad seal	1
K200		17-22		11100497	Shaft, 13 tooth internal splines, 16/32 pitch	1
K210		17-22		9006300-0137	Retaining ring	1
K225		17-22		357616	Roller bearing	1
K300		17-22		141561	Flange cover	1
K340		17-22		9006200-0281	Retaining ring	1
K350		17-22		5000760	Screw, M12 x 20	4
QK125		17-22		11176944	Housing assembly, auxiliary flange, SAE B, metric	1
H5		B015	17-22		327007 (9005110-4400)	Plug assembly
	B020	17-22		9005110-9200	Plug assembly	2
	B040	17-22		140967	Screen	2
	K150	17-22		8801061	B pad seal	1
	K200	17-22		11130914	Shaft, 15 tooth internal splines, 16/32 pitch	1
	K210	17-22		9006300-0137	Retaining ring	1
	K225	17-22		357616	Roller bearing	1
	K300	17-22		141561	Flange cover	1
	K340	17-22		9006200-0281	Retaining ring	1
	K350	17-22		5000760	Screw, M12 x 20	4
	QK125	17-22		11173968	Housing assembly, auxiliary flange, SAE B	1



Variable displacement tandem pump

(18 - 45)



E103 580E

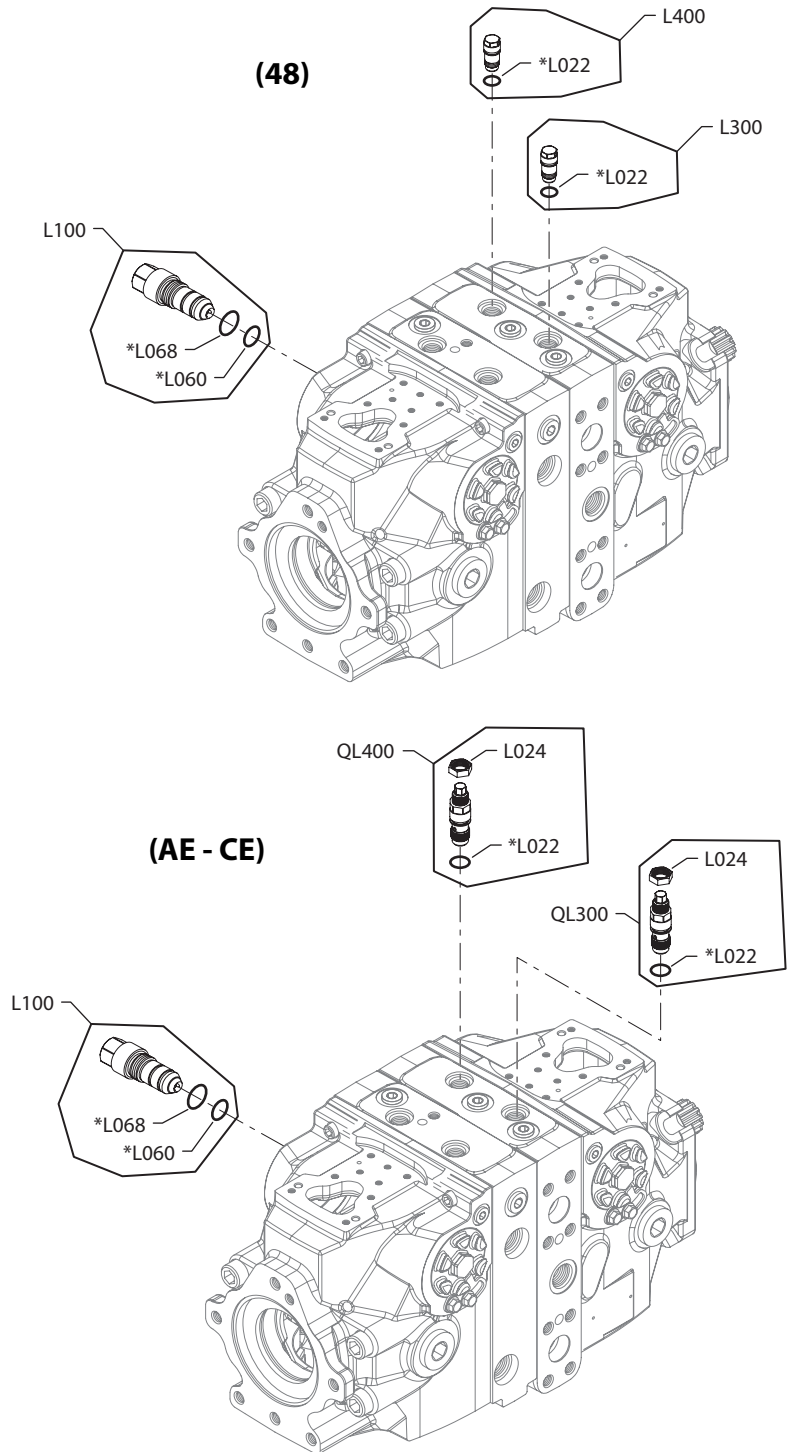
* = included in overhaul seal kit Q210


Variable displacement tandem pump
High pressure setting parts, port A

Order Code	Item	Date Begin	Date End	Part Number	Part Name	Qty. per Model/Kit
all	L022	17-22		041152	O-ring	1
	L060	17-22		141109	O-ring	1
	L068	17-22		11052215	O-ring	1
18	L100	17-22		11049120	High pressure relief valve assembly, 180 bar	1
	L300	17-22		11002291	Pressure limiter plug assembly, CCW rotation pump	1
	L400	17-22		11002291	Pressure limiter plug assembly, CW rotation pump	1
20	L100	17-22		11049121	High pressure relief valve assembly, 200 bar	1
	L300	17-22		11002291	Pressure limiter plug assembly, CCW rotation pump	1
	L400	17-22		11002291	Pressure limiter plug assembly, CW rotation pump	1
23	L100	17-22		11049122	High pressure relief valve assembly, 230 bar	1
	L300	17-22		11002291	Pressure limiter plug assembly, CCW rotation pump	1
	L400	17-22		11002291	Pressure limiter plug assembly, CW rotation pump	1
25	L100	17-22		11049123	High pressure relief valve assembly, 250 bar	1
	L300	17-22		11002291	Pressure limiter plug assembly, CCW rotation pump	1
	L400	17-22		11002291	Pressure limiter plug assembly, CW rotation pump	1
28	L100	17-22		11049124	High pressure relief valve assembly, 280 bar	1
	L300	17-22		11002291	Pressure limiter plug assembly, CCW rotation pump	1
	L400	17-22		11002291	Pressure limiter plug assembly, CW rotation pump	1
30	L100	17-22		11049125	High pressure relief valve assembly, 300 bar	1
	L300	17-22		11002291	Pressure limiter plug assembly, CCW rotation pump	1
	L400	17-22		11002291	Pressure limiter plug assembly, CW rotation pump	1
33	L100	17-22		11049126	High pressure relief valve assembly, 330 bar	1
	L300	17-22		11002291	Pressure limiter plug assembly, CCW rotation pump	1
	L400	17-22		11002291	Pressure limiter plug assembly, CW rotation pump	1
35	L100	17-22		11049127	High pressure relief valve assembly, 350 bar	1
	L300	17-22		11002291	Pressure limiter plug assembly, CCW rotation pump	1
	L400	17-22		11002291	Pressure limiter plug assembly, CW rotation pump	1
38	L100	17-22		11049128	High pressure relief valve assembly, 380 bar	1
	L300	17-22		11002291	Pressure limiter plug assembly, CCW rotation pump	1
	L400	17-22		11002291	Pressure limiter plug assembly, CW rotation pump	1
40	L100	17-22		11049129	High pressure relief valve assembly, 400 bar	1
	L300	17-22		11002291	Pressure limiter plug assembly, CCW rotation pump	1
	L400	17-22		11002291	Pressure limiter plug assembly, CW rotation pump	1
42	L100	17-22		11049130	High pressure relief valve assembly, 420 bar	1
	L300	17-22		11002291	Pressure limiter plug assembly, CCW rotation pump	1
	L400	17-22		11002291	Pressure limiter plug assembly, CW rotation pump	1
45	L100	17-22		11049131	High pressure relief valve assembly, 450 bar	1
	L300	17-22		11002291	Pressure limiter plug assembly, CCW rotation pump	1
	L400	17-22		11002291	Pressure limiter plug assembly, CW rotation pump	1



Variable displacement tandem pump



E103 581E

* = included in overhaul seal kit Q210

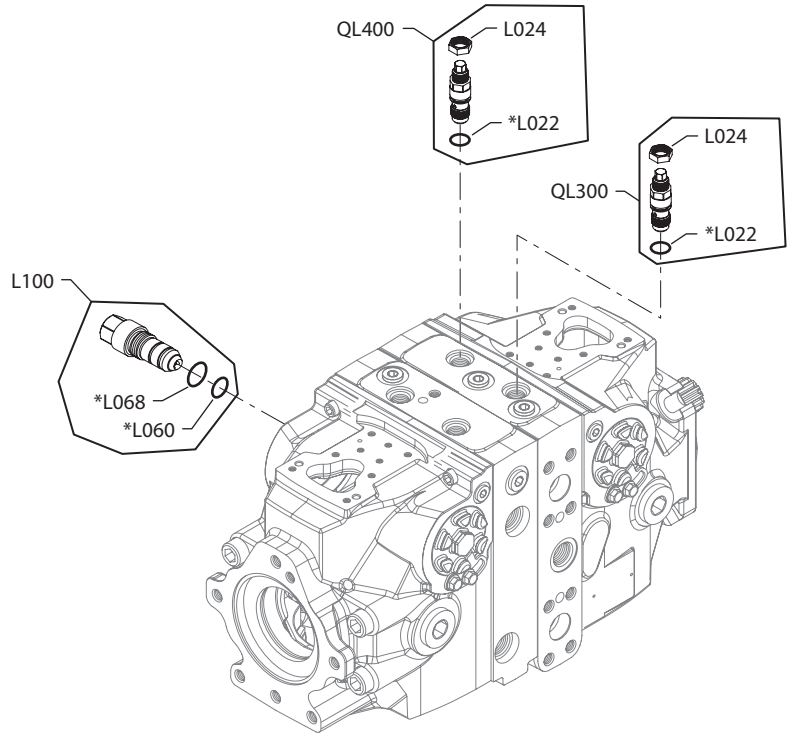

Variable displacement tandem pump
High pressure setting parts, port A

Order Code	Item	Date Begin	Date End	Part Number	Part Name	Qty. per Model/Kit
all	L022	17-22		041152	O-ring	1
	L060	17-22		141109	O-ring	1
	L068	17-22		11052215	O-ring	1
48	L100	17-22		11049132	High pressure relief valve assembly, 480 bar	1
	L300	17-22		11002291	Pressure limiter plug assembly, CCW rotation pump	1
	L400	17-22		11002291	Pressure limiter plug assembly, CW rotation pump	1
AE	L024	17-22		11054668	Nut	1
	L100	17-22		11049121	High pressure relief valve assembly, 200 bar	1
	QL300	17-22		11050482	Pressure limiter valve assembly, CCW rotation pump	1
	QL400	17-22		11050482	Pressure limiter valve assembly, CW rotation pump	1
AH	L024	17-22		11054668	Nut	1
	L100	17-22		11049123	High pressure relief valve assembly, 250 bar	1
	QL300	17-22		11050482	Pressure limiter valve assembly, CCW rotation pump	1
	QL400	17-22		11050482	Pressure limiter valve assembly, CW rotation pump	1
BC	L024	17-22		11054668	Nut	1
	L100	17-22		11049124	High pressure relief valve assembly, 280 bar	1
	QL300	17-22		11050482	Pressure limiter valve assembly, CCW rotation pump	1
	QL400	17-22		11050482	Pressure limiter valve assembly, CW rotation pump	1
BE	L024	17-22		11054668	Nut	1
	L100	17-22		11049125	High pressure relief valve assembly, 300 bar	1
	QL300	17-22		11050482	Pressure limiter valve assembly, CCW rotation pump	1
	QL400	17-22		11050482	Pressure limiter valve assembly, CW rotation pump	1
BH	L024	17-22		11054668	Nut	1
	L100	17-22		11049126	High pressure relief valve assembly, 330 bar	1
	QL300	17-22		11050482	Pressure limiter valve assembly, CCW rotation pump	1
	QL400	17-22		11050482	Pressure limiter valve assembly, CW rotation pump	1
BK	L024	17-22		11054668	Nut	1
	L100	17-22		11049123	High pressure relief valve assembly, 250 bar	1
	QL300	17-22		11050482	Pressure limiter valve assembly, CCW rotation pump	1
	QL400	17-22		11050482	Pressure limiter valve assembly, CW rotation pump	1
CC	L024	17-22		11054668	Nut	1
	L100	17-22		11049128	High pressure relief valve assembly, 380 bar	1
	QL300	17-22		11050482	Pressure limiter valve assembly, CCW rotation pump	1
	QL400	17-22		11050482	Pressure limiter valve assembly, CW rotation pump	1
CE	L024	17-22		11054668	Nut	1
	L100	17-22		11049129	High pressure relief valve assembly, 400 bar	1
	QL300	17-22		11050482	Pressure limiter valve assembly, CCW rotation pump	1
	QL400	17-22		11050482	Pressure limiter valve assembly, CW rotation pump	1



Variable displacement tandem pump

(CH - DK)



E103 582E

* = included in overhaul seal kit Q210

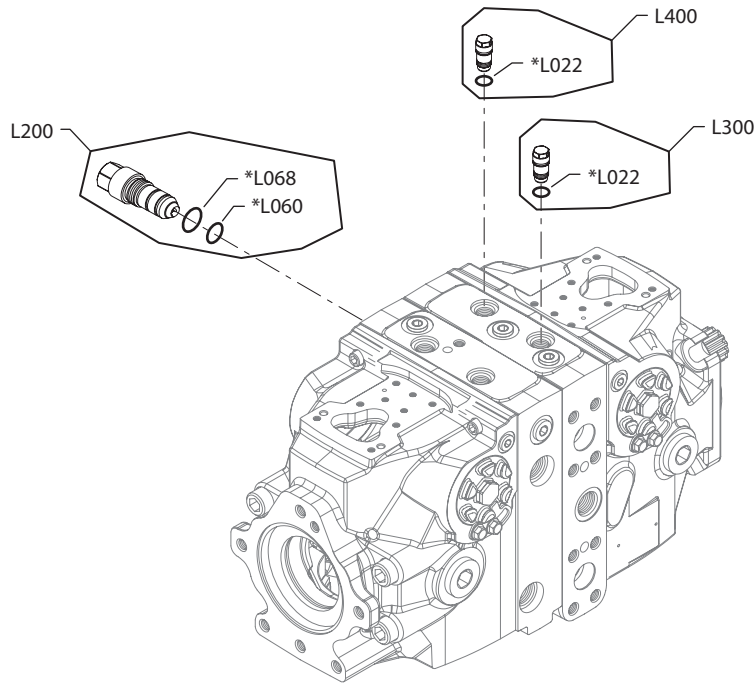

Variable displacement tandem pump
High pressure setting parts, port A

Order Code	Item	Date Begin	Date End	Part Number	Part Name	Qty. per Model/Kit
all	L022	17-22		041152	O-ring	1
	L024	17-22		11054668	Nut	1
	L060	17-22		141109	O-ring	1
	L068	17-22		11052215	O-ring	1
CH	L100	17-22		11049130	High pressure relief valve assembly, 420 bar	1
	QL300	17-22		11050482	Pressure limiter valve assembly, CCW rotation pump	1
	QL400	17-22		11050482	Pressure limiter valve assembly, CW rotation pump	1
CK	L100	17-22		11049127	High pressure relief valve assembly, 350 bar	1
	QL300	17-22		11050482	Pressure limiter valve assembly, CCW rotation pump	1
	QL400	17-22		11050482	Pressure limiter valve assembly, CW rotation pump	1
DA	L100	17-22		11049131	High pressure relief valve assembly, 450 bar	1
	QL300	17-22		11050482	Pressure limiter valve assembly, CCW rotation pump	1
	QL400	17-22		11050482	Pressure limiter valve assembly, CW rotation pump	1
DB	L100	17-22		11049131	High pressure relief valve assembly, 450 bar	1
	QL300	17-22		11050482	Pressure limiter valve assembly, CCW rotation pump	1
	QL400	17-22		11050482	Pressure limiter valve assembly, CW rotation pump	1
DC	L100	17-22		11049132	High pressure relief valve assembly, 480 bar	1
	QL300	17-22		11050482	Pressure limiter valve assembly, CCW rotation pump	1
	QL400	17-22		11050482	Pressure limiter valve assembly, CW rotation pump	1
DD	L100	17-22		11049132	High pressure relief valve assembly, 480 bar	1
	QL300	17-22		11050482	Pressure limiter valve assembly, CCW rotation pump	1
	QL400	17-22		11050482	Pressure limiter valve assembly, CW rotation pump	1
DE	L100	17-22		11049132	High pressure relief valve assembly, 480 bar	1
	QL300	17-22		11050482	Pressure limiter valve assembly, CCW rotation pump	1
	QL400	17-22		11050482	Pressure limiter valve assembly, CW rotation pump	1
DH	L100	17-22		11049133	High pressure relief valve assembly, 510 bar	1
	QL300	17-22		11050482	Pressure limiter valve assembly, CCW rotation pump	1
	QL400	17-22		11050482	Pressure limiter valve assembly, CW rotation pump	1
DK	L100	17-22		11049131	High pressure relief valve assembly, 450 bar	1
	QL300	17-22		11050482	Pressure limiter valve assembly, CCW rotation pump	1
	QL400	17-22		11050482	Pressure limiter valve assembly, CW rotation pump	1



Variable displacement tandem pump

(18 - 45)



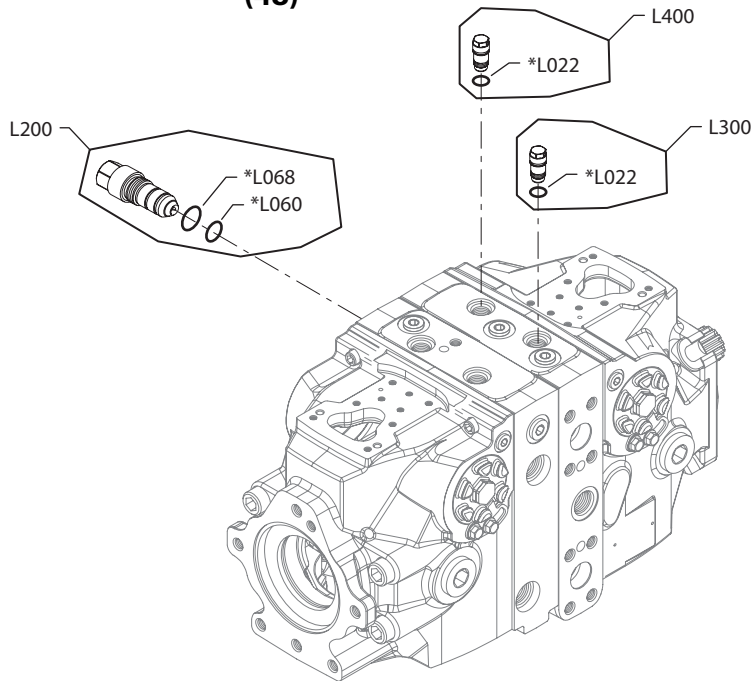

Variable displacement tandem pump
High pressure setting parts, port B

Order Code	Item	Date Begin	Date End	Part Number	Part Name	Qty. per Model/Kit
all	L022	17-22		041152	O-ring	1
	L060	17-22		141109	O-ring	1
	L068	17-22		11052215	O-ring	1
18	L200	17-22		11049120	High pressure relief valve assembly, 180 bar	1
	L300	17-22		11002291	Pressure limiter plug assembly, CW rotation pump	1
	L400	17-22		11002291	Pressure limiter plug assembly, CCW rotation pump	1
20	L200	17-22		11049121	High pressure relief valve assembly, 200 bar	1
	L300	17-22		11002291	Pressure limiter plug assembly, CW rotation pump	1
	L400	17-22		11002291	Pressure limiter plug assembly, CCW rotation pump	1
23	L200	17-22		11049122	High pressure relief valve assembly, 230 bar	1
	L300	17-22		11002291	Pressure limiter plug assembly, CW rotation pump	1
	L400	17-22		11002291	Pressure limiter plug assembly, CCW rotation pump	1
25	L200	17-22		11049123	High pressure relief valve assembly, 250 bar	1
	L300	17-22		11002291	Pressure limiter plug assembly, CW rotation pump	1
	L400	17-22		11002291	Pressure limiter plug assembly, CCW rotation pump	1
28	L200	17-22		11049124	High pressure relief valve assembly, 280 bar	1
	L300	17-22		11002291	Pressure limiter plug assembly, CW rotation pump	1
	L400	17-22		11002291	Pressure limiter plug assembly, CCW rotation pump	1
30	L200	17-22		11049125	High pressure relief valve assembly, 300 bar	1
	L300	17-22		11002291	Pressure limiter plug assembly, CW rotation pump	1
	L400	17-22		11002291	Pressure limiter plug assembly, CCW rotation pump	1
33	L200	17-22		11049126	High pressure relief valve assembly, 330 bar	1
	L300	17-22		11002291	Pressure limiter plug assembly, CW rotation pump	1
	L400	17-22		11002291	Pressure limiter plug assembly, CCW rotation pump	1
35	L200	17-22		11049127	High pressure relief valve assembly, 350 bar	1
	L300	17-22		11002291	Pressure limiter plug assembly, CW rotation pump	1
	L400	17-22		11002291	Pressure limiter plug assembly, CCW rotation pump	1
38	L200	17-22		11049128	High pressure relief valve assembly, 380 bar	1
	L300	17-22		11002291	Pressure limiter plug assembly, CW rotation pump	1
	L400	17-22		11002291	Pressure limiter plug assembly, CCW rotation pump	1
40	L200	17-22		11049129	High pressure relief valve assembly, 400 bar	1
	L300	17-22		11002291	Pressure limiter plug assembly, CW rotation pump	1
	L400	17-22		11002291	Pressure limiter plug assembly, CCW rotation pump	1
42	L200	17-22		11049130	High pressure relief valve assembly, 420 bar	1
	L300	17-22		11002291	Pressure limiter plug assembly, CW rotation pump	1
	L400	17-22		11002291	Pressure limiter plug assembly, CCW rotation pump	1
45	L200	17-22		11049131	High pressure relief valve assembly, 450 bar	1
	L300	17-22		11002291	Pressure limiter plug assembly, CW rotation pump	1
	L400	17-22		11002291	Pressure limiter plug assembly, CCW rotation pump	1

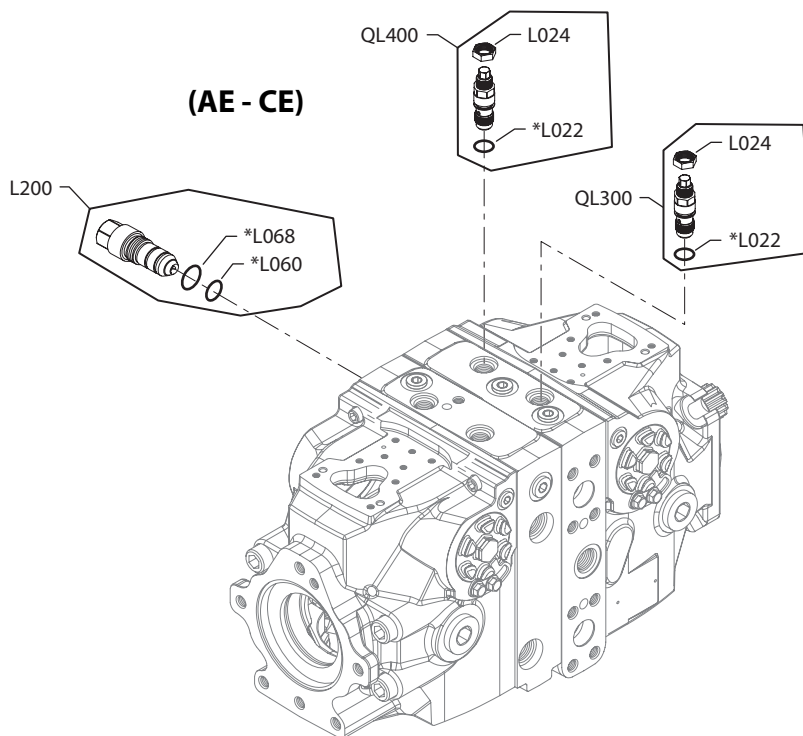


Variable displacement tandem pump

(48)



(AE - CE)



E103 584E

* = included in overhaul seal kit Q210

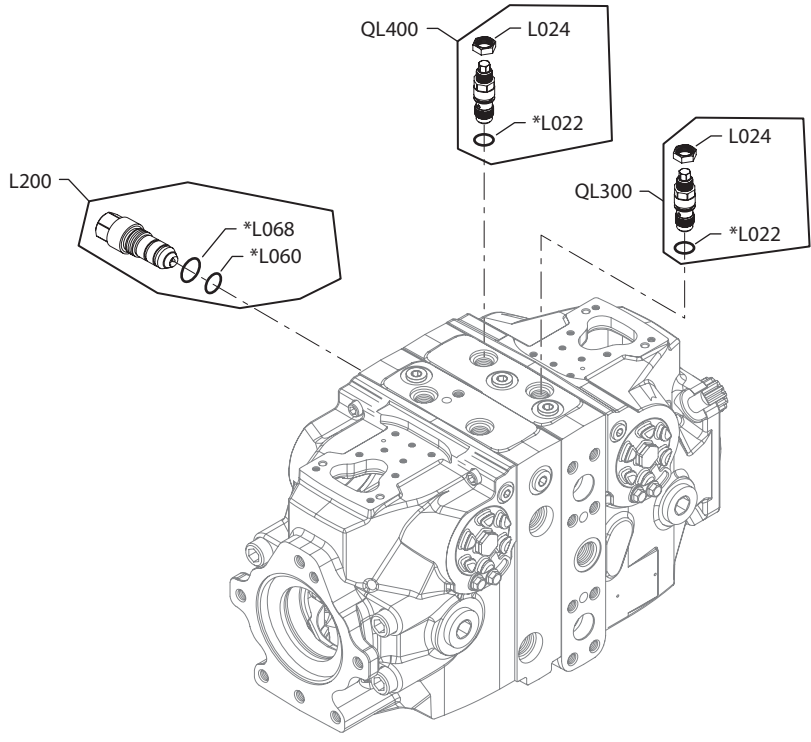

Variable displacement tandem pump
High pressure setting parts, port B

Order Code	Item	Date Begin	Date End	Part Number	Part Name	Qty. per Model/Kit
all	L022	17-22		041152	O-ring	1
	L060	17-22		141109	O-ring	1
	L068	17-22		11052215	O-ring	1
48	L200	17-22		11049132	High pressure relief valve assembly, 480 bar	1
	L300	17-22		11002291	Pressure limiter plug assembly, CW rotation pump	1
	L400	17-22		11002291	Pressure limiter plug assembly, CCW rotation pump	1
AE	L024	17-22		11054668	Nut	1
	L200	17-22		11049121	High pressure relief valve assembly, 200 bar	1
	QL300	17-22		11050482	Pressure limiter valve assembly, CW rotation pump	1
	QL400	17-22		11050482	Pressure limiter valve assembly, CCW rotation pump	1
AH	L024	17-22		11054668	Nut	1
	L200	17-22		11049123	High pressure relief valve assembly, 250 bar	1
	QL300	17-22		11050482	Pressure limiter valve assembly, CW rotation pump	1
	QL400	17-22		11050482	Pressure limiter valve assembly, CCW rotation pump	1
BC	L024	17-22		11054668	Nut	1
	L200	17-22		11049124	High pressure relief valve assembly, 280 bar	1
	QL300	17-22		11050482	Pressure limiter valve assembly, CW rotation pump	1
	QL400	17-22		11050482	Pressure limiter valve assembly, CCW rotation pump	1
BE	L024	17-22		11054668	Nut	1
	L200	17-22		11049125	High pressure relief valve assembly, 300 bar	1
	QL300	17-22		11050482	Pressure limiter valve assembly, CW rotation pump	1
	QL400	17-22		11050482	Pressure limiter valve assembly, CCW rotation pump	1
BH	L024	17-22		11054668	Nut	1
	L200	17-22		11049126	High pressure relief valve assembly, 330 bar	1
	QL300	17-22		11050482	Pressure limiter valve assembly, CW rotation pump	1
	QL400	17-22		11050482	Pressure limiter valve assembly, CCW rotation pump	1
BK	L024	17-22		11054668	Nut	1
	L200	17-22		11049123	High pressure relief valve assembly, 250 bar	1
	QL300	17-22		11050482	Pressure limiter valve assembly, CW rotation pump	1
	QL400	17-22		11050482	Pressure limiter valve assembly, CCW rotation pump	1
CC	L024	17-22		11054668	Nut	1
	L200	17-22		11049128	High pressure relief valve assembly, 380 bar	1
	QL300	17-22		11050482	Pressure limiter valve assembly, CW rotation pump	1
	QL400	17-22		11050482	Pressure limiter valve assembly, CCW rotation pump	1
CE	L024	17-22		11054668	Nut	1
	L200	17-22		11049129	High pressure relief valve assembly, 400 bar	1
	QL300	17-22		11050482	Pressure limiter valve assembly, CW rotation pump	1
	QL400	17-22		11050482	Pressure limiter valve assembly, CCW rotation pump	1



Variable displacement tandem pump

(CH - DK)



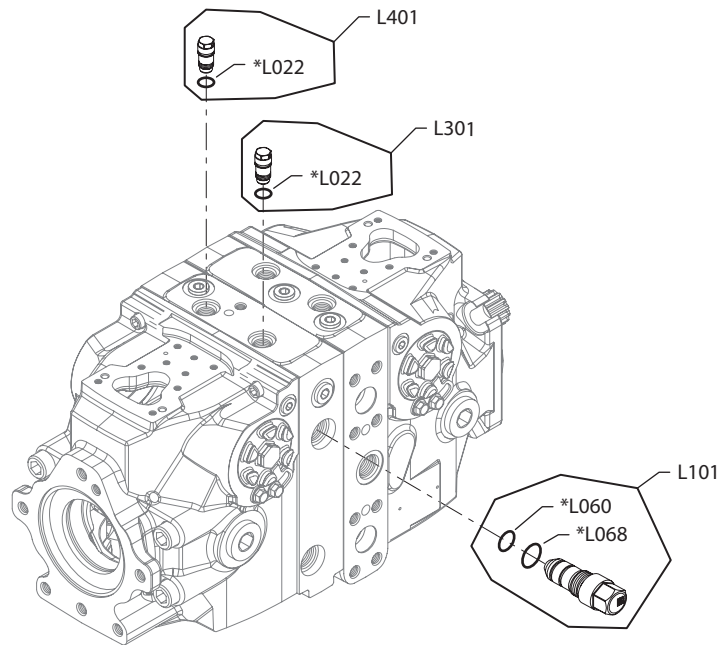

Variable displacement tandem pump
High pressure setting parts, port B

Order Code	Item	Date Begin	Date End	Part Number	Part Name	Qty. per Model/Kit
all	L022	17-22		041152	O-ring	1
	L024	17-22		11054668	Nut	1
	L060	17-22		141109	O-ring	1
	L068	17-22		11052215	O-ring	1
CH	L200	17-22		11049130	High pressure relief valve assembly, 420 bar	1
	QL300	17-22		11050482	Pressure limiter valve assembly, CW rotation pump	1
	QL400	17-22		11050482	Pressure limiter valve assembly, CCW rotation pump	1
CK	L200	17-22		11049127	High pressure relief valve assembly, 350 bar	1
	QL300	17-22		11050482	Pressure limiter valve assembly, CW rotation pump	1
	QL400	17-22		11050482	Pressure limiter valve assembly, CCW rotation pump	1
DA	L200	17-22		11049131	High pressure relief valve assembly, 450 bar	1
	QL300	17-22		11050482	Pressure limiter valve assembly, CW rotation pump	1
	QL400	17-22		11050482	Pressure limiter valve assembly, CCW rotation pump	1
DB	L200	17-22		11049131	High pressure relief valve assembly, 450 bar	1
	QL300	17-22		11050482	Pressure limiter valve assembly, CW rotation pump	1
	QL400	17-22		11050482	Pressure limiter valve assembly, CCW rotation pump	1
DC	L200	17-22		11049132	High pressure relief valve assembly, 480 bar	1
	QL300	17-22		11050482	Pressure limiter valve assembly, CW rotation pump	1
	QL400	17-22		11050482	Pressure limiter valve assembly, CCW rotation pump	1
DD	L200	17-22		11049132	High pressure relief valve assembly, 480 bar	1
	QL300	17-22		11050482	Pressure limiter valve assembly, CW rotation pump	1
	QL400	17-22		11050482	Pressure limiter valve assembly, CCW rotation pump	1
DE	L200	17-22		11049132	High pressure relief valve assembly, 480 bar	1
	QL300	17-22		11050482	Pressure limiter valve assembly, CW rotation pump	1
	QL400	17-22		11050482	Pressure limiter valve assembly, CCW rotation pump	1
DF	L200	17-22		11049133	High pressure relief valve assembly, 510 bar	1
	QL300	17-22		11050482	Pressure limiter valve assembly, CW rotation pump	1
	QL400	17-22		11050482	Pressure limiter valve assembly, CCW rotation pump	1
DG	L200	17-22		11049133	High pressure relief valve assembly, 510 bar	1
	QL300	17-22		11050482	Pressure limiter valve assembly, CW rotation pump	1
	QL400	17-22		11050482	Pressure limiter valve assembly, CCW rotation pump	1
DH	L200	17-22		11049133	High pressure relief valve assembly, 510 bar	1
	QL300	17-22		11050482	Pressure limiter valve assembly, CW rotation pump	1
	QL400	17-22		11050482	Pressure limiter valve assembly, CCW rotation pump	1
DK	L200	17-22		11049131	High pressure relief valve assembly, 450 bar	1
	QL300	17-22		11050482	Pressure limiter valve assembly, CW rotation pump	1
	QL400	17-22		11050482	Pressure limiter valve assembly, CCW rotation pump	1



Variable displacement tandem pump

(18 - 45)





Variable displacement tandem pump

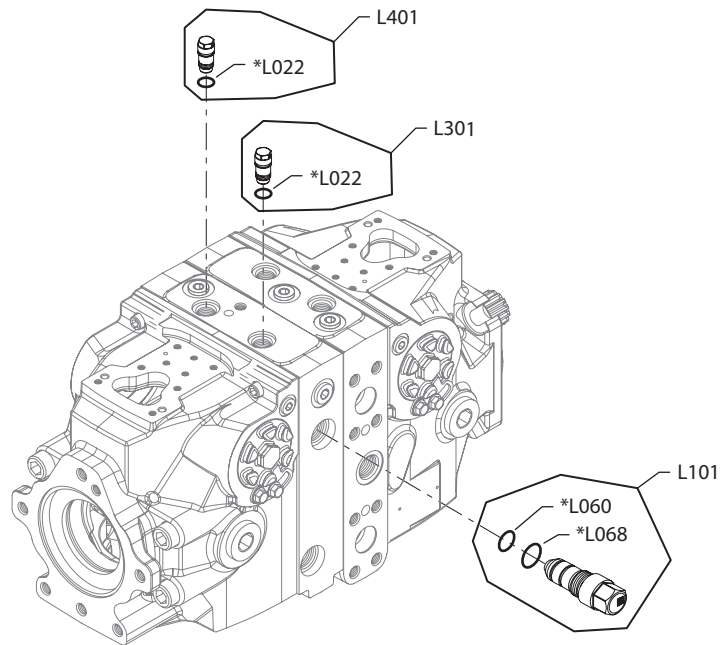
High pressure setting parts, port C

Order Code	Item	Date Begin	Date End	Part Number	Part Name	Qty. per Model/Kit
all	L022	17-22		041152	O-ring	1
	L060	17-22		141109	O-ring	1
	L068	17-22		11052215	O-ring	1
18	L101	17-22		11049120	High pressure relief valve assembly, 180 bar	1
	L301	17-22		11002291	Pressure limiter plug assembly, CW rotation pump	1
	L401	17-22		11002291	Pressure limiter plug assembly, CCW rotation pump	1
20	L101	17-22		11049121	High pressure relief valve assembly, 200 bar	1
	L301	17-22		11002291	Pressure limiter plug assembly, CW rotation pump	1
	L401	17-22		11002291	Pressure limiter plug assembly, CCW rotation pump	1
23	L101	17-22		11049122	High pressure relief valve assembly, 230 bar	1
	L301	17-22		11002291	Pressure limiter plug assembly, CW rotation pump	1
	L401	17-22		11002291	Pressure limiter plug assembly, CCW rotation pump	1
25	L101	17-22		11049123	High pressure relief valve assembly, 250 bar	1
	L301	17-22		11002291	Pressure limiter plug assembly, CW rotation pump	1
	L401	17-22		11002291	Pressure limiter plug assembly, CCW rotation pump	1
28	L101	17-22		11049124	High pressure relief valve assembly, 280 bar	1
	L301	17-22		11002291	Pressure limiter plug assembly, CW rotation pump	1
	L401	17-22		11002291	Pressure limiter plug assembly, CCW rotation pump	1
30	L101	17-22		11049125	High pressure relief valve assembly, 300 bar	1
	L301	17-22		11002291	Pressure limiter plug assembly, CW rotation pump	1
	L401	17-22		11002291	Pressure limiter plug assembly, CCW rotation pump	1
33	L101	17-22		11049126	High pressure relief valve assembly, 330 bar	1
	L301	17-22		11002291	Pressure limiter plug assembly, CW rotation pump	1
	L401	17-22		11002291	Pressure limiter plug assembly, CCW rotation pump	1
35	L101	17-22		11049127	High pressure relief valve assembly, 350 bar	1
	L301	17-22		11002291	Pressure limiter plug assembly, CW rotation pump	1
	L401	17-22		11002291	Pressure limiter plug assembly, CCW rotation pump	1
38	L101	17-22		11049128	High pressure relief valve assembly, 380 bar	1
	L301	17-22		11002291	Pressure limiter plug assembly, CW rotation pump	1
	L401	17-22		11002291	Pressure limiter plug assembly, CCW rotation pump	1
40	L101	17-22		11049129	High pressure relief valve assembly, 400 bar	1
	L301	17-22		11002291	Pressure limiter plug assembly, CW rotation pump	1
	L401	17-22		11002291	Pressure limiter plug assembly, CCW rotation pump	1
42	L101	17-22		11049130	High pressure relief valve assembly, 420 bar	1
	L301	17-22		11002291	Pressure limiter plug assembly, CW rotation pump	1
	L401	17-22		11002291	Pressure limiter plug assembly, CCW rotation pump	1
45	L101	17-22		11049131	High pressure relief valve assembly, 450 bar	1
	L301	17-22		11002291	Pressure limiter plug assembly, CW rotation pump	1
	L401	17-22		11002291	Pressure limiter plug assembly, CCW rotation pump	1

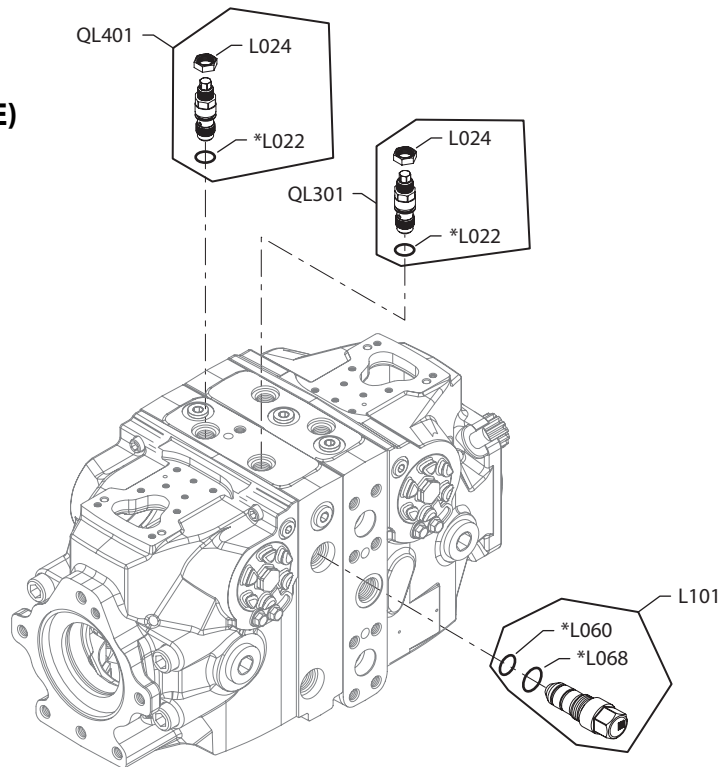


Variable displacement tandem pump

(48)



(AE - CE)



E103 587E

* = included in overhaul seal kit Q210

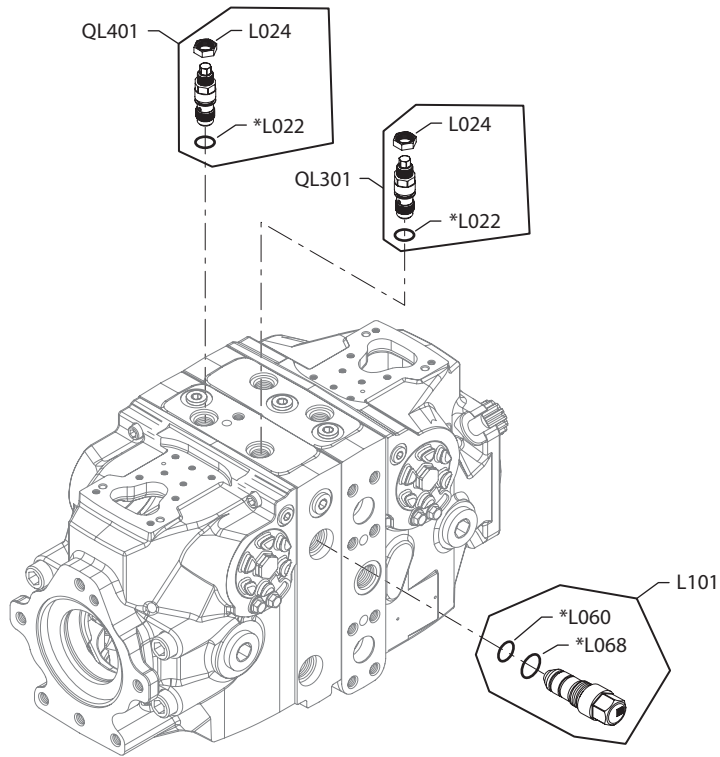

Variable displacement tandem pump
High pressure setting parts, port C

Order Code	Item	Date Begin	Date End	Part Number	Part Name	Qty. per Model/Kit
all	L022	17-22		041152	O-ring	1
	L060	17-22		141109	O-ring	1
	L068	17-22		11052215	O-ring	1
48	L101	17-22		11049132	High pressure relief valve assembly, 480 bar	1
	L301	17-22		11002291	Pressure limiter plug assembly, CW rotation pump	1
	L401	17-22		11002291	Pressure limiter plug assembly, CCW rotation pump	1
AE	L024	17-22		11054668	Nut	1
	L101	17-22		11049121	High pressure relief valve assembly, 200 bar	1
	QL301	17-22		11050482	Pressure limiter valve assembly, CW rotation pump	1
	QL401	17-22		11050482	Pressure limiter valve assembly, CCW rotation pump	1
AH	L024	17-22		11054668	Nut	1
	L101	17-22		11049123	High pressure relief valve assembly, 250 bar	1
	QL301	17-22		11050482	Pressure limiter valve assembly, CW rotation pump	1
	QL401	17-22		11050482	Pressure limiter valve assembly, CCW rotation pump	1
BC	L024	17-22		11054668	Nut	1
	L101	17-22		11049124	High pressure relief valve assembly, 280 bar	1
	QL301	17-22		11050482	Pressure limiter valve assembly, CW rotation pump	1
	QL401	17-22		11050482	Pressure limiter valve assembly, CCW rotation pump	1
BE	L024	17-22		11054668	Nut	1
	L101	17-22		11049125	High pressure relief valve assembly, 300 bar	1
	QL301	17-22		11050482	Pressure limiter valve assembly, CW rotation pump	1
	QL401	17-22		11050482	Pressure limiter valve assembly, CCW rotation pump	1
BH	L024	17-22		11054668	Nut	1
	L101	17-22		11049126	High pressure relief valve assembly, 330 bar	1
	QL301	17-22		11050482	Pressure limiter valve assembly, CW rotation pump	1
	QL401	17-22		11050482	Pressure limiter valve assembly, CCW rotation pump	1
BK	L024	17-22		11054668	Nut	1
	L101	17-22		11049123	High pressure relief valve assembly, 250 bar	1
	QL301	17-22		11050482	Pressure limiter valve assembly, CW rotation pump	1
	QL401	17-22		11050482	Pressure limiter valve assembly, CCW rotation pump	1
CC	L024	17-22		11054668	Nut	1
	L101	17-22		11049128	High pressure relief valve assembly, 380 bar	1
	QL301	17-22		11050482	Pressure limiter valve assembly, CW rotation pump	1
	QL401	17-22		11050482	Pressure limiter valve assembly, CCW rotation pump	1
CE	L024	17-22		11054668	Nut	1
	L101	17-22		11049129	High pressure relief valve assembly, 400 bar	1
	QL301	17-22		11050482	Pressure limiter valve assembly, CW rotation pump	1
	QL401	17-22		11050482	Pressure limiter valve assembly, CCW rotation pump	1



Variable displacement tandem pump

(CH - DK)



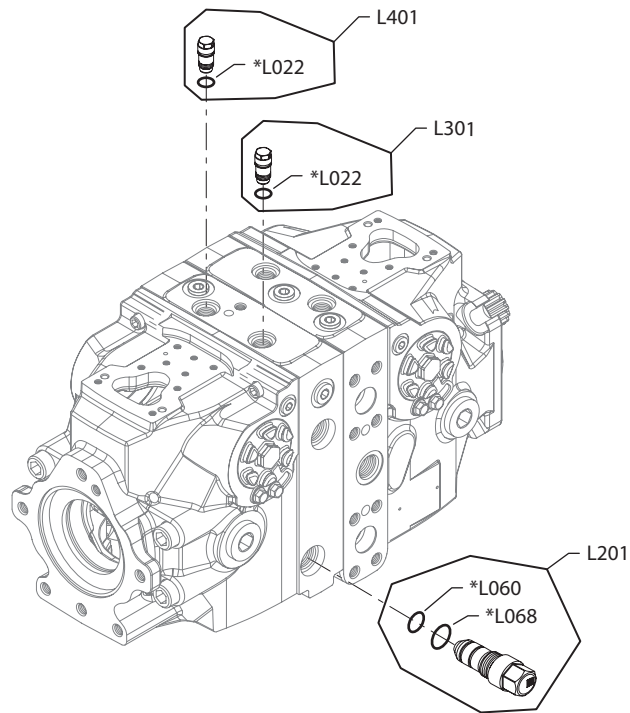

Variable displacement tandem pump
High pressure setting parts, port C

Order Code	Item	Date Begin	Date End	Part Number	Part Name	Qty. per Model/Kit
all	L022	17-22		041152	O-ring	1
	L024	17-22		11054668	Nut	1
	L060	17-22		141109	O-ring	1
	L068	17-22		11052215	O-ring	1
CH	L101	17-22		11049130	High pressure relief valve assembly, 420 bar	1
	QL301	17-22		11050482	Pressure limiter valve assembly, CW rotation pump	1
	QL401	17-22		11050482	Pressure limiter valve assembly, CCW rotation pump	1
CK	L101	17-22		11049127	High pressure relief valve assembly, 350 bar	1
	QL301	17-22		11050482	Pressure limiter valve assembly, CW rotation pump	1
	QL401	17-22		11050482	Pressure limiter valve assembly, CCW rotation pump	1
DA	L101	17-22		11049131	High pressure relief valve assembly, 450 bar	1
	QL301	17-22		11050482	Pressure limiter valve assembly, CW rotation pump	1
	QL401	17-22		11050482	Pressure limiter valve assembly, CCW rotation pump	1
DB	L101	17-22		11049131	High pressure relief valve assembly, 450 bar	1
	QL301	17-22		11050482	Pressure limiter valve assembly, CW rotation pump	1
	QL401	17-22		11050482	Pressure limiter valve assembly, CCW rotation pump	1
DC	L101	17-22		11049132	High pressure relief valve assembly, 480 bar	1
	QL301	17-22		11050482	Pressure limiter valve assembly, CW rotation pump	1
	QL401	17-22		11050482	Pressure limiter valve assembly, CCW rotation pump	1
DD	L101	17-22		11049132	High pressure relief valve assembly, 480 bar	1
	QL301	17-22		11050482	Pressure limiter valve assembly, CW rotation pump	1
	QL401	17-22		11050482	Pressure limiter valve assembly, CCW rotation pump	1
DE	L101	17-22		11049132	High pressure relief valve assembly, 480 bar	1
	QL301	17-22		11050482	Pressure limiter valve assembly, CW rotation pump	1
	QL401	17-22		11050482	Pressure limiter valve assembly, CCW rotation pump	1
DH	L101	17-22		11049133	High pressure relief valve assembly, 510 bar	1
	QL301	17-22		11050482	Pressure limiter valve assembly, CW rotation pump	1
	QL401	17-22		11050482	Pressure limiter valve assembly, CCW rotation pump	1
DK	L101	17-22		11049131	High pressure relief valve assembly, 450 bar	1
	QL301	17-22		11050482	Pressure limiter valve assembly, CW rotation pump	1
	QL401	17-22		11050482	Pressure limiter valve assembly, CCW rotation pump	1



Variable displacement tandem pump

(18 - 45)



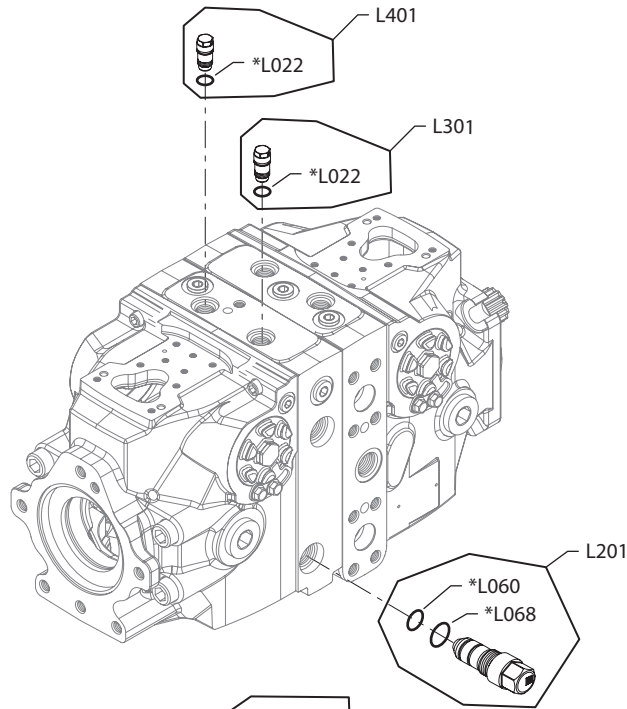

Variable displacement tandem pump
High pressure setting parts, port D

Order Code	Item	Date Begin	Date End	Part Number	Part Name	Qty. per Model/Kit
all	L022	17-22		041152	O-ring	1
	L060	17-22		141109	O-ring	1
	L068	17-22		11052215	O-ring	1
18	L201	17-22		11049120	High pressure relief valve assembly, 180 bar	1
	L301	17-22		11002291	Pressure limiter plug assembly, CCW rotation pump	1
	L401	17-22		11002291	Pressure limiter plug assembly, CC rotation pump	1
20	L201	17-22		11049121	High pressure relief valve assembly, 200 bar	1
	L301	17-22		11002291	Pressure limiter plug assembly, CCW rotation pump	1
	L401	17-22		11002291	Pressure limiter plug assembly, CW rotation pump	1
23	L201	17-22		11049122	High pressure relief valve assembly, 230 bar	1
	L301	17-22		11002291	Pressure limiter plug assembly, CCW rotation pump	1
	L401	17-22		11002291	Pressure limiter plug assembly, CW rotation pump	1
25	L201	17-22		11049123	High pressure relief valve assembly, 250 bar	1
	L301	17-22		11002291	Pressure limiter plug assembly, CCW rotation pump	1
	L401	17-22		11002291	Pressure limiter plug assembly, CW rotation pump	1
28	L201	17-22		11049124	High pressure relief valve assembly, 280 bar	1
	L301	17-22		11002291	Pressure limiter plug assembly, CCW rotation pump	1
	L401	17-22		11002291	Pressure limiter plug assembly, CW rotation pump	1
30	L201	17-22		11049125	High pressure relief valve assembly, 300 bar	1
	L301	17-22		11002291	Pressure limiter plug assembly, CCW rotation pump	1
	L401	17-22		11002291	Pressure limiter plug assembly, CW rotation pump	1
33	L201	17-22		11049126	High pressure relief valve assembly, 330 bar	1
	L301	17-22		11002291	Pressure limiter plug assembly, CCW rotation pump	1
	L401	17-22		11002291	Pressure limiter plug assembly, CW rotation pump	1
35	L201	17-22		11049127	High pressure relief valve assembly, 350 bar	1
	L301	17-22		11002291	Pressure limiter plug assembly, CCW rotation pump	1
	L401	17-22		11002291	Pressure limiter plug assembly, CW rotation pump	1
38	L201	17-22		11049128	High pressure relief valve assembly, 380 bar	1
	L301	17-22		11002291	Pressure limiter plug assembly, CCW rotation pump	1
	L401	17-22		11002291	Pressure limiter plug assembly, CW rotation pump	1
40	L201	17-22		11049129	High pressure relief valve assembly, 400 bar	1
	L301	17-22		11002291	Pressure limiter plug assembly, CCW rotation pump	1
	L401	17-22		11002291	Pressure limiter plug assembly, CW rotation pump	1
42	L201	17-22		11049130	High pressure relief valve assembly, 420 bar	1
	L301	17-22		11002291	Pressure limiter plug assembly, CCW rotation pump	1
	L401	17-22		11002291	Pressure limiter plug assembly, CW rotation pump	1
45	L201	17-22		11049131	High pressure relief valve assembly, 450 bar	1
	L301	17-22		11002291	Pressure limiter plug assembly, CCW rotation pump	1
	L401	17-22		11002291	Pressure limiter plug assembly, CW rotation pump	1

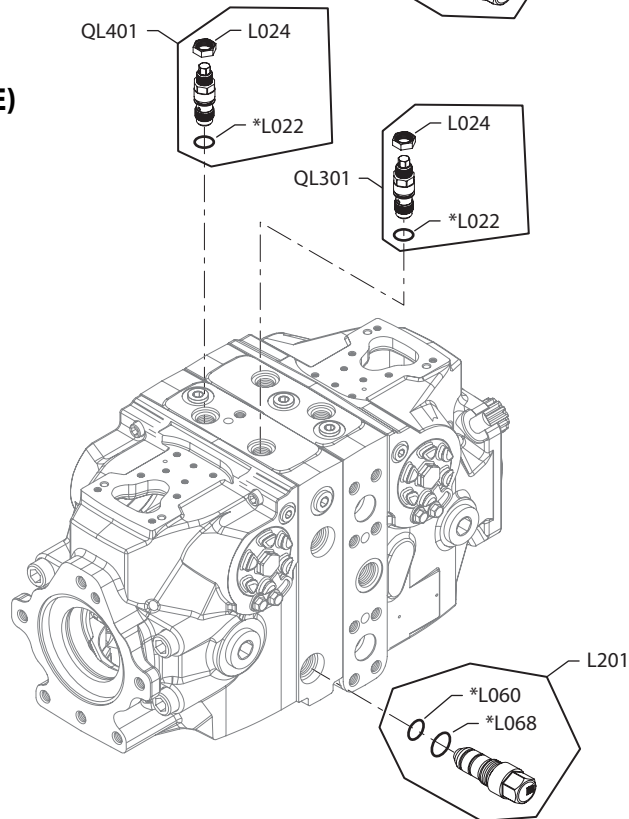


Variable displacement tandem pump

(48)



(AE - CE)



E103 590E

* = included in overhaul seal kit Q210

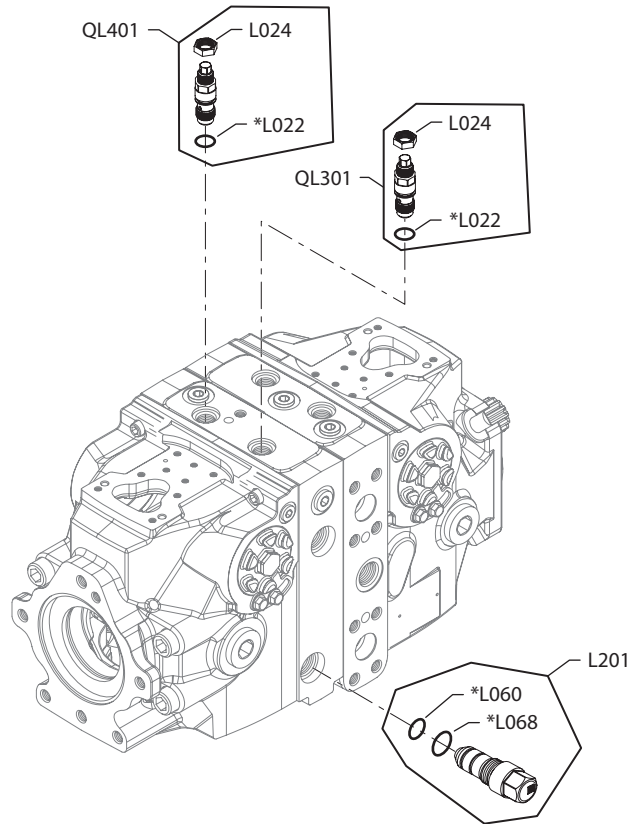

Variable displacement tandem pump
High pressure setting parts, port D

Order Code	Item	Date Begin	Date End	Part Number	Part Name	Qty. per Model/Kit
all	L022	17-22		041152	O-ring	1
	L060	17-22		141109	O-ring	1
	L068	17-22		11052215	O-ring	1
48	L201	17-22		11049132	High pressure relief valve assembly, 480 bar	1
	L301	17-22		11002291	Pressure limiter plug assembly, CCW rotation pump	1
	L401	17-22		11002291	Pressure limiter plug assembly, CW rotation pump	1
AE	L024	17-22		11054668	Nut	1
	L201	17-22		11049121	High pressure relief valve assembly, 200 bar	1
	QL301	17-22		11050482	Pressure limiter valve assembly, CCW rotation pump	1
	QL401	17-22		11050482	Pressure limiter valve assembly, CW rotation pump	1
AH	L024	17-22		11054668	Nut	1
	L201	17-22		11049123	High pressure relief valve assembly, 250 bar	1
	QL301	17-22		11050482	Pressure limiter valve assembly, CCW rotation pump	1
	QL401	17-22		11050482	Pressure limiter valve assembly, CW rotation pump	1
BC	L024	17-22		11054668	Nut	1
	L201	17-22		11049124	High pressure relief valve assembly, 280 bar	1
	QL301	17-22		11050482	Pressure limiter valve assembly, CCW rotation pump	1
	QL401	17-22		11050482	Pressure limiter valve assembly, CW rotation pump	1
BE	L024	17-22		11054668	Nut	1
	L201	17-22		11049125	High pressure relief valve assembly, 300 bar	1
	QL301	17-22		11050482	Pressure limiter valve assembly, CCW rotation pump	1
	QL401	17-22		11050482	Pressure limiter valve assembly, CW rotation pump	1
BH	L024	17-22		11054668	Nut	1
	L201	17-22		11049126	High pressure relief valve assembly, 330 bar	1
	QL301	17-22		11050482	Pressure limiter valve assembly, CCW rotation pump	1
	QL401	17-22		11050482	Pressure limiter valve assembly, CW rotation pump	1
BK	L024	17-22		11054668	Nut	1
	L201	17-22		11049123	High pressure relief valve assembly, 250 bar	1
	QL301	17-22		11050482	Pressure limiter valve assembly, CCW rotation pump	1
	QL401	17-22		11050482	Pressure limiter valve assembly, CW rotation pump	1
CC	L024	17-22		11054668	Nut	1
	L201	17-22		11049128	High pressure relief valve assembly, 380 bar	1
	QL301	17-22		11050482	Pressure limiter valve assembly, CCW rotation pump	1
	QL401	17-22		11050482	Pressure limiter valve assembly, CW rotation pump	1
CE	L024	17-22		11054668	Nut	1
	L201	17-22		11049129	High pressure relief valve assembly, 400 bar	1
	QL301	17-22		11050482	Pressure limiter valve assembly, CCW rotation pump	1
	QL401	17-22		11050482	Pressure limiter valve assembly, CW rotation pump	1



Variable displacement tandem pump

(CH - DK)



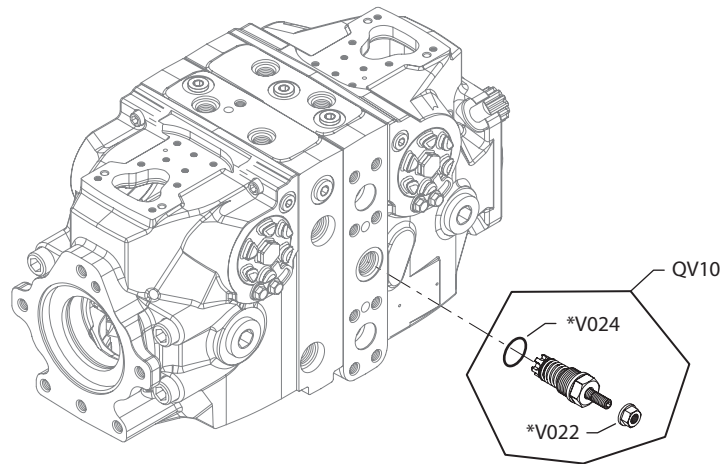

Variable displacement tandem pump
High pressure setting parts, port D

Order Code	Item	Date Begin	Date End	Part Number	Part Name	Qty. per Model/Kit
all	L022	17-22		041152	O-ring	1
	L024	17-22		11054668	Nut	1
	L060	17-22		141109	O-ring	1
	L068	17-22		11052215	O-ring	1
CH	L201	17-22		11049130	High pressure relief valve assembly, 420 bar	1
	QL301	17-22		11050482	Pressure limiter valve assembly, CCW rotation pump	1
	QL401	17-22		11050482	Pressure limiter valve assembly, CW rotation pump	1
CK	L201	17-22		11049127	High pressure relief valve assembly, 350 bar	1
	QL301	17-22		11050482	Pressure limiter valve assembly, CCW rotation pump	1
	QL401	17-22		11050482	Pressure limiter valve assembly, CW rotation pump	1
DA	L201	17-22		11049131	High pressure relief valve assembly, 450 bar	1
	QL301	17-22		11050482	Pressure limiter valve assembly, CCW rotation pump	1
	QL401	17-22		11050482	Pressure limiter valve assembly, CW rotation pump	1
DB	L201	17-22		11049131	High pressure relief valve assembly, 450 bar	1
	QL301	17-22		11050482	Pressure limiter valve assembly, CCW rotation pump	1
	QL401	17-22		11050482	Pressure limiter valve assembly, CW rotation pump	1
DC	L201	17-22		11049132	High pressure relief valve assembly, 480 bar	1
	QL301	17-22		11050482	Pressure limiter valve assembly, CCW rotation pump	1
	QL401	17-22		11050482	Pressure limiter valve assembly, CW rotation pump	1
DD	L201	17-22		11049132	High pressure relief valve assembly, 480 bar	1
	QL301	17-22		11050482	Pressure limiter valve assembly, CCW rotation pump	1
	QL401	17-22		11050482	Pressure limiter valve assembly, CW rotation pump	1
DE	L201	17-22		11049132	High pressure relief valve assembly, 480 bar	1
	QL301	17-22		11050482	Pressure limiter valve assembly, CCW rotation pump	1
	QL401	17-22		11050482	Pressure limiter valve assembly, CW rotation pump	1
DF	L200	17-22		11049133	High pressure relief valve assembly, 510 bar	1
	QL301	17-22		11050482	Pressure limiter valve assembly, CW rotation pump	1
	QL401	17-22		11050482	Pressure limiter valve assembly, CCW rotation pump	1
DG	L200	17-22		11049133	High pressure relief valve assembly, 510 bar	1
	QL301	17-22		11050482	Pressure limiter valve assembly, CW rotation pump	1
	QL401	17-22		11050482	Pressure limiter valve assembly, CCW rotation pump	1
DH	L201	17-22		11049133	High pressure relief valve assembly, 510 bar	1
	QL301	17-22		11050482	Pressure limiter valve assembly, CCW rotation pump	1
	QL401	17-22		11050482	Pressure limiter valve assembly, CW rotation pump	1
DK	L201	17-22		11049131	High pressure relief valve assembly, 450 bar	1
	QL301	17-22		11050482	Pressure limiter valve assembly, CCW rotation pump	1
	QL401	17-22		11050482	Pressure limiter valve assembly, CW rotation pump	1



Variable displacement tandem pump

(20-34)





Variable displacement tandem pump

Charge pump

Order Code	Item	Date Begin	Date End	Part Number	Part Name	Qty. per Model/Kit
N				None		

Filtration

E				None		
---	--	--	--	------	--	--

Charge pressure relief setting

20-34	QV10	17-22		11137579	Charge relief valve kit, 20-34 bar	1
	V022	17-22		066159	Seal nut, M12	1
	V024	17-22		001149 (9004201-6200)	O-ring	1


Variable displacement tandem pump
Overhaul seal kit

Order Code	Item	Date Begin	Date End	Part Number	Part Name	Qty. per Model/Kit
	Q210	17-22		11178405	Overhaul seal kit, H1 tandem, 60/68cc	1
	D060	17-22		612291 (9003508-0008)	Seal nut, M8	2
	D150	17-22		11173377	Control gasket	1
	D151	17-22		11173377	Control gasket	1
	E020	17-22		11045358	O-ring, 1.864 x 0.70, nitrile	4
	E025	17-22		11040065	Piston seal ring	4
	E250	17-22		11045233	O-ring, 2.425 x .103, viton	4
	E500	17-22		505412 (9003509-0008)	Seal nut, M8	1
	E501	17-22		505412 (9003509-0008)	Seal nut, M8	1
	E550	17-22		505412 (9003509-0008)	Seal nut, M8	1
	E551	17-22		505412 (9003509-0008)	Seal nut, M8	1
	G150	17-22		11123580	End cap gasket	2
	G151	17-22		11159706	Center section gasket	1
	J250	17-22		141936	Lip seal	1
	J260	17-22		9004104-2310	O-ring, 2.609 x .139, viton	1
	L022	17-22		041152	O-ring, 12.0 x 2.0, nitrile	4
	L060	17-22		141109	O-ring, 16.0 x 1.5, viton	4
	L068	17-22		11052215	O-ring, 19.3 x 2.4, viton	4
	QD26	17-22		11001952	O-ring, 18.00 x 1.50, viton	2
	QD26R	17-22		11001952	O-ring, 18.00 x 1.50, viton	2
	QD751	17-22		001131 (9004201-5000)	O-ring, 0.087 x .644, nitrile, 90D	2
	QG10A	17-22		11177222	Cartridge seal kit	1
	QG11A	17-22		11177222	Cartridge seal kit	1
	V022	17-22		066159	Seal nut, M12	1
	V024	17-22		001149 (9004201-6200)	O-ring, 19.18 x 2.46, nitrile	1



Notes



Products we offer:

- Bent Axis Motors
- Closed Circuit Axial Piston Pumps and Motors
- Displays
- Electrohydraulic Power Steering
- Electrohydraulics
- Hydraulic Power Steering
- Integrated Systems
- Joysticks and Control Handles
- Microcontrollers and Software
- Open Circuit Axial Piston Pumps
- Orbital Motors
- PLUS+1® GUIDE
- Proportional Valves
- Sensors
- Steering
- Transit Mixer Drives

Danfoss Power Solutions is a global manufacturer and supplier of high-quality hydraulic and electronic components. We specialize in providing state-of-the-art technology and solutions that excel in the harsh operating conditions of the mobile off-highway market. Building on our extensive applications expertise, we work closely with our customers to ensure exceptional performance for a broad range of off-highway vehicles.

We help OEMs around the world speed up system development, reduce costs and bring vehicles to market faster.

Danfoss – Your Strongest Partner in Mobile Hydraulics.

Go to www.powersolutions.danfoss.com for further product information.

Wherever off-highway vehicles are at work, so is Danfoss.

We offer expert worldwide support for our customers, ensuring the best possible solutions for outstanding performance. And with an extensive network of Global Service Partners, we also provide comprehensive global service for all of our components.

Please contact the Danfoss Power Solution representative nearest you.

Comatrol

www.comatrol.com

Turolla

www.turollaocg.com

Hydro-Gear

www.hydro-gear.com

Daikin-Sauer-Danfoss

www.daikin-sauer-danfoss.com

Local address:

Danfoss Power Solutions US Company
2800 East 13th Street
Ames, IA 50010, USA
Phone: +1 515 239 6000

Danfoss Power Solutions GmbH & Co. OHG
Krokamp 35
D-24539 Neumünster, Germany
Phone: +49 4321 871 0

Danfoss Power Solutions ApS
Nordborgvej 81
DK-6430 Nordborg, Denmark
Phone: +45 7488 4444

Danfoss Power Solutions
Building #22, No. 1000 Jin Hai Rd
Jin Qiao, Pudong New District
Shanghai, China 201206
Phone: +86 21 3418 5200

Danfoss can accept no responsibility for possible errors in catalogues, brochures and other printed material. Danfoss reserves the right to alter its products without notice. This also applies to products already on order provided that such alterations can be made without subsequential changes being necessary in specifications already agreed. All trademarks in this material are property of the respective companies. Danfoss and the Danfoss logotype are trademarks of Danfoss A/S. All rights reserved.