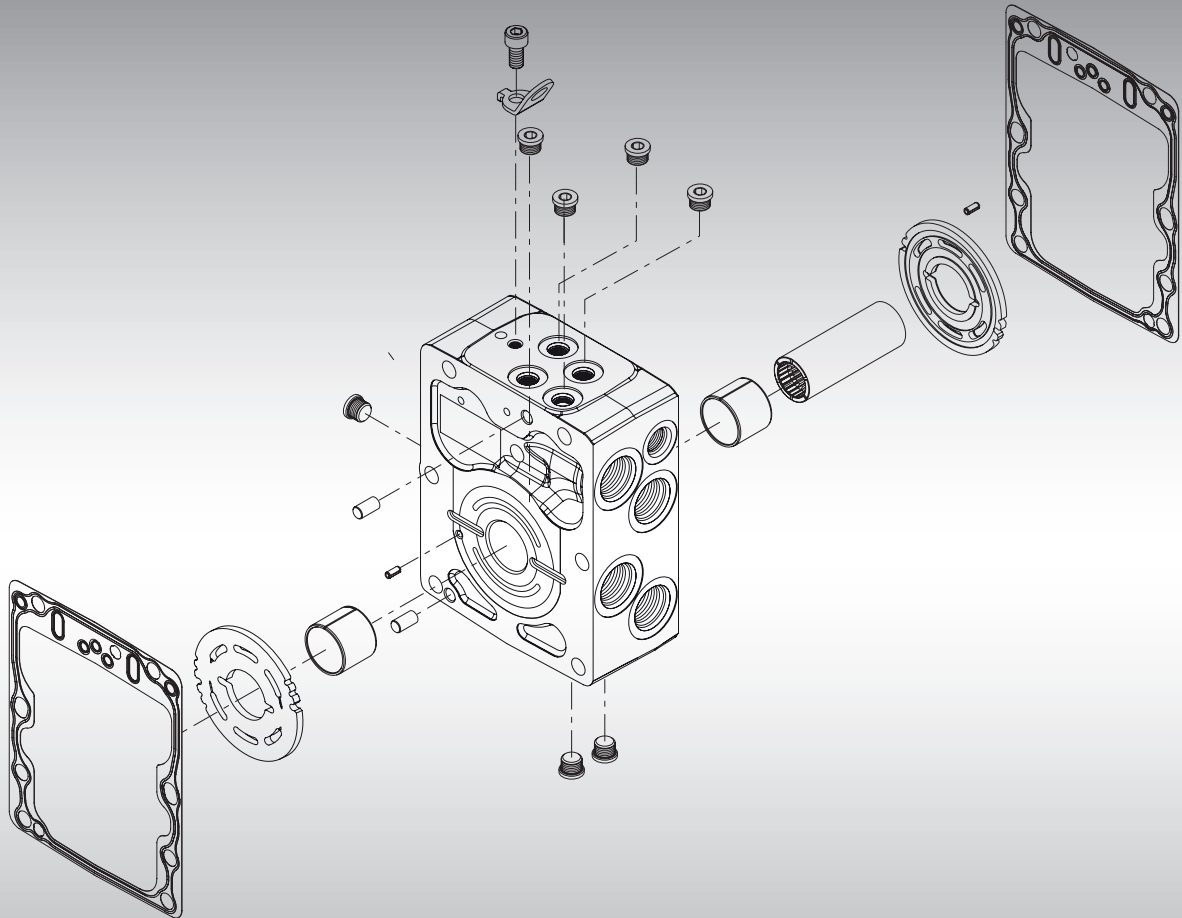




Parts Manual

H1T 45 & 53cc

Variable Displacement Tandem Pump







Contents

General Information	Service parts identification.....4	4
	Nameplate4	4
	Date code5	5
	Service bulletins.....5	5
	Procedure to identify a part.....5	5
	Adobe Acrobat 2-page viewing.....6	6
	Order code7	7
Variable displacement tandem pump	Common parts8-9	8-9
	Special hardware10-21	10-21
	Rear displacement22-23	22-23
	Control.....24-59	24-59
	Displacement limitation60-63	60-63
	Orifice64-67	64-67
	Centersection.....66-71	66-71
	Housing.....72-73	72-73
	Shaft72-73	72-73
	Auxiliary mounting74-81	74-81
	High pressure protection82-89	82-89
	Charge pump.....88-89	88-89
	Filtration.....88-89	88-89
	Charge pressure setting.....90-91	90-91
	Overhaul seal kit92	92
Service bulletins	SB-2007-004 (servo cylinder and locking plate)93	93
	SB-2007-026 (servo piston seal ring).....94	94
	SB-2007-033 (solenoid cap and screen locking ring)95	95
	SB-2010-020 (swashplate bearing kit)96	96
	SB-2011-020 (swashplate and slider block)97	97
	SB-2013-021 (Charge pump coupling).....98	98
	SB-2015-030 (centersection and charge pressure relief).....99	99



General information

Service parts identification

The following information and procedure is used to identify the module group, item number, manufacture date, part number, and part name of the parts included in the H1, 45 and 53 cc variable displacement tandem pump.

The parts listed include all parts which may be used when performing either "Minor Repairs", "Major Repairs" or "Conversions" on the H1, 45 and 53 cc tandem pump.

Nameplate

Each unit will have a nameplate affixed to the housing. The nameplate will include the following information.

Model Code

The Sauer-Danfoss model code completely defines the specific unit and must be used when ordering parts to service this product.

Model Number

The Sauer-Danfoss model number is used by the factory in manufacturing. On repeat orders, a complete unit can be ordered by the model number.

Serial Number

The Sauer-Danfoss serial number is used to identify the manufacture date and the unit sequence in the build. The serial number is also used to identify the units warranty time period.

The letter code indicates the location of original manufacture (assembly). "A" indicates the unit was originally assembled in Ames, Iowa.

The first number (2 digits) indicates the year of manufacture. ("06" would indicate the unit was manufactured in 2006)

The second number (2 digits) indicates the calendar week of manufacture.

The third number (5 digits) is a sequential number used to identify a specific unit.





General information

Date code

The date code is defined as the year and week of manufacture. The same item number may list more than one part number. This indicates that there is more than one configuration for that item number. You will see that there are different date codes for the different part numbers. Find the date code of your unit from the nameplate to determine which service part number you need to order.

EXAMPLE: The service part desired is Item G30

Order Code	Item	Date Begin	Date End	Part Number	Part Name	Qty. per Model/Kit
80	G30	89-17		8000243	End cap gasket	1
	G30	87-02	89-16	8000151	End cap gasket (SB-1995-006)	1

All units using this order code with a date code of 87-02 and up to and including 89-16, must use part number "8000151". All units with a date code of 89-17 and newer must use part number "8000243".

Service bulletins

A Service Bulletin Number (SB-____-____) may follow the "Part Name" of the part you desire. You must read that Service Bulletin prior to ordering that part. The information contained in these Service Bulletins, as of the print date of this bulletin, are included at the end of this manual. Service Bulletins contain more detailed information such as interchangeability, what additional parts are involved, etc. It is suggested that you add additional Service Bulletins to this manual as you receive them.

Procedure to identify a part

General

The modular design of H1 units results in a simplified service parts list and part number identification procedure.

The same item numbers are used for same part names on all units within a product type. (Example: The lip seal - Item J250 has the same item number on all pumps.)

A part number that has another number following it in parentheses is done to make this a world wide manual. The first number is sold in Germany. The number in parentheses is sold in the United States. (Example: 314583 (9008000-0118), customers would order 9008000-0118 if ordering the part in the United States.)

Example of a Part Identification

The nameplate on an H1 pump has an Order Code of H1T045R A A N A2 C3 N D1 F G7 H7 35 35 35 35 N P 28 PN C01 NNN. Use the following procedures to determine the part number of the drive shaft used on this pump.

- 1) Referring to the input shaft module in the Order Code (see page 7), the input shaft option for this pump is identified by the code "G7". (H1T045R A A N A2 C3 N D1 F **G7** H7 35 35 35 35 N P 28 PN C01 NNN)
- 2) Referring to the Service Parts List, find the shaft group. Next find the order code that relates to this unit, which is "G7". The shaft is found to be item J100 and part number 141942.

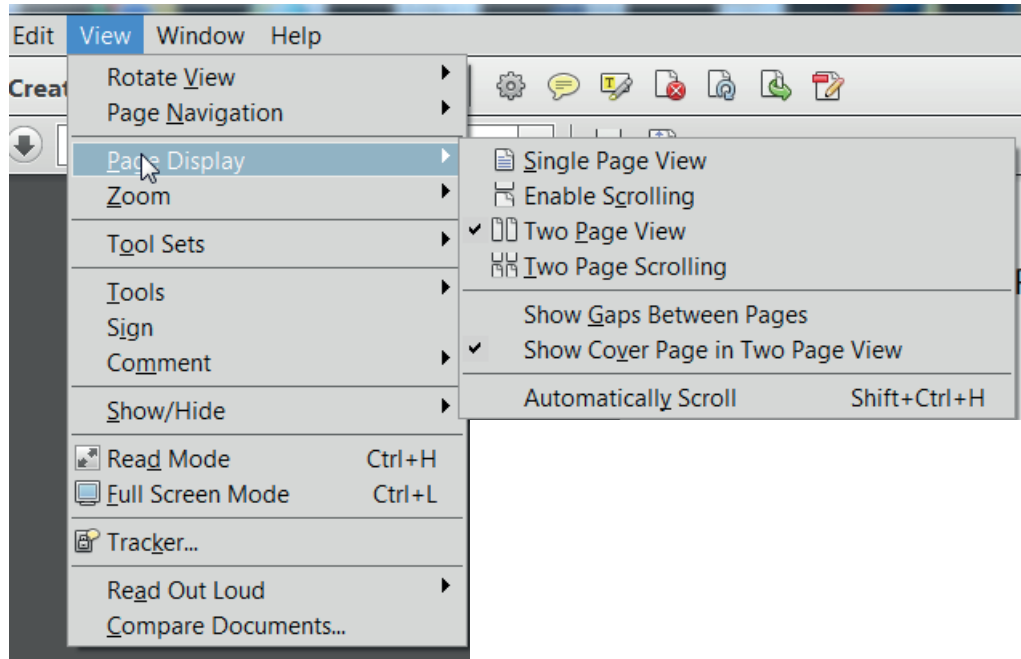


Adobe Acrobat 2-page viewing

Adobe Acrobat 2-page viewing

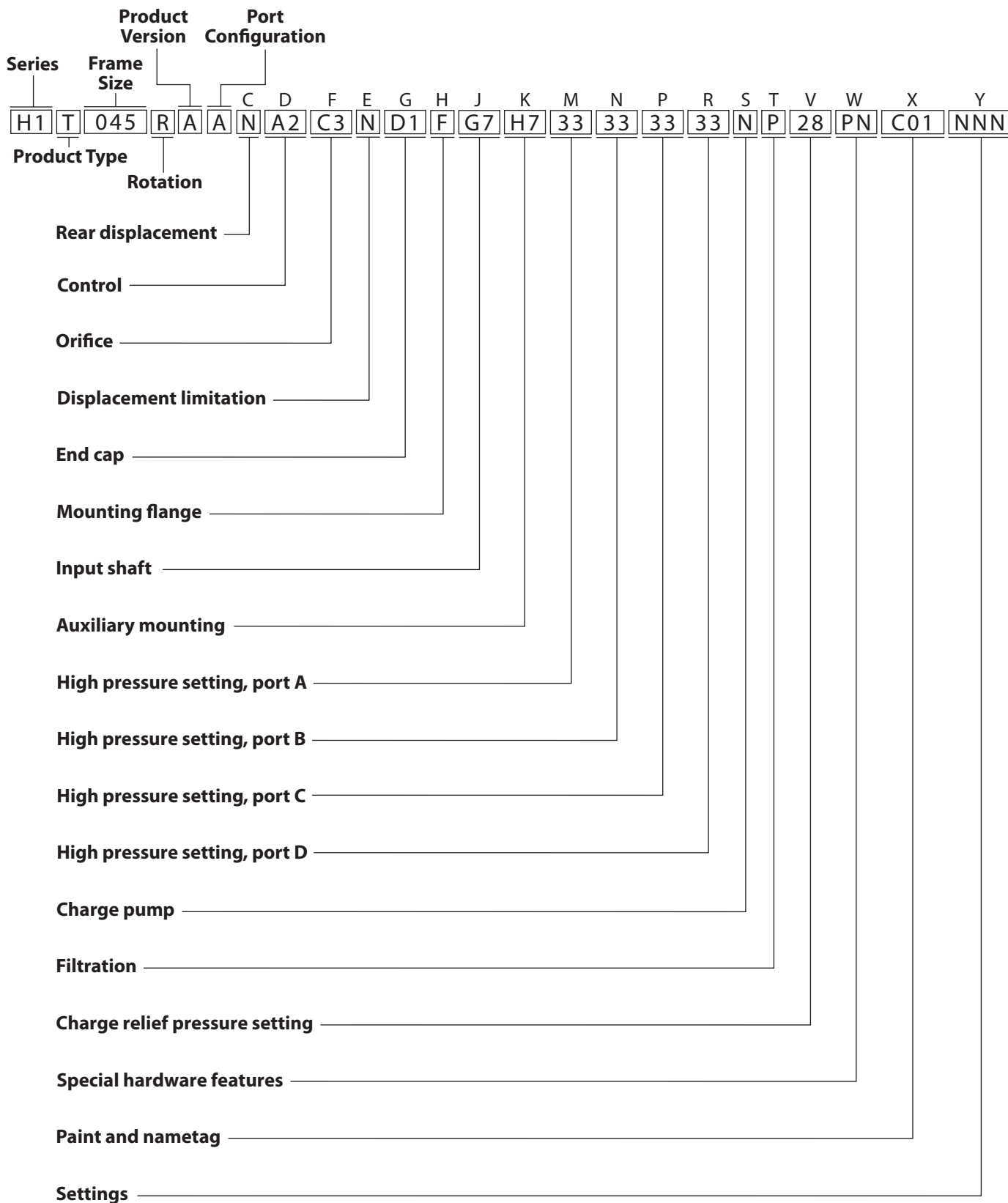
While viewing manual in Adobe Acrobat, the following settings need to be applied to ensure proper page display.

1. Select "View" --> "Page Display" --> "Two Page View"
2. Select "View" --> "Page Display" --> "Show Cover Page in Two Page View"



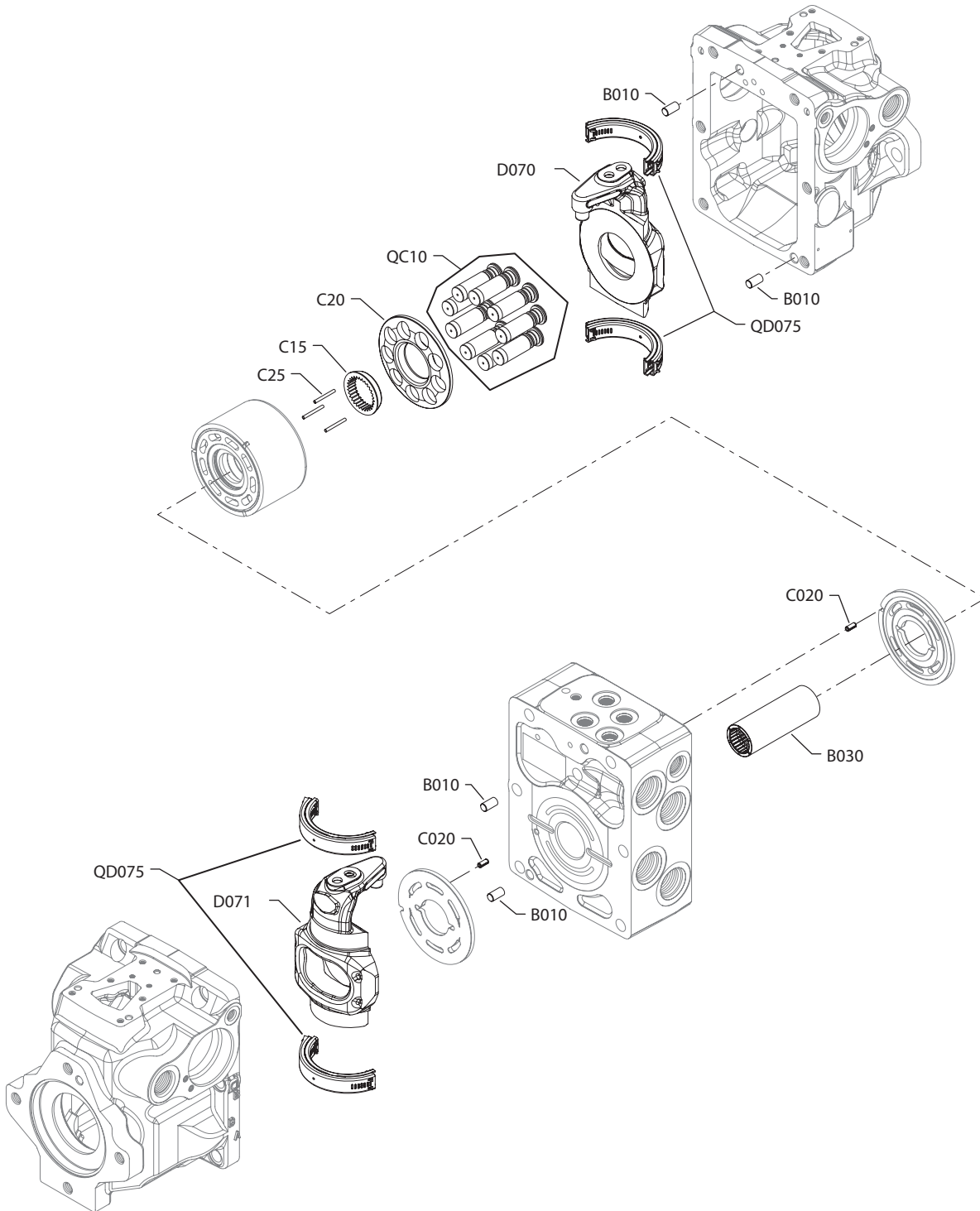


Order code





Variable displacement pump





Variable displacement pump

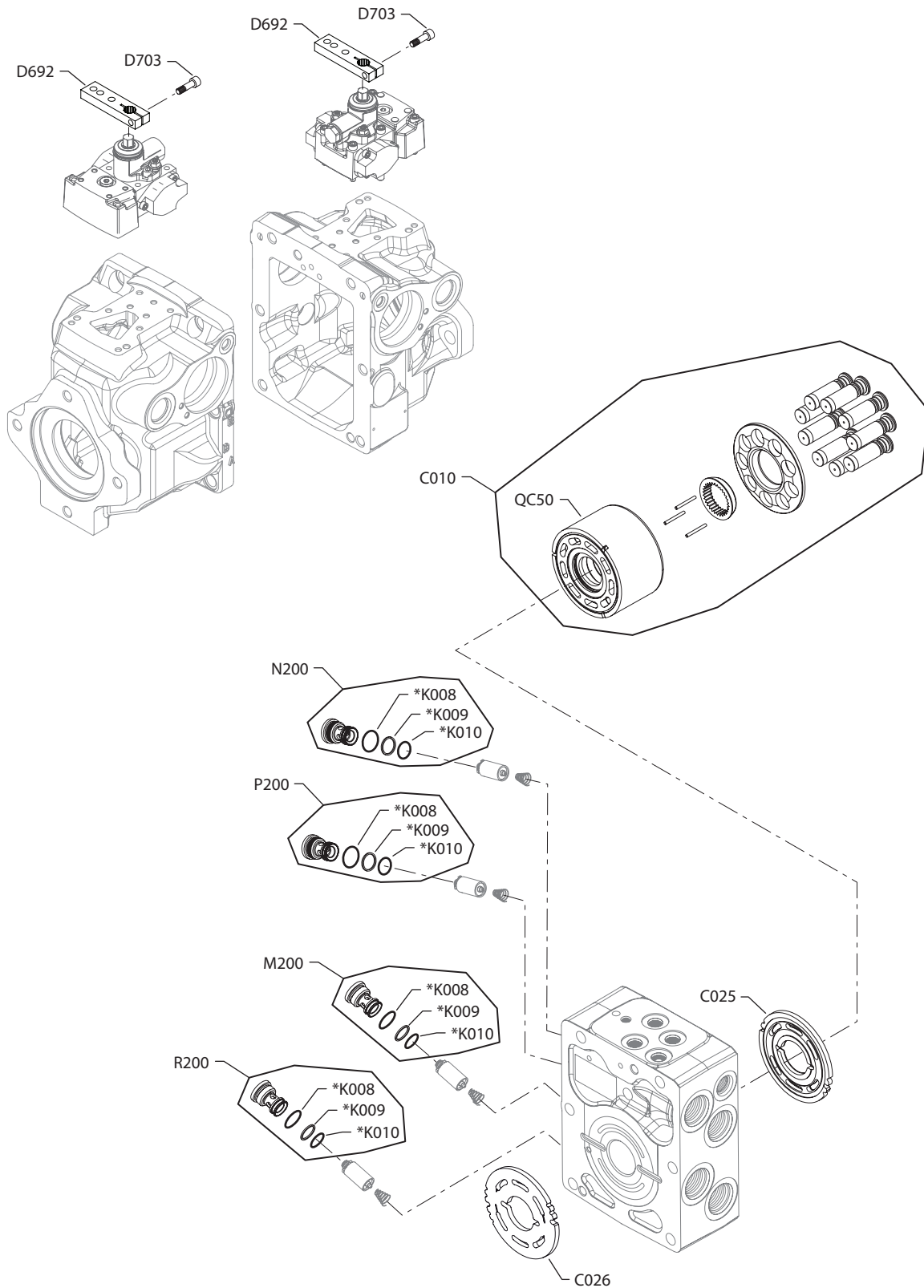
Common parts

Order Code	Item	Date Begin	Date End	Part Number	Qty. per Part Name	Model/Kit
	B010	06-06		5000757	Dowel pin	4
	B030	06-06		141959	Coupling	1
	C020	06-06		9004700-1907	Valve plate pin	2
	C15	06-06		140625	Slipper retainer ball guide	1
	C20	06-06		141946	Slipper retainer	1
	C25	06-06		4700091	Slipper hold down pin	3
	D070	12-21		11068328	Swashplate (SB-2011-020)	1
	D070	06-06	12-20	11098280	Swashplate replacement kit	1
	D071	12-21		11068328	Swashplate (SB-2011-020)	1
	D071	06-06	12-20	11098280	Swashplate replacement kit	1
	QC10	06-06		11020841	Slipper/piston kit, 45 cc	1
	QC10	06-06		11020932	Slipper/piston kit, 53 cc	1
	QD075	06-06		11085533	Swashplate bearing kit (SB-2010-020)	2



Variable displacement pump

(H1)



E103 399E

* = included in overhaul seal kit Q210



Variable displacement pump

Special hardware, "L" rotation tandem pump

Order Code	Item	Date Begin	Date End	Part Number	Qty. per Part Name	Model/Kit
H1	C010	14-33		141631	Cylinder block kit, 45 cc	1
	C010	14-33		141632	Cylinder block kit, 53 cc	1
	C025	14-33		11071901	Valve plate kit, CW	1
	C026	14-33		11071912	Valve plate kit, CCW	1
	D692	14-33		11185938	Control handle	1
	D703	14-33		11173701	Screw, M6 20	1
	D792	14-33		11185938	Control handle	1
	D793	14-33		11173701	Screw, M6 20	1
	K008	14-33		9004201-6200	O-ring	4
	K009	14-33		9006110-0160	Back up ring	4
	K010	14-33		9004105-0160	O-ring	4
	M200	14-33		4800589	SCR plug assembly	1
	N200	14-33		4800589	SCR plug assembly	1
	P200	14-33		4800589	SCR plug assembly	1
	QC50	14-33		141553	Cylinder block assembly, 45 cc	1
	QC50	14-33		141554	Cylinder block assembly, 53 cc	1
	R200	14-33		4800589	SCR plug assembly	1

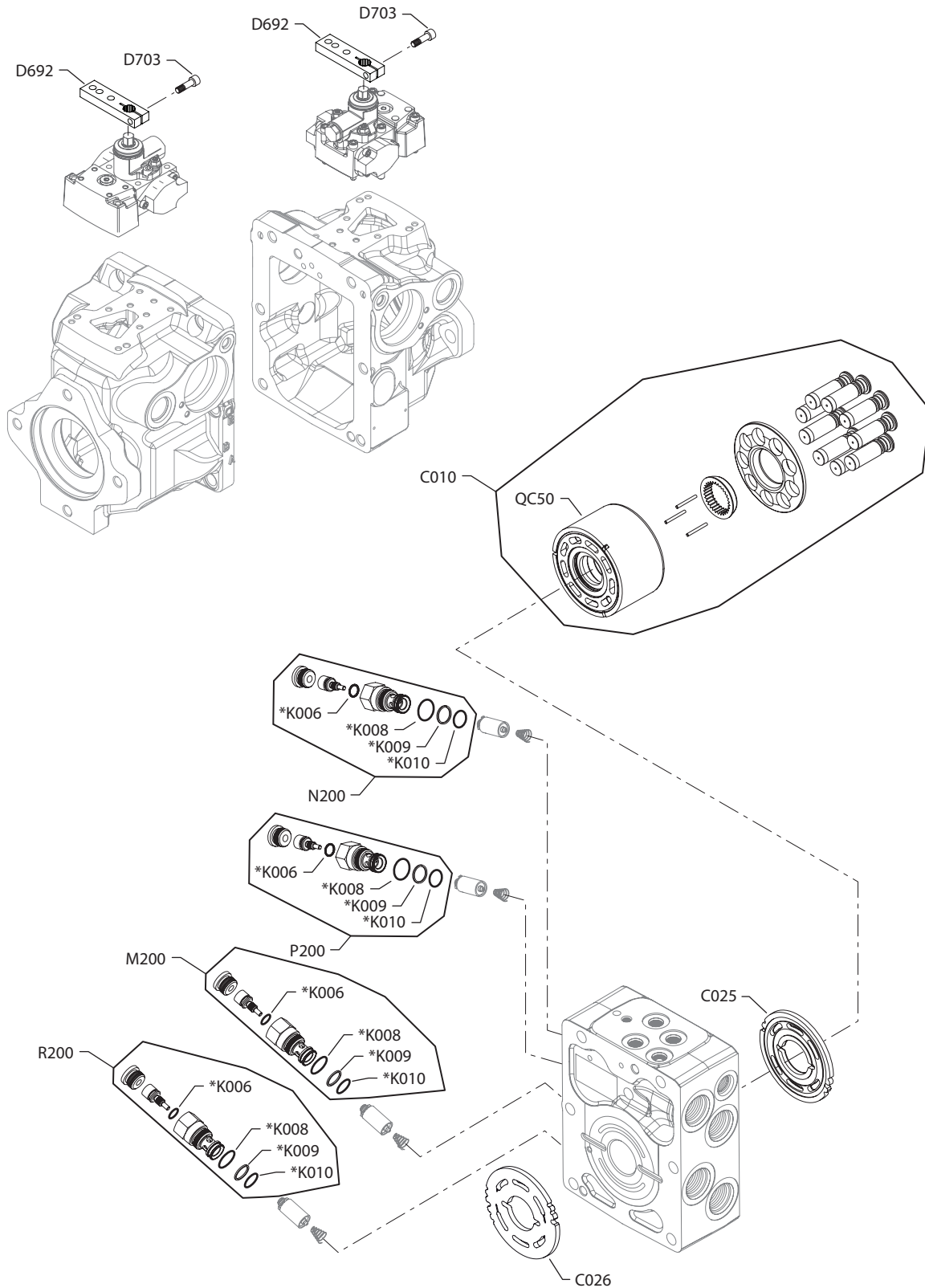
Special hardware, "R" rotation tandem pump

H1	C010	14-33		141631	Cylinder block kit, 45 cc	1
	C010	14-33		141632	Cylinder block kit, 53 cc	1
	C025	14-33		11071912	Valve plate kit, CCW	1
	C026	14-33		11071901	Valve plate kit, CW	1
	D692	14-33		11185938	Control handle	1
	D703	14-33		11173701	Screw, M6 20	1
	D792	14-33		11185938	Control handle	1
	D793	14-33		11173701	Screw, M6 20	1
	K008	14-33		9004201-6200	O-ring	4
	K009	14-33		9006110-0160	Back up ring	4
	K010	14-33		9004105-0160	O-ring	4
	M200	14-33		4800589	SCR plug assembly	1
	N200	14-33		4800589	SCR plug assembly	1
	P200	14-33		4800589	SCR plug assembly	1
	QC50	14-33		141553	Cylinder block assembly, 45 cc	1
	QC50	14-33		141554	Cylinder block assembly, 53 cc	1
	R200	14-33		4800589	SCR plug assembly	1



Variable displacement pump

(H2)



E103 614E

* = included in overhaul seal kit Q210


Variable displacement pump
Special hardware, "L" rotation tandem pump

Order Code	Item	Date Begin	Date End	Part Number	Qty. per Part Name	Model/Kit
H2	C010	16-19		141631	Cylinder block kit, 45 cc	1
	C010	16-19		141632	Cylinder block kit, 53 cc	1
	C025	16-19		11071901	Valve plate kit, CW	1
	C026	16-19		11071912	Valve plate kit, CCW	1
	D692	16-19		11185938	Control handle	1
	D703	16-19		11173701	Screw, M6 20	1
	D792	16-19		11185938	Control handle	1
	D793	16-19		11173701	Screw, M6 20	1
	K006	16-19		9004105-0130	O-ring	4
	K008	16-19		9004201-6200	O-ring	4
	K009	16-19		9006110-0160	Back up ring	4
	K010	16-19		9004105-0160	O-ring	4
	M200	16-19		11027133	NCV bypass plug assembly	1
	N200	16-19		11027133	NCV bypass plug assembly	1
	P200	16-19		11027133	NCV bypass plug assembly	1
	QC50	16-19		141553	Cylinder block assembly, 45 cc	1
	QC50	16-19		141554	Cylinder block assembly, 53 cc	1
	R200	16-19		11027133	NCV bypass plug assembly	1

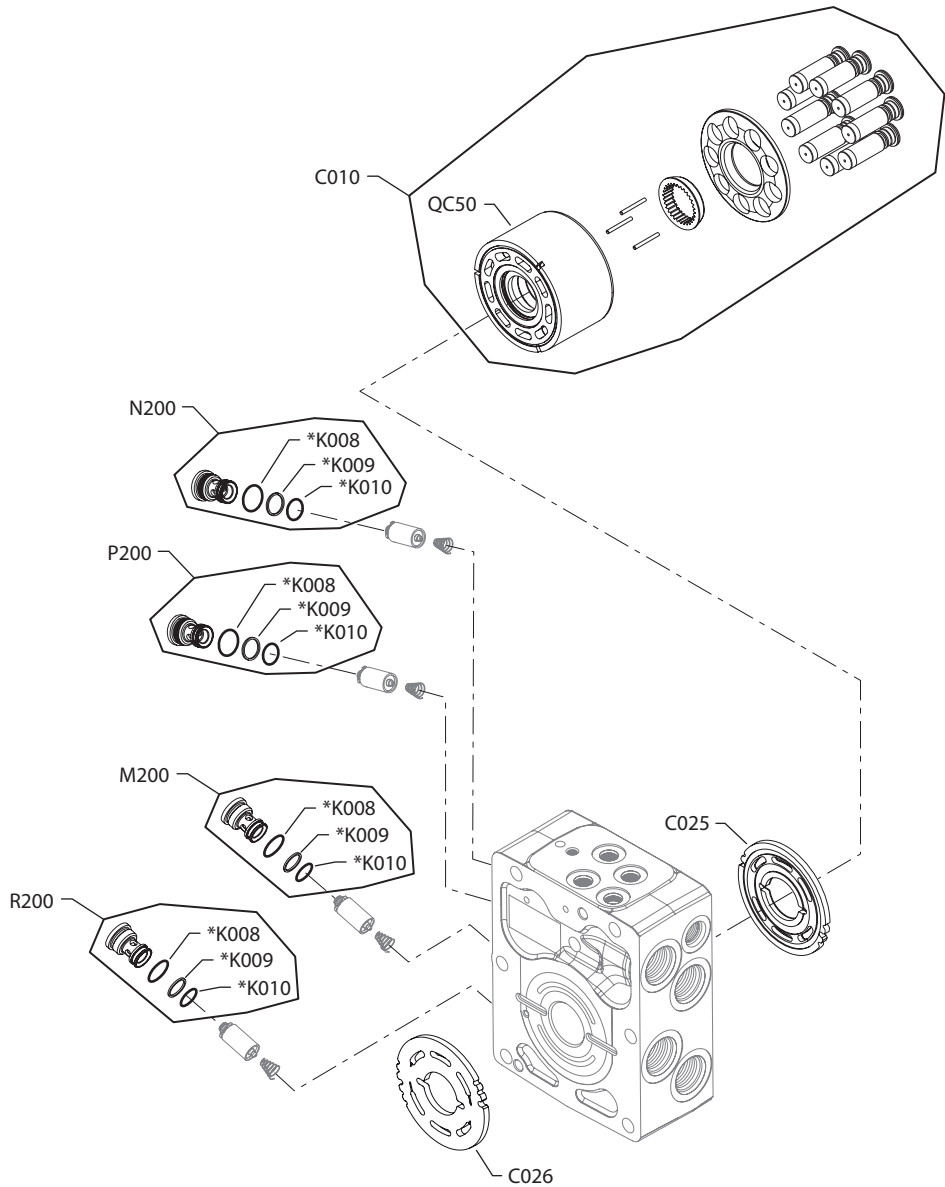
Special hardware, "R" rotation tandem pump

H2	C010	16-19		141631	Cylinder block kit, 45 cc	1
	C010	16-19		141632	Cylinder block kit, 53 cc	1
	C025	16-19		11071912	Valve plate kit, CCW	1
	C026	16-19		11071901	Valve plate kit, CW	1
	D692	16-19		11185938	Control handle	1
	D703	16-19		11173701	Screw, M6 20	1
	D792	16-19		11185938	Control handle	1
	D793	16-19		11173701	Screw, M6 20	1
	K006	16-19		9004105-0130	O-ring	4
	K008	16-19		9004201-6200	O-ring	4
	K009	16-19		9006110-0160	Back up ring	4
	K010	16-19		9004105-0160	O-ring	4
	M200	16-19		11027133	NCV bypass plug assembly	1
	N200	16-19		11027133	NCV bypass plug assembly	1
	P200	16-19		11027133	NCV bypass plug assembly	1
	QC50	16-19		141553	Cylinder block assembly, 45 cc	1
	QC50	16-19		141554	Cylinder block assembly, 53 cc	1
	R200	16-19		11027133	NCV bypass plug assembly	1



Variable displacement pump

(P1)



E101 976E

* = included in overhaul seal kit Q210


Variable displacement pump
Special hardware, "L" rotation tandem pump

Order Code	Item	Date Begin	Date End	Part Number	Qty. per Part Name	Model/Kit
P1	C010	06-06		141631	Cylinder block kit, 45 cc	1
	C010	06-06		141632	Cylinder block kit, 53 cc	1
	C025	06-06		11071901	Valve plate kit, CW	1
	C026	06-06		11071912	Valve plate kit, CCW	1
	K008	06-06		9004201-6200	O-ring	4
	K009	06-06		9006110-0160	Back up ring	4
	K010	06-06		9004105-0160	O-ring	4
	M200	06-06		4800589	SCR plug assembly	1
	N200	06-06		4800589	SCR plug assembly	1
	P200	06-06		4800589	SCR plug assembly	1
	QC50	06-06		141553	Cylinder block assembly, 45 cc	1
	QC50	06-06		141554	Cylinder block assembly, 53 cc	1
	R200	06-06		4800589	SCR plug assembly	1

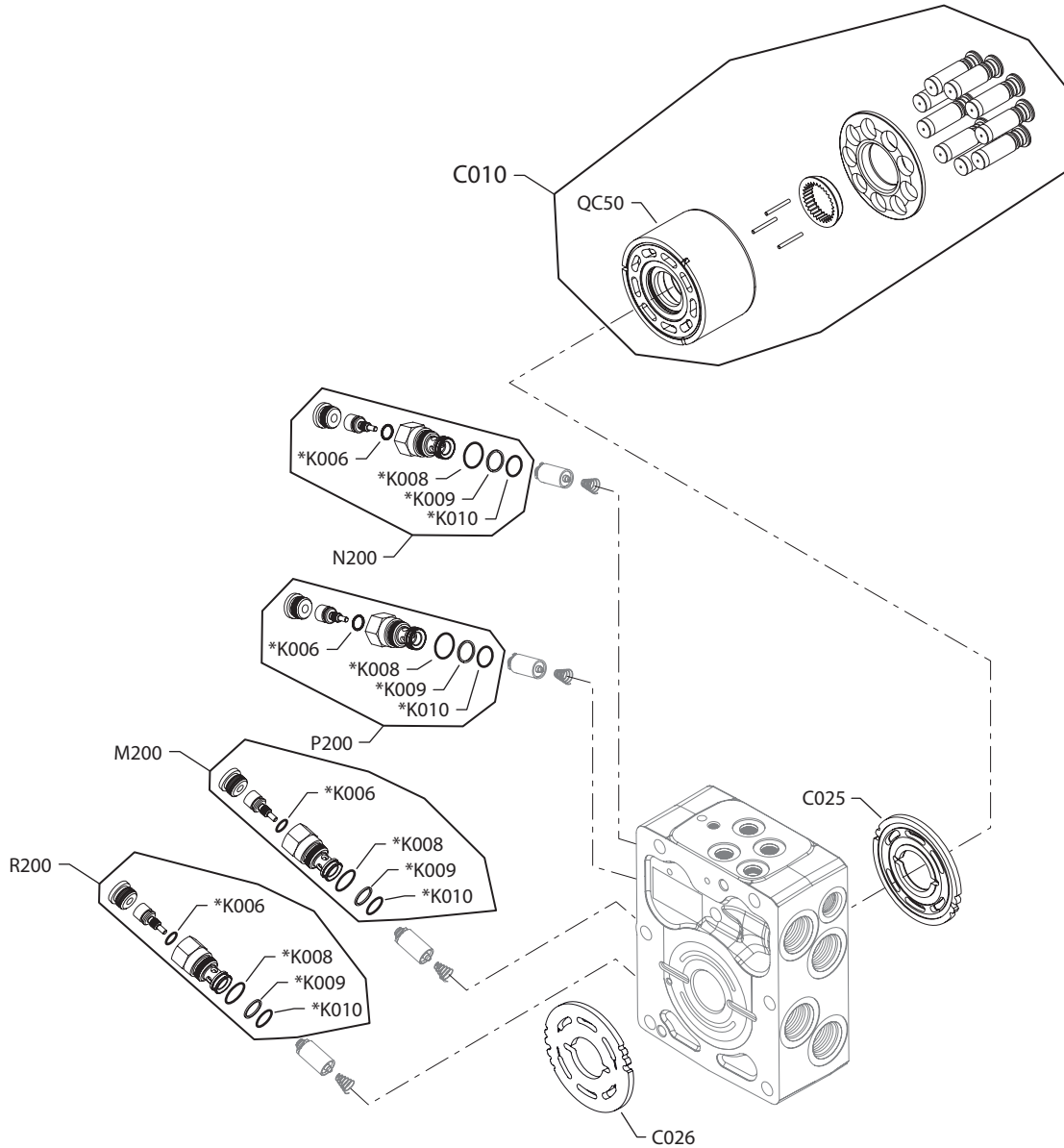
Special hardware, "R" rotation tandem pump

P1	C010	06-06		141631	Cylinder block kit, 45 cc	1
	C010	06-06		141632	Cylinder block kit, 53 cc	1
	C025	06-06		11071912	Valve plate kit, CCW	1
	C026	06-06		11071901	Valve plate kit, CW	1
	K008	06-06		9004201-6200	O-ring	4
	K009	06-06		9006110-0160	Back up ring	4
	K010	06-06		9004105-0160	O-ring	4
	M200	06-06		4800589	SCR plug assembly	1
	N200	06-06		4800589	SCR plug assembly	1
	P200	06-06		4800589	SCR plug assembly	1
	QC50	06-06		141553	Cylinder block assembly, 45 cc	1
	QC50	06-06		141554	Cylinder block assembly, 53 cc	1
	R200	06-06		4800589	SCR plug assembly	1



Variable displacement pump

(P3)



E101 977E

* = included in overhaul seal kit Q210



Variable displacement pump

Special hardware, "L" rotation tandem pump

Order Code	Item	Date Begin	Date End	Part Number	Qty. per Part Name	Model/Kit
P3	C010	06-06		141631	Cylinder block kit, 45 cc	1
	C010	06-06		141632	Cylinder block kit, 53 cc	1
	C025	06-06		11071901	Valve plate kit, CW	1
	C026	06-06		11071912	Valve plate kit, CCW	1
	K006	06-06		9004105-0130	O-ring	4
	K008	06-06		9004201-6200	O-ring	4
	K009	06-06		9006110-0160	Back up ring	4
	K010	06-06		9004105-0160	O-ring	4
	M200	06-06		11027133	NCV bypass plug assembly	1
	N200	06-06		11027133	NCV bypass plug assembly	1
	P200	06-06		11027133	NCV bypass plug assembly	1
	QC50	06-06		141553	Cylinder block assembly, 45 cc	1
	QC50	06-06		141554	Cylinder block assembly, 53 cc	1
	R200	06-06		11027133	NCV bypass plug assembly	1

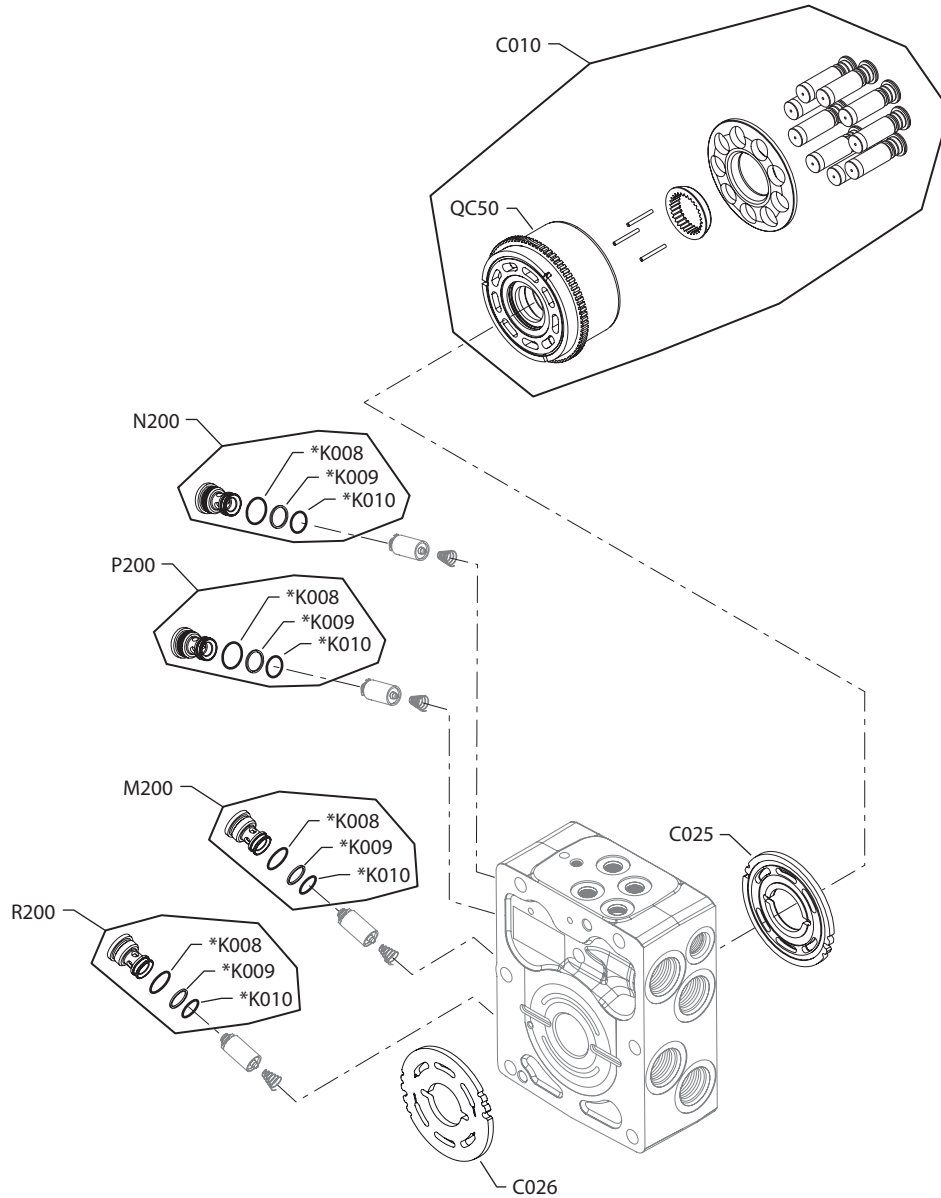
Special hardware, "R" rotation tandem pump

P3	C010	06-06		141631	Cylinder block kit, 45 cc	1
	C010	06-06		141632	Cylinder block kit, 53 cc	1
	C025	06-06		11071912	Valve plate kit, CCW	1
	C026	06-06		11071901	Valve plate kit, CW	1
	K006	06-06		9004105-0130	O-ring	4
	K008	06-06		9004201-6200	O-ring	4
	K009	06-06		9006110-0160	Back up ring	4
	K010	06-06		9004105-0160	O-ring	4
	M200	06-06		11027133	NCV bypass plug assembly	1
	N200	06-06		11027133	NCV bypass plug assembly	1
	P200	06-06		11027133	NCV bypass plug assembly	1
	QC50	06-06		141553	Cylinder block assembly, 45 cc	1
	QC50	06-06		141554	Cylinder block assembly, 53 cc	1
	R200	06-06		11027133	NCV bypass plug assembly	1



Variable displacement pump

(P4)



E101 978E

* = included in overhaul seal kit Q210



Variable displacement pump

Special hardware, "L" rotation tandem pump

Order Code	Item	Date Begin	Date End	Part Number	Qty. per Part Name	Model/Kit
P4	C010	06-06		11030567	Cylinder block kit, with speed ring, 45 cc	1
	C010	06-06		11030568	Cylinder block kit, with speed ring, 53 cc	1
	C025	06-06		11071901	Valve plate kit, CW	1
	C026	06-06		11071912	Valve plate kit, CCW	1
	K008	06-06		9004201-6200	O-ring	4
	K009	06-06		9006110-0160	Back up ring	4
	K010	06-06		9004105-0160	O-ring	4
	M200	06-06		4800589	SCR plug assembly	1
	N200	06-06		4800589	SCR plug assembly	1
	P200	06-06		4800589	SCR plug assembly	1
	QC50	06-06		11030569	Cylinder block assembly, with speed ring, 45 cc	1
	QC50	06-06		11030570	Cylinder block assembly, with speed ring, 53 cc	1
	R200	06-06		4800589	SCR plug assembly	1

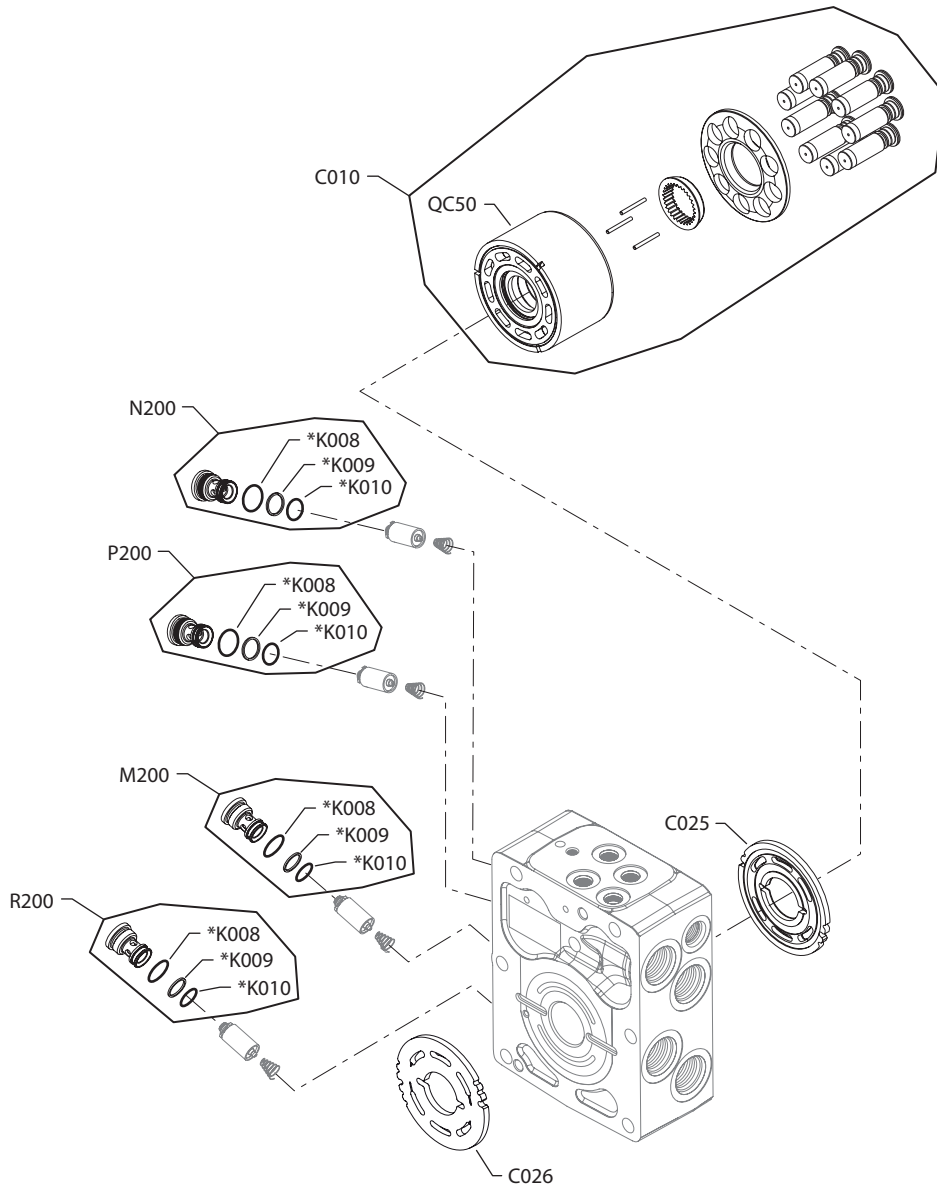
Special hardware, "R" rotation tandem pump

P4	C010	06-06		11030567	Cylinder block kit, with speed ring, 45 cc	1
	C010	06-06		11030568	Cylinder block kit, with speed ring, 53 cc	1
	C025	06-06		11071912	Valve plate kit, CCW	1
	C026	06-06		11071901	Valve plate kit, CW	1
	K008	06-06		9004201-6200	O-ring	4
	K009	06-06		9006110-0160	Back up ring	4
	K010	06-06		9004105-0160	O-ring	4
	M200	06-06		4800589	SCR plug assembly	1
	N200	06-06		4800589	SCR plug assembly	1
	P200	06-06		4800589	SCR plug assembly	1
	QC50	06-06		11030569	Cylinder block assembly, with speed ring, 45 cc	1
	QC50	06-06		11030570	Cylinder block assembly, with speed ring, 53 cc	1
	R200	06-06		4800589	SCR plug assembly	1



Variable displacement pump

(PN)



E101 976E

* = included in overhaul seal kit Q210


Variable displacement pump
Special hardware, "L" rotation tandem pump

Order Code	Item	Date Begin	Date End	Part Number	Qty. per Part Name	Model/Kit
PN	C010	06-06		141631	Cylinder block kit, 45 cc	1
	C010	06-06		141632	Cylinder block kit, 53 cc	1
	C025	06-06		11071901	Valve plate kit, CW	1
	C026	06-06		11071912	Valve plate kit, CCW	1
	K008	06-06		9004201-6200	O-ring	4
	K009	06-06		9006110-0160	Back up ring	4
	K010	06-06		9004105-0160	O-ring	4
	M200	06-06		4800589	SCR plug assembly	1
	N200	06-06		4800589	SCR plug assembly	1
	P200	06-06		4800589	SCR plug assembly	1
	QC50	06-06		141553	Cylinder block assembly, 45 cc	1
	QC50	06-06		141554	Cylinder block assembly, 53 cc	1
	R200	06-06		4800589	SCR plug assembly	1

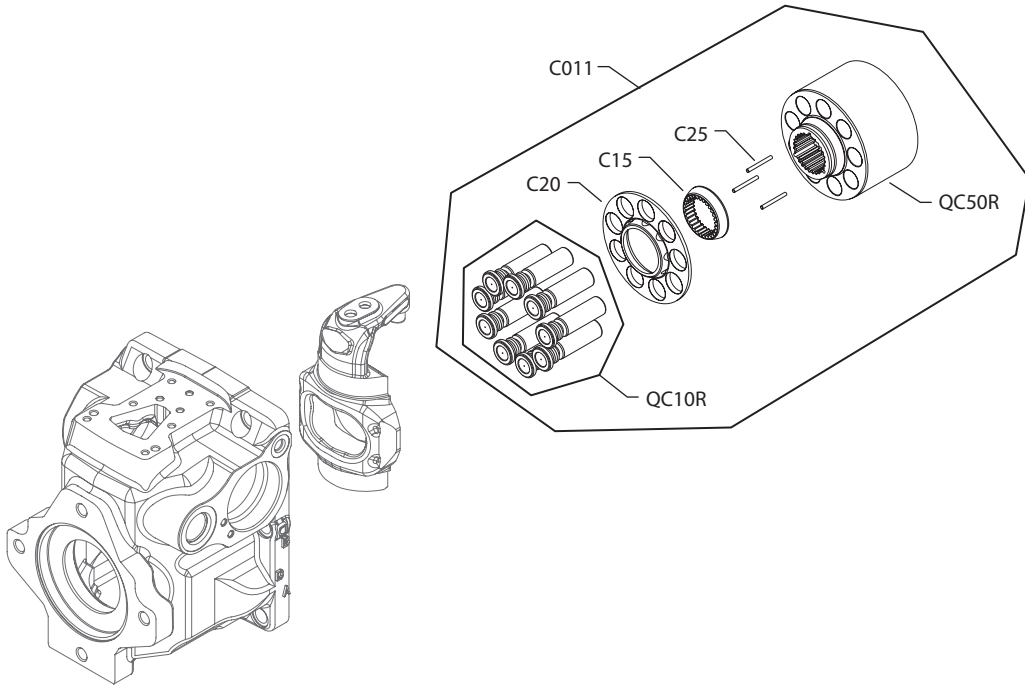
Special hardware, "R" rotation tandem pump

PN	C010	06-06		141631	Cylinder block kit, 45 cc	1
	C010	06-06		141632	Cylinder block kit, 53 cc	1
	C025	06-06		11071912	Valve plate kit, CCW	1
	C026	06-06		11071901	Valve plate kit, CW	1
	K008	06-06		9004201-6200	O-ring	4
	K009	06-06		9006110-0160	Back up ring	4
	K010	06-06		9004105-0160	O-ring	4
	M200	06-06		4800589	SCR plug assembly	1
	N200	06-06		4800589	SCR plug assembly	1
	P200	06-06		4800589	SCR plug assembly	1
	QC50	06-06		141553	Cylinder block assembly, 45 cc	1
	QC50	06-06		141554	Cylinder block assembly, 53 cc	1
	R200	06-06		4800589	SCR plug assembly	1



Variable displacement pump

(A, C & N)



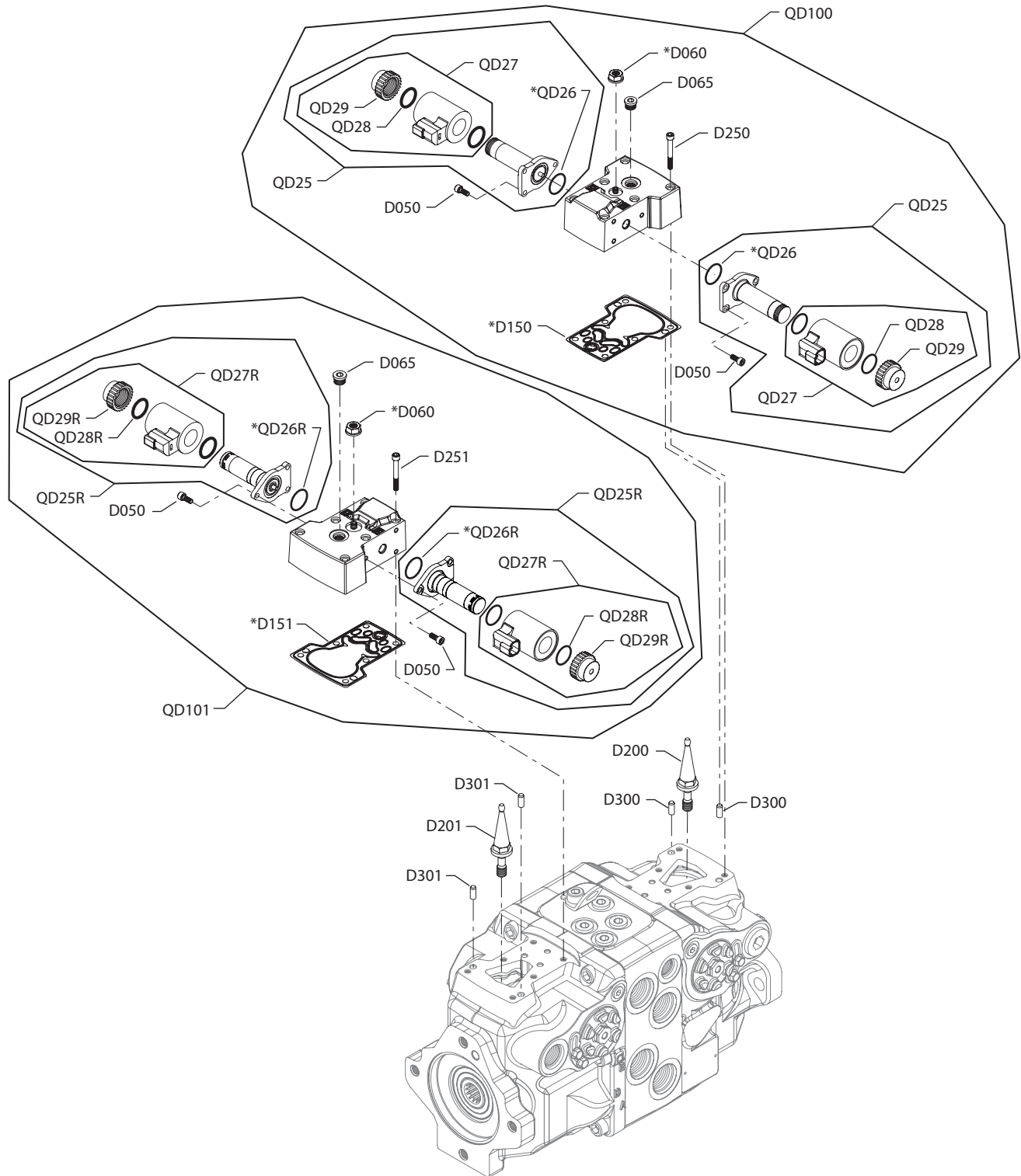

Variable displacement pump
Rear displacement

Order Code	Item	Date Begin	Date End	Part Number	Part Name	Qty. per Model/Kit
A	C011	06-06		141631	Cylinder block kit, 45 cc	1
(H1T053*)	C15	06-06		140625	Slipper retainer ball guide	1
	C20	06-06		141946	Slipper retainer	1
	C25	06-06		4700091	Slipper hold down pin	3
	QC10R	06-06		11020841	Slipper/piston kit, 45 cc	1
	QC50R	06-06		141553	Cylinder block assembly, 45 cc	1
C	C011	06-06		141632	Cylinder block kit, 53 cc	1
(H1T045*)	C15	06-06		140625	Slipper retainer ball guide	1
	C20	06-06		141946	Slipper retainer	1
	C25	06-06		4700091	Slipper hold down pin	3
	QC10R	06-06		11020932	Slipper/piston kit, 53 cc	1
	QC50R	06-06		141554	Cylinder block assembly, 53 cc	1
N	C011	06-06		141631	Cylinder block kit, 45 cc	1
(H1T045*)	C15	06-06		140625	Slipper retainer ball guide	1
	C20	06-06		141946	Slipper retainer	1
	C25	06-06		4700091	Slipper hold down pin	3
	QC10R	06-06		11020841	Slipper/piston kit, 45 cc	1
	QC50R	06-06		141553	Cylinder block assembly, 45 cc	1
N	C011	06-06		141632	Cylinder block kit, 53 cc	1
(H1T053*)	C15	06-06		140625	Slipper retainer ball guide	1
	C20	06-06		141946	Slipper retainer	1
	C25	06-06		4700091	Slipper hold down pin	3
	QC10R	06-06		11020932	Slipper/piston kit, 53 cc	1
	QC50R	06-06		141554	Cylinder block assembly, 53 cc	1



Variable displacement pump

(A2 & A3)



E100 748E

* = included in overhaul seal kit Q210

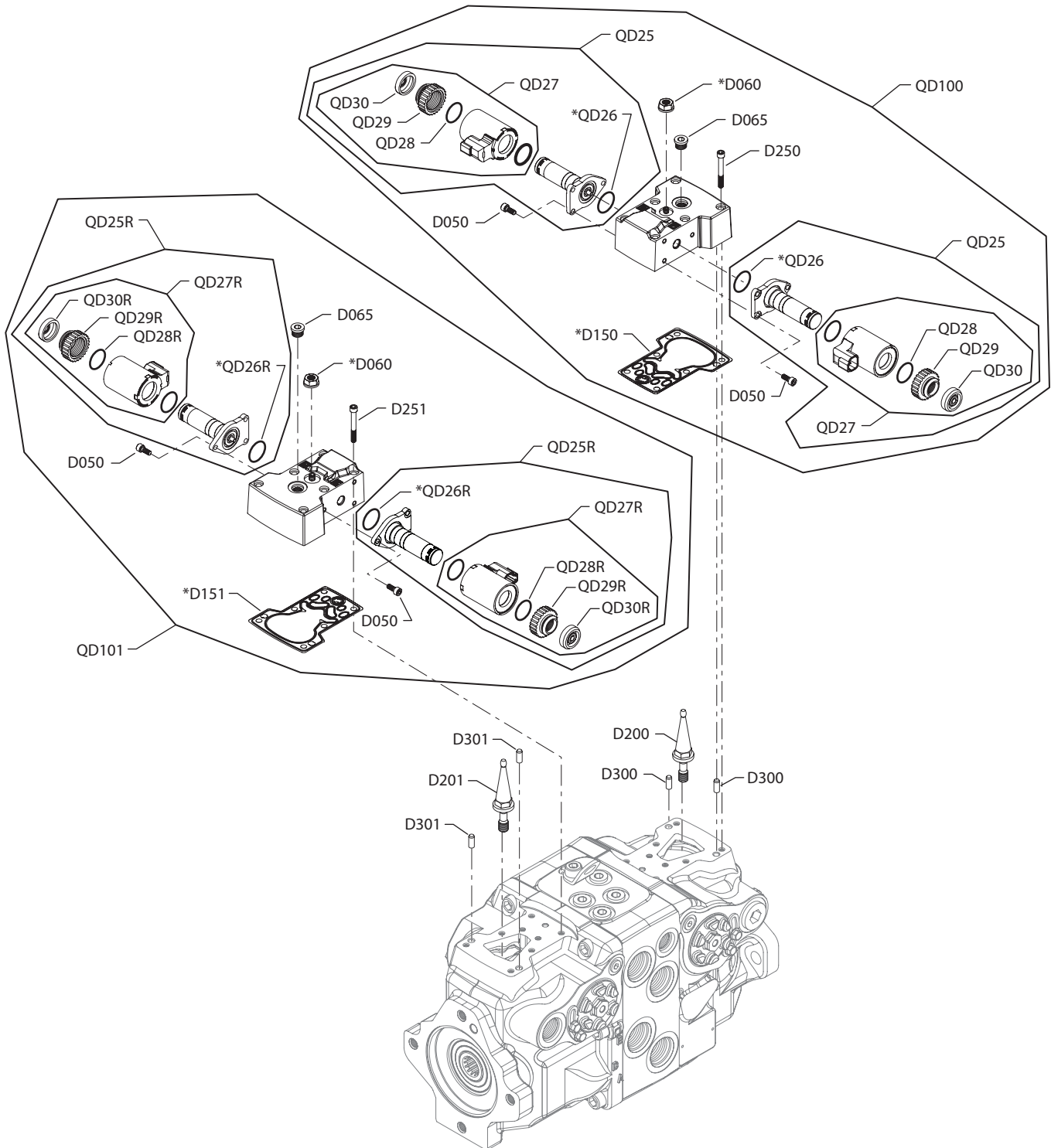

Variable displacement pump
Control

Order Code	Item	Date Begin	Date End	Part Number	Part Name	Qty. per Model/Kit	
A2	D050	06-06		716860	Screw, M5 x 12	12	
	D060	06-06		612291 (9003508-0008)	Seal nut	2	
	D065	06-06		327007	Plug assembly	2	
	D150	06-06		11173377	Control gasket	1	
	D151	06-06		11173377	Control gasket	1	
	D200	06-06		11202172	Swashplate feedback link	1	
	D201	06-06		11202172	Swashplate feedback link	1	
	D250	06-06		505038	Screw, M6 x 45	6	
	D251	06-06		505038	Screw, M6 x 45	6	
	D300	06-06		310979	Dowel pin	2	
	D301	06-06		310979	Dowel pin	2	
	QD25	06-06		11012457	Proportional solenoid, 12V	2	
	QD25R	06-06		11012457	Proportional solenoid, 12V	2	
	QD26	06-06		11001952	O-ring	2	
	QD26R	06-06		11001952	O-ring	2	
	QD27	06-06		11028018	Coil kit, 12V, Deutsch connector	2	
	QD27R	06-06		11028018	Coil kit, 12V, Deutsch connector	2	
	QD28	06-06		063172	O-ring	2	
	QD28R	06-06		063172	O-ring	2	
	QD29	06-06		11027046	Coil nut	2	
	QD29R	06-06		11027046	Coil nut	2	
	QD100	06-06		11019680	EDC kit, 12V, high gain spool	1	
	QD101	06-06		11019680	EDC kit, 12V, high gain spool	1	
	A3	D050	06-06		716860	Screw, M5 x 12	12
		D060	06-06		612291 (9003508-0008)	Seal nut	2
		D065	06-06		327007	Plug assembly	2
		D150	06-06		11173377	Control gasket	1
		D151	06-06		11173377	Control gasket	1
		D200	06-06		11202172	Swashplate feedback link	1
		D201	06-06		11202172	Swashplate feedback link	1
		D250	06-06		505038	Screw, M6 x 45	6
D251		06-06		505038	Screw, M6 x 45	6	
D300		06-06		310979	Dowel pin	2	
D301		06-06		310979	Dowel pin	2	
QD25		06-06		11012459	Proportional solenoid, 24V (SB-2007-033)	2	
QD25R		06-06		11012459	Proportional solenoid, 24V (SB-2007-033)	2	
QD26		06-06		11001952	O-ring	2	
QD26R		06-06		11001952	O-ring	2	
QD27		06-06		11028019	Coil kit, 24V, Deutsch connector (SB-2007-033)	2	
QD27R		06-06		11028019	Coil kit, 24V, Deutsch connector (SB-2007-033)	2	
QD28		06-06		063172	O-ring	2	
QD28R		06-06		063172	O-ring	2	
QD29		06-06		11027046	Coil nut	2	
QD29R		06-06		11027046	Coil nut	2	
QD100		06-06		11019681	EDC kit, 24V, high gain spool	1	
QD101		06-06		11019681	EDC kit, 24V, high gain spool	1	



Variable displacement pump

(A4)



E101 741E

* = included in overhaul seal kit Q210

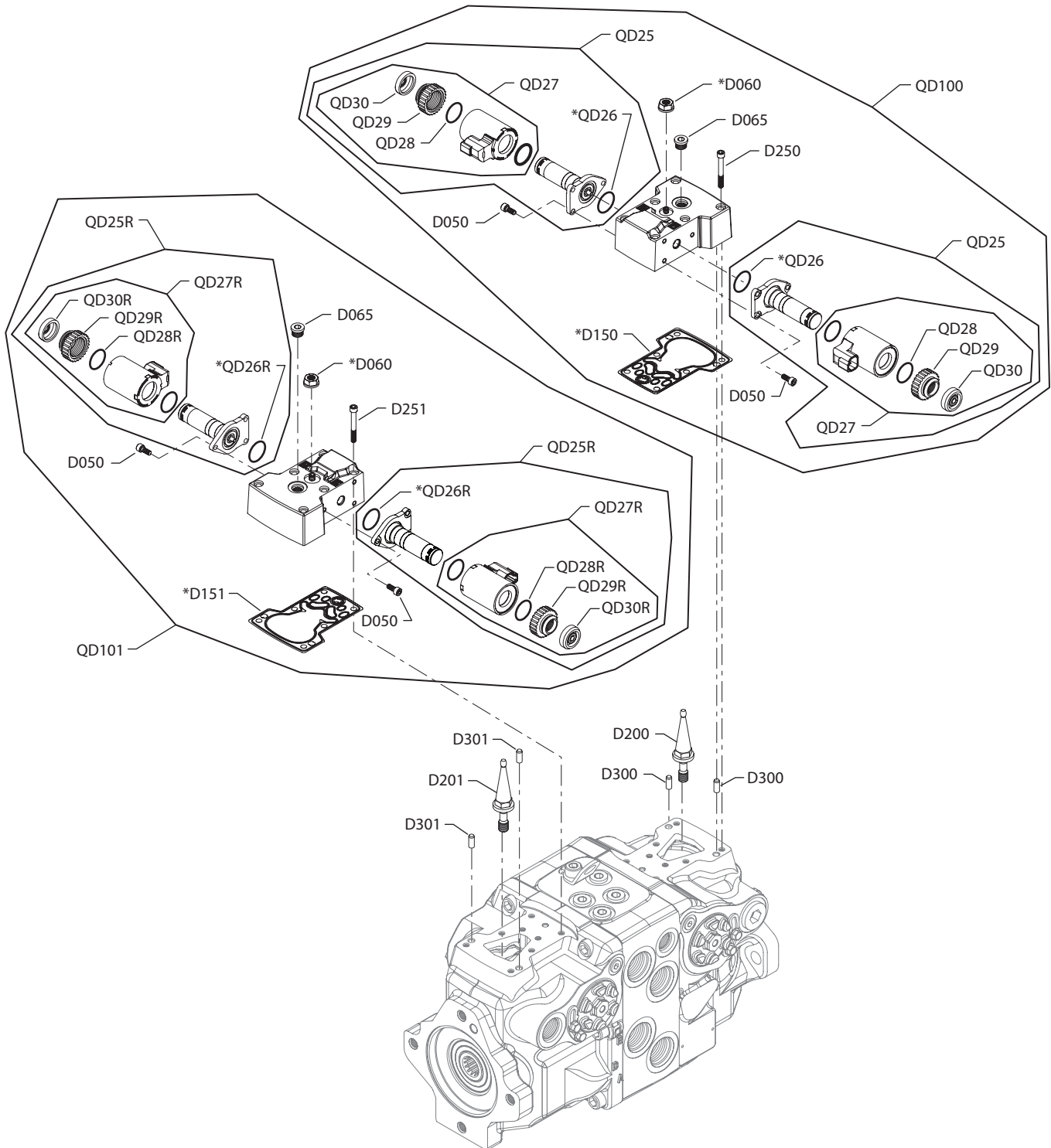

Variable displacement pump
Control

Order Code	Item	Date Begin	Date End	Part Number	Part Name	Qty. per Model/Kit
A4	D050	06-06		716860	Screw, M5 x 12	12
	D060	06-06		612291 (9003508-0008)	Seal nut	2
	D065	06-06		327007	Plug	2
	D150	06-06		11173377	Control gasket	1
	D151	06-06		11173377	Control gasket	1
	D200	06-06		11202172	Swashplate feedback link	1
	D201	06-06		11202172	Swashplate feedback link	1
	D250	06-06		505038	Screw, M6 x 45	6
	D251	06-06		505038	Screw, M6 x 45	6
	D300	06-06		310979	Dowel pin	2
	D301	06-06		310979	Dowel pin	2
	QD25	06-06		140750	Proportional solenoid, 12V, Deutsch connector	2
	QD25R	06-06		140750	Proportional solenoid, 12V, Deutsch connector	2
	QD26	06-06		11001952	O-ring	2
	QD26R	06-06		11001952	O-ring	2
	QD27	06-06		11004698	Coil kit, 12V, Deutsch connector	2
	QD27R	06-06		11004698	Coil kit, 12V, Deutsch connector	2
	QD28	06-06		063172	O-ring	2
	QD28R	06-06		063172	O-ring	2
	QD29	06-06		11004749	Coil nut	2
	QD29R	06-06		11004749	Coil nut	2
	QD30	06-06		11027883	Cap	2
	QD30R	06-06		11027883	Cap	2
	QD100	06-06		11019732	EDC kit, 12V, high gain spool, manual override	1
	QD101	06-06		11019732	EDC kit, 12V, high gain spool, manual override	1



Variable displacement pump

(A5)



E101 741E

* = included in overhaul seal kit Q210



Variable displacement pump

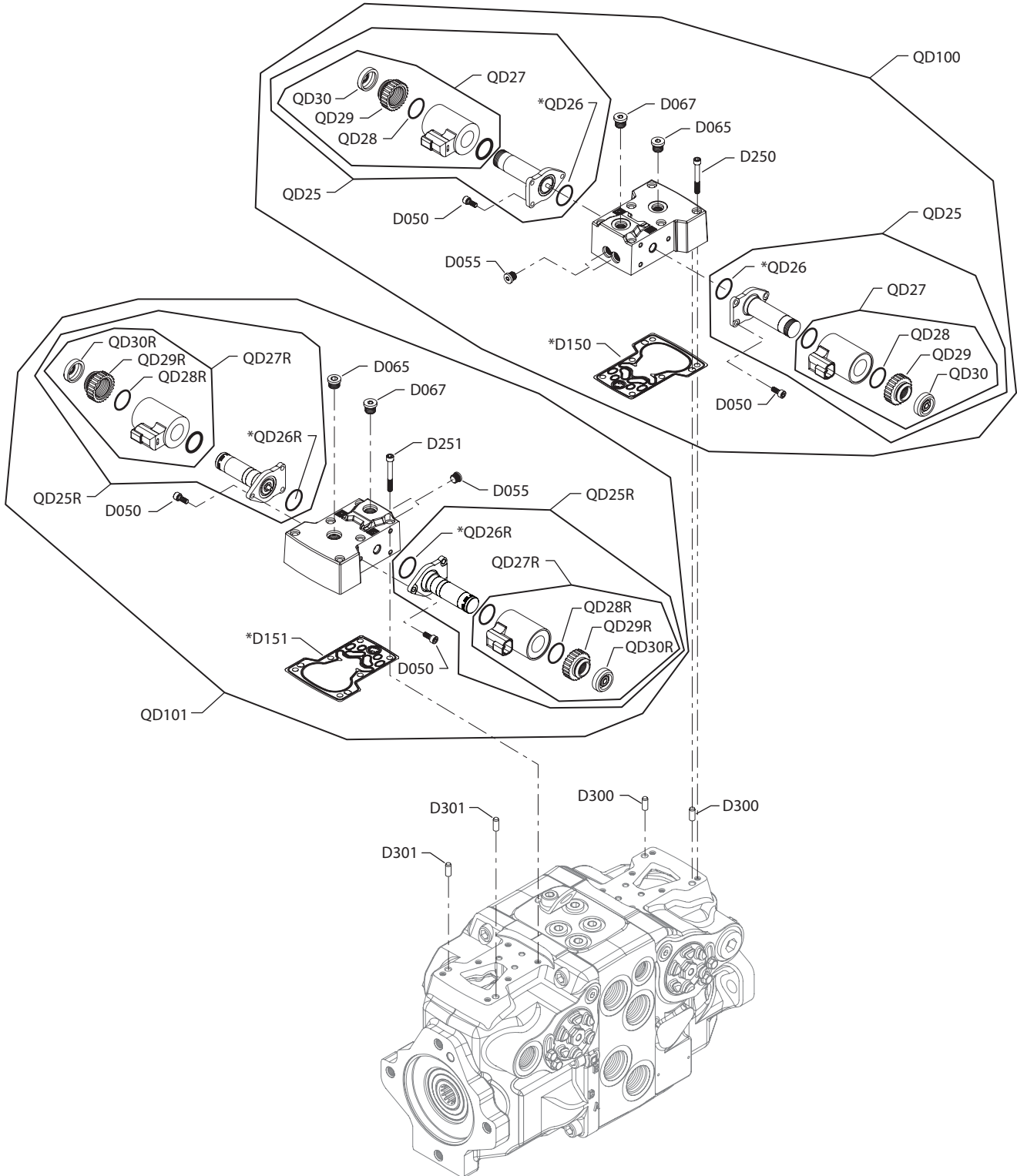
Control

Order Code	Item	Date Begin	Date End	Part Number	Part Name	Qty. per Model/Kit
A5	D050	06-06		716860	Screw, M5 x 12	12
	D060	06-06		612291 (9003508-0008)	Seal nut	2
	D065	06-06		327007	Plug assembly	2
	D065	06-06		5000572	Plug assembly, M12	2
	D150	06-06		11173377	Control gasket	1
	D151	06-06		11173377	Control gasket	1
	D200	06-06		11202172	Swashplate feedback link	1
	D201	06-06		11202172	Swashplate feedback link	1
	D250	06-06		505038	Screw, M6 x 45	6
	D251	06-06		505038	Screw, M6 x 45	6
	D300	06-06		310979	Dowel pin	2
	D301	06-06		310979	Dowel pin	2
	QD25	06-06		140751	Proportional solenoid, 24V, Deutsch connector	2
	QD25R	06-06		140751	Proportional solenoid, 24V, Deutsch connector	2
	QD26	06-06		11001952	O-ring	2
	QD26R	06-06		11001952	O-ring	2
	QD27	06-06		11004700	Coil kit, 24V, Deutsch connector	2
	QD27R	06-06		11004700	Coil kit, 24 V, Deutsch connector	2
	QD28	06-06		063172	O-ring	2
	QD28R	06-06		063172	O-ring	2
	QD29	06-06		11004749	Coil nut	2
	QD29R	06-06		11004749	Coil nut	2
	QD30	06-06		11027883	Cap	2
	QD30R	06-06		11027883	Cap	2
	QD100	06-06		11019733	EDC kit, 24V, high gain spool, manual override	1
	QD100	06-06		11170082	EDC kit, 24V, high gain spool, manual override (metric)	1
	QD101	06-06		11019733	EDC kit, 24V, high gain spool, manual override	1
	QD101	06-06		11170082	EDC kit, 24V, high gain spool, manual override (metric)	1



Variable displacement pump

(A8)



E101 979E

* = included in overhaul seal kit Q210

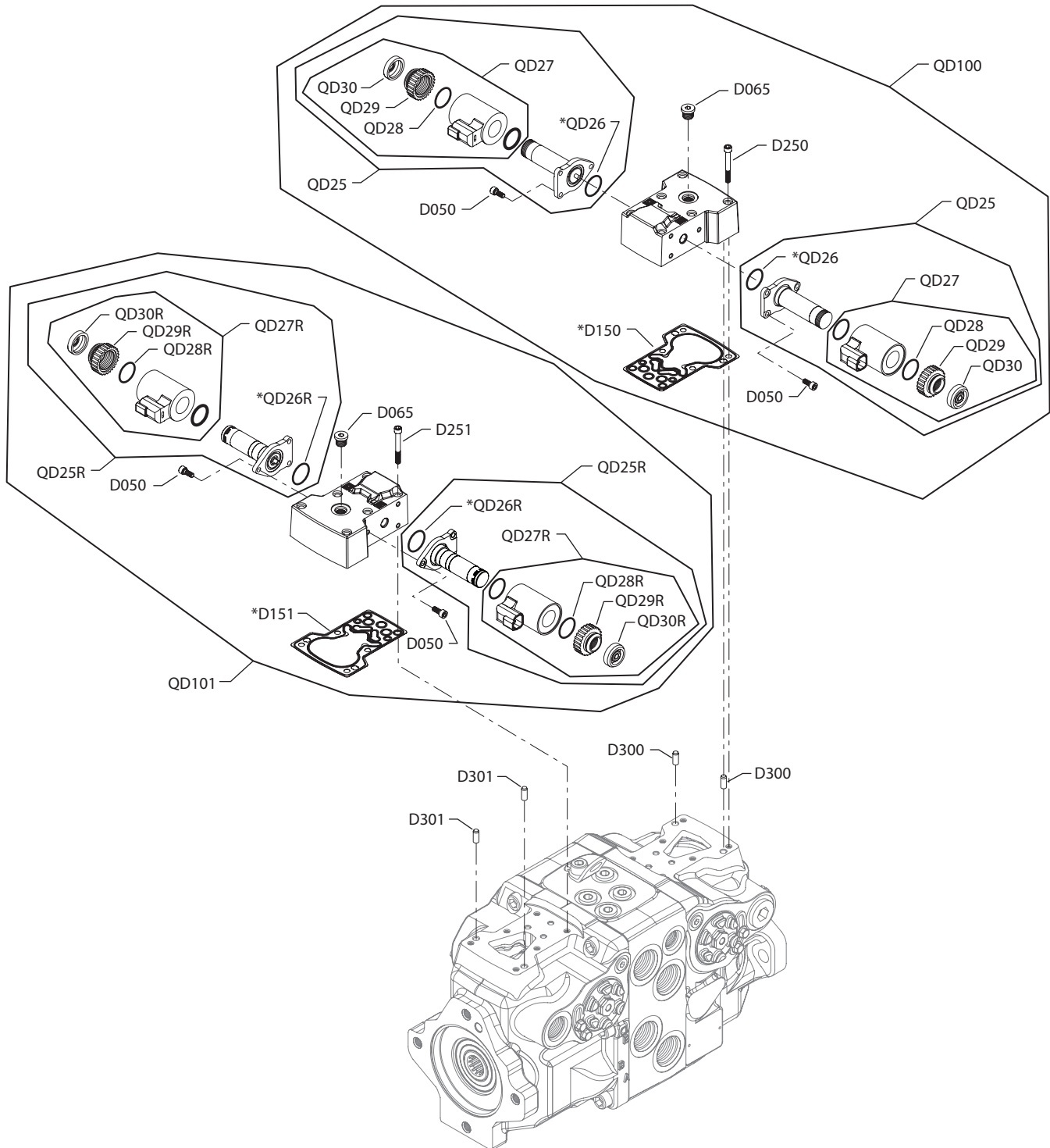

Variable displacement pump
Control

Order Code	Item	Date Begin	Date End	Part Number	Part Name	Qty. per Model/Kit
A8	D050	06-06		716860	Screw, M5 x 12	12
	D055	06-06		11040532	Plug assembly	4
	D065	06-06		327007	Plug assembly	2
	D067	06-06		327007	Plug assembly	2
	D150	06-06		11173377	Control gasket	1
	D151	06-06		11173377	Control gasket	1
	D250	06-06		505038	Screw, M6 x 45	6
	D251	06-06		505038	Screw, M6 x 45	6
	D300	06-06		310979	Dowel pin	2
	D301	06-06		310979	Dowel pin	2
	QD25	06-06		140750	Proportional solenoid, 12V, Deutsch connector	2
	QD25R	06-06		140750	Proportional solenoid, 12V, Deutsch connector	2
	QD26	06-06		11001952	O-ring	2
	QD26R	06-06		11001952	O-ring	2
	QD27	06-06		11004698	Coil kit, 12V, Deutsch connector	2
	QD27R	06-06		11004698	Coil kit, 12V, Deutsch connector	2
	QD28	06-06		063172	O-ring	2
	QD28R	06-06		063172	O-ring	2
	QD29	06-06		11004749	Coil nut	2
	QD29R	06-06		11004749	Coil nut	2
	QD30	06-06		11027883	Cap	2
	QD30R	06-06		11027883	Cap	2
	QD100	06-06		11015803	NFPE control kit, 12V, manual override, Deutsch conn.	1
	QD101	06-06		11015803	NFPE control kit, 12V, manual override, Deutsch conn.	1



Variable displacement pump

(A9 & B1)



E101 731E

* = included in overhaul seal kit Q210

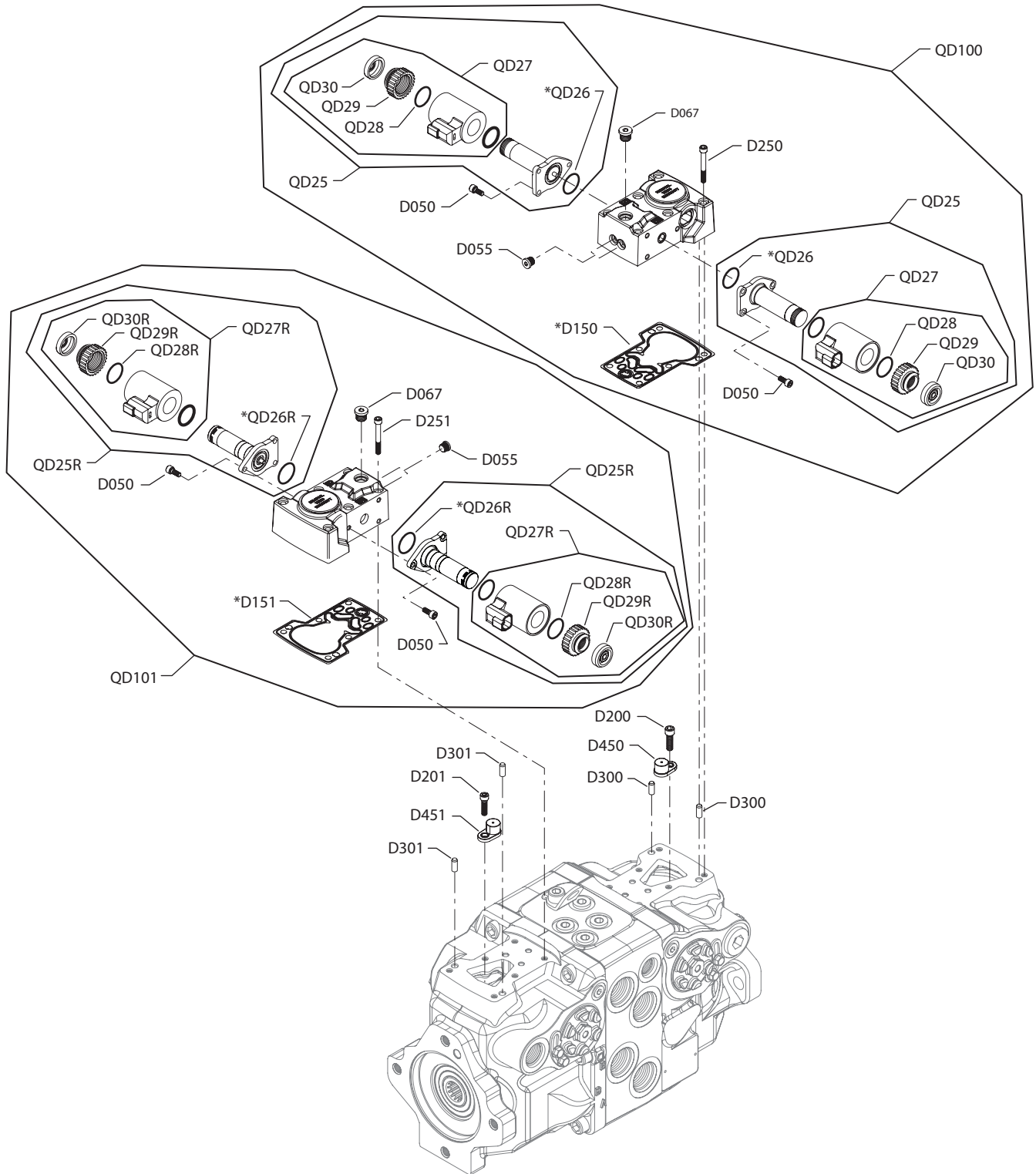

Variable displacement pump
Control

Order Code	Item	Date Begin	Date End	Part Number	Part Name	Qty. per Model/Kit	
A9	D050	06-06		716860	Screw, M5 x 12	12	
	D065	06-06		327007	Plug	2	
	D150	06-06		11173377	Control gasket	1	
	D151	06-06		11173377	Control gasket	1	
	D250	06-06		505038	Screw, M6 x 45	6	
	D251	06-06		505038	Screw, M6 x 45	6	
	D300	06-06		310979	Dowel pin	2	
	D301	06-06		310979	Dowel pin	2	
	QD25	06-06		141301	Proportional solenoid, 12V, Deutsch connector	2	
	QD25R	06-06		141301	Proportional solenoid, 12V, Deutsch connector	2	
	QD26	06-06		11001952	O-ring	2	
	QD26R	06-06		11001952	O-ring	2	
	QD27	06-06		11005222	Coil kit, 12V, Deutsch connector	2	
	QD27R	06-06		11005222	Coil kit, 12V, Deutsch connector	2	
	QD28	06-06		063172	O-ring	2	
	QD28R	06-06		063172	O-ring	2	
	QD29	06-06		11004749	Coil nut	2	
	QD29R	06-06		11004749	Coil nut	2	
	QD30	06-06		11027883	Cap	2	
	QD30R	06-06		11027883	Cap	2	
	QD100	06-06		11025905	FNR control kit, 12V, manual override, Deutsch conn.	1	
	QD101	06-06		11025905	FNR control kit, 12V, manual override, Deutsch conn.	1	
	B1	D050	06-06		716860	Screw, M5 x 12	12
		D065	06-06		327007	Plug	2
		D150	06-06		11173377	Control gasket	1
		D151	06-06		11173377	Control gasket	1
D250		06-06		505038	Screw, M6 x 45	6	
D251		06-06		505038	Screw, M6 x 45	6	
D300		06-06		310979	Dowel pin	2	
D301		06-06		310979	Dowel pin	2	
QD25		06-06		141313	Proportional solenoid, 24V, Deutsch connector	2	
QD25R		06-06		141313	Proportional solenoid, 24V, Deutsch connector	2	
QD26		06-06		11001952	O-ring	2	
QD26R		06-06		11001952	O-ring	2	
QD27		06-06		11005223	Coil kit, 24V, Deutsch connector	2	
QD27R		06-06		11005223	Coil kit, 24V, Deutsch connector	2	
QD28		06-06		063172	O-ring	2	
QD28R		06-06		063172	O-ring	2	
QD29		06-06		11004749	Coil nut	2	
QD29R		06-06		11004749	Coil nut	2	
QD30		06-06		11027883	Cap	2	
QD30R		06-06		11027883	Cap	2	
QD100		06-06		11025906	FNR control kit, 24V, manual override, Deutsch conn.	1	
QD101		06-06		11025906	FNR control kit, 24V, manual override, Deutsch conn.	1	



Variable displacement pump

(B5)



E101 980E

* = included in overhaul seal kit Q210

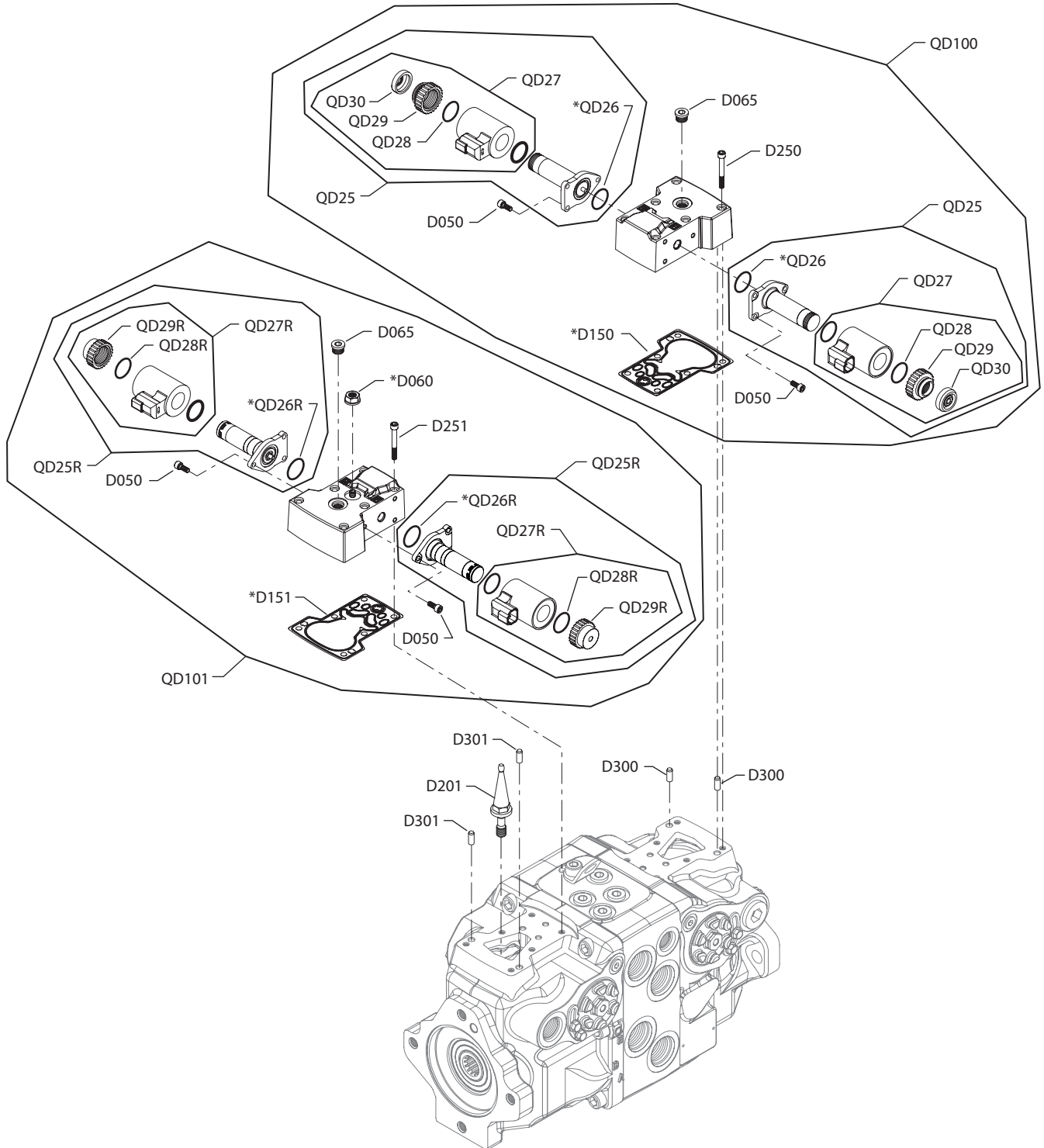

Variable displacement pump
Control

Order Code	Item	Date Begin	Date End	Part Number	Part Name	Qty. per Model/Kit
B5	D050	06-06		716860	Screw, M5 x 12	12
	D055	06-06		11040532	Plug assembly	4
	D067	06-06		327007	Plug assembly	2
	D150	06-06		11173377	Control gasket	1
	D151	06-06		11173377	Control gasket	1
	D200	06-06		141472	Screw, special	1
	D201	06-06		141472	Screw, special	1
	D250	06-06		505038	Screw, M6 x 45	6
	D251	06-06		505038	Screw, M6 x 45	6
	D300	06-06		310979	Dowel pin	2
	D301	06-06		310979	Dowel pin	2
	D450	06-06		11003097	Magnet carrier	1
	D451	06-06		11003097	Magnet carrier	1
	QD25	06-06		140750	Proportional solenoid, 12 volt	2
	QD25R	06-06		140750	Proportional solenoid, 12 volt	2
	QD26	06-06		11001952	O-ring	2
	QD26R	06-06		11001952	O-ring	2
	QD27	06-06		11004698	Coil kit, 12V, Deutsch connector	2
	QD27R	06-06		11004698	Coil kit, 12V, Deutsch connector	2
	QD28	06-06		063172	O-ring	2
	QD28R	06-06		063172	O-ring	2
	QD29	06-06		11004749	Coil nut	2
	QD29R	06-06		11004749	Coil nut	2
	QD30	06-06		11027883	Cap	2
	QD30R	06-06		11027883	Cap	2
	QD100	06-06		11050138	NFPE control kit, 12V, manual override	1
	QD101	06-06		11050138	NFPE control kit, 12V, manual override	1



Variable displacement pump

(B6)



E101 732E

* = included in overhaul seal kit Q210

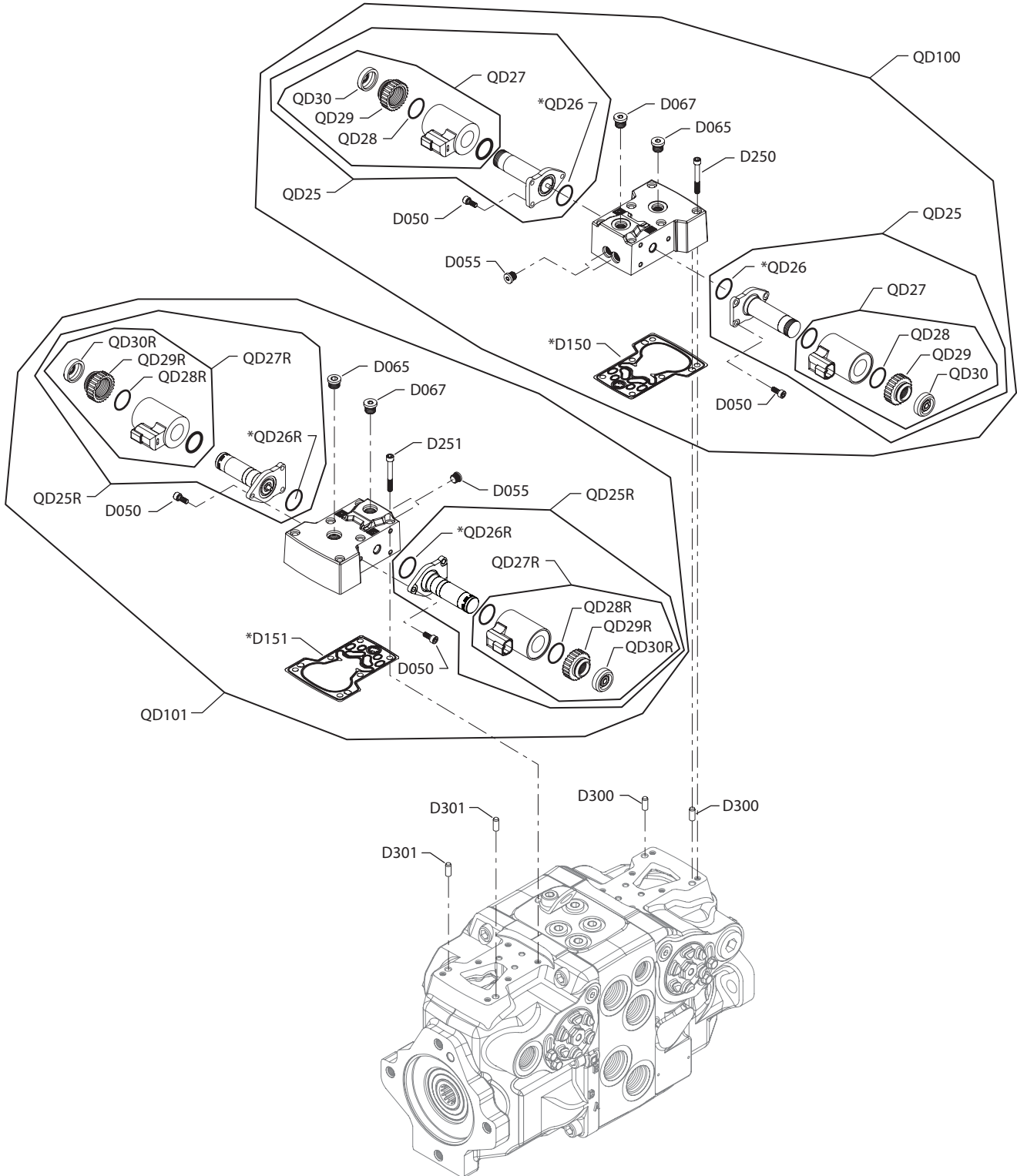

Variable displacement pump
Control

Order Code	Item	Date Begin	Date End	Part Number	Part Name	Qty. per Model/Kit
B6	D050	06-06		716860	Screw, M5 x 12	12
	D060	06-06		612291 (9003508-0008)	Seal nut	1
	D065	06-06		327007	Plug assembly	2
	D150	06-06		11173377	Control gasket	1
	D151	06-06		11173377	Control gasket	1
	D201	06-06		11202172	Swashplate feedback link	1
	D250	06-06		505038	Screw, M6 x 45	6
	D251	06-06		505038	Screw, M6 x 45	6
	D300	06-06		310979	Dowel pin	2
	D301	06-06		310979	Dowel pin	2
	QD25	06-06		141301	Proportional solenoid, 12V, Deutsch connector, MOR	2
	QD25R	06-06		11012457	Proportional solenoid, 12V, Deutsch connector	2
	QD26	06-06		11001952	O-ring	2
	QD26R	06-06		11001952	O-ring	2
	QD27	06-06		11005222	Coil kit, 12V, Deutsch connector	2
	QD27R	06-06		11028018	Coil kit, 12V, Deutsch connector	2
	QD28	06-06		063172	O-ring	2
	QD28R	06-06		063172	O-ring	2
	QD29	06-06		11004749	Coil nut	2
	QD29R	06-06		11027046	Coil nut	2
	QD30	06-06		11027883	Cap	2
	QD100	06-06		11025905	FNR control kit, 12V, manual override, Deutsch conn.	1
	QD101	06-06		11019680	EDC kit, 12V, high gain spool	1



Variable displacement pump

(B8)



E101 979E

* = included in overhaul seal kit Q210



Variable displacement pump

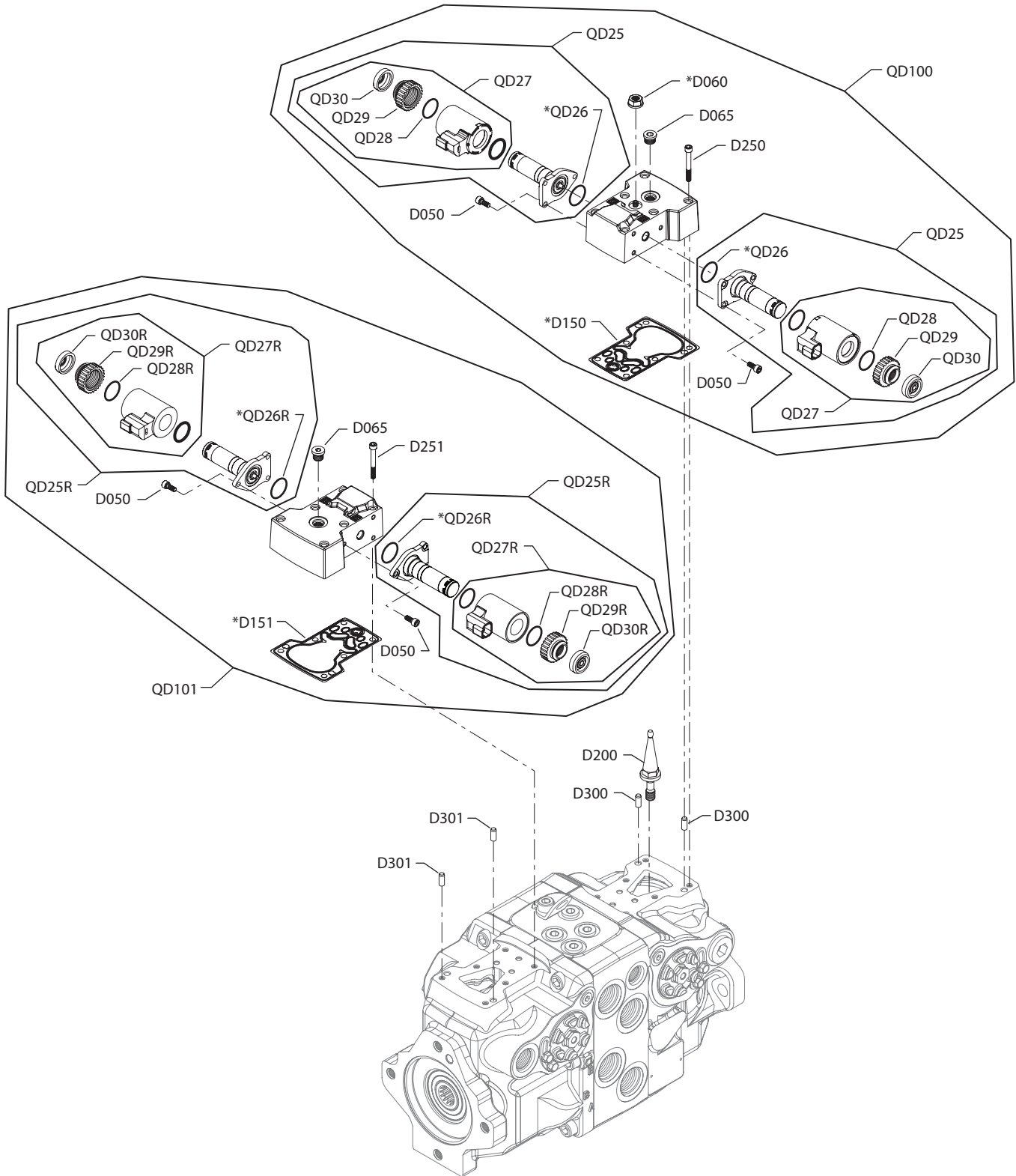
Control

Order Code	Item	Date Begin	Date End	Part Number	Part Name	Qty. per Model/Kit
B8	D050	09-11		716860	Screw, M5 x 12	12
	D055	09-11		11040532	Plug assembly	4
	D065	09-11		327007	Plug assembly	2
	D067	09-11		327007	Plug assembly	2
	D150	09-11		11173377	Control gasket	1
	D151	09-11		11173377	Control gasket	1
	D250	09-11		505038	Screw, M6 x 45	6
	D251	09-11		505038	Screw, M6 x 45	6
	D300	09-11		310979	Dowel pin	2
	D301	09-11		310979	Dowel pin	2
	QD25	09-11		140751	Proportional solenoid, 24V, Deutsch connector	2
	QD25R	09-11		140751	Proportional solenoid, 24V, Deutsch connector	2
	QD26	09-11		11001952	O-ring	2
	QD26R	09-11		11001952	O-ring	2
	QD27	09-11		11004700	Coil kit, 24V, Deutsch connector	2
	QD27R	09-11		11004700	Coil kit, 24V, Deutsch connector	2
	QD28	09-11		063172	O-ring	2
	QD28R	09-11		063172	O-ring	2
	QD29	09-11		11004749	Coil nut	2
	QD29R	09-11		11004749	Coil nut	2
	QD30	09-11		11027883	Cap	2
	QD30R	09-11		11027883	Cap	2
	QD100	09-11		11025904	NFPE control kit, 24V, manual override, Deutsch conn.	1
	QD101	09-11		11025904	NFPE control kit, 24V, manual override, Deutsch conn.	1



Variable displacement pump

(D7)



E103 400E

* = included in overhaul seal kit Q210

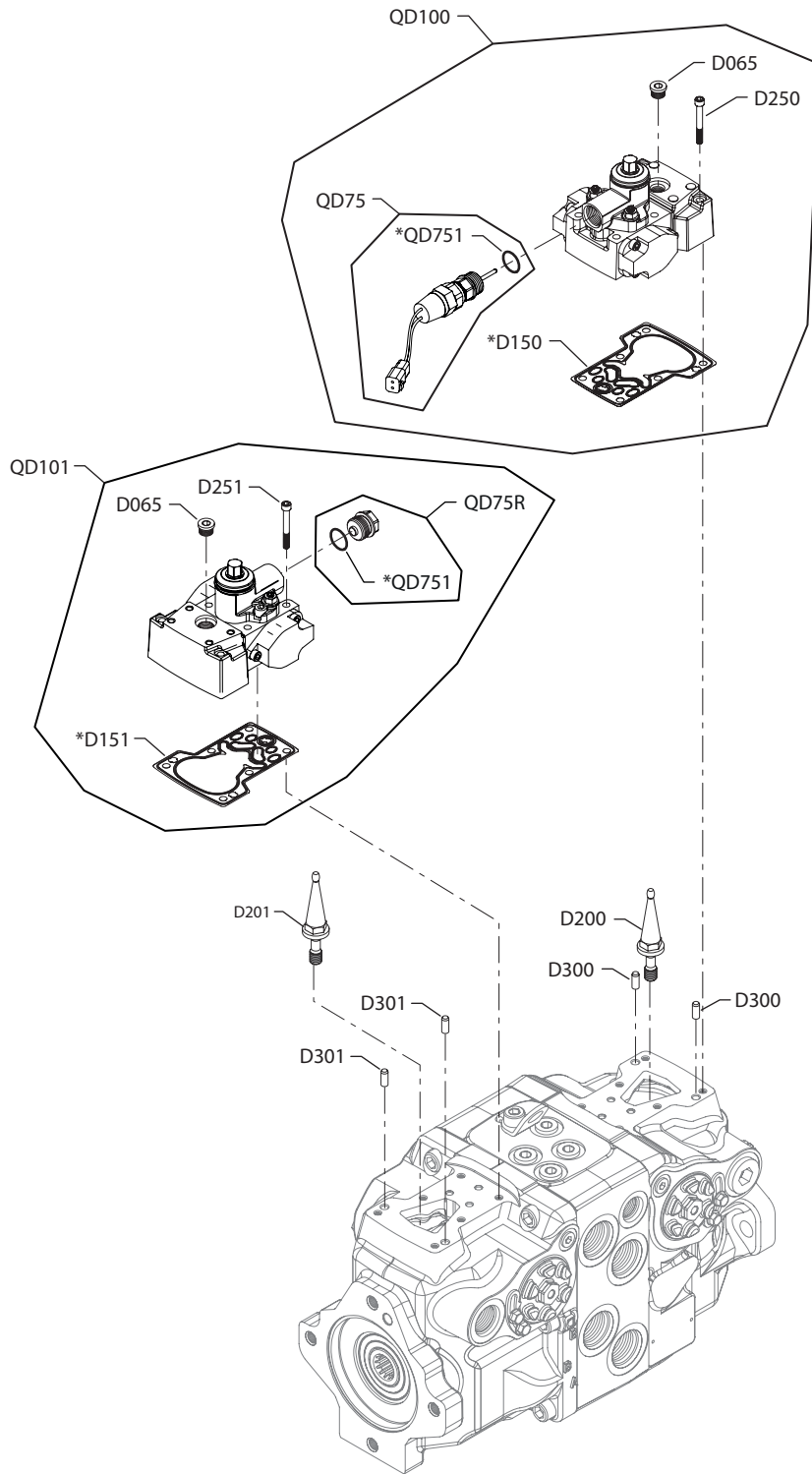

Variable displacement pump
Control

Order Code	Item	Date Begin	Date End	Part Number	Part Name	Qty. per Model/Kit
D7	D050	14-31		716860	Screw, M5 x 12	12
	D060	14-31		612291	Seal nut	1
	D065	14-31		327007	Plug assembly	2
	D150	14-31		11173377	Control gasket	1
	D151	14-31		11173377	Control gasket	1
	D200	14-31		11202172	Swashplate feedback link	1
	D250	14-31		505038	Screw, M6 x 45	6
	D251	14-31		505038	Screw, M6 x 45	6
	D300	14-31		310979	Dowel pin	2
	D301	14-31		310979	Dowel pin	2
	QD25	14-31		140750	Proportional solenoid, 12V, manual override, Deutsch	2
	QD25R	14-31		141301	Proportional solenoid, 12V, Deutsch connector	2
	QD26	14-31		11001952	O-ring	2
	QD26R	14-31		11001952	O-ring	2
	QD27	14-31		11004698	Coil kit, 12V, manual override, Deutsch	2
	QD27R	14-31		11005222	Coil kit, 12V, Deutsch connector	2
	QD28	14-31		063172	O-ring	2
	QD28R	14-31		063172	O-ring	2
	QD29	14-31		11004749	Coil nut	2
	QD29R	14-31		11004749	Coil nut	2
	QD30	14-31		11027883	Cap	2
	QD30R	14-31		11027883	Cap	2
	QD100	14-31		11019732	EDC kit, 12V, manual override, Deutsch conn.	1
	QD101	14-31		11025905	FNR control kit, 12V, manual override, Deutsch conn.	1



Variable displacement pump

(D9)



E103 401E

* = included in overhaul seal kit Q210

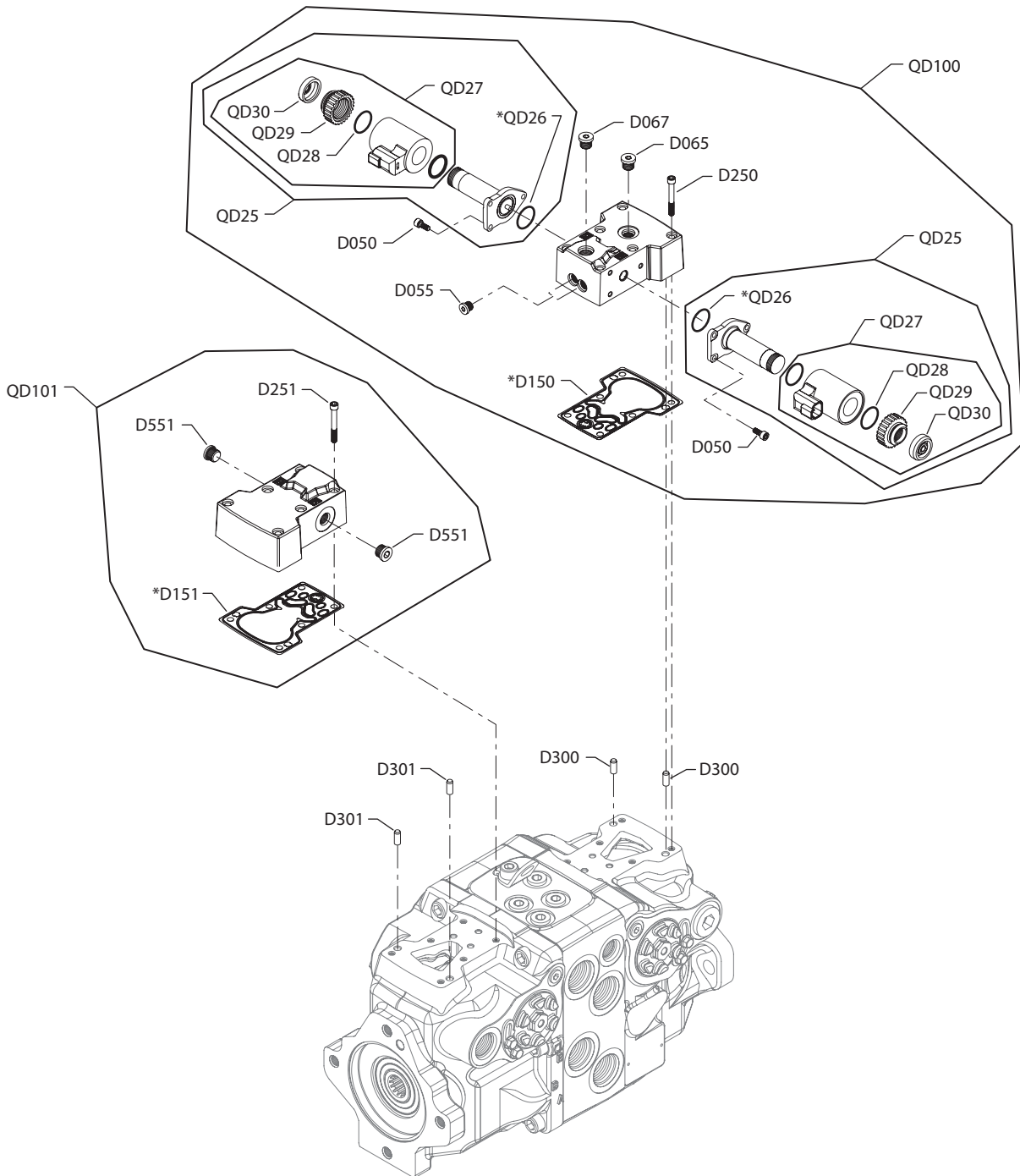

Variable displacement pump
Control

Order Code	Item	Date Begin	Date End	Part Number	Part Name	Qty. per Model/Kit
D9	D065	14-31		327007	Plug assembly	2
	D150	14-31		11173377	Control gasket	1
	D151	14-31		11173377	Control gasket	1
	D200	14-31		11202172	Swashplate feedback link	1
	D201	14-31		11202172	Swashplate feedback link	1
	D250	14-31		505038	Screw, M6 x 45	6
	D251	14-31		505038	Screw, M6 x 45	6
	D300	14-31		310979	Dowel pin	2
	D301	14-31		310979	Dowel pin	2
	QD75	14-31		11126847	Spring seat assembly, neutral start switch	1
	QD75R	14-31		11119332	Spring seat assembly	1
	QD100	14-31		11141236	MDC kit, neutral start switch	1
	QD101	14-31		11141225	MDC kit	1
	QD751	14-31		001131 (9004201-5000)	O-ring	2



Variable displacement pump

(E1)



E103 402E

* = included in overhaul seal kit Q210

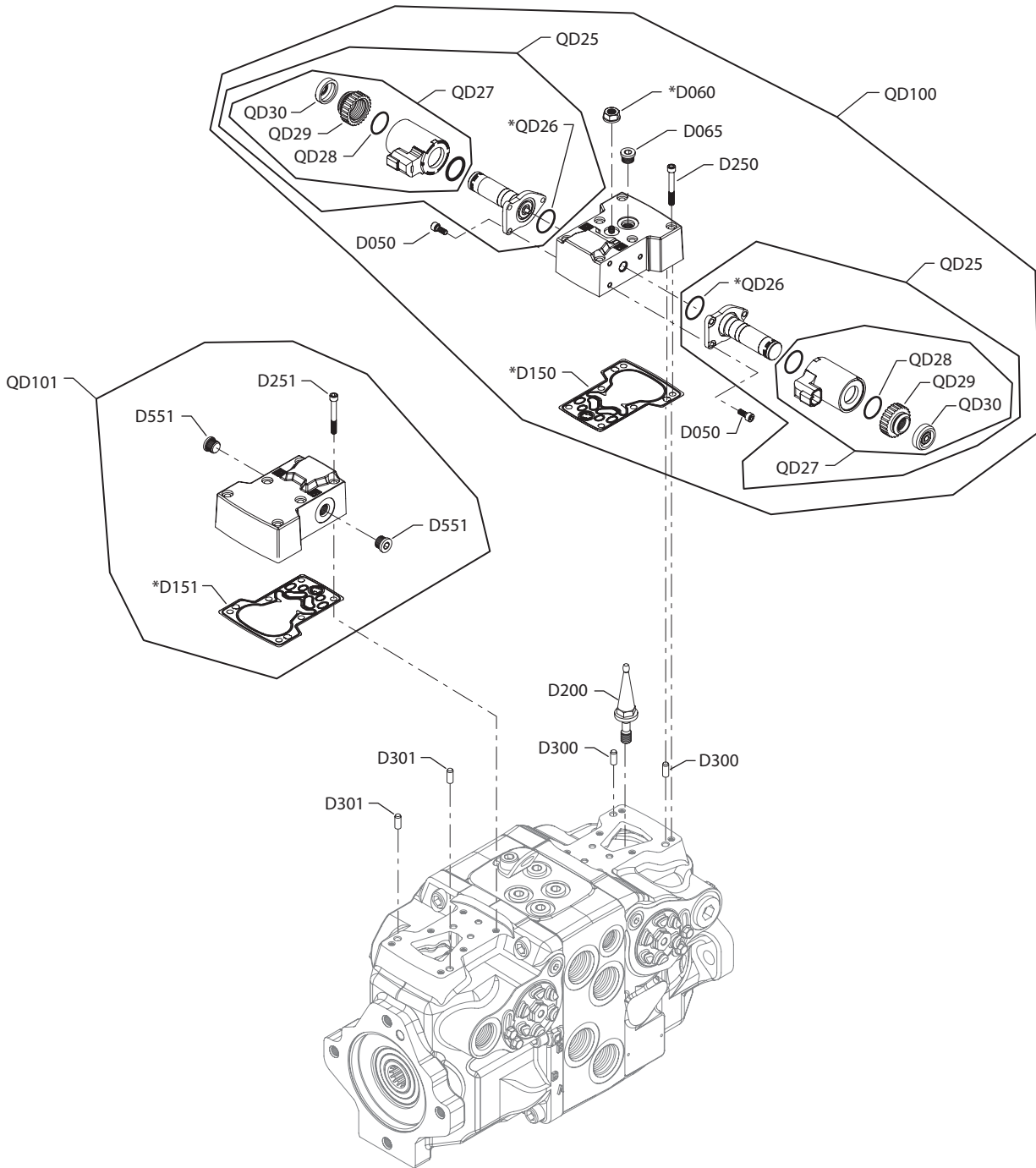

Variable displacement pump
Control

Order Code	Item	Date Begin	Date End	Part Number	Part Name	Qty. per Model/Kit
E1	D050	14-31		716860	Screw, M5 x 12	6
	D055	14-31		11040532	Plug assembly	2
	D065	14-31		327007	Plug assembly	1
	D067	14-31		327007	Plug assembly	1
	D150	14-31		11173377	Control gasket	1
	D151	14-31		11173377	Control gasket	1
	D250	14-31		505038	Screw, M6 x 45	6
	D251	14-31		505038	Screw, M6 x 45	6
	D300	14-31		310979	Dowel pin	2
	D301	14-31		310979	Dowel pin	2
	D551	14-31		140644	Plug assembly	2
	QD25	14-31		140750	Proportional solenoid, 12V, Deutsch connector	2
	QD26	14-31		11001952	O-ring	2
	QD27	14-31		11004698	Coil kit, 12V, Deutsch connector	2
	QD28	14-31		063172	O-ring	2
	QD29	14-31		11004749	Coil nut	2
	QD30	14-31		11027883	Cap	2
	QD100	14-31		11015803	NFPE control kit, 12V, manual override, Deutsch conn.	1
	QD101	14-31		11109588	Remote servo supply kit	1



Variable displacement pump

(G1)



E103 403E

* = included in overhaul seal kit Q210

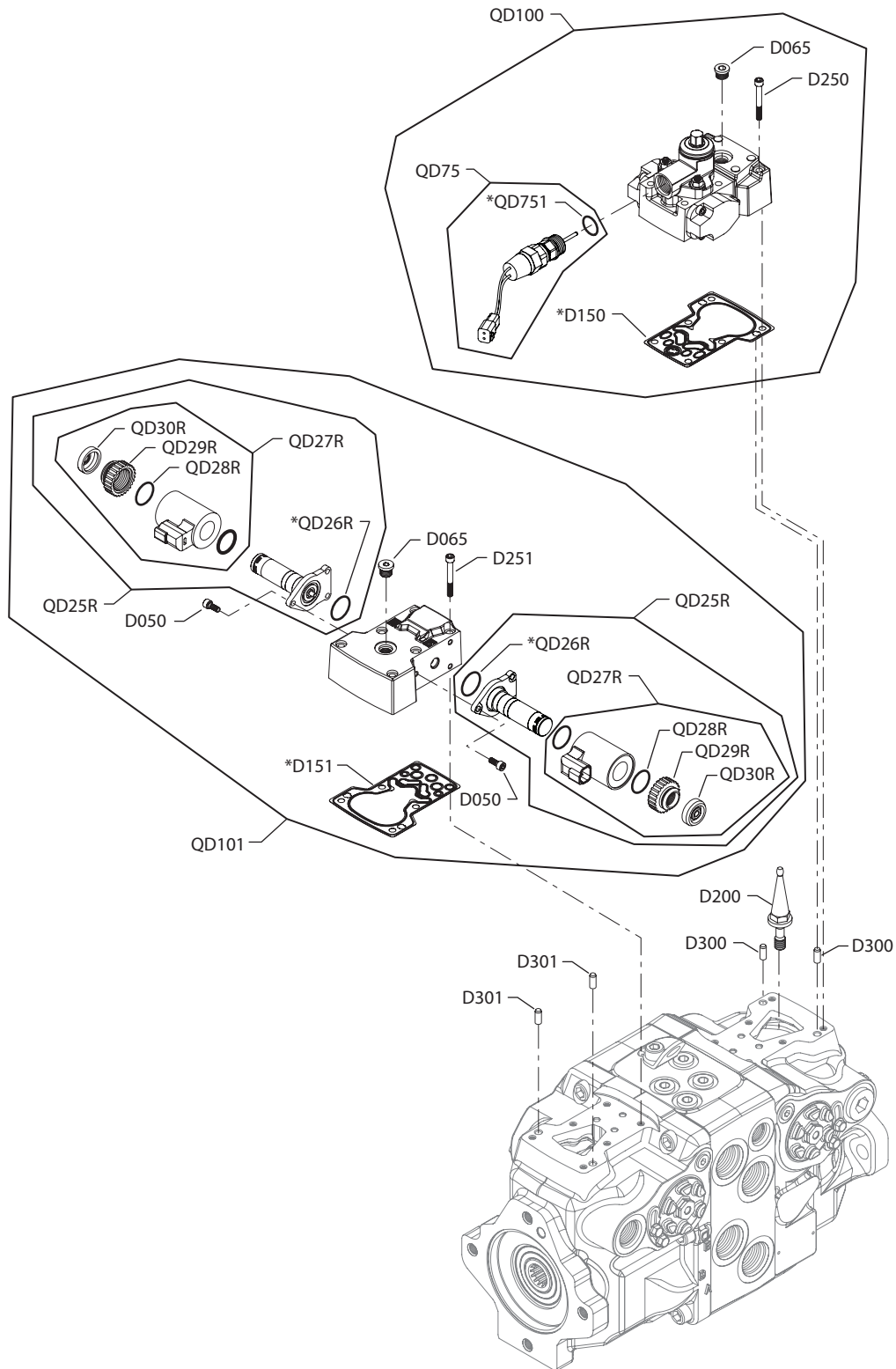

Variable displacement pump
Control

Order Code	Item	Date Begin	Date End	Part Number	Part Name	Qty. per Model/Kit
G1	D050	14-31		716860	Screw, M5 x 12	6
	D065	14-31		327007	Plug assembly	1
	D067	14-31		327007	Plug assembly	1
	D150	14-31		11173377	Control gasket	1
	D151	14-31		11173377	Control gasket	1
	D200	14-31		11202172	Swashplate feedback link	1
	D250	14-31		505038	Screw, M6 x 45	6
	D251	14-31		505038	Screw, M6 x 45	6
	D300	14-31		310979	Dowel pin	2
	D301	14-31		310979	Dowel pin	2
	D551	14-31		140644	Plug assembly	2
	QD25	14-31		140751	Proportional solenoid, 24V, Deutsch connector	2
	QD26	14-31		11001952	O-ring	2
	QD27	14-31		11004700	Coil kit, 24V, Deutsch connector	2
	QD28	14-31		063172	O-ring	2
	QD29	14-31		11004749	Coil nut	2
	QD30	14-31		11027883	Cap	2
	QD100	14-31		11019733	EDC kit, 24V, manual override, Deutsch conn.	1
	QD101	14-31		11109588	Remote servo supply kit	1



Variable displacement pump

(H4)



E103 615E

* = included in overhaul seal kit Q210

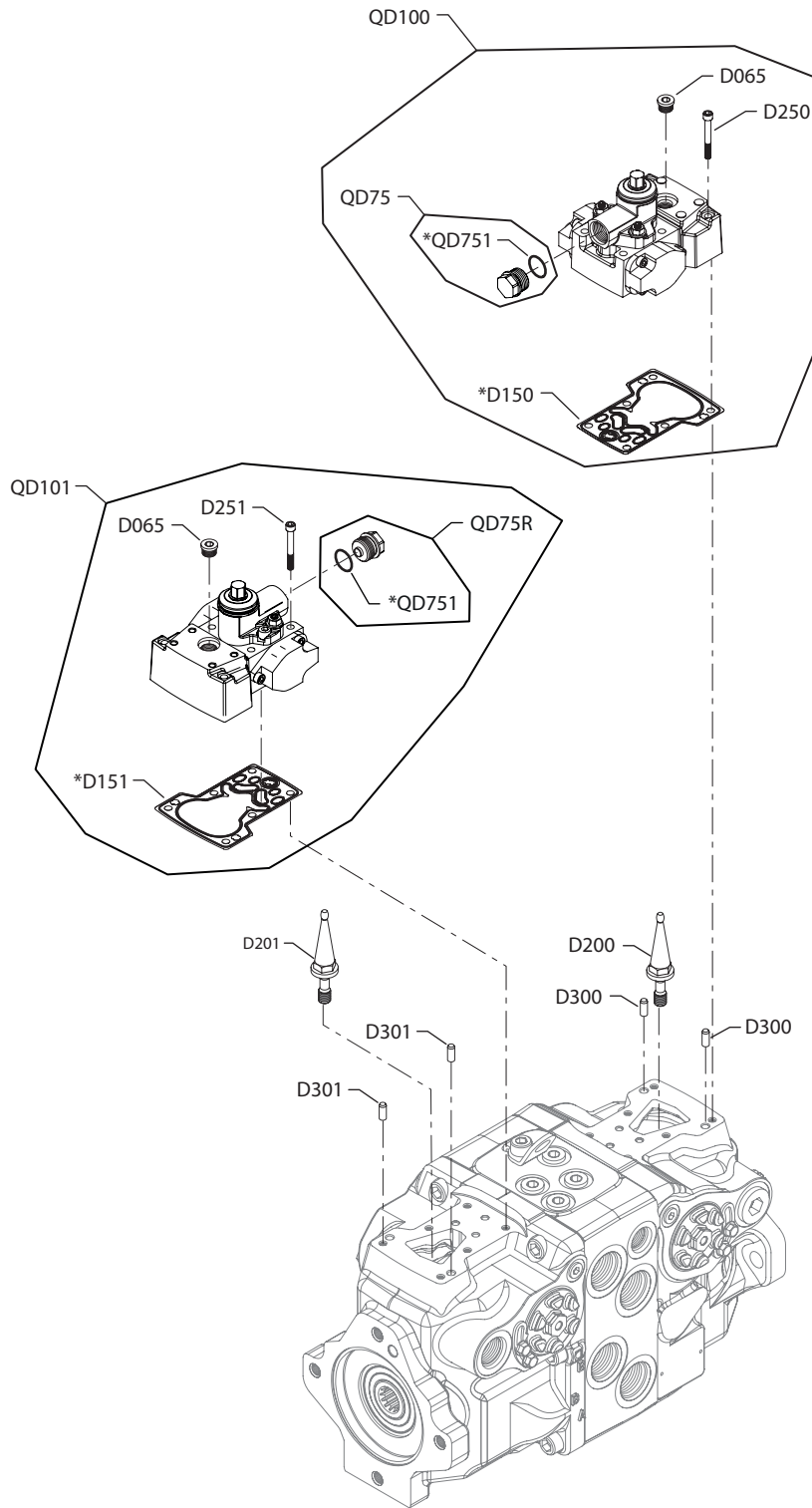

Variable displacement pump
Control

Order Code	Item	Date Begin	Date End	Part Number	Part Name	Qty. per Model/Kit
H4	D050	16-20		716860	Screw, M5 x 12	6
	D065	16-20		327007	Plug assembly	2
	D150	16-20		11173377	Control gasket	1
	D151	16-20		11173377	Control gasket	1
	D200	16-20		11202172	Swashplate feedback link	1
	D250	16-20		505038	Screw, M6 x 45	6
	D251	16-20		505038	Screw, M6 x 45	6
	D300	16-20		310979	Dowel pin	2
	D301	16-20		310979	Dowel pin	2
	QD25R	16-20		141301	Solenoid, 12V	2
	QD26R	16-20		11001952	O-ring	2
	QD27R	16-20		11005222	Coil kit, 12V, Deutsch connector	2
	QD28R	16-20		063172	O-ring	2
	QD29R	16-20		11004749	Coil nut	2
	QD30R	16-20		11027883	Cap	2
	QD75	16-20		11126847	Spring seat kit	1
	QD751	16-20		9004201-5000	O-ring	1
	QD100	16-20		11141236	MDC kit, 12V	1
	QD101	16-20		11025905	FNR kit, 12V	1



Variable displacement pump

(M1)



E103 404E

* = included in overhaul seal kit Q210

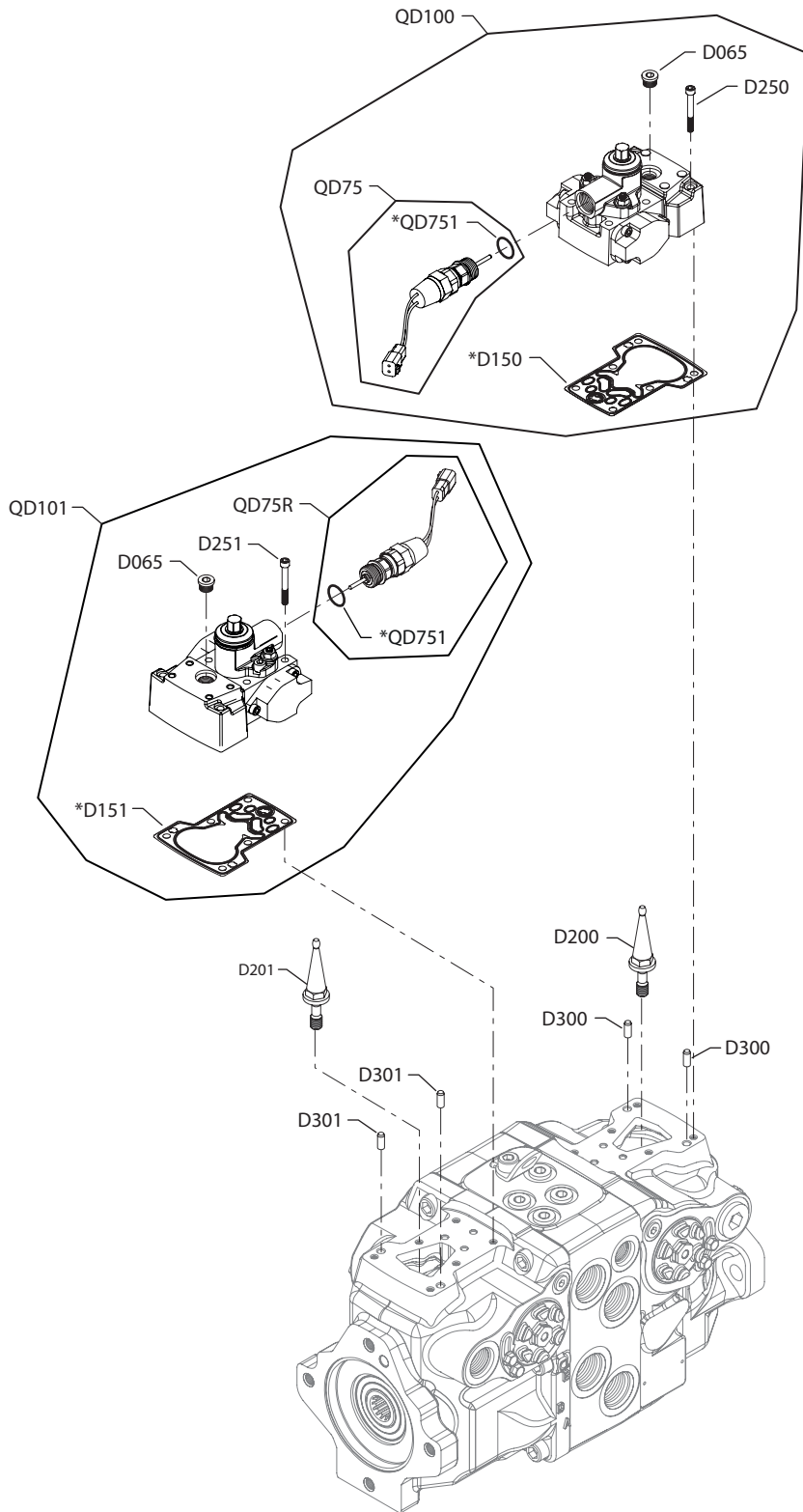

Variable displacement pump
Control

Order Code	Item	Date Begin	Date End	Part Number	Part Name	Qty. per Model/Kit
M1	D065	13-25		327007	Plug assembly	2
	D150	13-25		11173377	Control gasket	1
	D151	13-25		11173377	Control gasket	1
	D200	13-25		11202172	Swashplate feedback link	1
	D201	13-25		11202172	Swashplate feedback link	1
	D250	13-25		505038	Screw, M6 x 45	6
	D251	13-25		505038	Screw, M6 x 45	6
	D300	13-25		310979	Dowel pin	2
	D301	13-25		310979	Dowel pin	2
	QD75	13-25		11119332	Spring seat assembly	1
	QD75R	13-25		11119332	Spring seat assembly	1
	QD100	13-25		11141225	MDC kit	1
	QD101	13-25		11141225	MDC kit	1
	QD751	13-25		001131 (9004201-5000)	O-ring	2



Variable displacement pump

(M2)



E103 405E

* = included in overhaul seal kit Q210

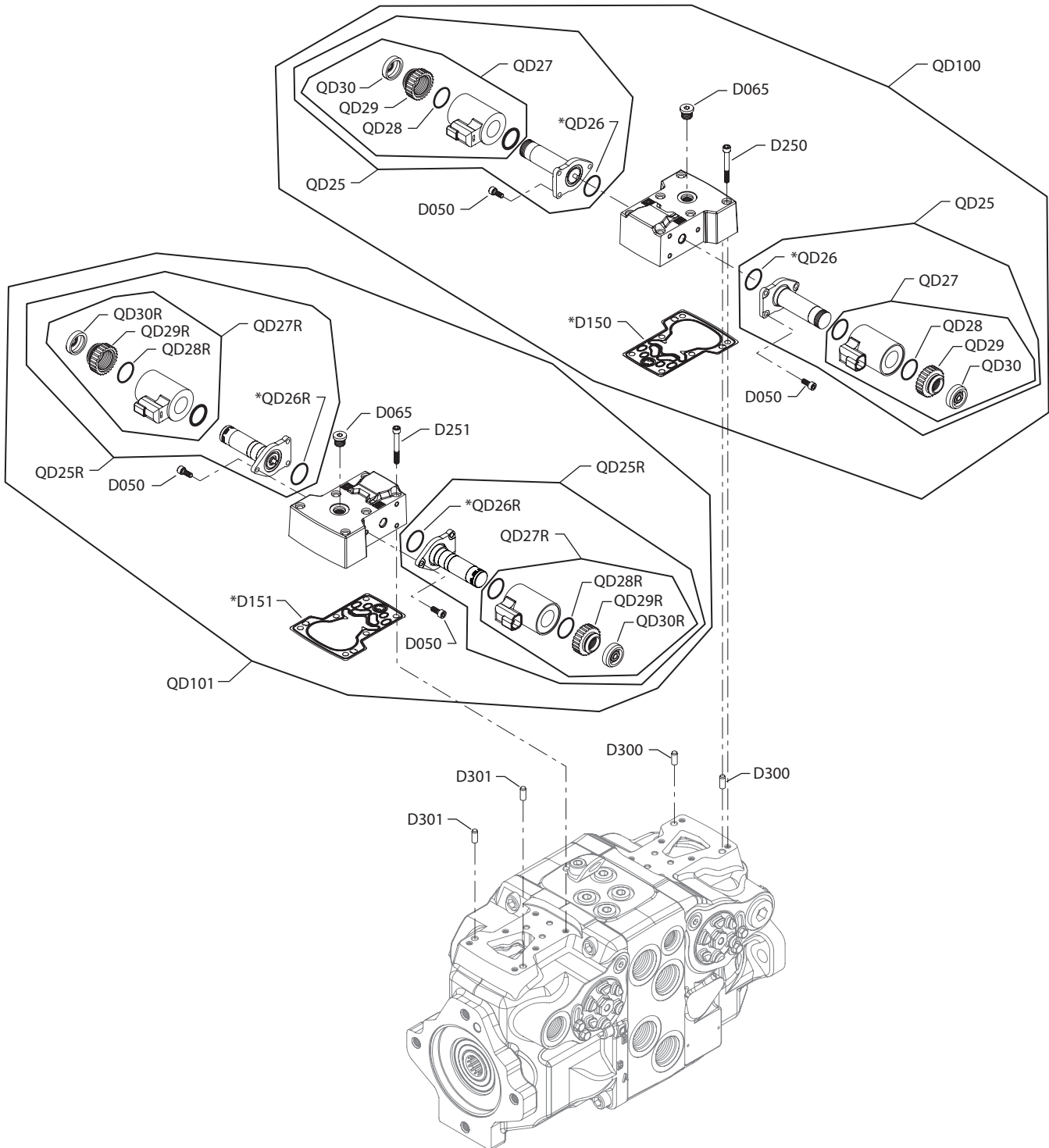

Variable displacement pump
Control

Order Code	Item	Date Begin	Date End	Part Number	Part Name	Qty. per Model/Kit
M2	D065	13-25		327007	Plug assembly	2
	D150	13-25		11173377	Control gasket	1
	D151	13-25		11173377	Control gasket	1
	D200	13-25		11202172	Swashplate feedback link	1
	D201	13-25		11202172	Swashplate feedback link	1
	D250	13-25		505038	Screw, M6 x 45	6
	D251	13-25		505038	Screw, M6 x 45	6
	D300	13-25		310979	Dowel pin	2
	D301	13-25		310979	Dowel pin	2
	QD75	13-25		11119332	Spring seat assembly, neutral start switch	1
	QD75R	13-25		11119332	Spring seat assembly, neutral start switch	1
	QD100	13-25		11141236	MDC kit, neutral start switch	1
	QD101	13-25		11141236	MDC kit, neutral start switch	1
	QD751	13-25		001131 (9004201-5000)	O-ring	2



Variable displacement pump

(N1 & N2)



E103 616E

* = included in overhaul seal kit Q210

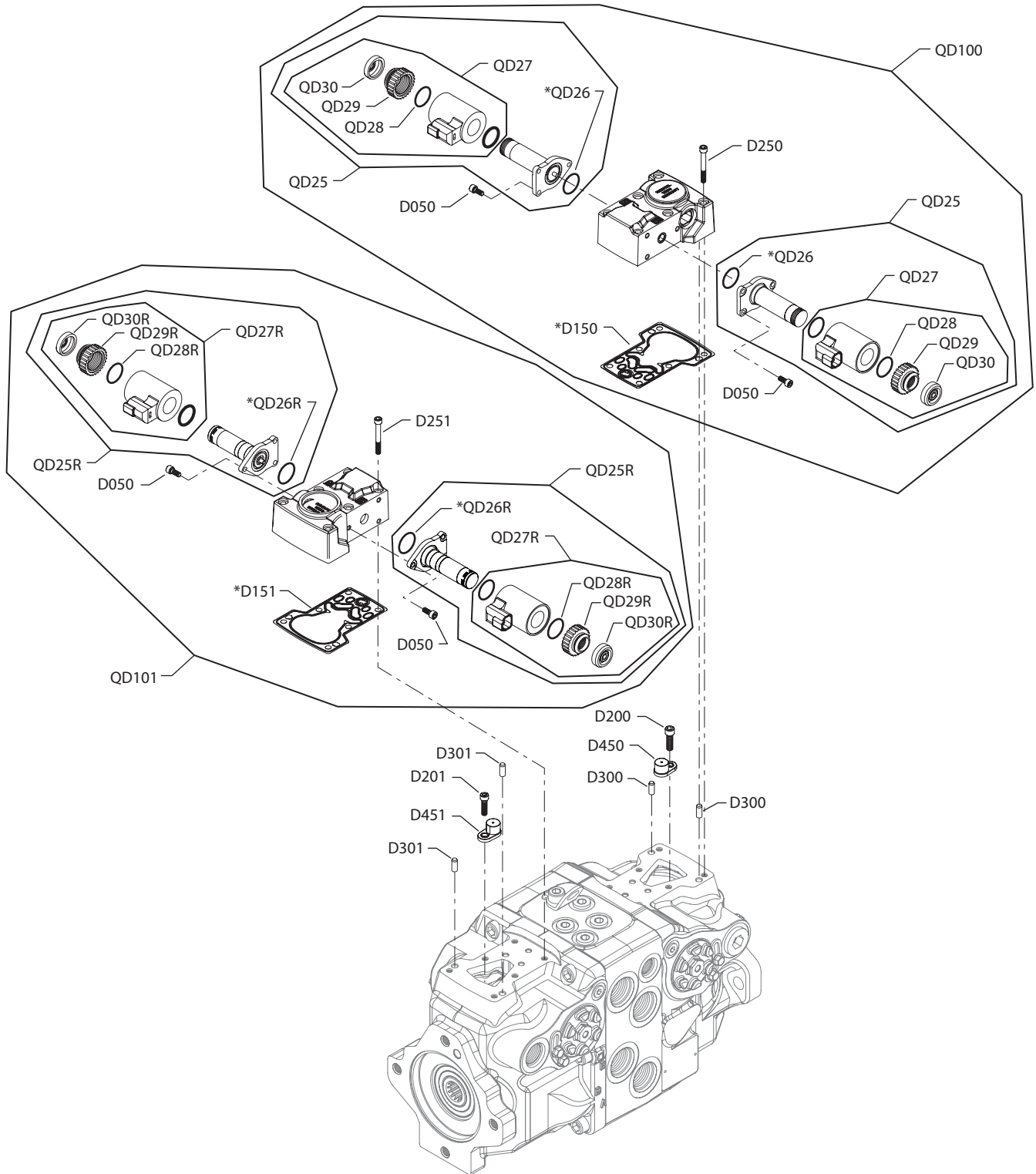

Variable displacement pump
Control

Order Code	Item	Date Begin	Date End	Part Number	Part Name	Qty. per Model/Kit
N1	D050	16-21		716860	Screw, M5 x 12	12
	D065	16-21		327007	Plug	2
	D150	16-21		11173377	Control gasket	1
	D151	16-21		11173377	Control gasket	1
	D250	16-21		505038	Screw, M6 x 45	6
	D251	16-21		505038	Screw, M6 x 45	6
	D300	16-21		310979	Dowel pin	2
	D301	16-21		310979	Dowel pin	2
	QD25	16-21		140750	Proportional solenoid, 12V	2
	QD25R	16-21		140750	Proportional solenoid, 12V	2
	QD26	16-21		11001952	O-ring	2
	QD26R	16-21		11001952	O-ring	2
	QD27	16-21		11004698	Coil kit, 12V, Deutsch connector	2
	QD27R	16-21		11004698	Coil kit, 12V, Deutsch connector	2
	QD28	16-21		063172	O-ring	2
	QD28R	16-21		063172	O-ring	2
	QD29	16-21		11004749	Coil nut	2
	QD29R	16-21		11004749	Coil nut	2
	QD30	16-21		11027883	Cap	2
	QD30R	16-21		11027883	Cap	2
	QD100	16-21		11147921	NFPE control kit, 12V, manual override, Deutsch conn.	1
QD101	16-21		11147921	NFPE control kit, 12V, manual override, Deutsch conn.	1	
N2	D050	16-21		716860	Screw, M5 x 12	12
	D065	16-21		327007	Plug	2
	D150	16-21		11173377	Control gasket	1
	D151	16-21		11173377	Control gasket	1
	D250	16-21		505038	Screw, M6 x 45	6
	D251	16-21		505038	Screw, M6 x 45	6
	D300	16-21		310979	Dowel pin	2
	D301	16-21		310979	Dowel pin	2
	QD25	16-21		140751	Proportional solenoid, 24V, manual override, Deutsch conn.	2
	QD25R	16-21		140751	Proportional solenoid, 24V, manual override, Deutsch conn.	2
	QD26	16-21		11001952	O-ring	2
	QD26R	16-21		11001952	O-ring	2
	QD27	16-21		11004700	Coil kit, 24V, manual override, Deutsch conn.	2
	QD27R	16-21		11004700	Coil kit, 24V, manual override, Deutsch conn.	2
	QD28	16-21		063172	O-ring	2
	QD28R	16-21		063172	O-ring	2
	QD29	16-21		11004749	Coil nut	2
	QD29R	16-21		11004749	Coil nut	2
	QD30	16-21		11027883	Cap	2
	QD30R	16-21		11027883	Cap	2
	QD100	16-21		11147925	NFPE control kit, 24V, manual override, Deutsch conn.	1
QD101	16-21		11147925	NFPE control kit, 24V, manual override, Deutsch conn.	1	



Variable displacement pump

(N5 & N6)



E103 617E

* = included in overhaul seal kit Q210



Variable displacement pump

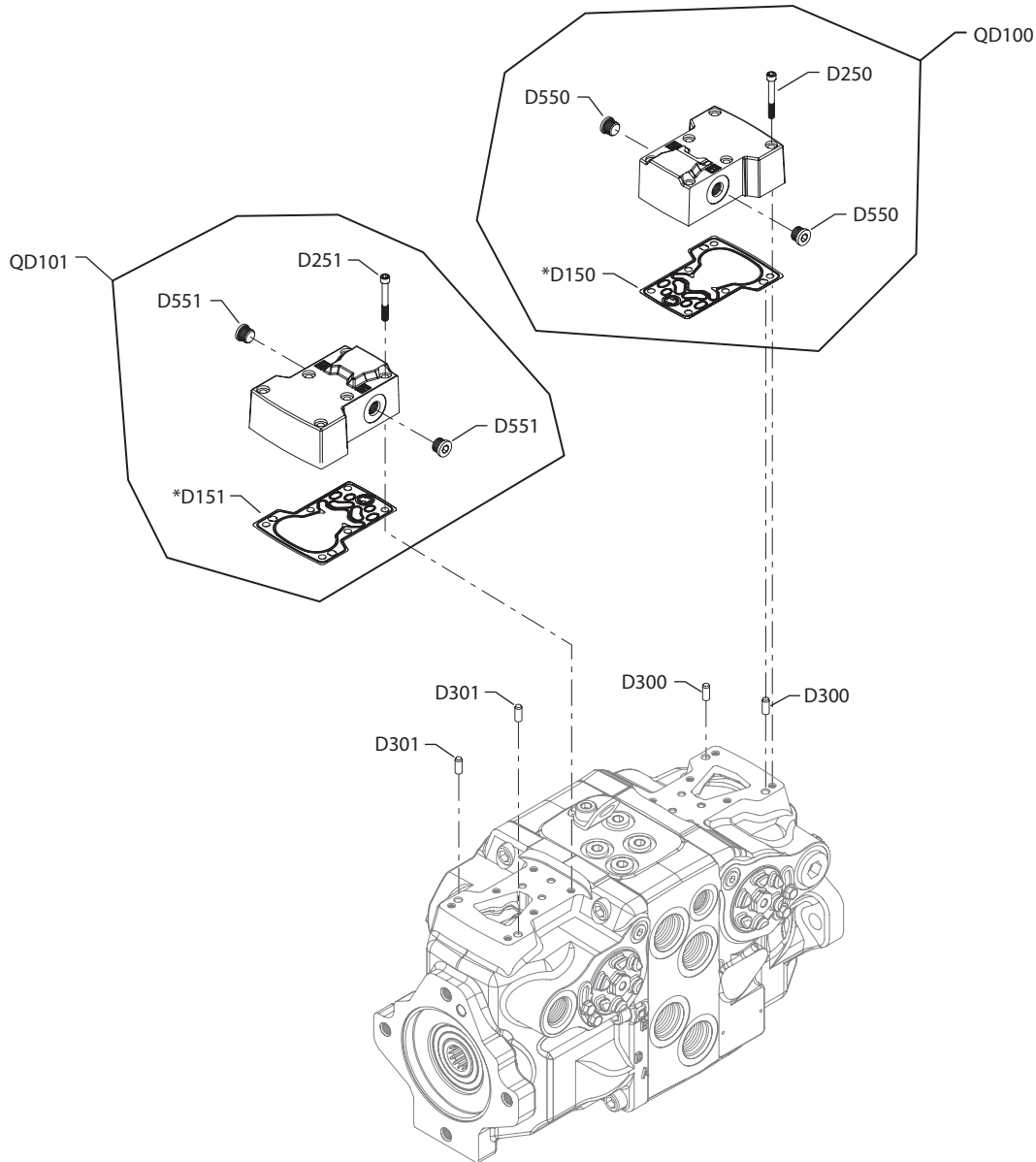
Control

Order Code	Item	Date Begin	Date End	Part Number	Part Name	Qty. per Model/Kit	
N5	D050	16-21		716860	Screw, M5 x 12	12	
	D150	16-21		11173377	Control gasket	1	
	D151	16-21		11173377	Control gasket	1	
	D200	16-21		141472	Screw, M8 x 30	1	
	D201	16-21		141472	Screw, M8 x 30	1	
	D250	16-21		505038	Screw, M6 x 45	6	
	D251	16-21		505038	Screw, M6 x 45	6	
	D300	16-21		310979	Dowel pin	2	
	D301	16-21		310979	Dowel pin	2	
	QD25	16-21		140750	Proportional solenoid, 12V	2	
	QD25R	16-21		140750	Proportional solenoid, 12V	2	
	QD26	16-21		11001952	O-ring	2	
	QD26R	16-21		11001952	O-ring	2	
	QD27	16-21		11004698	Coil kit, 12V, Deutsch connector	2	
	QD27R	16-21		11004698	Coil kit, 12V, Deutsch connector	2	
	QD28	16-21		063172	O-ring	2	
	QD28R	16-21		063172	O-ring	2	
	QD29	16-21		11004749	Coil nut	2	
	QD29R	16-21		11004749	Coil nut	2	
	QD30	16-21		11027883	Cap	2	
	QD30R	16-21		11027883	Cap	2	
	QD100	16-21		11147918	NFPE control kit, 12V, manual override, Deutsch conn.	1	
	QD101	16-21		11147918	NFPE control kit, 12V, manual override, Deutsch conn.	1	
	N6	D050	16-21		716860	Screw, M5 x 12	12
		D150	16-21		11173377	Control gasket	1
		D151	16-21		11173377	Control gasket	1
		D200	16-21		141472	Screw, M8 x 30	1
D201		16-21		141472	Screw, M8 x 30	1	
D250		16-21		505038	Screw, M6 x 45	6	
D251		16-21		505038	Screw, M6 x 45	6	
D300		16-21		310979	Dowel pin	2	
D301		16-21		310979	Dowel pin	2	
QD25		16-21		140751	Proportional solenoid, 24V, manual override, Deutsch conn.	2	
QD25R		16-21		140751	Proportional solenoid, 24V, manual override, Deutsch conn.	2	
QD26		16-21		11001952	O-ring	2	
QD26R		16-21		11001952	O-ring	2	
QD27		16-21		11004700	Coil kit, 24V, manual override, Deutsch conn.	2	
QD27R		16-21		11004700	Coil kit, 24V, manual override, Deutsch conn.	2	
QD28		16-21		063172	O-ring	2	
QD28R		16-21		063172	O-ring	2	
QD29		16-21		11004750	Coil nut	2	
QD29R		16-21		11004750	Coil nut	2	
QD30		16-21		11027883	Cap	2	
QD30R		16-21		11027883	Cap	2	
QD100		16-21		11147922	NFPE control kit, 24V, manual override, Deutsch conn.	1	
QD101		16-21		11147922	NFPE control kit, 24V, manual override, Deutsch conn.	1	



Variable displacement pump

(NN)



E101 981E

* = included in overhaul seal kit Q210



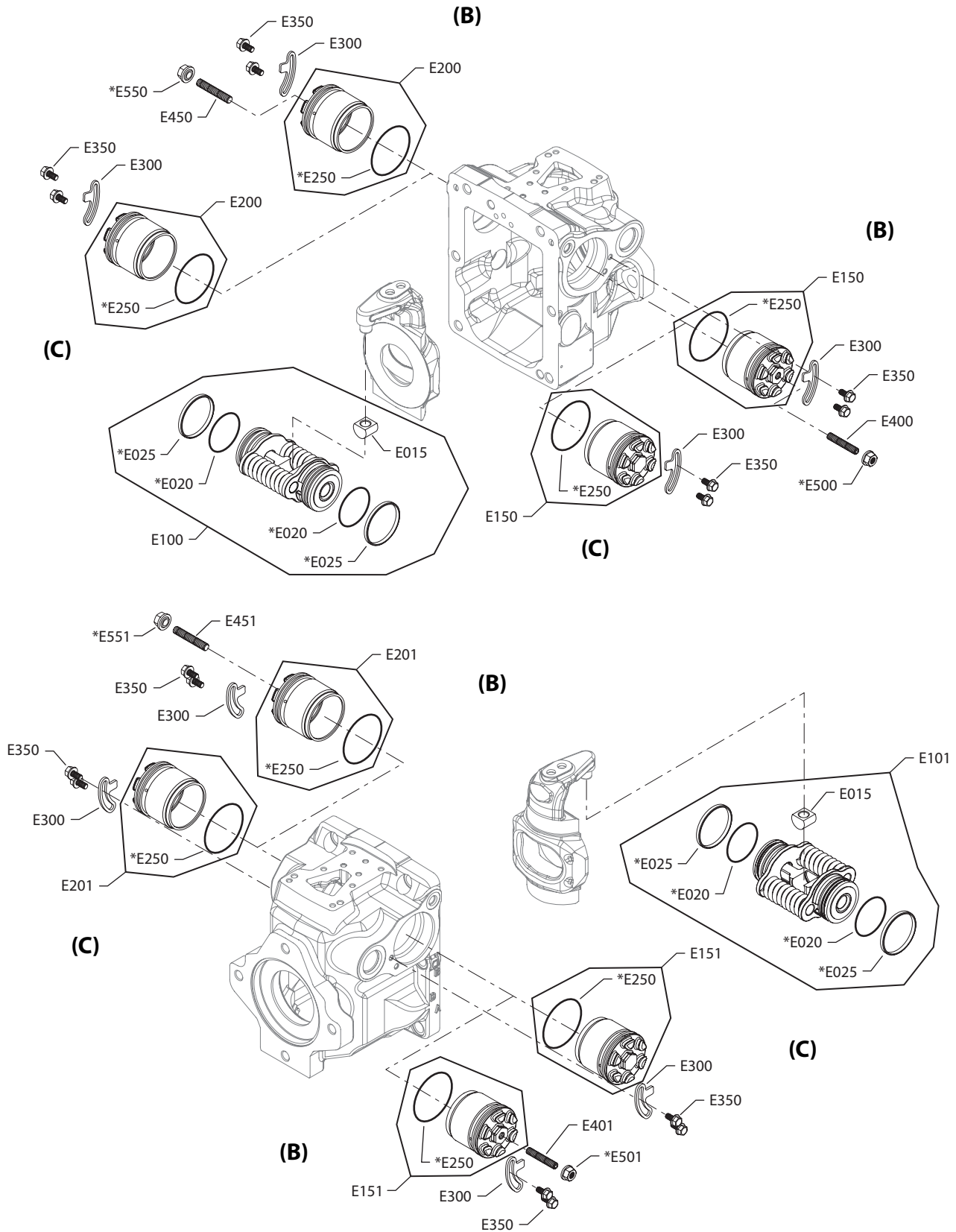
Variable displacement pump

Control

Order Code	Item	Date Begin	Date End	Part Number	Part Name	Qty. per Model/Kit
NN	D150	13-25		11173377	Control gasket	1
	D151	13-25		11173377	Control gasket	1
	D250	13-25		505038	Screw, M6 x 45	6
	D251	13-25		505038	Screw, M6 x 45	6
	D300	13-25		310979	Dowel pin	2
	D301	13-25		310979	Dowel pin	2
	D550	13-25		140644	Plug assembly	2
	D551	13-25		140644	Plug assembly	2
	QD100	13-25		11109588	Remote servo supply kit	1
	QD101	13-25		11109588	Remote servo supply kit	1



Variable displacement pump



E101 733E

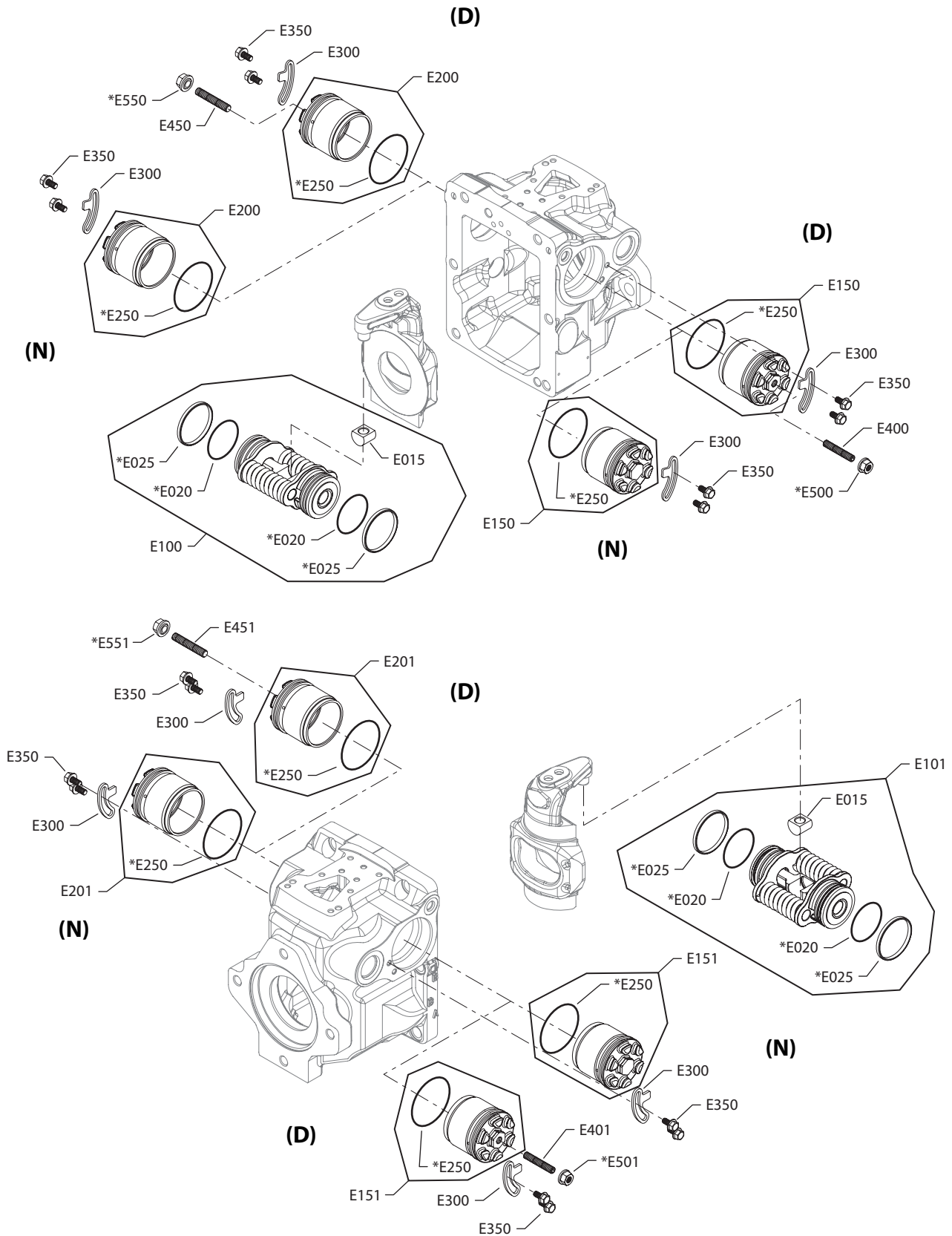
* = included in overhaul seal kit Q210


Variable displacement pump
Displacement limitation

Order Code	Item	Date Begin	Date End	Part Number	Part Name	Qty. per Model/Kit
B	E015	12-21		11141987	Slider block (SB-2011-020)	2
	E015	06-06	12-20	141939	Slider block	2
	E020	06-06		5000732	O-ring	4
	E025	06-06		11028034	Piston ring	4
	E100	12-21		11094107	Servo piston assembly (SB-2011-020)	1
	E100	06-06	12-20	11098278	Servo piston assembly replacement kit	1
	E101	12-21		11094107	Servo piston assembly (SB-2011-020)	1
	E101	06-06	12-20	11098278	Servo piston assembly replacement kit	1
	E150	07-23		11059648	Servo cylinder assembly, adjustable (SB-2007-004)	1
	E151	07-23		11059648	Servo cylinder assembly, adjustable (SB-2007-004)	1
	E200	07-23		11059648	Servo cylinder assembly, adjustable (SB-2007-004)	1
	E201	07-23		11059648	Servo cylinder assembly, adjustable (SB-2007-004)	1
	E250	06-06		5000709	O-ring	4
	E300	07-23		11013910	Locking plate	4
	E300	06-06	07-22	141940	Locking plate (SB-2007-004)	4
	E350	06-06		508438	Screw, M6 x 12	8
	E400	06-06		5000747	Set screw, M8 x 45	1
	E401	06-06		5000747	Set screw, M8 x 45	1
	E450	06-06		5000747	Set screw, M8 x 45	1
	E451	06-06		5000747	Set screw, M8 x 45	1
	E500	06-06		505412 (9003509-0008)	Seal nut, M8	1
	E501	06-06		505412 (9003509-0008)	Seal nut, M8	1
	E550	06-06		505412 (9003509-0008)	Seal nut, M8	1
	E551	06-06		505412 (9003509-0008)	Seal nut, M8	1
C	E015	12-21		11141987	Slider block (SB-2011-020)	2
	E015	08-19	12-20	141939	Slider block	2
	E020	08-19		5000732	O-ring	4
	E025	08-19		11028034	Piston ring	4
	E100	12-21		11094283	Servo piston assembly, nested spring (SB-2011-020)	1
	E100	08-19	12-20	11098279	Servo piston assembly replacement kit	1
	E101	12-21		11094283	Servo piston assembly, nested spring (SB-2011-020)	1
	E101	08-19	12-20	11098279	Servo piston assembly replacement kit	1
	E150	08-19		11059647	Servo cylinder assembly	1
	E151	08-19		11059647	Servo cylinder assembly	1
	E200	08-19		11059647	Servo cylinder assembly	1
	E201	08-19		11059647	Servo cylinder assembly	1
	E250	08-19		5000709	O-ring	4
	E300	08-19		11013910	Locking plate	4
	E350	08-19		508438	Screw, M6 x 12	8



Variable displacement pump



E101 733E

* = included in overhaul seal kit Q210

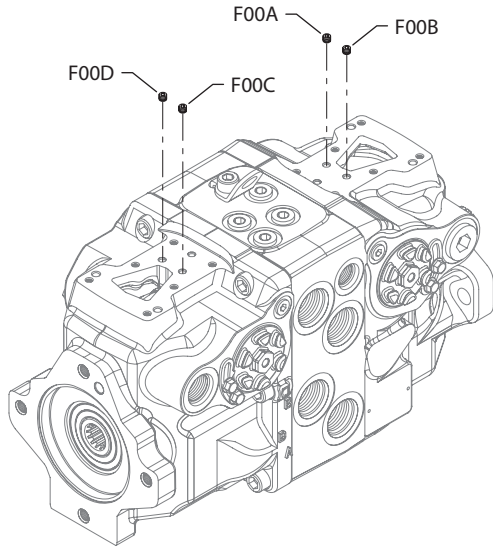

Variable displacement pump
Displacement limitation

Order Code	Item	Date Begin	Date End	Part Number	Part Name	Qty. per Model/Kit
D	E015	12-21		SG3108E-14S-2S(470)		
Slider block (SB-2011-020)			2			
	E015	08-19	12-20	141939	Slider block	2
	E020	08-19		5000732	O-ring	4
	E025	08-19		11028034	Piston ring	4
	E100	12-21		11094283	Servo piston assembly, nested spring (SB-2011-020)	1
	E100	08-19	12-20	11098279	Servo piston assembly replacement kit	1
	E101	12-21		11094283	Servo piston assembly, nested spring (SB-2011-020)	1
	E101	08-19	12-20	11098279	Servo piston assembly replacement kit	1
	E150	08-19		11059648	Servo cylinder assembly, adjustable	1
	E151	08-19		11059648	Servo cylinder assembly, adjustable	1
	E200	08-19		11059648	Servo cylinder assembly, adjustable	1
	E201	08-19		11059648	Servo cylinder assembly, adjustable	1
	E250	08-19		5000709	O-ring	4
	E300	08-19		11013910	Locking plate	4
	E350	08-19		508438	Screw, M6 x 12	8
	E400	06-06		5000747	Set screw, M8 x 45	1
	E401	06-06		5000747	Set screw, M8 x 45	1
	E450	06-06		5000747	Set screw, M8 x 45	1
	E451	06-06		5000747	Set screw, M8 x 45	1
	E500	06-06		505412 (9003509-0008)	Seal nut, M8	1
	E501	06-06		505412 (9003509-0008)	Seal nut, M8	1
	E550	06-06		505412 (9003509-0008)	Seal nut, M8	1
	E551	06-06		505412 (9003509-0008)	Seal nut, M8	1
N	E015	12-21		11141987	Slider block (SB-2011-020)	2
	E015	06-06	12-20	141939	Slider block	2
	E020	06-06		5000732	O-ring	4
	E025	06-06		11028034	Piston ring	4
	E100	12-21		11094107	Servo piston assembly (SB-2011-020)	1
	E100	06-06	12-20	11098278	Servo piston assembly replacement kit	1
	E101	12-21		11094107	Servo piston assembly (SB-2011-020)	1
	E101	06-06	12-20	11098278	Servo piston assembly replacement kit	1
	E015	12-21		11141987	Slider block (SB-2011-020)	2
	E015	06-06	12-20	141939	Slider block	2
	E020	06-06		5000732	O-ring	4
	E025	06-06		11028034	Piston ring	4
	E150	06-06		11059647	Servo cylinder assembly (SB-2007-004)	1
	E151	06-06		11059647	Servo cylinder assembly (SB-2007-004)	1
	E200	06-06		11059647	Servo cylinder assembly (SB-2007-004)	1
	E201	06-06		11059647	Servo cylinder assembly (SB-2007-004)	1
	E250	06-06		5000709	O-ring	4
	E300	07-23		11013910	Locking plate	4
	E300	06-06	07-22	141940	Locking plate (SB-2007-004)	4
	E350	06-06		508438	Screw, M6 x 12	8

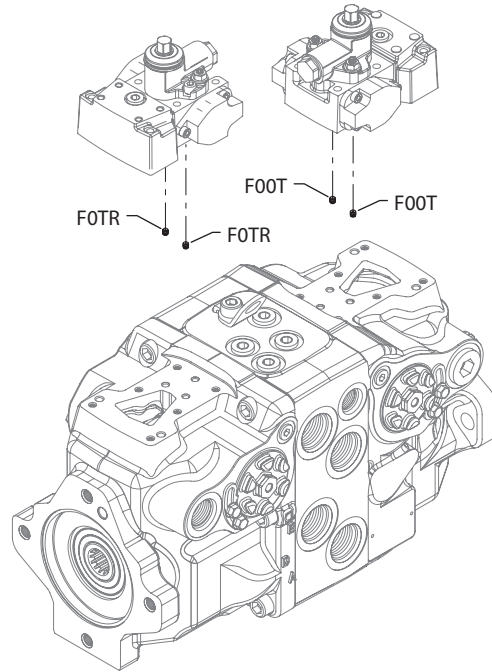


Variable displacement pump

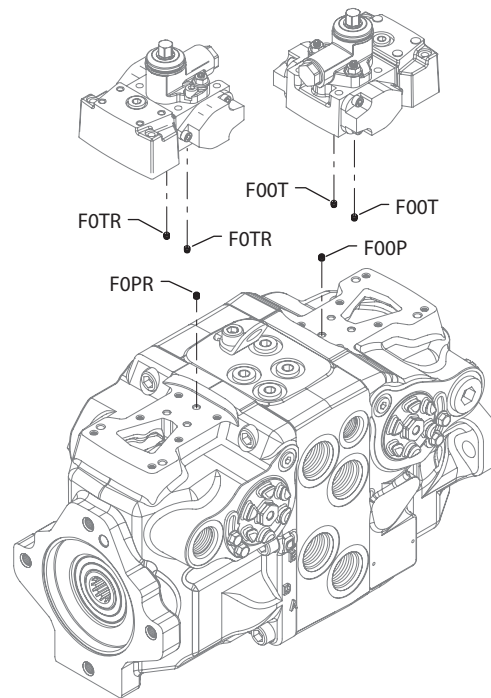
(C1 & C2)



(C6 & C7)



(C8, C9, D1, D2 & D3)



E100 749E

* = included in overhaul seal kit Q210

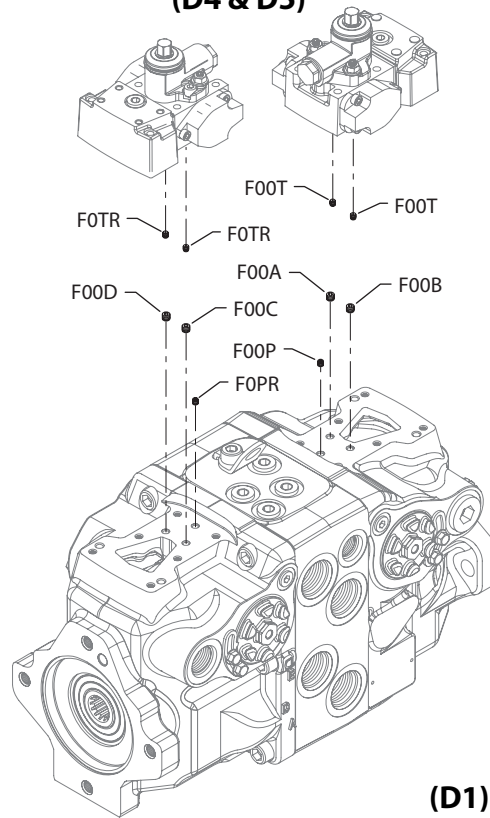

Variable displacement pump
Orifice

Order Code	Item	Date Begin	Date End	Part Number	Part Name	Qty. per Model/Kit
C1	F00A	06-06		140611	Orifice, 0.8, M6 x 0.75 mm	1
	F00B	06-06		140611	Orifice, 0.8, M6 x 0.75 mm	1
	F00C	06-06		140611	Orifice, 0.8, M6 x 0.75 mm	1
	F00D	06-06		140611	Orifice, 0.8, M6 x 0.75 mm	1
C2	F00A	06-06		140754	Orifice, 1.3, M6 x 0.75 mm	1
	F00B	06-06		140754	Orifice, 1.3, M6 x 0.75 mm	1
	F00C	06-06		140754	Orifice, 1.3, M6 x 0.75 mm	1
	F00D	06-06		140754	Orifice, 1.3, M6 x 0.75 mm	1
C3			None			
C6	F00T	14-44		11151734	Orifice, 1.0 M6 x 0.75 mm	2
	F0TR	14-44		11151734	Orifice, 1.0 M6 x 0.75 mm	2
C7	F00T	14-44		140754	Orifice, 1.3, M6 x 0.75 mm	2
	F0TR	14-44		140754	Orifice, 1.3, M6 x 0.75 mm	2
C8	F00P	14-44		140611	Orifice, 0.8 M6 x 0.75 mm	1
	F00T	14-44		11151733	Orifice, 0.6 M6 x 0.75 mm	2
	F0PR	14-44		140611	Orifice, 0.8 M6 x 0.75 mm	1
	F0TR	14-44		11151733	Orifice, 0.6 M6 x 0.75 mm	2
C9	F00P	14-44		11151734	Orifice, 1.0 M6 x 0.75 mm	1
	F00T	14-44		11151733	Orifice, 0.6 M6 x 0.75 mm	2
	F0PR	14-44		11151734	Orifice, 1.0 M6 x 0.75 mm	1
	F0TR	14-44		11151733	Orifice, 0.6 M6 x 0.75 mm	2
D1	F00P	14-44		11151734	Orifice, 1.0 M6 x 0.75 mm	1
	F00T	14-44		140611	Orifice, 0.8 M6 x 0.75 mm	2
	F0PR	14-44		11151734	Orifice, 1.0 M6 x 0.75 mm	1
	F0TR	14-44		140611	Orifice, 0.8 M6 x 0.75 mm	2
D2	F00P	14-44		140754	Orifice, 1.3, M6 x 0.75 mm	1
	F00T	14-44		140611	Orifice, 0.8 M6 x 0.75 mm	2
	F0PR	14-44		140754	Orifice, 1.3, M6 x 0.75 mm	1
	F0TR	14-44		140611	Orifice, 0.8 M6 x 0.75 mm	2
D3	F00P	14-44		140754	Orifice, 1.3, M6 x 0.75 mm	1
	F00T	14-44		11151734	Orifice, 1.0 M6 x 0.75 mm	2
	F0PR	14-44		140754	Orifice, 1.3, M6 x 0.75 mm	1
	F0TR	14-44		11151734	Orifice, 1.0 M6 x 0.75 mm	2

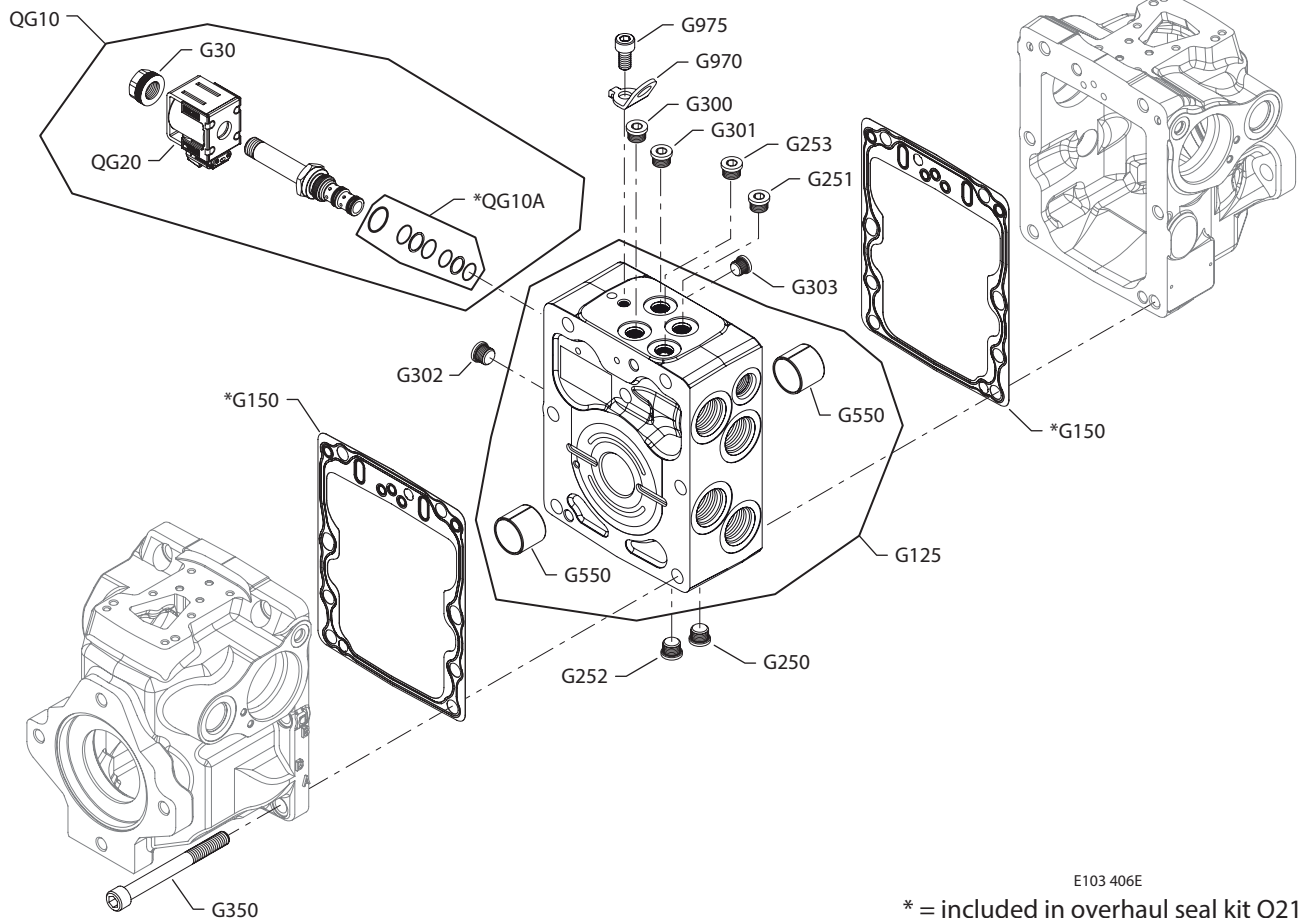


Variable displacement pump

(D4 & D5)



(D1)



E103 406E

* = included in overhaul seal kit Q210


Variable displacement pump
Orifice

Order Code	Item	Date Begin	Date End	Part Number	Part Name	Qty. per Model/Kit
D4	F00A	14-44		140754	Orifice, 1.3, M6 x 0.75 mm	1
	F00B	14-44		140754	Orifice, 1.3, M6 x 0.75 mm	1
	F00C	14-44		140754	Orifice, 1.3, M6 x 0.75 mm	1
	F00D	14-44		140754	Orifice, 1.3, M6 x 0.75 mm	1
	F00P	14-44		140754	Orifice, 1.3, M6 x 0.75 mm	1
	F00T	14-44		11151734	Orifice, 1.0 M6 x 0.75 mm	2
	F0PR	14-44		140754	Orifice, 1.3, M6 x 0.75 mm	1
	F0TR	14-44		11151734	Orifice, 1.0 M6 x 0.75 mm	2
	D5	F00A	14-44		140611	Orifice, 0.8 M6 x 0.75 mm
F00B		14-44		140611	Orifice, 0.8 M6 x 0.75 mm	1
F00C		14-44		140611	Orifice, 0.8 M6 x 0.75 mm	1
F00D		14-44		140611	Orifice, 0.8 M6 x 0.75 mm	1
F00P		14-44		11151733	Orifice, 0.6 M6 x 0.75 mm	1
F00T		14-44		11151733	Orifice, 0.6 M6 x 0.75 mm	2
F0PR		14-44		11151733	Orifice, 0.6 M6 x 0.75 mm	1
F0TR		14-44		11151733	Orifice, 0.6 M6 x 0.75 mm	2

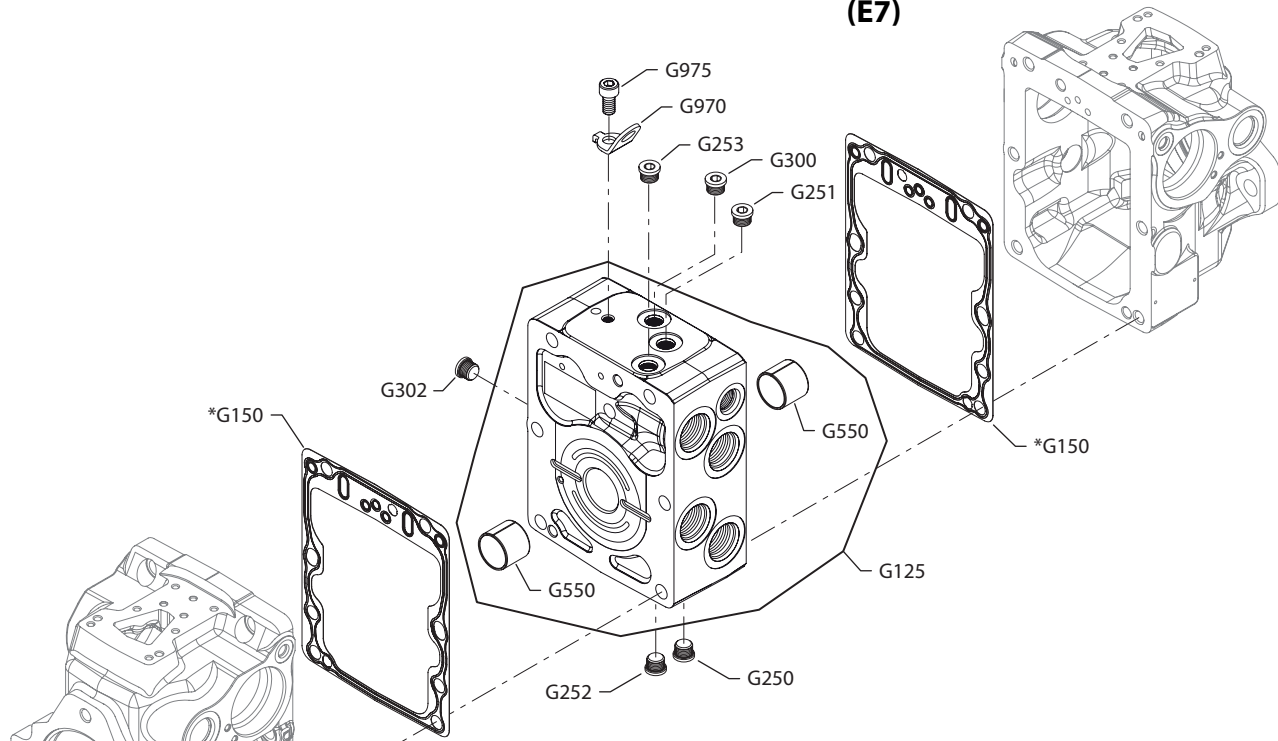
Centersection

D1	G30	06-06		11036497	Coil nut	1
	G125	14-03		11142891	Centersection assembly	1
	G125	06-06	14-02	11131189	Centersection replacement kit (SB-2015-030)	1
	G150	06-06		141504	End cap gasket	2
	G250	06-06		140644	Plug assembly	1
	G251	06-06		140644	Plug assembly	1
	G252	06-06		140644	Plug assembly	1
	G253	06-06		140644	Plug assembly	1
	G300	06-06		140644	Plug assembly	1
	G301	06-06		140644	Plug assembly	1
	G302	06-06		140644	Plug assembly	1
	G303	06-06	14-02	140644	Plug assembly	1
	G350	06-06		5000710	Screw, M12 x 120	6
	G550	06-06		141935	Journal bearing	2
	G970	09-26		11040737	Lifting bracket	1
	G975	06-06		393686	Screw, M10 x 20	1
	QG10	06-06		4510473	Control cut-off valve kit, 12 volt	1
	QG10A	06-06		11177222	Cartridge seal kit	1
	QG20	06-06		11160555	Coil, 12 volt, deutsch connector	1

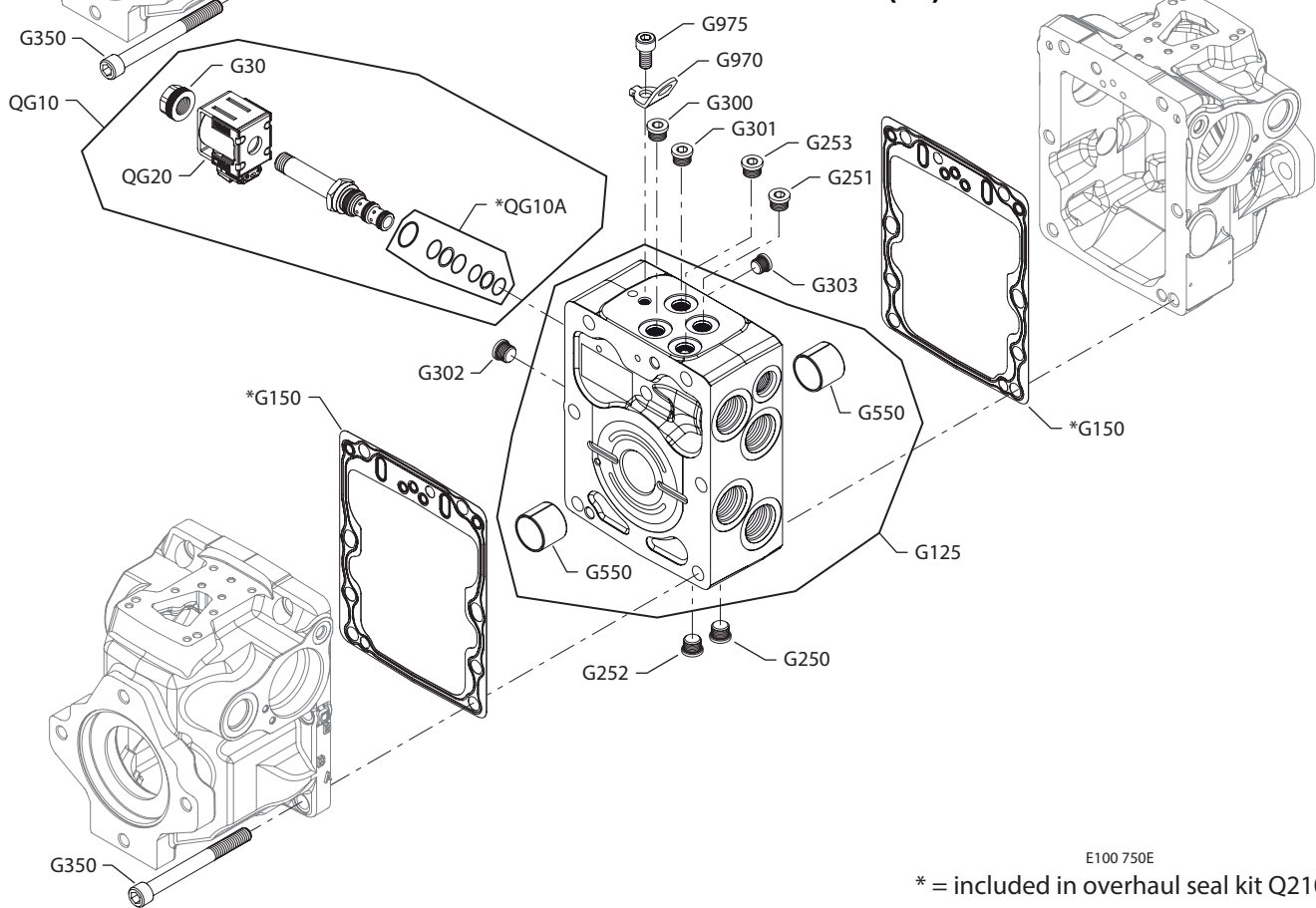


Variable displacement pump

(E7)



(F7)



E100 750E

* = included in overhaul seal kit Q210



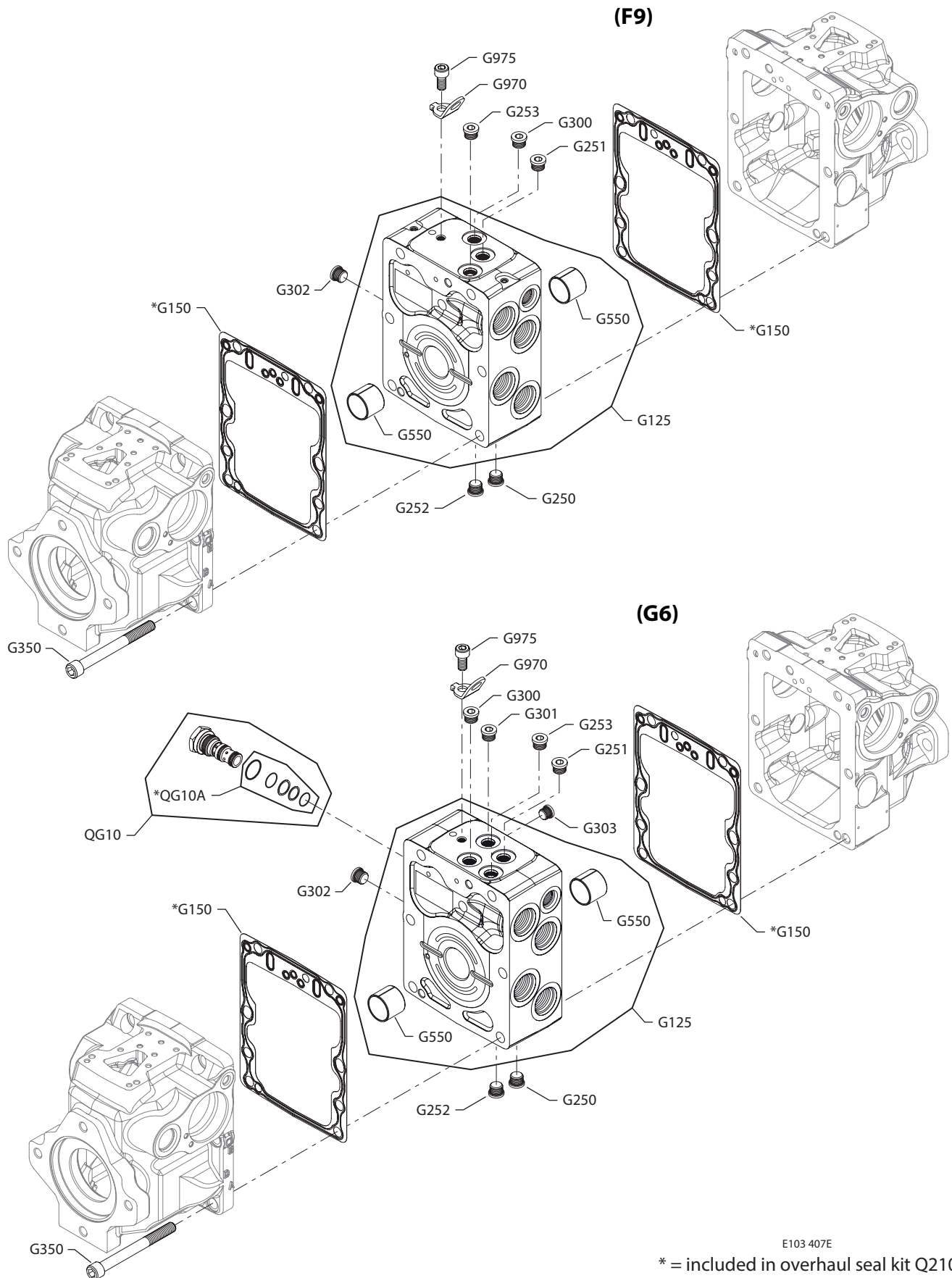
Variable displacement pump

Centersection

Order Code	Item	Date Begin	Date End	Part Number	Part Name	Qty. per Model/Kit	
E7	G125	14-03		11142892	Centersection assembly	1	
	G125	06-06	14-02	11033605	Centersection replacement kit	1	
	G150	06-06		141504	End cap gasket	2	
	G250	06-06		140644	Plug assembly	1	
	G251	06-06		140644	Plug assembly	1	
	G252	06-06		140644	Plug assembly	1	
	G253	06-06		140644	Plug assembly	1	
	G300	06-06		140644	Plug assembly	1	
	G302	06-06		140644	Plug assembly	1	
	G350	06-06		5000710	Screw, M12 x 120	6	
	G550	06-06		141935	Journal bearing	2	
	G970	09-26		11040737	Lifting bracket	1	
	G975	06-06		393686	Screw, M10 x 20	1	
	E7 (metric)	G125	16-02		11171719	Centersection assembly, metric	1
		G150	16-02		141504	End cap gasket	2
G250		16-02		11178808	Plug assembly, M14	1	
G251		16-02		11178808	Plug assembly, M14	1	
G252		16-02		11178808	Plug assembly, M14	1	
G253		16-02		11178808	Plug assembly, M14	1	
G300		16-02		11178808	Plug assembly, M14	1	
G302		16-02		11178808	Plug assembly, M14	1	
G350		16-02		5000710	Screw, M12 x 120	6	
G550		16-02		141935	Journal bearing	2	
G970		09-26		11040737	Lifting bracket	1	
G975		16-02		393686	Screw, M10 x 20	1	
F7		G30	06-06		11036497	Coil nut	1
		G125	14-03		11142891	Centersection assembly	1
		G125	06-06	14-02	11131189	Centersection replacement kit (SB-2015-030)	1
	G150	06-06		141504	End cap gasket	2	
	G250	06-06		140644	Plug assembly	1	
	G251	06-06		140644	Plug assembly	1	
	G252	06-06		140644	Plug assembly	1	
	G253	06-06		140644	Plug assembly	1	
	G300	06-06		140644	Plug assembly	1	
	G301	06-06		140644	Plug assembly	1	
	G302	06-06		140644	Plug assembly	1	
	G303	06-06	14-02	140644	Plug assembly	1	
	G350	06-06		5000710	Screw, M12 x 120	6	
	G550	06-06		141935	Journal bearing	2	
	G970	09-26		11040737	Lifting bracket	1	
	G975	06-06		393686	Screw, M10 x 20	1	
	QG10	06-06		11015625	Control cut-off valve kit, 24 volt	1	
	QG10A	06-06		354003719	Cartridge seal kit	1	
	QG20	06-06		11160558	Coil, 24 volt, deutsch connector	1	



Variable displacement pump



E103 407E

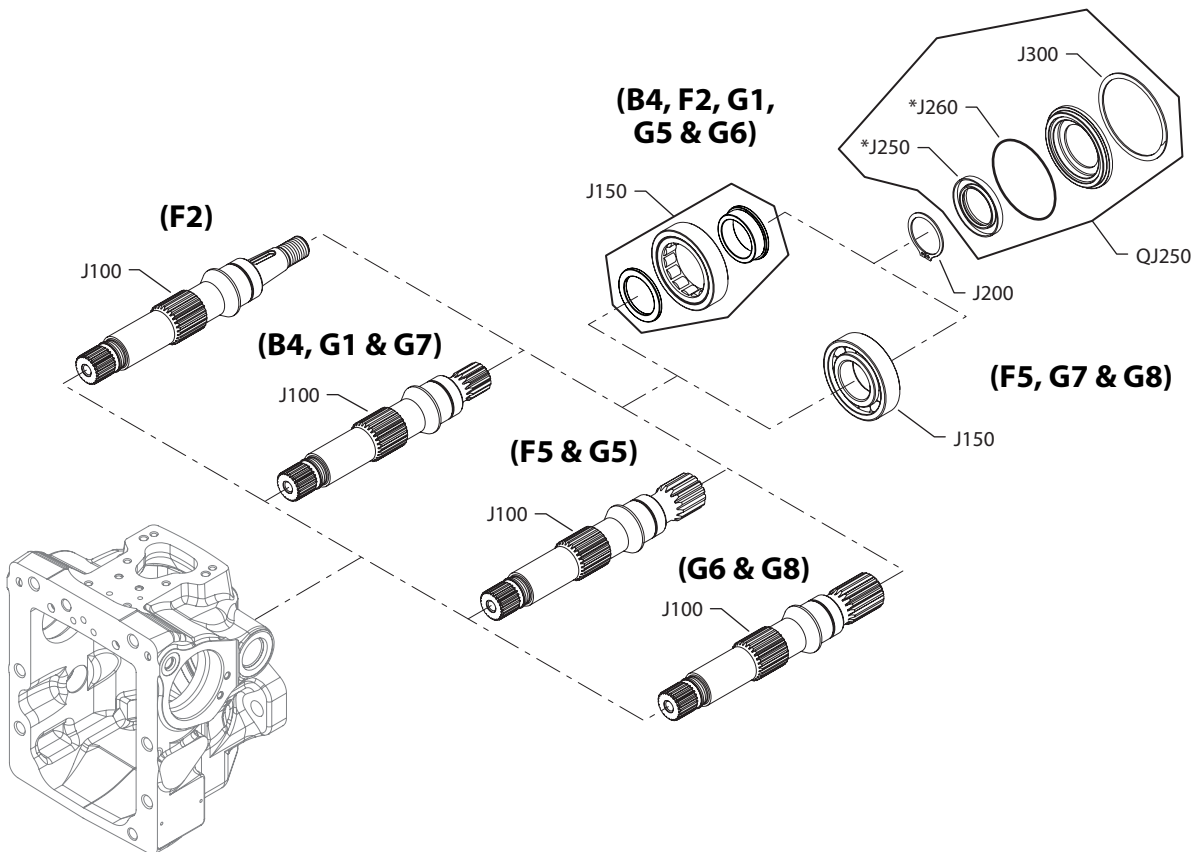
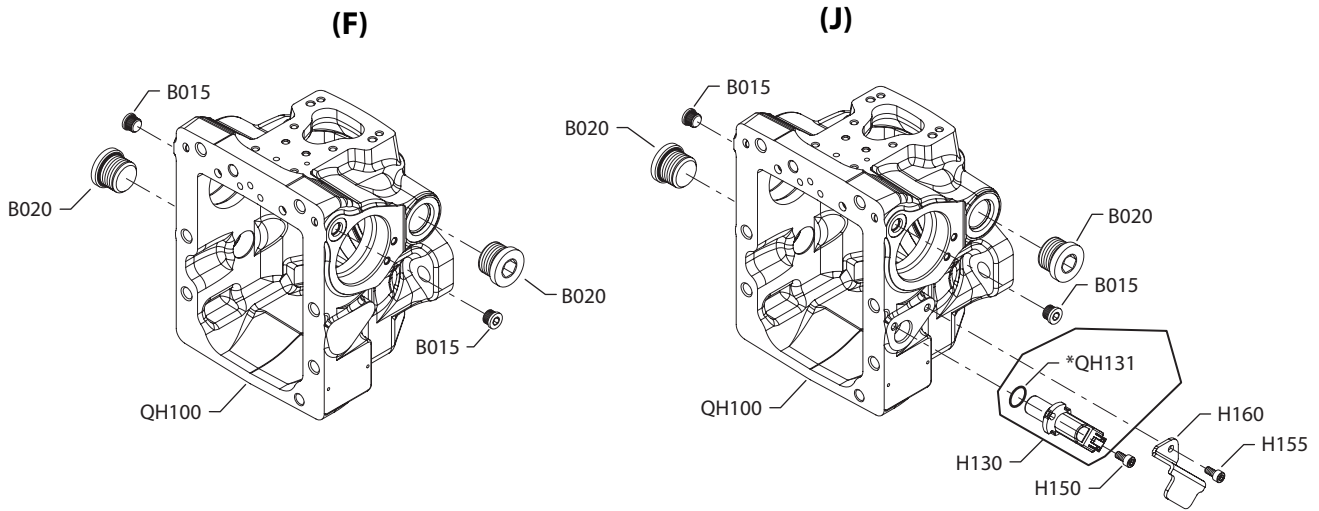
* = included in overhaul seal kit Q210


Variable displacement pump
Centersection

Order Code	Item	Date Begin	Date End	Part Number	Part Name	Qty. per Model/Kit
F9	G125	14-03		11142893	Centersection assembly	1
	G125	06-06	14-02	11131202	Centersection replacement kit	1
	G150	06-06		141504	End cap gasket	2
	G250	06-06		140644	Plug assembly	1
	G251	06-06		140644	Plug assembly	1
	G252	06-06		140644	Plug assembly	1
	G253	06-06		140644	Plug assembly	1
	G300	06-06		140644	Plug assembly	1
	G302	06-06		315325 (9005110-8700)	Plug assembly	1
	G350	06-06		5000710	Screw, M12 x 120	6
	G550	06-06		141935	Journal bearing	2
	G970	09-26		11040737	Lifting bracket	1
	G975	06-06		393686	Screw, M10 x 20	1
	T050	06-06		315325 (9005110-8700)	Plug assembly	1
	G6	G125	14-03		11142891	Centersection assembly
G125		12-01	14-02	11131189	Centersection replacement kit (SB-2015-030)	1
G150		12-01		141504	End cap gasket	2
G250		12-01		140644	Plug assembly	1
G251		12-01		140644	Plug assembly	1
G252		12-01		140644	Plug assembly	1
G253		12-01		140644	Plug assembly	1
G300		12-01		140644	Plug assembly	1
G301		12-01		140644	Plug assembly	1
G302		12-01		140644	Plug assembly	1
G303		12-01	14-02	140644	Plug assembly	1
G350		12-01		5000710	Screw, M12 x 120	6
G550		12-01		141935	Journal bearing	2
G970		12-01		11040737	Lifting bracket	1
G975		12-01		393686	Screw, M10 x 20	1
QG10		12-01		920275	Cavity plug	1
QG10A		12-01		11177222	Cartridge seal kit	1



Variable displacement pump



E101 734E

* = included in overhaul seal kit Q210


Variable displacement pump
Mounting flange

Order Code	Item	Date Begin	Date End	Part Number	Part Name	Qty. per Model/Kit
F	B015	06-06		327007 (9005110-4400)	Plug assembly	2
	B020	06-06		664524 (9005110-9000)	Plug assembly	2
	QH100	06-06		11083400	Pump housing, front, 2-bolt	1
F (metric)	B015	06-06		5000572	Plug assembly, M12	2
	B020	06-06		11178807	Plug assembly, M27	2
	QH100	06-06		11171717	Pump housing, front, 2-bolt, metric	1
J	B015	10-42		327007 (9005110-4400)	Plug assembly	2
	B020	10-42		664524 (9005110-9000)	Plug assembly	2
	H130	10-42		149055	Speed sensor assembly	1
	H150	10-42		508438	Screw	1
	H155	10-42		376749	Screw	1
	H160	10-42		11025029	Speed sensor protection	1
	QH100	10-42		11087476	Pump housing with speed sensing, front, 2-bolt	1
	QH131	10-42		11013397	O-ring	1

Common shaft parts

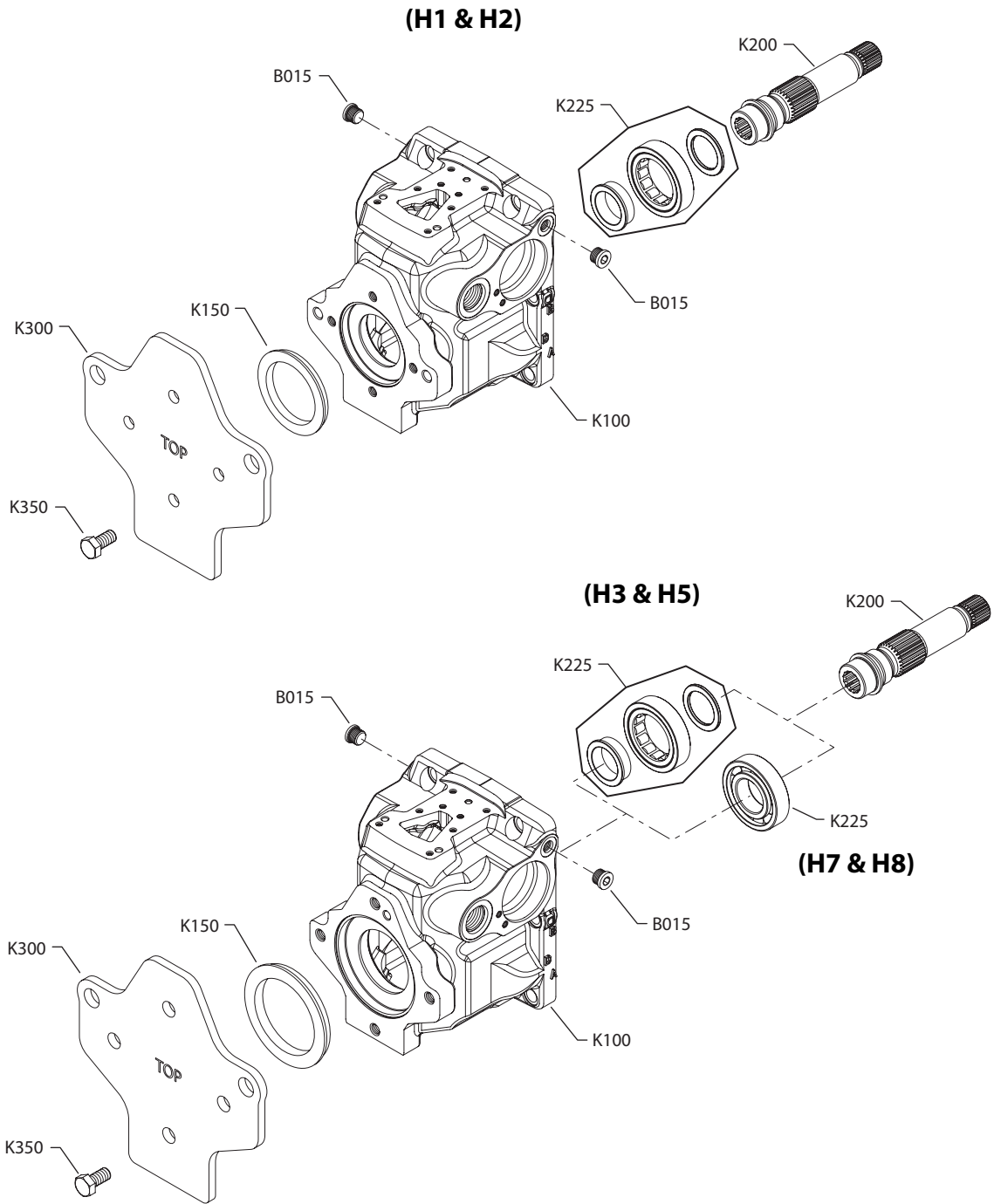
J200	06-06		9006300-0137	Retaining ring	1
J250	06-06		141936	Lip seal	1
J260	06-06		9004104-2310	O-ring	1
J300	06-06		9006200-0281	Retaining ring	1
QJ250	06-06		4510479	Shaft seal kit	1

Shaft

B4	J100	06-06	11182259	Shaft, 14 tooth spline, 12/24 pitch	1
	J150	06-06	357616	Roller bearing	1
F2	J100	06-06	141961	Shaft, tapered, special	1
	J150	06-06	357616	Roller bearing	1
F5	J100	15-08	141954	Shaft, 15 tooth spline, 16/32 pitch	1
	J150	15-08	5000731	Ball bearing	1
G1	J100	06-06	141942	Shaft, 14 tooth spline, 12/24 pitch	1
	J150	06-06	357616	Roller bearing	1
G5	J100	06-06	141954	Shaft, 15 tooth spline, 16/32 pitch	1
	J150	06-06	357616	Roller bearing	1
G6	J100	06-06	141955	Shaft, 19 tooth spline, 16/32 pitch	1
	J150	06-06	357616	Roller bearing	1
G7	J100	06-06	141942	Shaft, 14 tooth spline, 12/24 pitch	1
	J150	06-06	5000731	Ball bearing	1
G8	J100	06-06	141955	Shaft, 19 tooth spline, 16/32 pitch	1
	J150	06-06	5000731	Ball bearing	1



Variable displacement pump



E100 751E

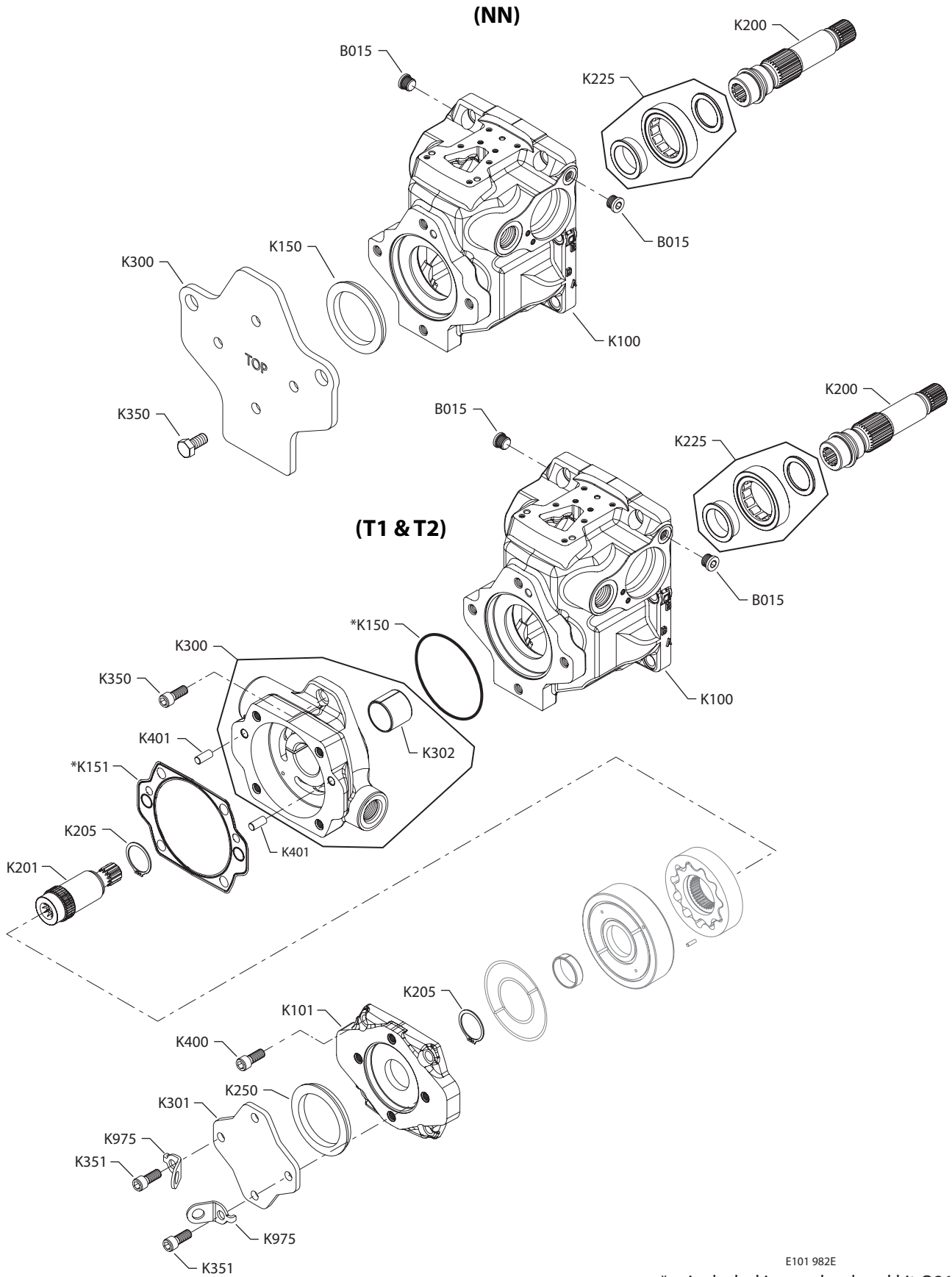
* = included in overhaul seal kit Q210


Variable displacement pump
Auxiliary mounting

Order Code	Item	Date Begin	Date End	Part Number	Part Name	Qty. per Model/Kit
H1	B015	06-06		327007 (9005110-4400)	Plug assembly	2
	K100	06-06		11014915	Rear housing, auxiliary flange SAE A	1
	K150	06-06		4800482	A pad seal	1
	K200	06-06		141949	Shaft, 11 tooth internal splines, 16/32 pitch	1
	K225	06-06		357616	Roller bearing	1
	K300	06-06		141854	Flange cover	1
	K350	06-06		370247	Screw, M10 x 20	4
	H2	B015	06-06		327007 (9005110-4400)	Plug assembly
K100		06-06		11014915	Rear housing, auxiliary flange SAE A	1
K150		06-06		4800482	A pad seal	1
K200		06-06		141221	Shaft, 9 tooth internal splines, 16/32 pitch	1
K225		06-06		357616	Roller bearing	1
K300		06-06		141854	Flange cover	1
K350		06-06		370247	Screw, M10 x 20	4
H3		B015	06-06		327007 (9005110-4400)	Plug assembly
	K100	06-06		11014916	Rear housing, auxiliary flange SAE B	1
	K150	06-06		8801061	B pad seal	1
	K200	06-06		11202114	Shaft, 13 tooth internal splines, 16/32 pitch	1
	K225	06-06		357616	Roller bearing	1
	K300	06-06		141561	Flange cover	1
	K350	06-06		5000760	Screw, M12 x 20	4
	H5	B015	06-06		327007 (9005110-4400)	Plug assembly
K100		06-06		11014916	Rear housing, auxiliary flange SAE B	1
K150		06-06		8801061	B pad seal	1
K200		06-06		141951	Shaft, 15 tooth internal splines, 16/32 pitch	1
K225		06-06		357616	Roller bearing	1
K300		06-06		141561	Flange cover	1
K350		06-06		5000760	Screw, M12 x 20	4
H7		B015	06-06		327007 (9005110-4400)	Plug assembly
	K100	06-06		11014916	Rear housing, auxiliary flange SAE B	1
	K150	06-06		8801061	B pad seal	1
	K200	06-06		141951	Shaft, 15 tooth internal splines, 16/32 pitch	1
	K225	06-06		5000731	Ball bearing	1
	K300	06-06		141561	Flange cover	1
	K350	06-06		5000760	Screw, M12 x 20	4
	H8	B015	06-06		327007 (9005110-4400)	Plug assembly
K100		06-06		11014916	Rear housing, auxiliary flange SAE B	1
K150		06-06		8801061	B pad seal	1
K200		06-06		11202114	Shaft, 13 tooth internal splines, 16/32 pitch	1
K225		06-06		5000731	Ball bearing	1
K300		06-06		141561	Flange cover	1
K350		06-06		5000760	Screw, M12 x 20	4



Variable displacement pump



E101 982E

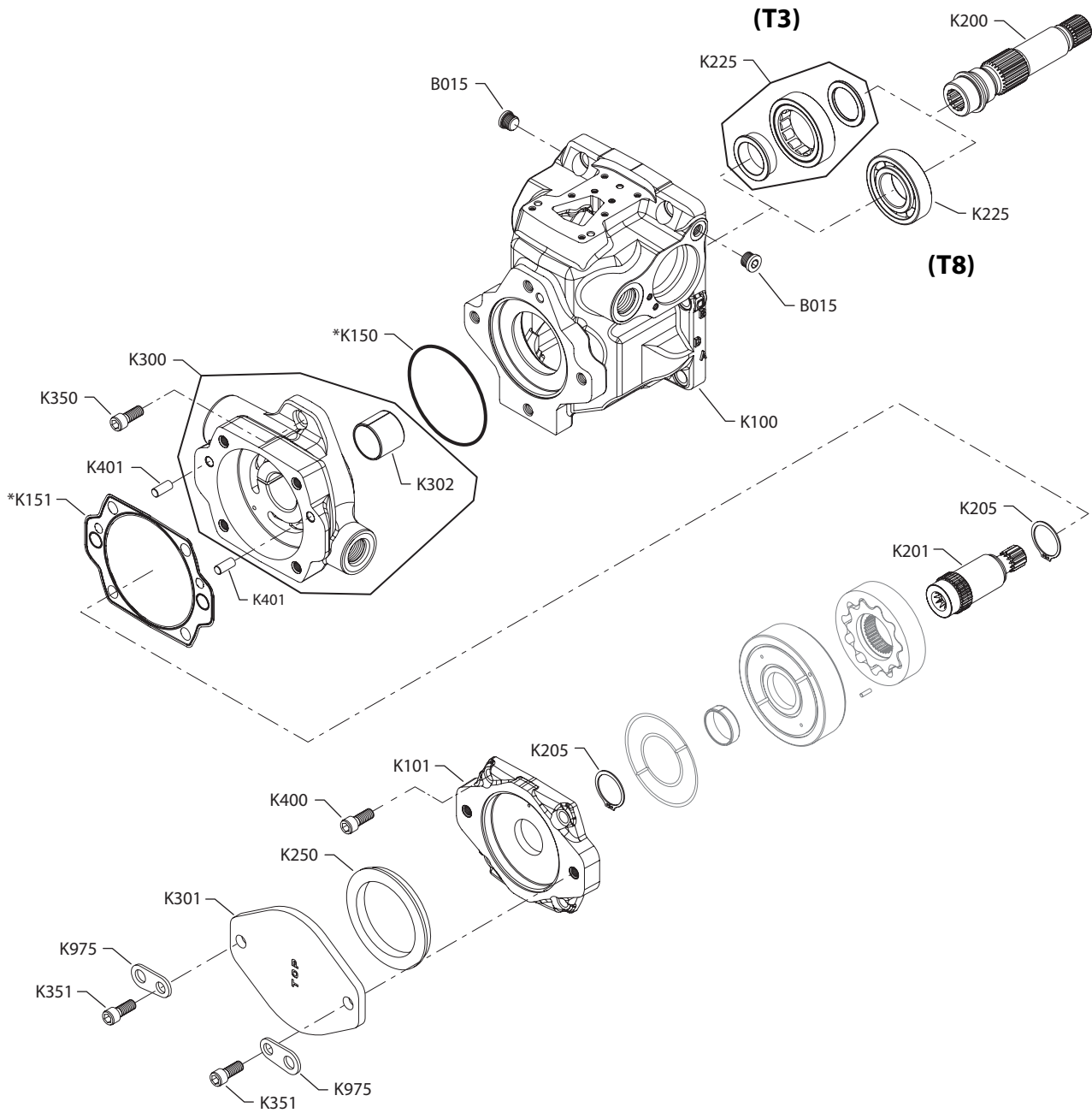
* = included in overhaul seal kit Q210


Variable displacement pump
Auxiliary mounting

Order Code	Item	Date Begin	Date End	Part Number	Part Name	Qty. per Model/Kit	
NN	B015	06-06		327007 (9005110-4400)	Plug assembly	2	
	K100	06-06		11014916	Rear housing, auxiliary flange SAE B	1	
	K150	06-06		8801061	B pad seal	1	
	K200	06-06		11202114	Shaft, 13 tooth internal splines, 16/32 pitch	1	
	K225	06-06		357616	Roller bearing	1	
	K300	06-06		141561	Flange cover	1	
	K350	06-06		5000760	Screw	4	
	T1	B015	10-27		327007 (9005110-4400)	Plug assembly	2
K100		10-27		11014916	Rear housing, auxiliary flange SAE B	1	
K101		10-27		11032257	Adapter, SAE A	1	
K150		10-27		9004104-1540	O-ring	1	
K151		10-27		11032691	Gasket	1	
K200		10-27		11202114	Shaft, 13 tooth internal splines, 16/32 pitch	1	
K201		10-27		11131962	Coupling,11 tooth (SB-2013-021)	1	
K205		10-27		9006300-0137	Retaining ring	2	
K225		10-27		357616	Roller bearing	1	
K250		10-27		4800482	A pad seal	1	
K300		10-27		11048659	Flange cover	1	
K301		10-27		11037552	Cover	1	
K302		10-27		141935	Journal bearing	1	
K350		10-27		11049358	Screw	2	
K351		10-27		393686	Screw	4	
K400		10-27		11000819	Screw	4	
K401		10-27		5000757	Pin	2	
K975		10-27		11040737	Lifting bracket	2	
T2		B015	10-27		327007 (9005110-4400)	Plug assembly	2
		K100	10-27		11014916	Rear housing, auxiliary flange SAE B	1
	K101	10-27		11032257	Adapter, SAE A	1	
	K150	10-27		9004104-1540	O-ring	1	
	K151	10-27		11032691	Gasket	1	
	K200	10-27		11202114	Shaft, 13 tooth internal splines, 16/32 pitch	1	
	K201	10-27		11131961	Coupling,9 tooth (SB-2013-021)	1	
	K205	10-27		9006300-0137	Retaining ring	2	
	K225	10-27		357616	Roller bearing	1	
	K250	10-27		4800482	A pad seal	1	
	K300	10-27		11048659	Flange cover	1	
	K301	10-27		11037552	Cover	1	
	K302	10-27		141935	Journal bearing	1	
	K350	10-27		11049358	Screw	2	
	K351	10-27		393686	Screw	4	
	K400	10-27		11000819	Screw	4	
	K401	10-27		5000757	Pin	2	
	K975	10-27		11040737	Lifting bracket	2	



Variable displacement pump



E101 983E

* = included in overhaul seal kit Q210



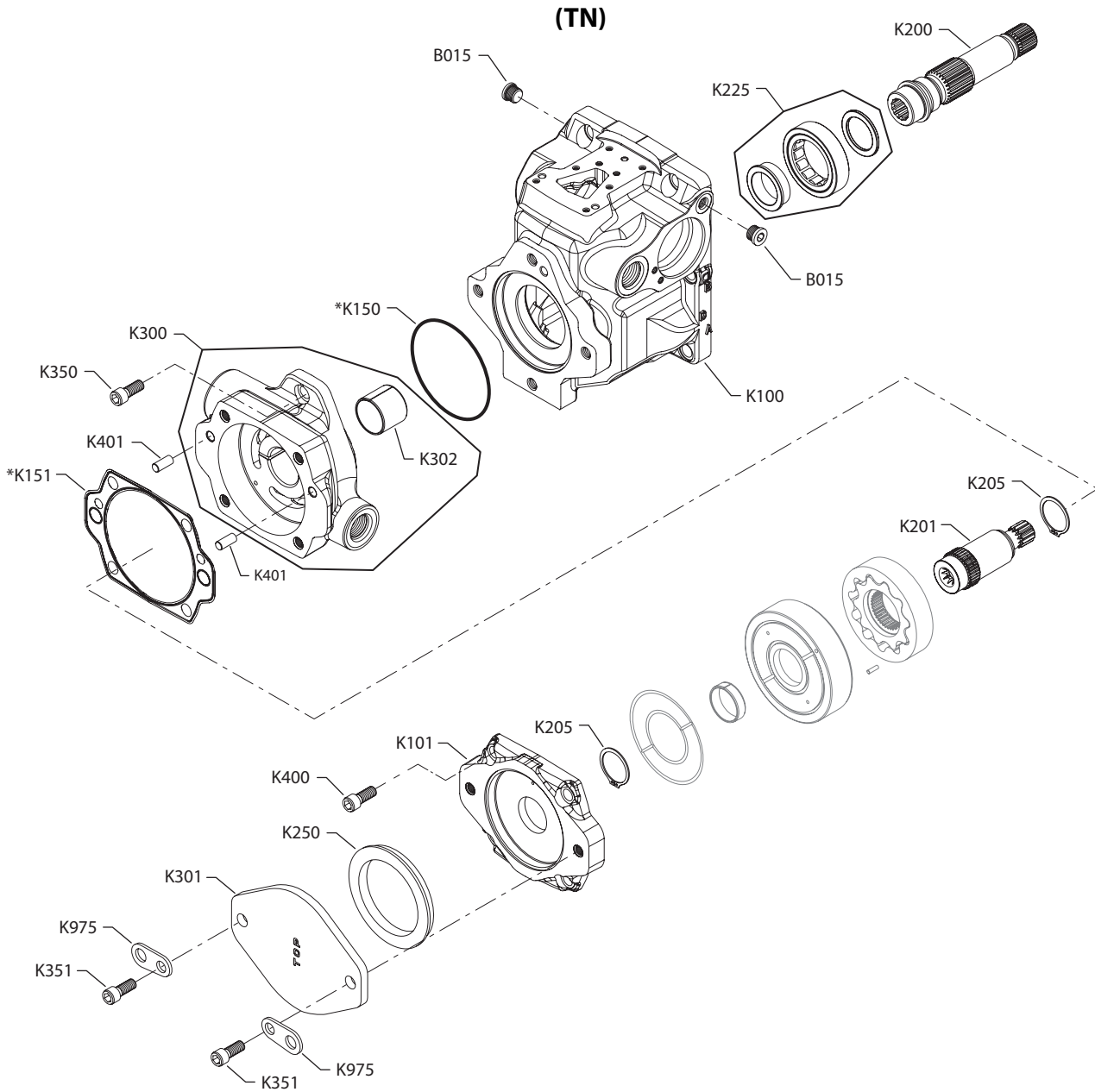
Variable displacement pump

Auxiliary mounting

Order Code	Item	Date Begin	Date End	Part Number	Part Name	Qty. per Model/Kit
T3	B015	10-27		327007 (9005110-4400)	Plug assembly	2
	K100	10-27		11014916	Rear housing, auxiliary flange SAE B	1
	K101	10-27		11032259	Adapter, SAE B	1
	K150	10-27		9004104-1540	O-ring	1
	K151	10-27		11032691	Gasket	1
	K200	10-27		11202114	Shaft, 13 tooth internal splines, 16/32 pitch	1
	K201	10-27		11131963	Coupling,13 tooth (SB-2013-021)	1
	K205	10-27		9006300-0137	Retaining ring	2
	K225	10-27		357616	Roller bearing	1
	K250	10-27		8801061	B pad seal	1
	K300	10-27		11048659	Flange cover	1
	K301	10-27		8801059	Cover	1
	K302	10-27		141935	Journal bearing	1
	K350	10-27		11049358	Screw	2
	K351	10-27		11000819	Screw	2
	K400	10-27		11000819	Screw	4
	K401	10-27		5000757	Pin	2
	K975	10-27		8800565	Bracket	2
T8	B015	10-27		327007 (9005110-4400)	Plug assembly	2
	K100	10-27		11014916	Rear housing, auxiliary flange SAE B	1
	K101	10-27		11032259	Adapter, SAE B	1
	K150	10-27		9004104-1540	O-ring	1
	K151	10-27		11032691	Gasket	1
	K200	10-27		11202114	Shaft, 13 tooth internal splines, 16/32 pitch	1
	K201	10-27		11131963	Coupling,13 tooth (SB-2013-021)	1
	K205	10-27		9006300-0137	Retaining ring	2
	K225	10-27		5000731	Ball bearing	1
	K250	10-27		8801061	B pad seal	1
	K300	10-27		11048659	Flange cover	1
	K301	10-27		8801059	Cover	1
	K302	10-27		141935	Journal bearing	1
	K350	10-27		11049358	Screw	2
	K351	10-27		11000819	Screw	2
	K400	10-27		11000819	Screw	4
	K401	10-27		5000757	Pin	2
	K975	10-27		8800565	Bracket	2



Variable displacement pump



E101 984E

* = included in overhaul seal kit Q210



Variable displacement pump

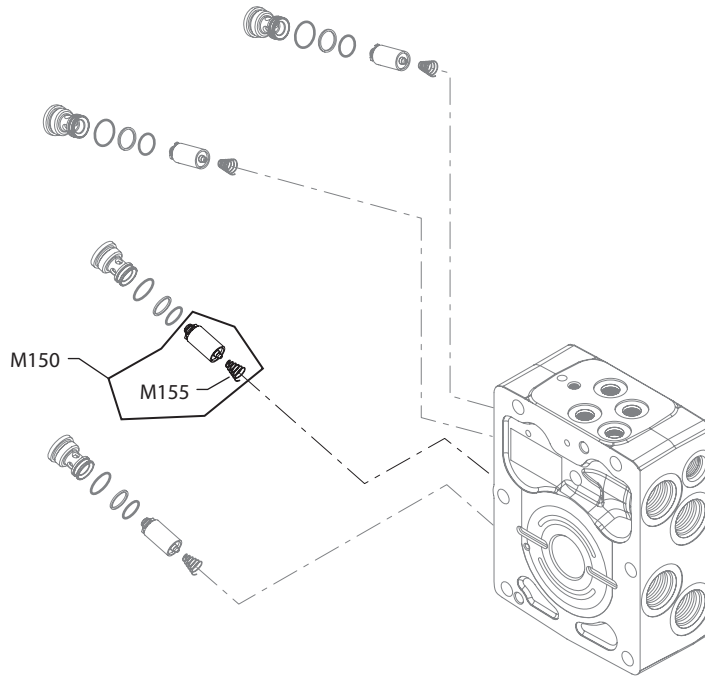
Auxiliary mounting

Order Code	Item	Date Begin	Date End	Part Number	Part Name	Qty. per Model/Kit
TN	B015	10-27		327007 (9005110-4400)	Plug assembly	2
	K100	10-27		11014916	Rear housing, auxiliary flange SAE B	1
	K101	10-27		11032259	Adapter, SAE B	1
	K150	10-27		9004104-1540	O-ring	1
	K151	10-27		11032691	Gasket	1
	K200	10-27		11202114	Shaft, 13 tooth internal splines, 16/32 pitch	1
	K201	10-27		11131963	Coupling,13 tooth (SB-2013-021)	1
	K205	10-27		9006300-0137	Retaining ring	2
	K225	10-27		357616	Roller bearing	1
	K250	10-27		8801061	B pad seal	1
	K300	10-27		11048659	Flange cover	1
	K301	10-27		8801059	Cover	1
	K302	10-27		141935	Journal bearing	1
	K350	10-27		11049358	Screw	2
	K351	10-27		11000819	Screw	2
	K400	10-27		11000819	Screw	4
	K401	10-27		5000757	Pin	2
	K975	10-27		8800565	Bracket	2



Variable displacement pump

(13 - 42)



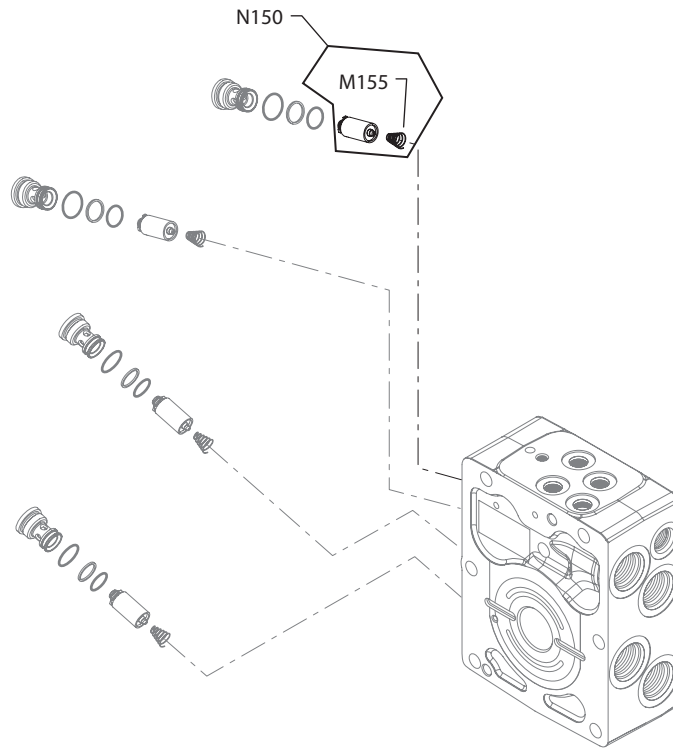

Variable displacement pump
High pressure setting parts, port A

Order Code	Item	Date Begin	Date End	Part Number	Part Name	Qty. per Model/Kit
all	M155	06-06		4800780	Spring	1
13	M150	06-06		11147957	SCR valve assembly, 130 bar [1885 psi]	1
15	M150	06-06		11147958	SCR valve assembly, 150 bar [2175 psi]	1
18	M150	06-06		11147959	SCR valve assembly, 180 bar [2610 psi]	1
20	M150	06-06		11147960	SCR valve assembly, 200 bar [2900 psi]	1
23	M150	06-06		11147961	SCR valve assembly, 230 bar [3335 psi]	1
25	M150	06-06		11147962	SCR valve assembly, 250 bar [3625 psi]	1
28	M150	06-06		11147964	SCR valve assembly, 280 bar [4061 psi]	1
30	M150	06-06		11147965	SCR valve assembly, 300 bar [4350 psi]	1
33	M150	06-06		11147966	SCR valve assembly, 330 bar [4786 psi]	1
35	M150	06-06		11147967	SCR valve assembly, 350 bar [5075 psi]	1
38	M150	06-06		11147968	SCR valve assembly, 380 bar [5511 psi]	1
40	M150	06-06		11147969	SCR valve assembly, 400 bar [5800 psi]	1
41	M150	06-06		11147970	SCR valve assembly, 410 bar [5945 psi]	1
42	M150	06-06		11147971	SCR valve assembly, 420 bar [6090 psi]	1



Variable displacement pump

(13 - 42)



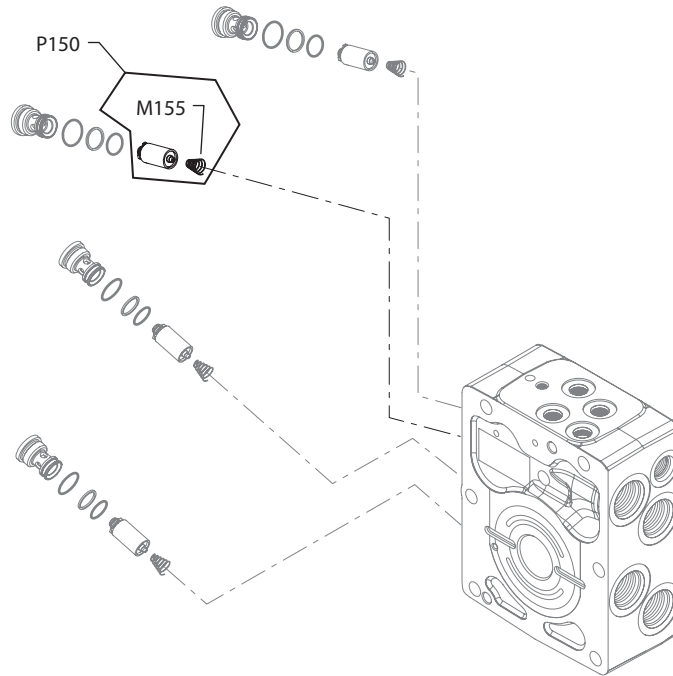

Variable displacement pump
High pressure setting parts, port B

Order Code	Item	Date Begin	Date End	Part Number	Part Name	Qty. per Model/Kit
all	M155	06-06		4800780	Spring	1
13	N150	06-06		11147957	SCR valve assembly, 130 bar [1885 psi]	1
15	N150	06-06		11147958	SCR valve assembly, 150 bar [2175 psi]	1
18	N150	06-06		11147959	SCR valve assembly, 180 bar [2610 psi]	1
20	N150	06-06		11147960	SCR valve assembly, 200 bar [2900 psi]	1
23	N150	06-06		11147961	SCR valve assembly, 230 bar [3335 psi]	1
25	N150	06-06		11147962	SCR valve assembly, 250 bar [3625 psi]	1
28	N150	06-06		11147964	SCR valve assembly, 280 bar [4061 psi]	1
30	N150	06-06		11147965	SCR valve assembly, 300 bar [4350 psi]	1
33	N150	06-06		11147966	SCR valve assembly, 330 bar [4786 psi]	1
35	N150	06-06		11147967	SCR valve assembly, 350 bar [5075 psi]	1
38	N150	06-06		11147968	SCR valve assembly, 380 bar [5511 psi]	1
40	N150	06-06		11147969	SCR valve assembly, 400 bar [5800 psi]	1
41	N150	06-06		11147970	SCR valve assembly, 410 bar [5945 psi]	1
42	N150	06-06		11147971	SCR valve assembly, 420 bar [6090 psi]	1



Variable displacement pump

(13 - 42)



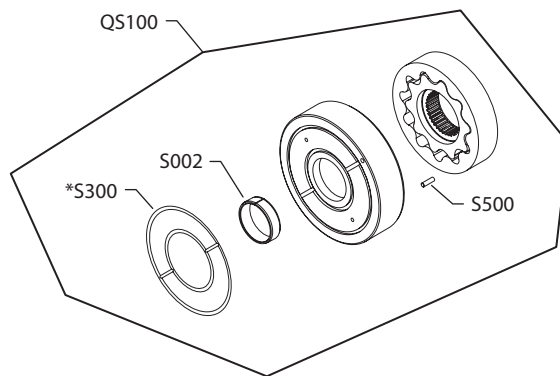
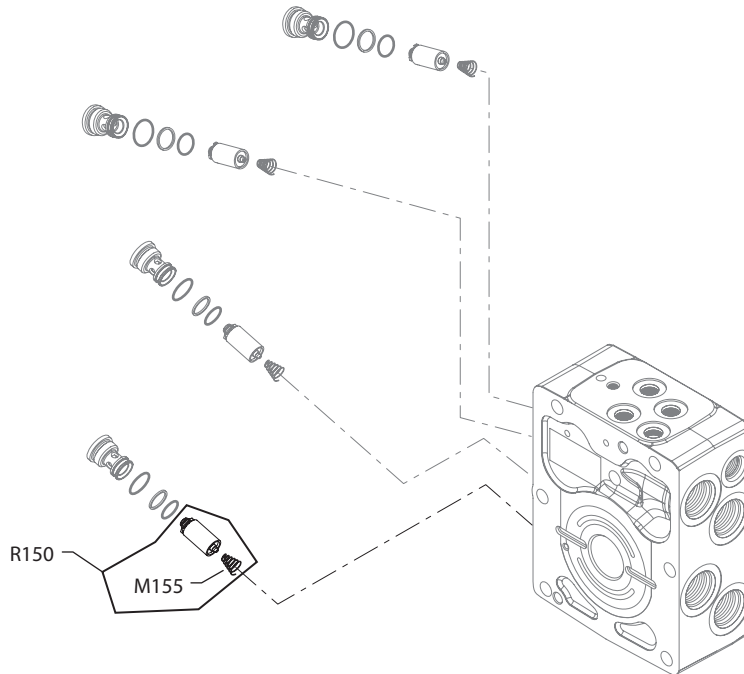

Variable displacement pump
High pressure setting parts, port C

Order Code	Item	Date Begin	Date End	Part Number	Part Name	Qty. per Model/Kit
all	M155	06-06		4800780	Spring	1
13	P150	06-06		11147957	SCR valve assembly, 130 bar [1885 psi]	1
15	P150	06-06		11147958	SCR valve assembly, 150 bar [2175 psi]	1
18	P150	06-06		11147959	SCR valve assembly, 180 bar [2610 psi]	1
20	P150	06-06		11147960	SCR valve assembly, 200 bar [2900 psi]	1
23	P150	06-06		11147961	SCR valve assembly, 230 bar [3335 psi]	1
25	P150	06-06		11147962	SCR valve assembly, 250 bar [3625 psi]	1
28	P150	06-06		11147964	SCR valve assembly, 280 bar [4061 psi]	1
30	P150	06-06		11147965	SCR valve assembly, 300 bar [4350 psi]	1
33	P150	06-06		11147966	SCR valve assembly, 330 bar [4786 psi]	1
35	P150	06-06		11147967	SCR valve assembly, 350 bar [5075 psi]	1
38	P150	06-06		11147968	SCR valve assembly, 380 bar [5511 psi]	1
40	P150	06-06		11147969	SCR valve assembly, 400 bar [5800 psi]	1
41	P150	06-06		11147970	SCR valve assembly, 410 bar [5945 psi]	1
42	P150	06-06		11147971	SCR valve assembly, 420 bar [6090 psi]	1



Variable displacement pump

(13 - 42)



E100 754E

* = included in overhaul seal kit Q210


Variable displacement pump
High pressure setting parts, port D

Order Code	Item	Date Begin	Date End	Part Number	Part Name	Qty. per Model/Kit
all	R155	06-06		4800780	Spring	1
13	R150	06-06		11147957	SCR valve assembly, 130 bar [1885 psi]	1
15	R150	06-06		11147958	SCR valve assembly, 150 bar [2175 psi]	1
18	R150	06-06		11147959	SCR valve assembly, 180 bar [2610 psi]	1
20	R150	06-06		11147960	SCR valve assembly, 200 bar [2900 psi]	1
23	R150	06-06		11147961	SCR valve assembly, 230 bar [3335 psi]	1
25	R150	06-06		11147962	SCR valve assembly, 250 bar [3625 psi]	1
28	R150	06-06		11147964	SCR valve assembly, 280 bar [4061 psi]	1
30	R150	06-06		11147965	SCR valve assembly, 300 bar [4350 psi]	1
33	R150	06-06		11147966	SCR valve assembly, 330 bar [4786 psi]	1
35	R150	06-06		11147967	SCR valve assembly, 350 bar [5075 psi]	1
38	R150	06-06		11147968	SCR valve assembly, 380 bar [5511 psi]	1
40	R150	06-06		11147969	SCR valve assembly, 400 bar [5800 psi]	1
41	R150	06-06		11147970	SCR valve assembly, 410 bar [5945 psi]	1
42	R150	06-06		11147971	SCR valve assembly, 420 bar [6090 psi]	1

Charge pump

M	QS100	08-28		11134475	Charge pump kit, 24cc, H1T	1
	S002	08-28		11046637	Journal bearing	1
	S300	08-28		11045128	Charge pump cover seal	1
	S500	08-28		9004800-1508	Pin	1
N		06-06		None		

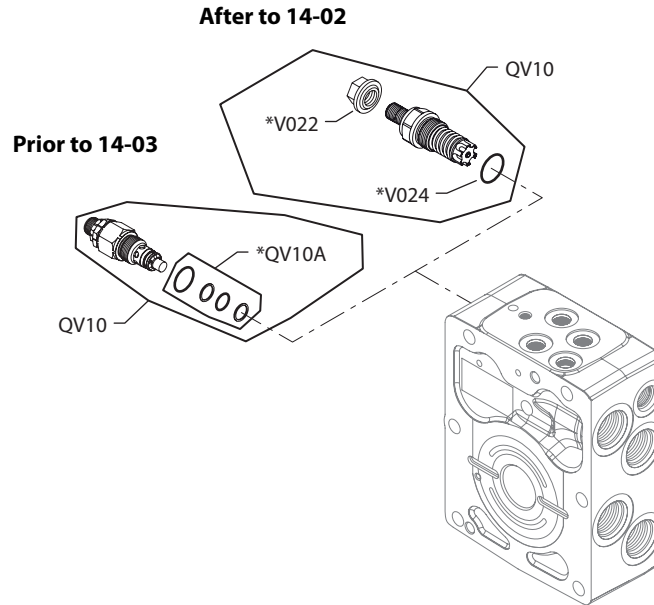
Filtration

P		06-06		None		
---	--	-------	--	------	--	--



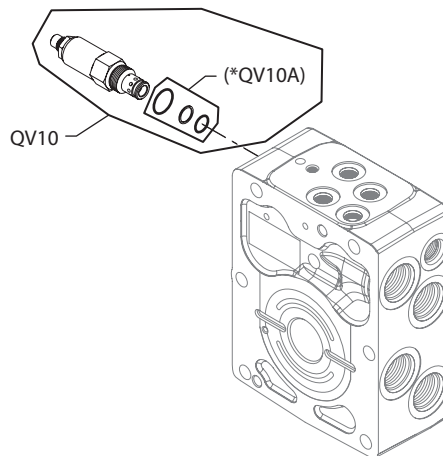
Variable displacement pump

(20-34)



(BB-CK)

Prior to 14-03



E100 756E

* = included in overhaul seal kit Q210
 () = not available individually


Variable displacement pump
Charge pressure relief setting

Order Code	Item	Date Begin	Date End	Part Number	Part Name	Qty. per Model/Kit
20	QV10	14-03		11131205	Charge relief valve kit, 20 bar (SB-2015-030)	1
	QV10	06-06	14-02	4510480	Charge relief valve kit, 20 bar	1
	QV10A	06-06	14-02	141857	Charge pressure relief seal kit	1
	V022	14-03		066159	Seal nut, M12	1
	V024	14-03		001149 (9004201-6200)	O-ring	1
22	QV10	14-03		11131205	Charge relief valve kit, 22 bar (SB-2015-030)	1
	QV10	06-06	14-02	4510480	Charge relief valve kit, 22 bar	1
	QV10A	06-06	14-02	141857	Charge pressure relief seal kit	1
	V022	14-03		066159	Seal nut, M12	1
	V024	14-03		001149 (9004201-6200)	O-ring	1
24	QV10	14-03		11131205	Charge relief valve kit, 24 bar (SB-2015-030)	1
	QV10	06-06	14-02	4510480	Charge relief valve kit, 24 bar	1
	QV10A	06-06	14-02	141857	Charge pressure relief seal kit	1
	V022	14-03		066159	Seal nut, M12	1
	V024	14-03		001149 (9004201-6200)	O-ring	1
26	QV10	14-03		11131205	Charge relief valve kit, 26 bar (SB-2015-030)	1
	QV10	06-06	14-02	4510480	Charge relief valve kit, 26 bar	1
	QV10A	06-06	14-02	141857	Charge pressure relief seal kit	1
	V022	14-03		066159	Seal nut, M12	1
	V024	14-03		001149 (9004201-6200)	O-ring	1
28	QV10	14-03		11131205	Charge relief valve kit, 28 bar (SB-2015-030)	1
	QV10	06-06	14-02	4510480	Charge relief valve kit, 28 bar	1
	QV10A	06-06	14-02	141857	Charge pressure relief seal kit	1
	V022	14-03		066159	Seal nut, M12	1
	V024	14-03		001149 (9004201-6200)	O-ring	1
30	QV10	14-03		11131205	Charge relief valve kit, 30 bar (SB-2015-030)	1
	QV10	06-06	14-02	4510480	Charge relief valve kit, 30 bar	1
	QV10A	06-06	14-02	141857	Charge pressure relief seal kit	1
	V022	14-03		066159	Seal nut, M12	1
	V024	14-03		001149 (9004201-6200)	O-ring	1
32	QV10	14-03		11131205	Charge relief valve kit, 32 bar (SB-2015-030)	1
	QV10	06-06	14-02	4510480	Charge relief valve kit, 32 bar	1
	QV10A	06-06	14-02	141857	Charge pressure relief seal kit	1
	V022	14-03		066159	Seal nut, M12	1
	V024	14-03		001149 (9004201-6200)	O-ring	1
34	QV10	14-03		11131205	Charge relief valve kit, 34 bar	1
	V022	14-03		066159	Seal nut, M12	1
	V024	14-03		001149 (9004201-6200)	O-ring	1
BB-CK	QV10	06-06	14-02	4510482	Charge relief valve kit, 22 bar, low rise-rate	1
	QV10A	06-06		not sold individually	Charge pressure relief valve seal kit	1


Variable displacement pump
Overhaul seal kit

Order Code	Item	Date Begin	Date End	Part Number	Part Name	Qty. per Model/Kit
	Q210	06-06		11178404	Overhaul seal kit, H1 tandem	1
	D060	06-06		9003508-0008	Seal nut, M8 x 1	2
	D150	06-06		11173377	Control gasket, H1	1
	D151	06-06		11173377	Control gasket, H1	1
	E020	06-06		5000732	O-ring, 45.47 x 1.78, nitrile	4
	E025	06-06		11028034	Piston seal ring	4
	E250	06-06		5000709	O-ring, 56.82 x 2.62, viton	4
	E500	06-06		505412 (9003509-0008)	Seal nut, M8 x 1.25, coarse thread	1
	E501	06-06		505412 (9003509-0008)	Seal nut, M8 x 1.25, coarse thread	1
	E550	06-06		505412 (9003509-0008)	Seal nut, M8 x 1.25, coarse thread	1
	E551	06-06		505412 (9003509-0008)	Seal nut, M8 x 1.25, coarse thread	1
	G150	06-06		141504	End cap gasket	2
	J250	06-06		141936	Lip seal	1
	J260	06-06		9004104-2310	O-ring, 66.27 x 3.53, viton	1
	K006	06-06		9004105-0130	O-ring, 4.26 x .070, viton	4
	K008	06-06		001149 (9004201-6200)	O-ring, 19.18 x 2.46, nitrile	4
	K009	06-06		018481 (9006110-0160)	Back up ring, 1.37 x 16.33, teflon	4
	K010	06-06		5000090 (9004105-0160)	O-ring, 15.60 x 1.78, viton	4
	K150	06-06		9004104-1540	O-ring, .103 x 3.737 FKM/viton, 75D	1
	K151	06-06		11032691	Charge pump gasket	1
	QD26	06-06		11001952	O-ring, 18.00 x 1.50, viton	2
	QD26R	06-06		11001952	O-ring, 18.00 x 1.50, viton	2
	QD751	06-06		001131 (9004201-5000)	O-ring, 0.087 x .644, nitrile, 90D	2
	QG10A	06-06		354003719	Cartridge seal kit	1
	QH131	06-06		11013397	O-ring, 15.60 x 1.78 viton, 80D	1
	QV10A	06-06		141857	Charge pressure relief valve seal kit	1
	QV10A	06-06		not sold individually	Charge pressure relief valve seal kit	1
	S300	08-28		11045128	Charge pump cover seal	1
	V022	14-03		066159	Seal nut	1
	V024	14-03		001149 (9004201-6200)	O-ring, 19.18 x 2.46, nitrile	1

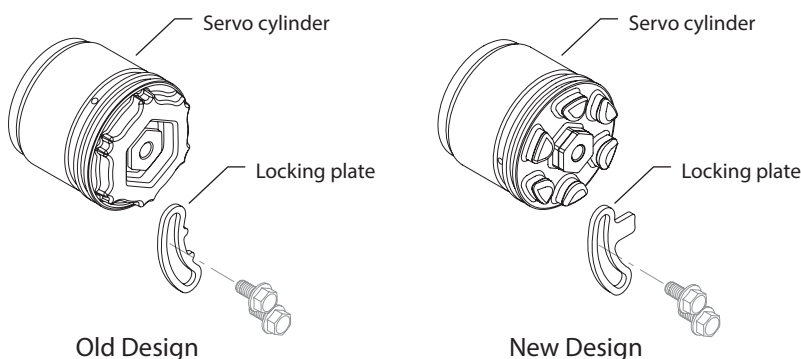


Service Bulletin: SB-2007-004

Products affected H1 45 and 53cc pumps

Subject Servo cylinder and locking plate change

Description As a product improvement, Sauer-Danfoss has changed the servo cylinder and locking plate. The old servo cylinder locking plate wasn't strong enough to hold the servo cylinder while tightening the seal nut on the displacement limiters. The new servo cylinder has a larger locking area to allow for a larger locking plate tab for added strength. The old servo cylinders are obsolete and no longer available for service. The old locking plate will remain available for repair. The new and old designs are interchangeable.



Models affected All H1 45 and 53cc pumps.

Serial numbers This change became effective at serial number A-07-23-xxxxx for adjustable servo cylinders and at serial number A-07-30-xxxxx for non-adjustable servo cylinders.

Part numbers affected

Description	Old part number	New part number
Servo cylinder, non-adjustable	142040	11013883
Servo cylinder, adjustable	142041	11015561
Locking plate	141940	11013910

Parts disposition ■ Interchangeable

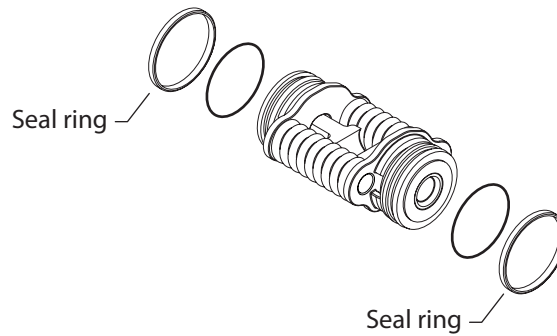


Service Bulletin: SB-2007-026

Products affected H1 45 and 53cc single and tandem pumps

Subject Servo piston seal ring

Description As a product improvement, Sauer-Danfoss has changed the servo piston seal rings. The new and old seal rings are interchangeable. The old servo piston seal ring and assembly are obsolete and no longer available for service. A new servo piston assembly has been created.



Models affected All H1 45 and 53cc single and tandem pumps.

Serial numbers This change became effective at serial number A-07-44-xxxxx.

Part numbers affected

Description	Old part number	New part number
Servo piston	141965	11016260
Nested servo piston	141730	11016261
Seal ring	141962	11028034

Parts disposition ■ Interchangeable



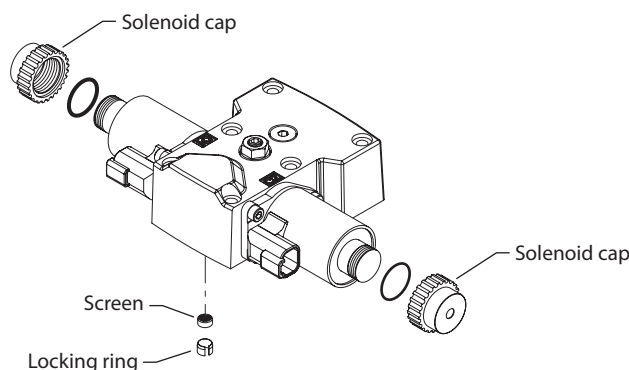
Service Bulletin: SB-2007-033

Products affected H1 pumps

Subject Control solenoid nut and screen locking ring

Description As a product improvement, Sauer-Danfoss changed the design of the EDC solenoids to avoid potential corrosion by changing the nut that holds the coil on the solenoid tube. The new nut has a closed cap design, which eliminates the potential of moisture to ingress past the solenoid tube threads. The new EDC and nut are functionally and physically interchangeable in all applications.

A locking ring was also added to the controls. The locking ring will prevent the screen from falling out of the control during installation to the pump. The new locking ring can not be used in older style controls as the port is not drilled deep enough.



Models affected All H1 147 and 165cc pumps.

Serial numbers Locking ring and solenoid nut.

Option	45/53cc	78cc	147/165cc
A2	08-11-xxxxx	07-50-xxxxx	07-50-xxxxx
A3	08-11-xxxxx	07-50-xxxxx	07-50-xxxxx
A6	08-11-xxxxx	07-50-xxxxx	07-50-xxxxx
C1		07-39-xxxxx	07-39-xxxxx

Locking ring only

Option	45/53cc	78cc	147/165cc
A4	08-11-xxxxx	08-16-xxxxx	08-16-xxxxx
A5	08-11-xxxxx	08-16-xxxxx	08-16-xxxxx

Part numbers affected

Description	Part number
Locking ring	11012505

Parts disposition

- Interchangeable
- Use parts in stock



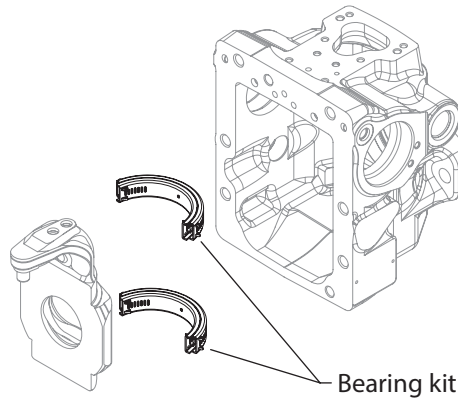
Service Bulletin: SB-2010-020

Products affected H1, 45cc and 53cc pumps and tandem pumps

Subject Swashplate bearing change

Description The supplier has changed for the swashplate bearing kits used in the H1, 45cc and 53cc pumps and tandem pumps. New part numbers have been assigned for tracking purposes.

The old swashplate bearing kits and the new swashplate bearing kits are interchangeable. The old swashplate bearing kits are obsolete and no longer available for service.



Models affected All H1, 45 and 53cc pumps and tandem pumps.

Serial numbers This change became effective at serial number: A-10-41-XXXXX (11-Oct-2010)

Part numbers affected

Description	Old part number	New part number
Swashplate bearing kit	4510465	11085533

- Parts disposition**
- Interchangeable - only new for old, but not old bearing for new
 - Scrap used parts
 - Order replacement parts
 - Revise existing part orders



Service Bulletin: SB-2011-020

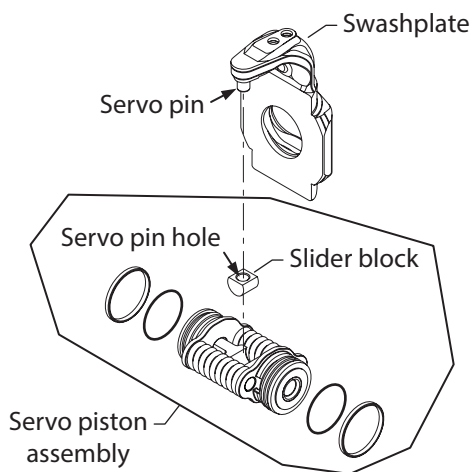
Products affected H1 45 and 53cc pumps

Subject Swashplate change

Description This is a design change for H1 45 and 53cc pumps replacing the forged swashplate which has an 11mm diameter servo pin with a cast swashplate which, has a 13mm diameter servo pin. The servo slider block will also change to accommodate the new pin diameter. The old swashplate is interchangeable with the new swashplate, if the new slider block is also used.

A swashplate replacement kit with a 13mm slider block was created for service. Servo piston assembly replacement kits have also been created. These kits contain both 10mm and 13mm slider blocks to accommodate old or new swashplate.

The old swashplate and servo piston assemblies are obsolete and no longer available. The old slider block will remain available.



Models affected H1 45 and 53cc pumps

Serial numbers This change became effective at serial number A-12-21-105568 (20-May-2012).

Part numbers affected

Description	Old part number	New part number	Replacement kit
Slider block	141939	11141987	none
Swashplate	11068797	11068328	11098280
Servo piston assembly	11016260	11094107	11098278
Servo piston assy, nested	11016261	11094283	11098279

Parts disposition ■ Non-interchangeable



Service Bulletin: SB-2013-021

Products affected

H1 45/53cc Tandems

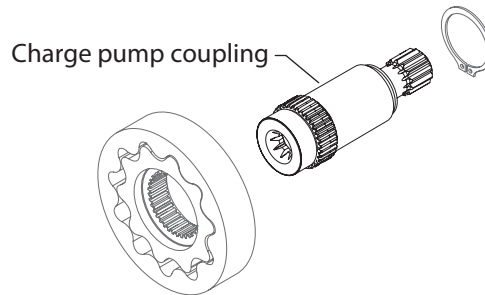
Subject

Charge pump coupling

Description

Sauer-Danfoss has made a product improvement to the charge pump coupling on H1 45/53cc tandems. The lead in chamfer has been decreased to improve the spline engagement.

The new part is interchangeable with the old part. The old part number will become obsolete.



Models affected

H1 45/53cc Tandems

Serial numbers

This change became effective at serial number: A-13-32-xxxxx (04Aug2013)

Part numbers affected

Description	Old part number	New part number
Coupling- charge pump 9T	11028500	11131961
Coupling- charge pump 11T	11028501	11131962
Coupling- charge pump 13T	11028522	11131963

Parts disposition

- Interchangeable
- Used parts in stock



Service Bulletin: SB-2015-030

Products affected

H1 45/53cc Tandem pumps

Subject

Center section and charge relief valve change

Description

Changes have been made to the center section casting, the charge relief valve and the nomenclature on 045/053cc H1 tandem pumps. The center section casting redesign changes the appearance of the casting, but there are no changes to the overall size and port locations.

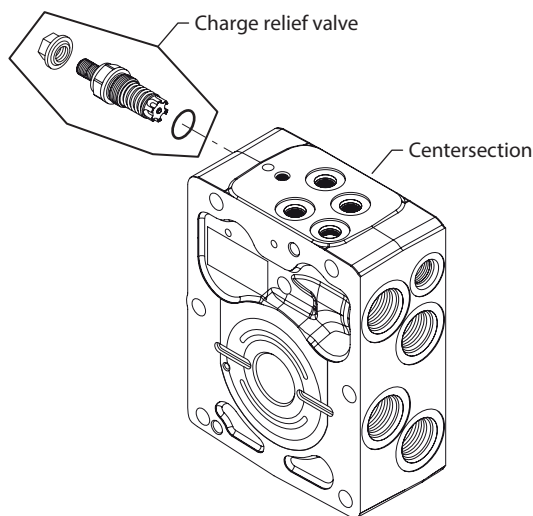
A new valve (GENIII) replaces the current charge pressure relief valve. It is smaller and has a slightly different rise rate.

The new center sections and charge relief valves are not interchangeable with the old ones. Kits contain the new center section and relief valve.

As part of these changes a nomenclature change has been incorporated. The changes do not affect the model number. The current two letter designation will change to a two number designation. (See tables below)

Table listing the nomenclature option changes:

BK to 20	BH to 28
BB to 22	CK to 30
BD to 24	CB to 32
BF to 26	CD to 34



Models affected

H1 45/53cc Tandem pumps

Serial numbers

This change became effective at serial number: A-14-02-22472 (10 Jan 2014)

Part numbers affected

Description	Old part number	New part number	Replacement kit
Centersection assy, w/control CO	11013552	11142891	11131189
Centersection assy	11033605	11142892	11131191
Centersection assy, special	11054421	11142893	11131202
CPRV assy, H1P 24-32 bar	4510480	11131205	N/A
CPRV assy, 34 bar (V034)	4510482	11131205	N/A

Parts disposition

- Interchangeable
- Used parts in stock



Products we offer:

- Bent Axis Motors
- Closed Circuit Axial Piston Pumps and Motors
- Displays
- Electrohydraulic Power Steering
- Electrohydraulics
- Hydraulic Power Steering
- Integrated Systems
- Joysticks and Control Handles
- Microcontrollers and Software
- Open Circuit Axial Piston Pumps
- Orbital Motors
- PLUS+1® GUIDE
- Proportional Valves
- Sensors
- Steering
- Transit Mixer Drives

Danfoss Power Solutions is a global manufacturer and supplier of high-quality hydraulic and electronic components. We specialize in providing state-of-the-art technology and solutions that excel in the harsh operating conditions of the mobile off-highway market. Building on our extensive applications expertise, we work closely with our customers to ensure exceptional performance for a broad range of off-highway vehicles.

We help OEMs around the world speed up system development, reduce costs and bring vehicles to market faster.

Danfoss – Your Strongest Partner in Mobile Hydraulics.

Go to www.powersolutions.danfoss.com for further product information.

Wherever off-highway vehicles are at work, so is Danfoss.

We offer expert worldwide support for our customers, ensuring the best possible solutions for outstanding performance. And with an extensive network of Global Service Partners, we also provide comprehensive global service for all of our components.

Please contact the Danfoss Power Solution representative nearest you.

Comatrol

www.comatrol.com

Turolla

www.turollaocg.com

Hydro-Gear

www.hydro-gear.com

Daikin-Sauer-Danfoss

www.daikin-sauer-danfoss.com

Local address:

Danfoss Power Solutions US Company

2800 East 13th Street
Ames, IA 50010, USA
Phone: +1 515 239 6000

Danfoss Power Solutions GmbH & Co. OHG

Krokamp 35
D-24539 Neumünster, Germany
Phone: +49 4321 871 0

Danfoss Power Solutions ApS

Nordborgvej 81
DK-6430 Nordborg, Denmark
Phone: +45 7488 2222

Danfoss Power Solutions

22F, Block C, Yishan Rd
Shanghai 200233, China
Phone: +86 21 3418 5200

Danfoss can accept no responsibility for possible errors in catalogues, brochures and other printed material. Danfoss reserves the right to alter its products without notice. This also applies to products already on order provided that such alterations can be made without subsequential changes being necessary in specifications already agreed. All trademarks in this material are property of the respective companies. Danfoss and the Danfoss logotype are trademarks of Danfoss A/S. All rights reserved.