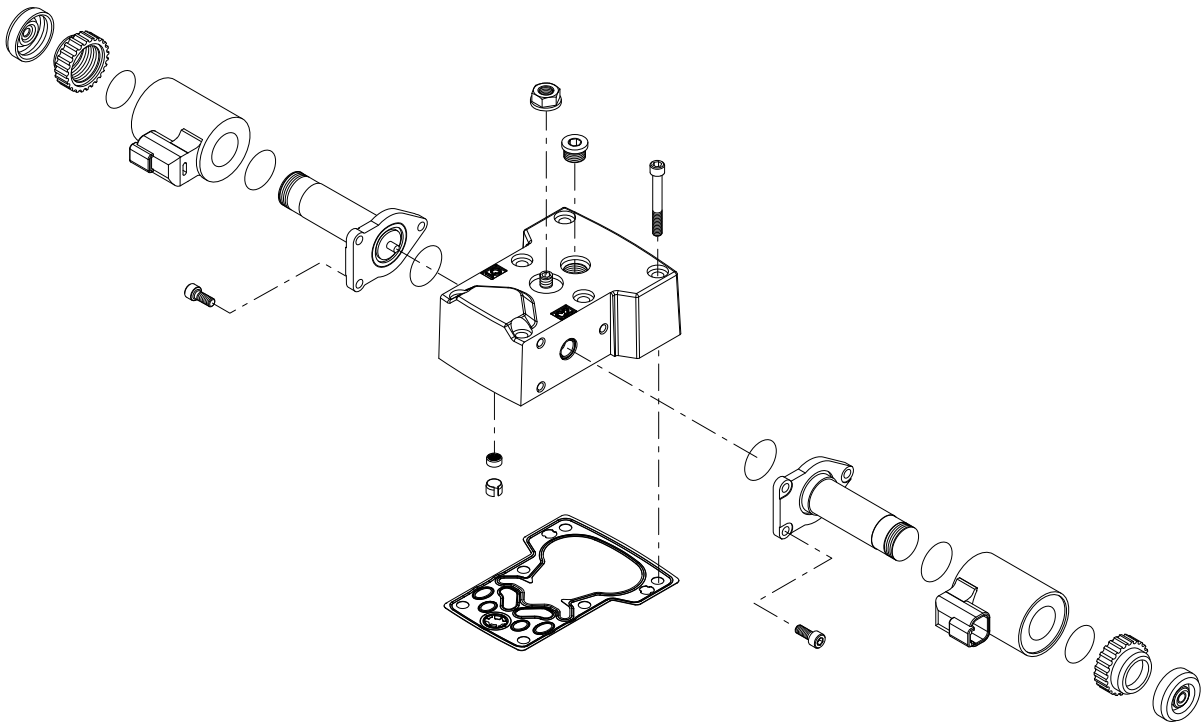


Parts Manual

Variable Displacement Pump

H1P 60 and 68cc



Revision history

Table of revisions

Date	Changed	Rev
February 2019	Added various new options	0403
November 2018	Updated to Engineering Tomorrow design	0402

Contents

General information

Service Parts Identification.....	5
Nameplate.....	5
Date code.....	6
About service bulletins.....	6
Procedure to identify a part.....	7
Regional part numbers.....	7
Example of a part identification (H1P 60).....	7
Adobe Acrobat 2-page viewing.....	8
Order code.....	9

Common parts and special hardware

Special hardware H1-PN.....	10
-----------------------------	----

Controls

Control A2, A3.....	14
Control A4, A5.....	16
Control A6.....	18
Control A7.....	20
Control A8.....	22
Control A9, B1.....	24
Control B5.....	26
Control B7.....	28
Control B8.....	30
Control B9.....	32
Control C1.....	34
Control C2.....	36
Control C3.....	38
Control E2.....	40
Control E5.....	42
Control E6, E7.....	44
Control E8.....	46
Control F1, F2.....	48
Control F4.....	50
Control G6.....	52
Control H2, H3.....	54
Control H6, H7.....	56
Control H8, H9.....	58
Control M1, M2.....	60
Control M3, M4.....	62
Control M5, M6.....	64
Control N1, N2.....	66
Control N3, N4.....	68
Control N5, N6.....	70
Control N7, N8.....	72
Control ND, NN.....	74
Control P5.....	76
Control P6, P7.....	78
Control P8, P9.....	80
Control R3.....	82
Control R4.....	84
Control R5.....	86
Control T6, T7.....	88
Control T8, T9.....	90

Displacement limitation

Displacement limitation B-N.....	92
----------------------------------	----

Orifice

Orifice C1-E1.....	96
--------------------	----

Contents

End cap

End cap D3, D6.....	100
End cap D8, F4.....	102
End cap F5, F6.....	104
End cap G9.....	106

Housing and shafts

Housing H, K.....	108
Shaft E1-G1.....	110

Auxiliary mounting

Auxiliary mounting H1-H6.....	112
Auxiliary mounting H9, NN.....	114

High pressure settings

Port A.....	116
High pressure setting F01-F07.....	116
High pressure setting K18-K48.....	118
High pressure setting L15-L48.....	122
Port B.....	126
High pressure setting F01-F07.....	126
High pressure setting K18-K48.....	128
High pressure setting L15-L48.....	132

Charge pump, filtration and charge pressure relief

Charge pump C-N.....	136
Filtration and charge pressure relief.....	138

Overhaul seal kit

Seal kit.....	140
---------------	-----

Service bulletin

SB-2009-007.....	141
SB-2013-019.....	143
SB-2015-035.....	144
SB-2016-028.....	146
SB-2016-033.....	147
SB-2016-034.....	148
SB-2018-025.....	149

General information

Service Parts Identification

The following information and procedure is used to identify the module group, item number, manufacture date, part number, and part name of the parts included in the

The parts listed include all parts which may be used when performing either "Minor Repairs", "Major Repairs" or "Conversions" on the H1P 60/68.

Nameplate

Each unit will have a nameplate affixed to the housing. The nameplate will include the following information:

Model Code

The Danfoss model code completely defines the specific unit and must be used when ordering parts to service this product.

Model Number

The Danfoss model number is used by the factory in manufacturing. On repeat orders, a complete unit can be ordered by the model number.

Serial Number

The Danfoss serial number is used to identify the manufacture date and the unit sequence in the build. The serial number is also used to identify the units warranty time period.

The letter code indicates the location of original manufacture (assembly).

The first number (2 digits) indicates the year of manufacture. The second number (2 digits) indicates the calendar week of manufacture.

The third number (5 digits) is a sequential number used to identify a specific unit.



General information

Date code

The date code is defined as the year and week of manufacture. The same item number may list more than one part number. This indicates that there is more than one configuration for that item number. You will see that there are different date codes for the different part numbers. Find the date code of your unit from the nameplate to determine which service part number you need to order.

Example: The service part desired is item G30

Order Code	Item	Date Begin	Date End	Part Number	Part Name	Qty. per Model/Kit
80	G30	89-17		8000243	End cap gasket	1
	G30		89-16	8000151	End cap gasket (SB-1995-006)	1

All units using this order code with a date code prior to 89-17 must use part number "8000151." All units with a date code of 89-17 and newer must use part number "8000243."

About service bulletins

A Service Bulletin Number (SB-____ - ____) may follow the "Part Name" of the part you desire. You must read that Service Bulletin prior to ordering that part. The information contained in these Service Bulletins, as of the print date of this bulletin, are included at the end of this manual. Service Bulletins contain more detailed information such as interchangeability, what additional parts are involved, etc. It is suggested that you add additional Service Bulletins to this manual as you receive them.

General information

Procedure to identify a part

The modular design of this product results in a simplified service parts list and part number identification procedure.

The same item numbers are used for same part names on all units within a product type. A part number that has another number following it in parentheses is done to make this a world wide manual.

Regional part numbers

Some part numbers are region specific and should be ordered accordingly.

As an example, the part number (example: 314583 (9008000-0118)) will be used. The first number is sold in Germany. The number in parentheses is sold in the United States. Customers would order 9008000-0118 if ordering the part in the United States.

Example of a part identification (H1P 60)

The nameplate on an H1 pump has an Order Code of H1P60 L A A4 C2 N D8 H G1 NN L 43 L 43 F P 24 NN NNN NNN. The following procedures will explain how to determine the part number of the drive shaft used on this pump as an example.

1. Refer to the input shaft module (see [Order code](#) on page 9 and find the order code.
The order code for the input shaft module is "G1" (H1P60 L A A4 C2 N D8 H **G1** NN L 43 L 43 F P 24 NN NNN NNN)
2. In the service parts list, find the shaft group and the order code that relates to this unit (G1).

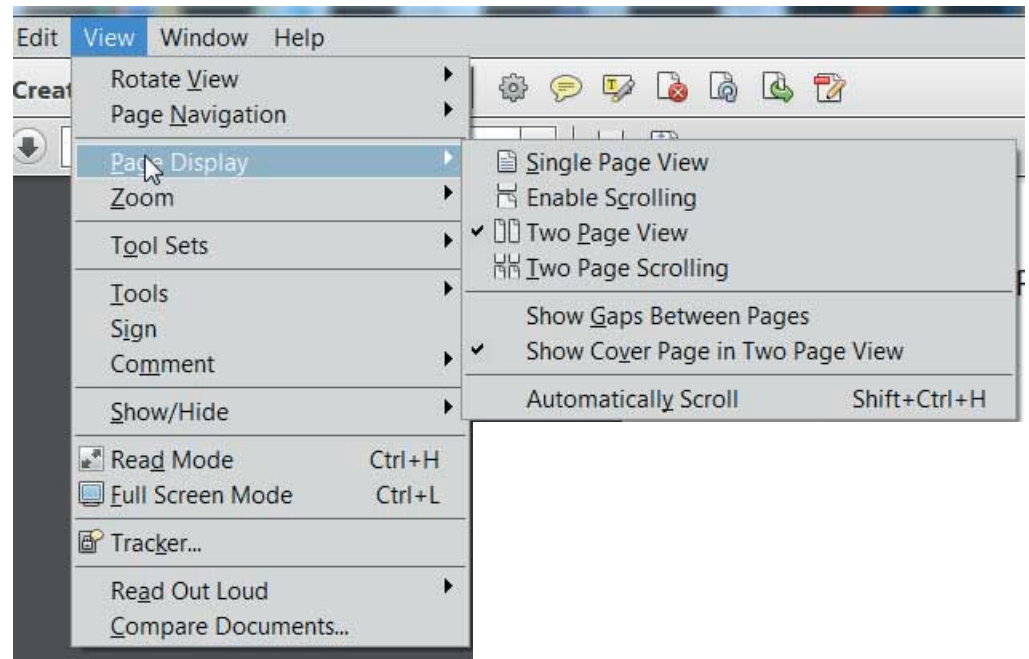
The shaft is found to be item J100 and part number 11038238.

General information

Adobe Acrobat 2-page viewing

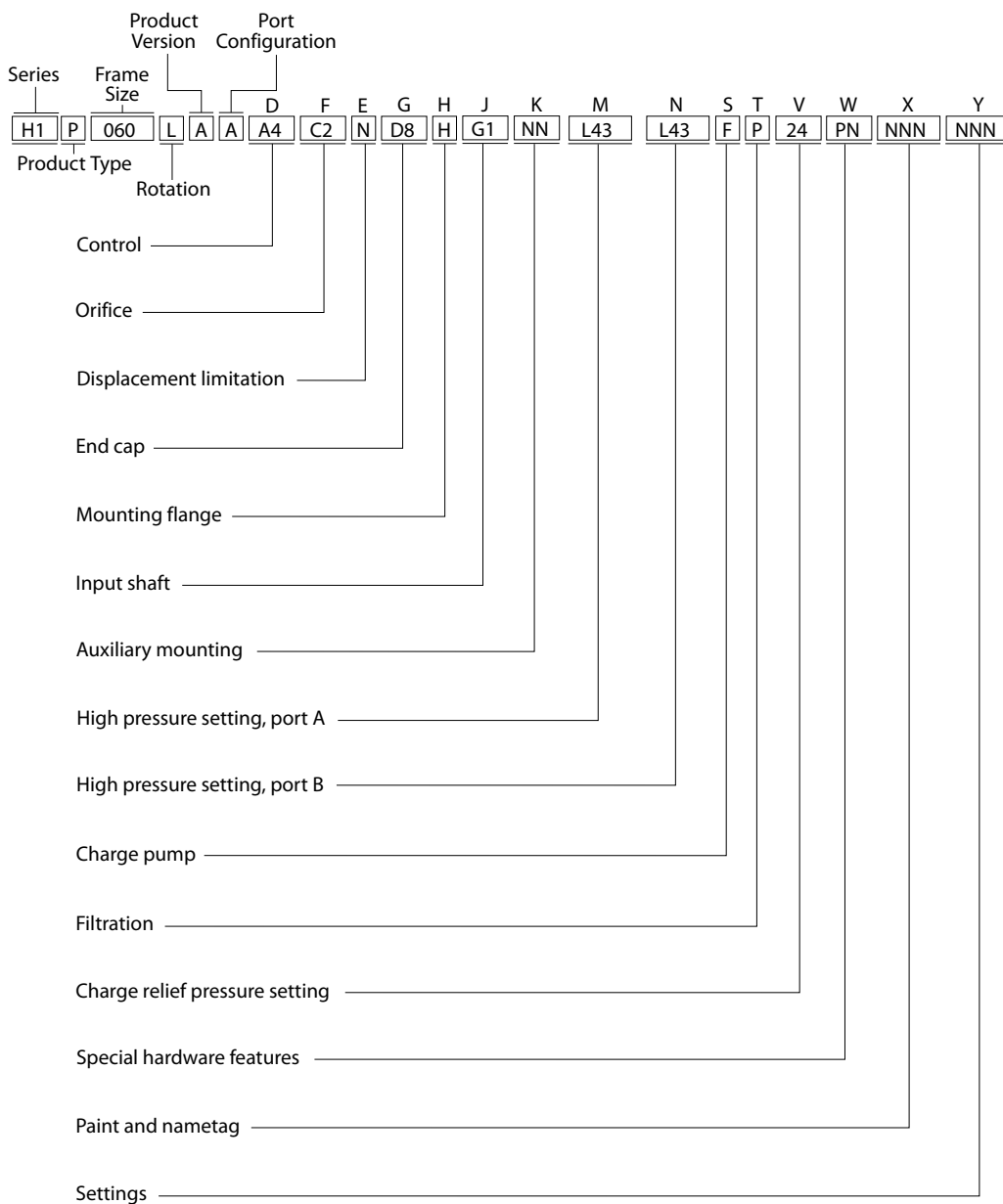
While viewing manual in Adobe Acrobat, the following settings need to be applied to ensure proper page display.

1. Select "View" → "Page Display" → "Two Page View"
2. Select "View" → "Page Display" → "Show Cover Page in Two Page View"



General information

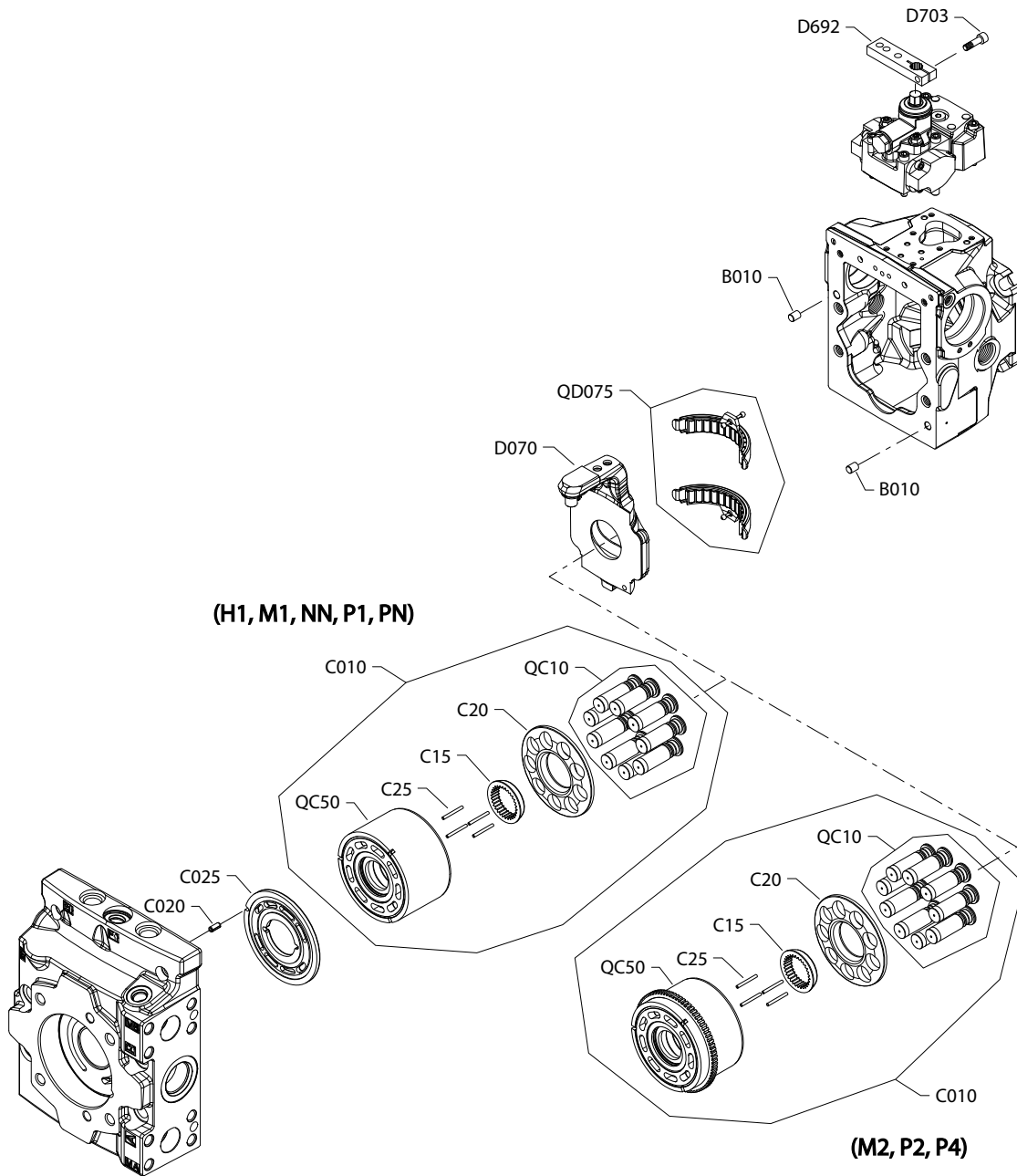
Order code



Common parts and special hardware

H1P 60/68 special hardware H1-PN and common parts

Parts configuration



Generic end cap, control and housing used to show part location only.

Common parts and special hardware

Common parts

Item	Date Begin	Date End	Part Number	Part Name	Qty. per Model/Kit
B010	10-48		5000757	Dowel pin	2
C020	10-48		9004700-1907	Valve plate pin	1
C025	10-48		11082840	Valve plate, CCW	1
C025	10-48		11081201	Valve plate, CW	1
C15	10-48		11033139	Slipper retainer guide	1
C20	10-48		11033140	Slipper retainer	1
C25	10-48		11040075	Slipper hold down pin	4
D070	10-48		11121000	Swashplate	1
QC10	10-48		11087709	Slipper/piston kit, 60 cc	1
QC10	10-48		11087710	Slipper/piston kit, 68 cc	1
QD075	10-48		11086555	Swashplate bearing kit	1

Special hardware

Order code: H1

C010	14-33		11050563	Cylinder block kit, 60 cc	1
C010	14-33		11033143	Cylinder block kit, 68 cc	1
D692	14-33		11185938	Control handle	1
D703	14-33		11173701	Screw, M6 x 20	1
QC50	14-33		11050267	Cylinder block assembly, 60 cc	1
QC50	14-33		11033144	Cylinder block assembly, 68 cc	1

Order code: P1 (replaced M1)

C010	10-48		11050563	Cylinder block kit, 60 cc	1
C010	10-48		11033143	Cylinder block kit, 68 cc	1
QC50	10-48		11050267	Cylinder block assembly, 60 cc	1
QC50	10-48		11033144	Cylinder block assembly, 68 cc	1

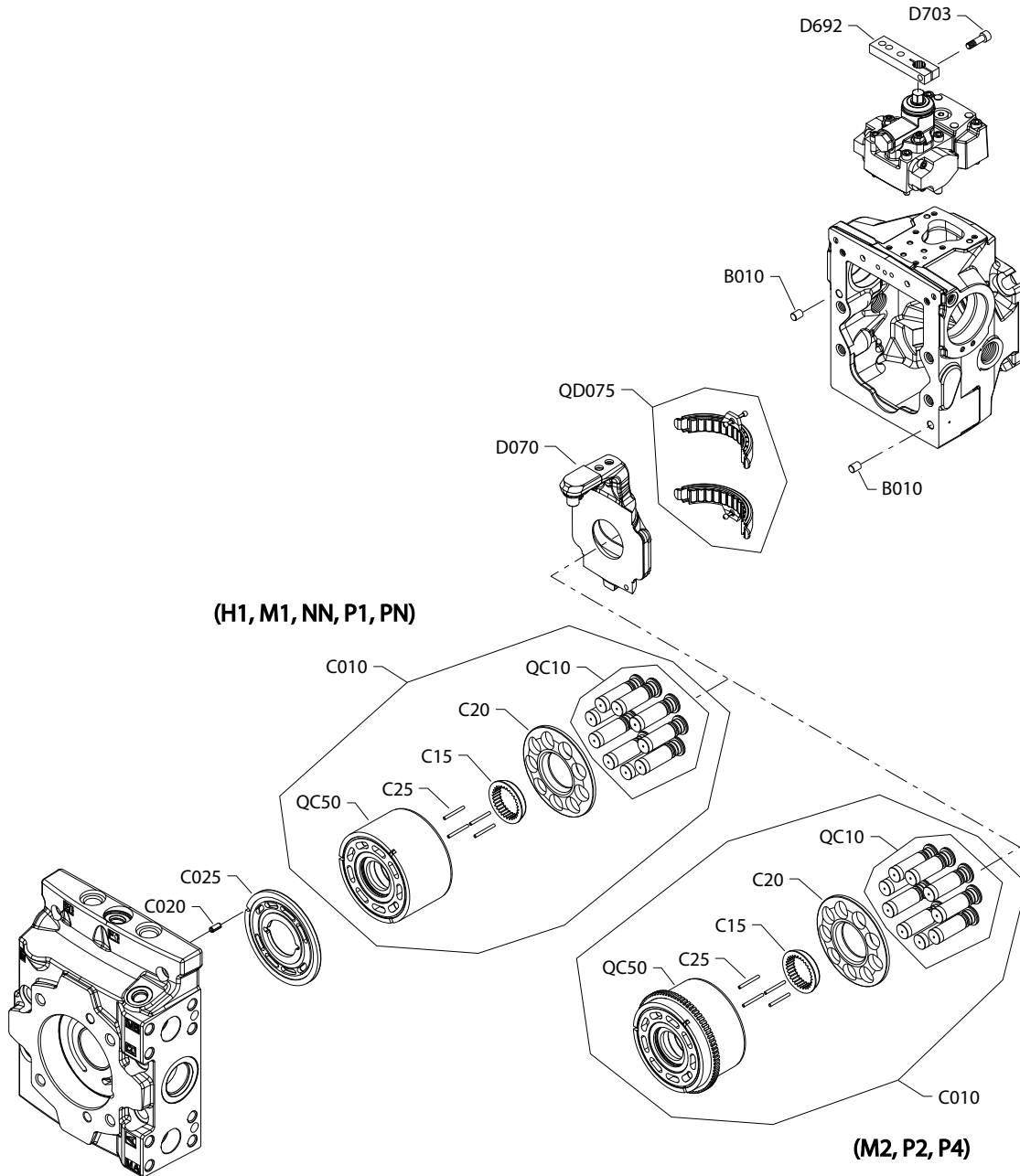
Order code: P2 (replaced M2)

C010	10-48		11050248	Cylinder block kit, 60 cc, with speed ring	1
C010	10-48		11050247	Cylinder block kit, 68 cc, with speed ring	1
QC50	10-48		11106174	Cylinder block assembly, 60 cc, with speed ring	1
QC50	10-48		11106175	Cylinder block assembly, 68 cc, with speed ring	1

[Parts continue to the next 2 pages](#)

Common parts and special hardware

Parts configuration



Generic end cap, control and housing used to show part location only.

Common parts and special hardware

Common parts

Item	Date Begin	Date End	Part Number	Part Name	Qty. per Model/Kit
B010	10-48		5000757	Dowel pin	2
C020	10-48		9004700-1907	Valve plate pin	1
C025	10-48		11082840	Valve plate, CCW	1
C025	10-48		11081201	Valve plate, CW	1
C15	10-48		11033139	Slipper retainer guide	1
C20	10-48		11033140	Slipper retainer	1
C25	10-48		11040075	Slipper hold down pin	4
D070	10-48		11121000	Swashplate	1
QC10	10-48		11087709	Slipper/piston kit, 60 cc	1
QC10	10-48		11087710	Slipper/piston kit, 68 cc	1
QD075	10-48		11086555	Swashplate bearing kit	1

Order code: P4

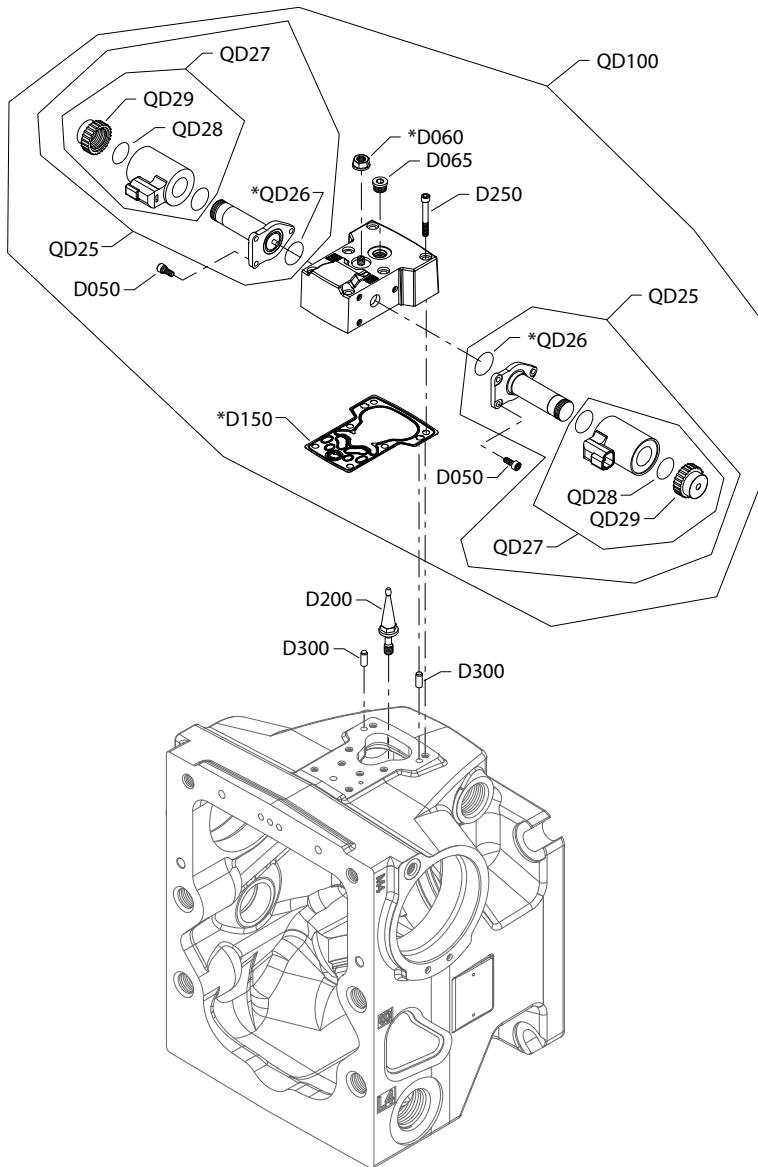
C010	13-18		11050248	Cylinder block kit, 60 cc, speed ring	1
C010	13-18		11050247	Cylinder block kit, 68 cc, speed ring	1
QC50	13-18		11106174	Cylinder block assembly, 60 cc, with speed ring	1
QC50	13-18		11106175	Cylinder block assembly, 68 cc, with speed ring	1

Order code: PN (replaced NN)

C010	10-48		11050563	Cylinder block kit, 60 cc	1
C010	10-48		11033143	Cylinder block kit, 68 cc	1
QC50	10-48		11050267	Cylinder block assembly, 60 cc	1
QC50	10-48		11033144	Cylinder block assembly, 68 cc	1

Controls

H1P control A2, A3



E100 912E

Generic housing shown.

* Included in overhaul seal kit Q210

Controls

Common parts

Item	Date Begin	Date End	Part Number	Part Name	Qty. per Model/Kit
D050	10-48		716860	Screw, M5 x 12	6
D060	10-48		612291 (9003508-0008)	Seal nut, M8	1
D065	10-48		327007	Plug assembly (SAE)	1
D150	10-48		11173377	Control gasket (SB-2016-033 on page 147)	1
D200	10-48		11202172	Swash plate feedback link (SB-2018-025 on page 149)	1
D250	10-48		505038	Screw, M6 x 45	6
D300	10-48		310979	Dowel pin	2
QD26	10-48		11001952	O-ring	2
QD28	10-48		063172	O-ring	2

Order code: A2

QD25	10-48		11012457	Proportional solenoid, 12v	2
QD27	10-48		11028018	Coil kit, 12v, DEUTSCH connector	2
QD29	10-48		11027046	Coil nut	2
QD100	10-48		11019680	EDC kit, 12v, DEUTSCH connector, fast	1

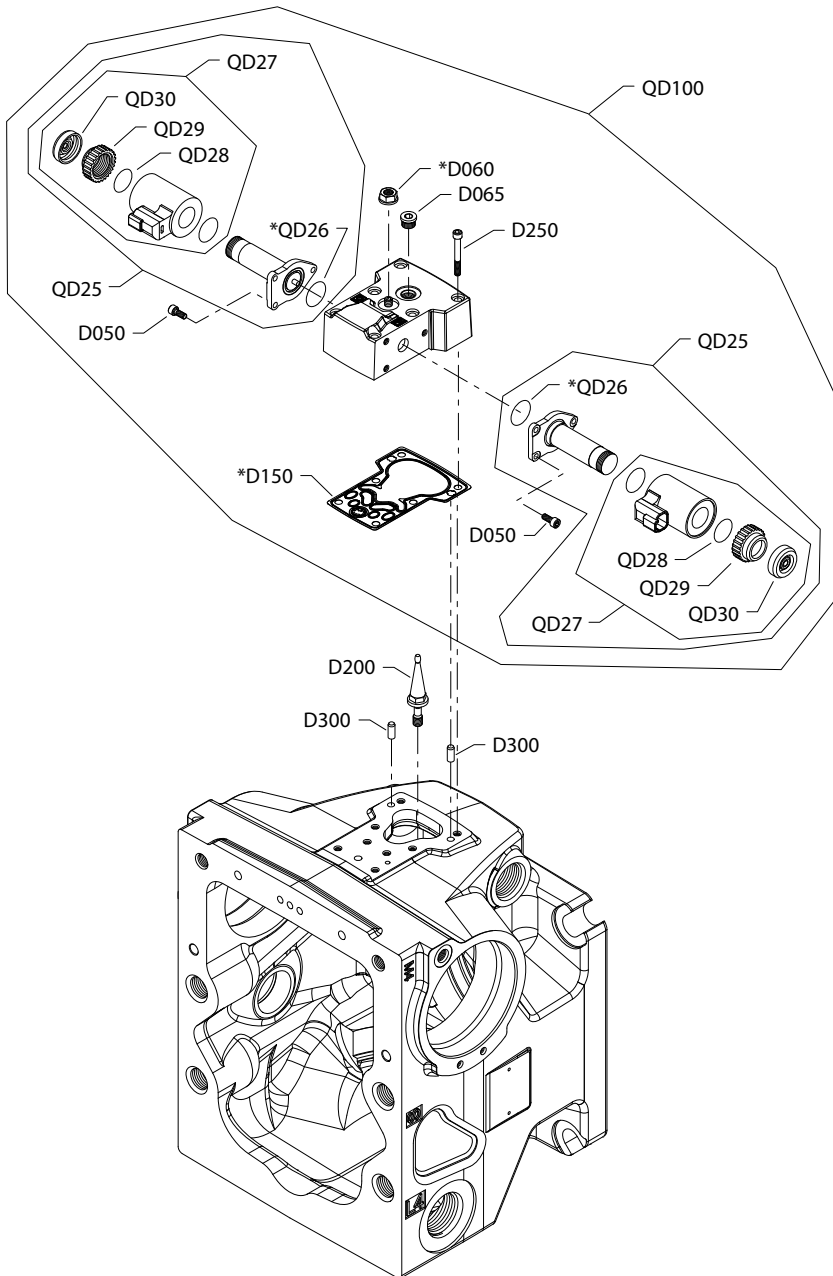
Order code: A3

QD25	10-48		11012459	Proportional solenoid, 24v	2
QD27	10-48		11028019	Coil kit, 24v, DEUTSCH connector	2
QD29	10-48		11028024	Coil nut	2
QD100	10-48		11019681	EDC kit, 24v, DEUTSCH connector, fast	1

Controls

H1P control A4, A5

A4 and A5 configuration



Generic housing shown.

* Included in overhaul seal kit Q210

Controls

Common parts

Item	Date Begin	Date End	Part Number	Part Name	Qty. per Model/Kit
D050	10-48		716860	Screw, M5 x 12	6
D060	10-48		612291 (9003508-0008)	Seal nut, M8	1
D065	10-48		327007	Plug assembly	1
D150	10-48		11173377	Control gasket (SB-2016-033 on page 147)	1
D200	10-48		11202172	Swash plate feedback link (SB-2018-025 on page 149)	1
D250	10-48		505038	Screw, M6 x 45	6
D300	10-48		310979	Dowel pin	2
QD26	10-48		11001952	O-ring	2
QD28	10-48		063172	O-ring	2
QD30	10-48		11027883	Cap	2

Order code: A4

QD25	10-48		140750	Proportional solenoid, 12v	2
QD27	10-48		11004698	Coil kit, 12v, DEUTSCH connector	2
QD29	10-48		11004749	Coil nut	2
QD100	10-48		11019732	EDC kit, 12v, DEUTSCH connector, fast, manual override	1

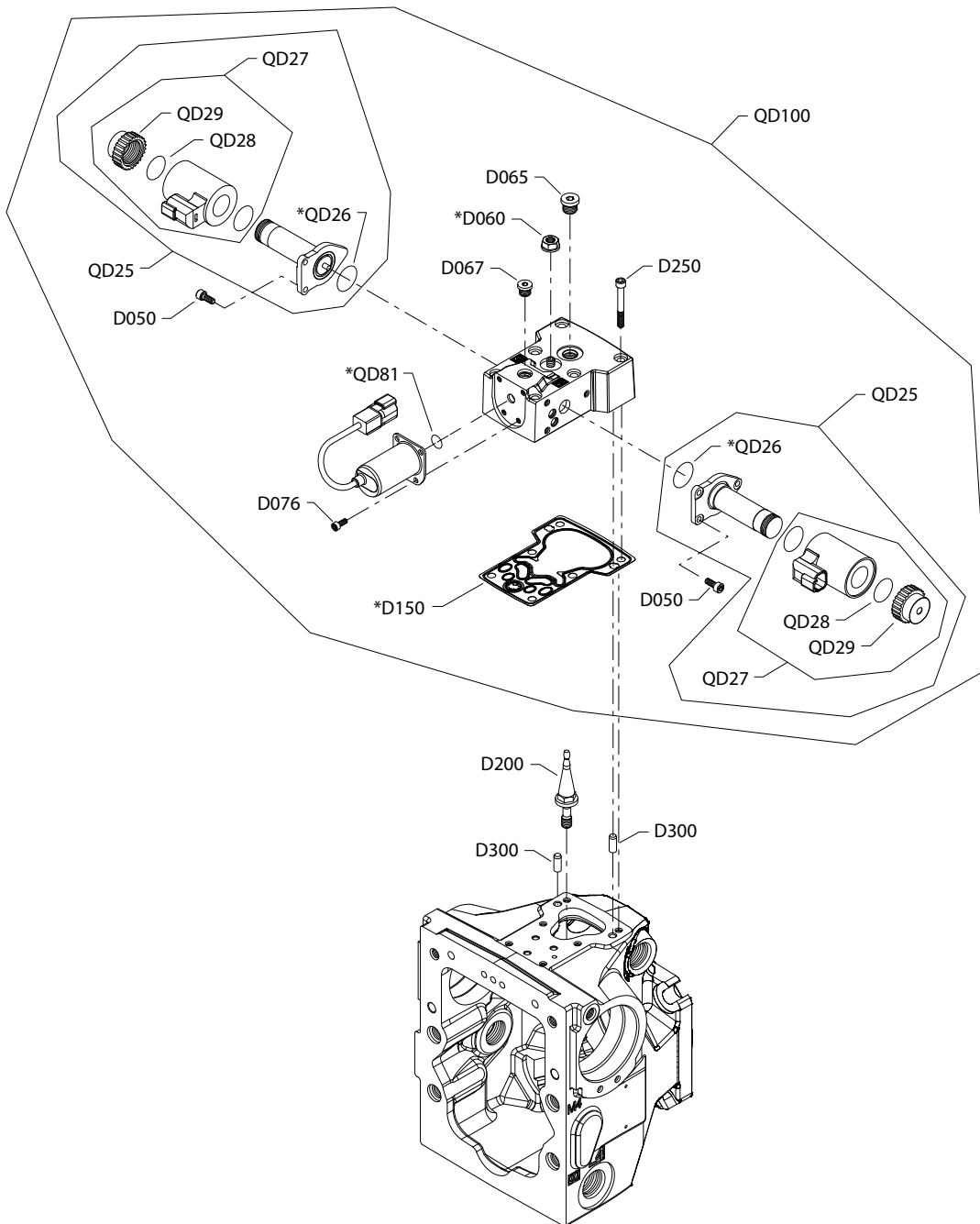
Order code: A5

QD25	10-48		140751	Proportional solenoid, 24v	2
QD27	10-48		11004700	Coil kit, 24v, DEUTSCH connector	2
QD29	10-48		11004750	Coil nut	2
QD100	10-48		11019733	EDC kit, 24v, DEUTSCH connector, fast, manual override	1

Controls

H1P control A6

Parts configuration



Generic housing shown.

* Included in overhaul seal kit Q210

Controls

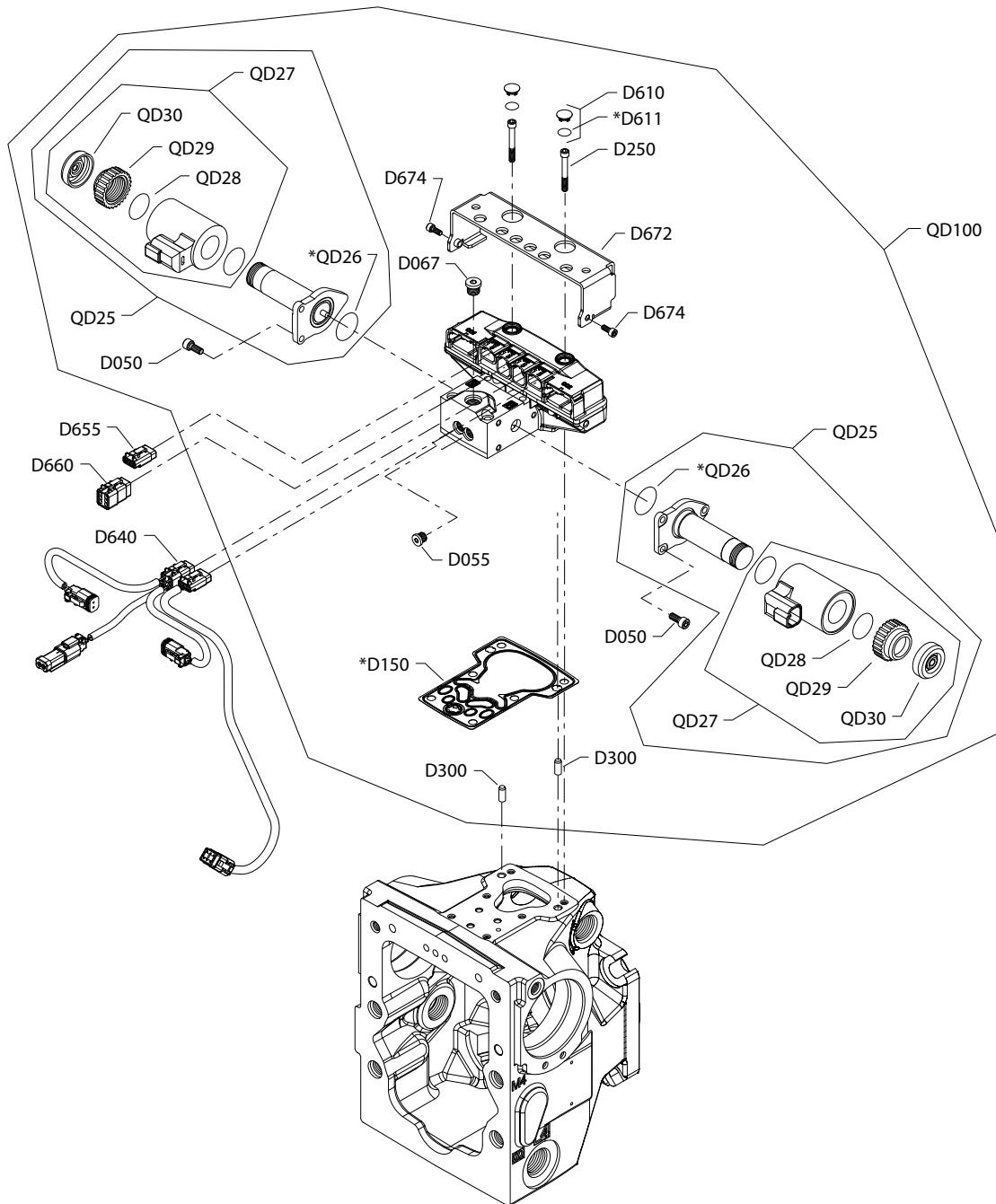
Order code: A6

Item	Date Begin	Date End	Part Number	Part Name	Qty. per Model/Kit
D050	10-48	12-49	716860	Screw, M5 x 12	6
D060	10-48	12-49	612291 (9003508-0008)	Seal nut, M8	1
D065	10-48	12-49	327007	Plug assembly	1
D067	10-48	12-49	11040532	Plug assembly	1
D076	10-48	12-49	346957	Screw, M4 x 8	4
D150	10-48	12-49	11173377	Control gasket (SB-2016-033 on page 147)	1
D200	10-48	12-49	11202172	Swashplate feedback link (SB-2018-025 on page 149)	1
D250	10-48	12-49	505038	Screw, M6 x 45	6
D300	10-48	12-49	310979	Dowel pin	2
QD25	10-48	12-49	11012457	Proportional solenoid, 12V	2
QD26	10-48	12-49	11001952	O-ring	2
QD27	10-48	12-49	11028018	Coil kit, 12V, DEUTSCH connector	2
QD28	10-48	12-49	063172	O-ring	2
QD29	10-48	12-49	11027046	Coil nut	2
QD081	10-48	12-49	11059551	O-ring	1
QD100	10-48	12-49	11152574	EDC kit, 12V, high gain spool, control override (SB-2015-035 on page 144)	1

Controls

H1P control A7

Parts configuration



Generic housing shown

* Included in overhaul seal kit

Controls

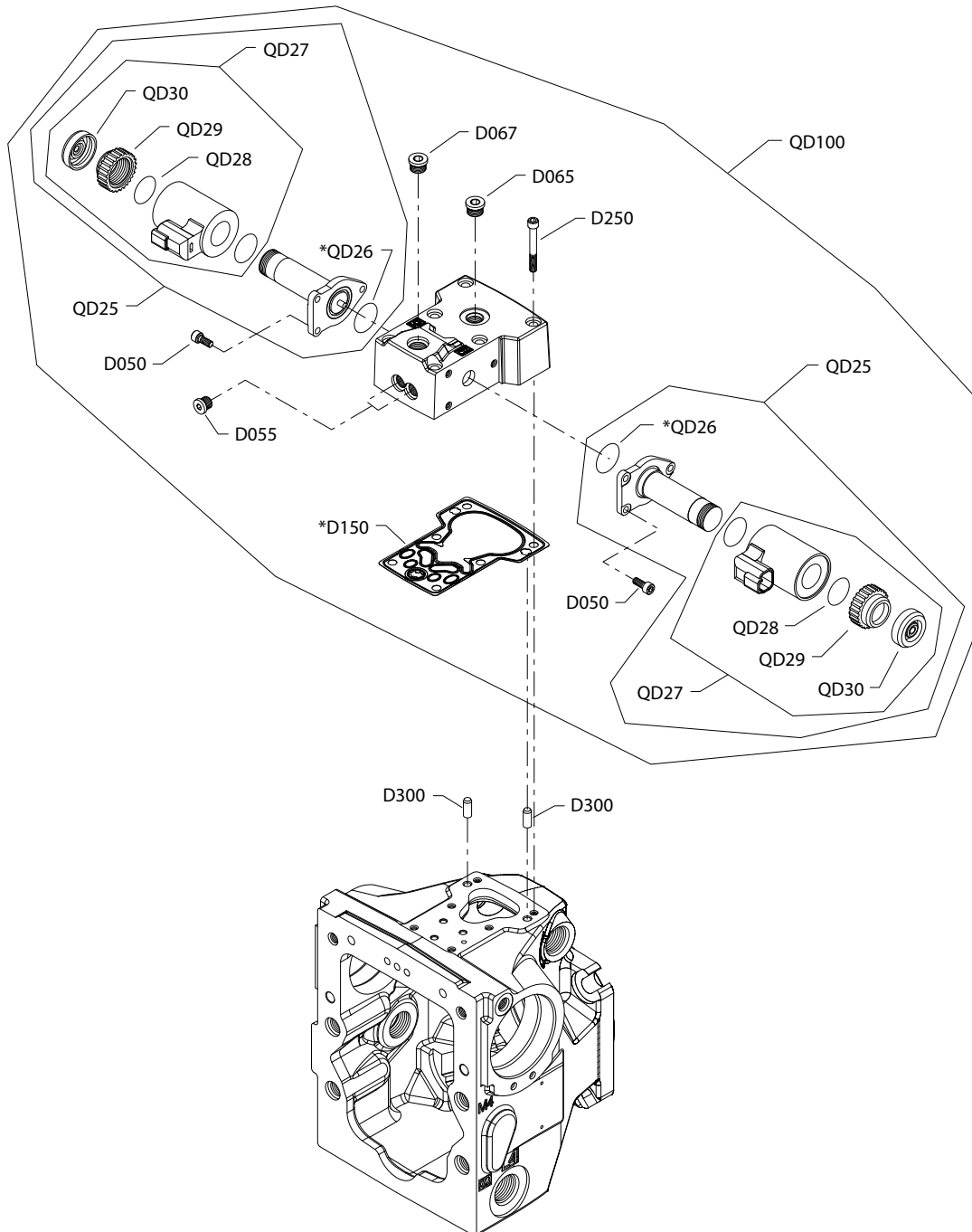
Order code: A7

Item	Date Begin	Date End	Part Number	Part Name	Qty. per Model/Kit
D050	10-14		716860	Screw, M5 x 12	6
D055	10-14		11040532	Plug assembly	2
D067	10-14		327007	Plug assembly	1
D150	10-14		11173377	Control gasket (SB-2016-033 on page 147)	1
D250	10-14		505038	Screw, M6 x 45	6
D300	10-14		11036469	Dowel pin	2
D610	10-14		11000467	Plug assembly	2
D611	10-14		11066774	O-ring	2
D640	10-14		11023348	AC wiring harness	1
D655	10-14		11084827	Connector DTM 06-3S	1
D660	10-14		11084822	Connector DTM 06-6S	1
D672	10-14		11151875	Protection	1
D674	10-14		716860	Screw, M5 x 12	2
QD25	10-14		140750	Proportional solenoid, 12 volt	2
QD26	10-14		11001952	O-ring	2
QD27	10-14		11004698	Coil kit, 12v, DEUTSCH connector	2
QD28	10-14		063172	O-ring	2
QD29	10-14		11004749	Coil nut	2
QD30	10-14		11027883	Cap	2
QD100	10-14		11065118	Automotive control kit, 12v, manual override	1

Controls

H1P control A8

Parts configuration



Generic housing shown.

* Included in overhaul seal kit Q210

Controls

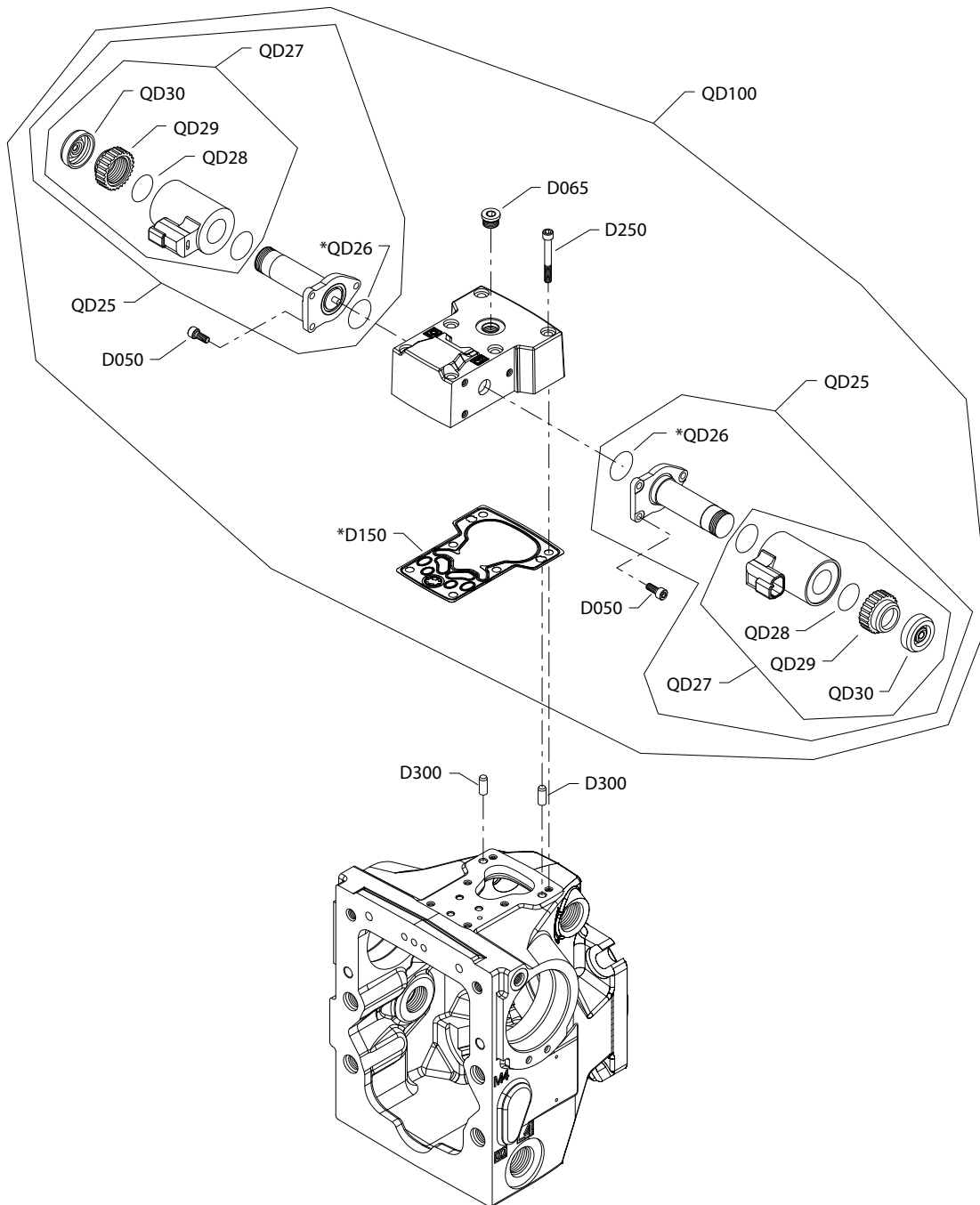
Order code: A8

Item	Date Begin	Date End	Part Number	Part Name	Qty. per Model/Kit
D050	10-48		716860	Screw, M5 x 12	6
D055	10-48		11040532	Plug assembly	2
D065	10-48		327007	Plug assembly	1
D067	10-48		327007	Plug assembly	1
D150	10-48		11173377	Control gasket (SB-2016-033 on page 147)	1
D250	10-48		505038	Screw, M6 x 45	6
D300	10-48		310979	Dowel pin	2
QD25	10-48		140750	Proportional solenoid, 12v, DEUTSCH connector	2
QD26	10-48		11001952	O-ring	2
QD27	10-48		11004698	Coil kit, 12v, DEUTSCH connector	2
QD28	10-48		063172	O-ring	2
QD29	10-48		11004749	Coil nut	2
QD30	10-48		11027883	Cap	2
QD100	10-48		11015803	NFPE control kit, 12V, manual override, DEUTSCH connector	1

Controls

H1P control A9, B1

Parts configuration



Generic housing shown

* Included in overhaul seal kit Q210

Controls

Common parts

Item	Date Begin	Date End	Part Number	Part Name	Qty. per Model/Kit
D050	10-48		716860	Screw, M5 x 12	6
D065	10-48		327007	Plug assembly	1
D150	10-48		11173377	Control gasket (SB-2016-033 on page 147)	1
D250	10-48		505038	Screw, M6 x 45	6
D300	10-48		310979	Dowel pin	2
QD26	10-48		11001952	O-ring	2
QD28	10-48		063172	O-ring	2
QD30	10-48		11027883	Cap	2

Order code: A9

QD25	10-48		141301	Proportional solenoid, 12v, DEUTSCH connector	2
QD27	10-48		11005222	Coil kit, 12v, DEUTSCH connector	2
QD29	10-48		11004749	Coil nut	2
QD100	10-48		11025905	FNR control kit, 12v, manual override, DEUTSCH connector	1

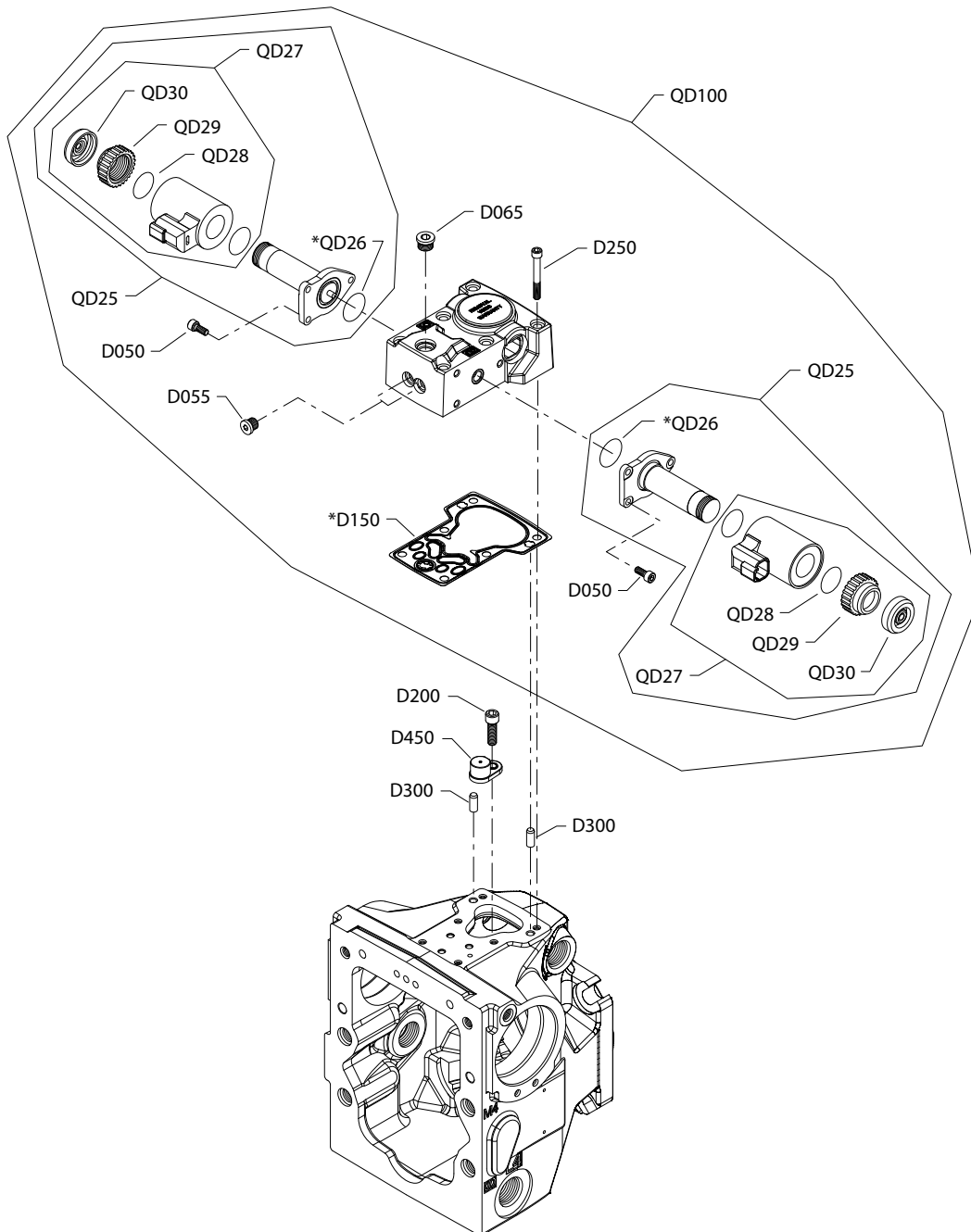
Order code: B1

QD25	10-48		141313	Proportional solenoid, 24v, DEUTSCH connector	2
QD27	10-48		11005223	Coil kit, 24v, DEUTSCH connector	2
QD29	10-48		11004750	Coil nut	2
QD100	10-48		11025906	FNR control kit, 24v, manual override, DEUTSCH connector	1

Controls

H1P control B5

Parts configuration



Generic housing shown

* Included in overhaul seal kit Q210

Controls

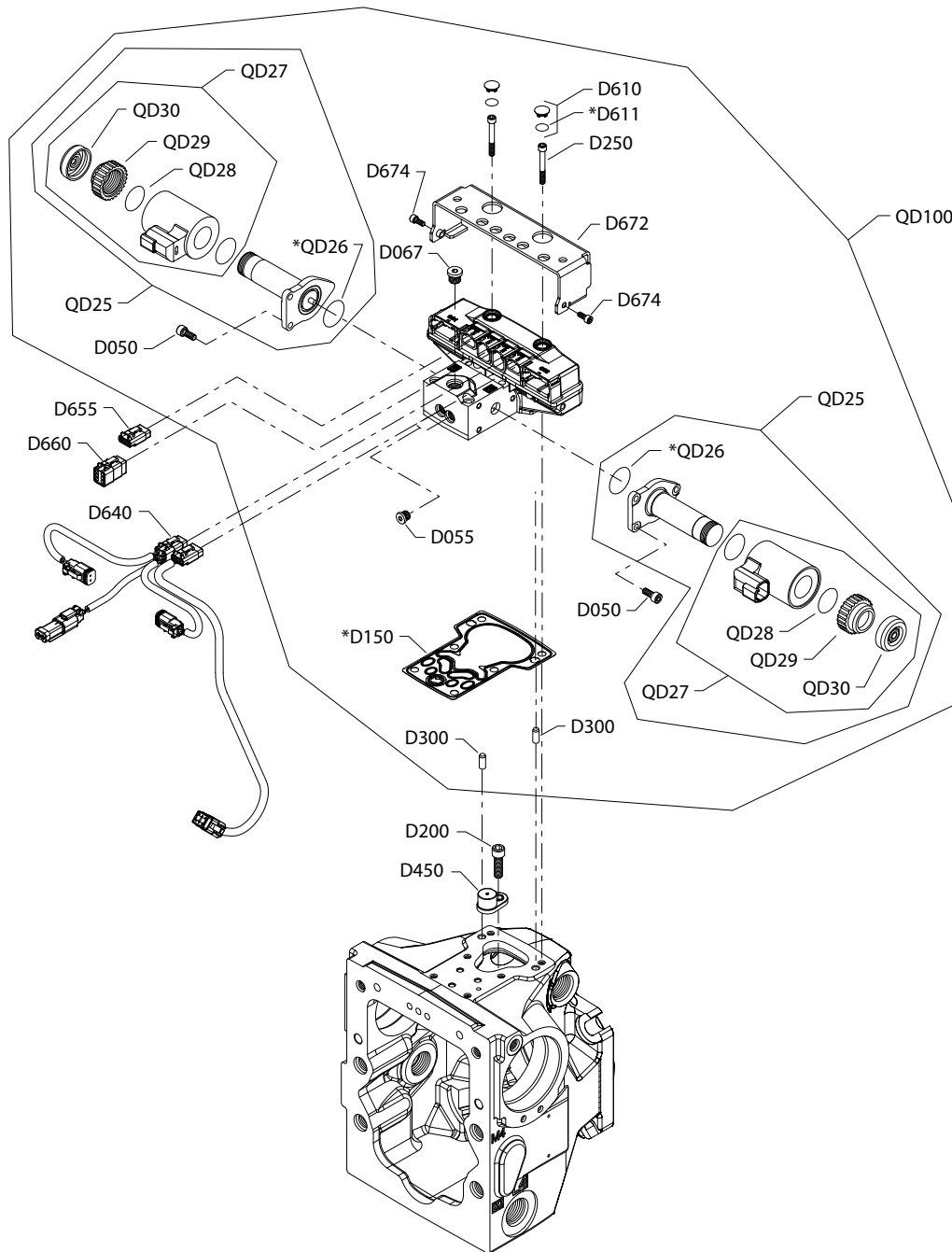
Order code: B5

Item	Date Begin	Date End	Part Number	Part Name	Qty. per Model/Kit
D050	10-14		716860	Screw	6
D055	10-14		11040532	Plug assembly	2
D067	10-14		327007	Plug assembly	1
D150	10-14		11173377	Control gasket (SB-2016-033 on page 147)	1
D200	10-14		141472	Screw	1
D250	10-14		505038	Screw	6
D300	10-14		310979	Dowel pin	2
D450	10-14		11003097	Magnet carrier	1
QD25	10-14		140750	Proportional solenoid, 12 volt	2
QD26	10-14		11001952	O-ring	2
QD27	10-14		11004698	Coil kit, 12V, DEUTSCH connector	2
QD28	10-14		063172	O-ring	2
QD29	10-14		11004749	Coil nut	2
QD30	10-14		11027883	Cap	2
QD100	10-14		11050138	NFPE control kit, 12V, manual override	1

Controls

H1P control B7

Parts configuration



Generic housing shown.

* Included in overhaul seal kit Q210

Controls

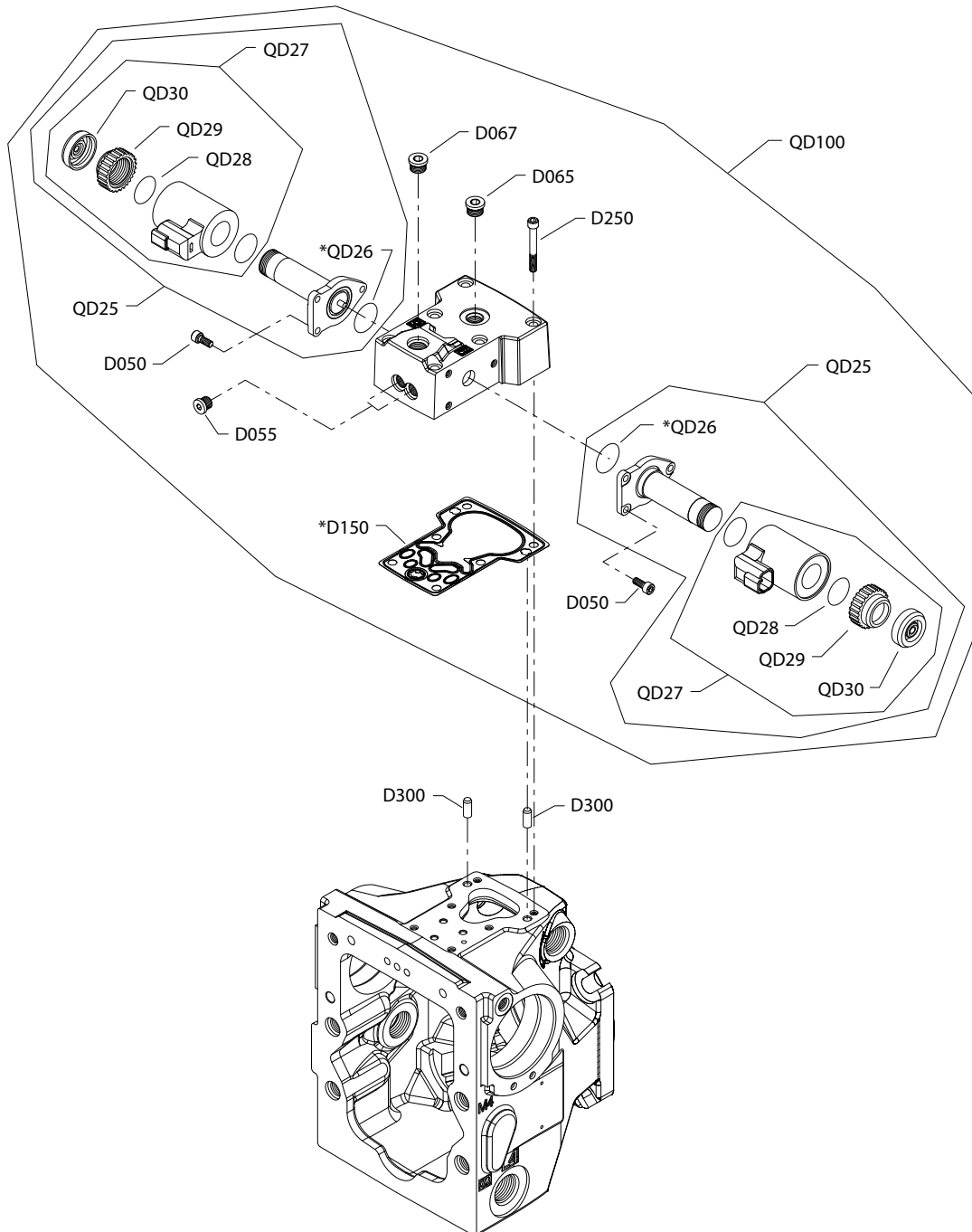
Order code: B7

Item	Date Begin	Date End	Part Number	Part Name	Qty. per Model/Kit
D050	10-04		716860	Screw, M5 x 12	6
D055	10-04		11040532	Plug assembly	2
D067	10-04		327007	Plug assembly	1
D150	10-04		11173377	Control gasket (SB-2016-033 on page 147)	1
D200	10-04		141472	Screw, special	1
D250	10-04		505038	Screw, M6 x 45	6
D300	10-04		11036469	Dowel pin	2
D450	10-04		11003097	Magnet carrier	1
D610	10-04		11000467	Plug assembly	2
D611	10-04		11066774	O-ring	2
D640	10-04		11023348	AC wiring harness	1
D655	10-04		11084827	Connector DTM 06-3S	1
D660	10-04		11084822	Connector DTM 06-6S	1
D672	10-04		11151875	Protection	1
D674	10-04		716860	Screw, M5 x 12	2
QD25	10-04		140750	Proportional solenoid, 12 volt	2
QD26	10-04		11001952	O-ring	2
QD27	10-04		11004698	Coil kit, 12v, DEUTSCH connector	2
QD28	10-04		063172	O-ring	2
QD29	10-04		11004749	Coil nut	2
QD30	10-04		11027883	Cap	2
QD100	10-04		11065119	Automotive control kit, 12v, manual override	1

Controls

H1P control B8

Parts configuration



Generic housing shown.

* Included in overhaul seal kit Q210

Controls

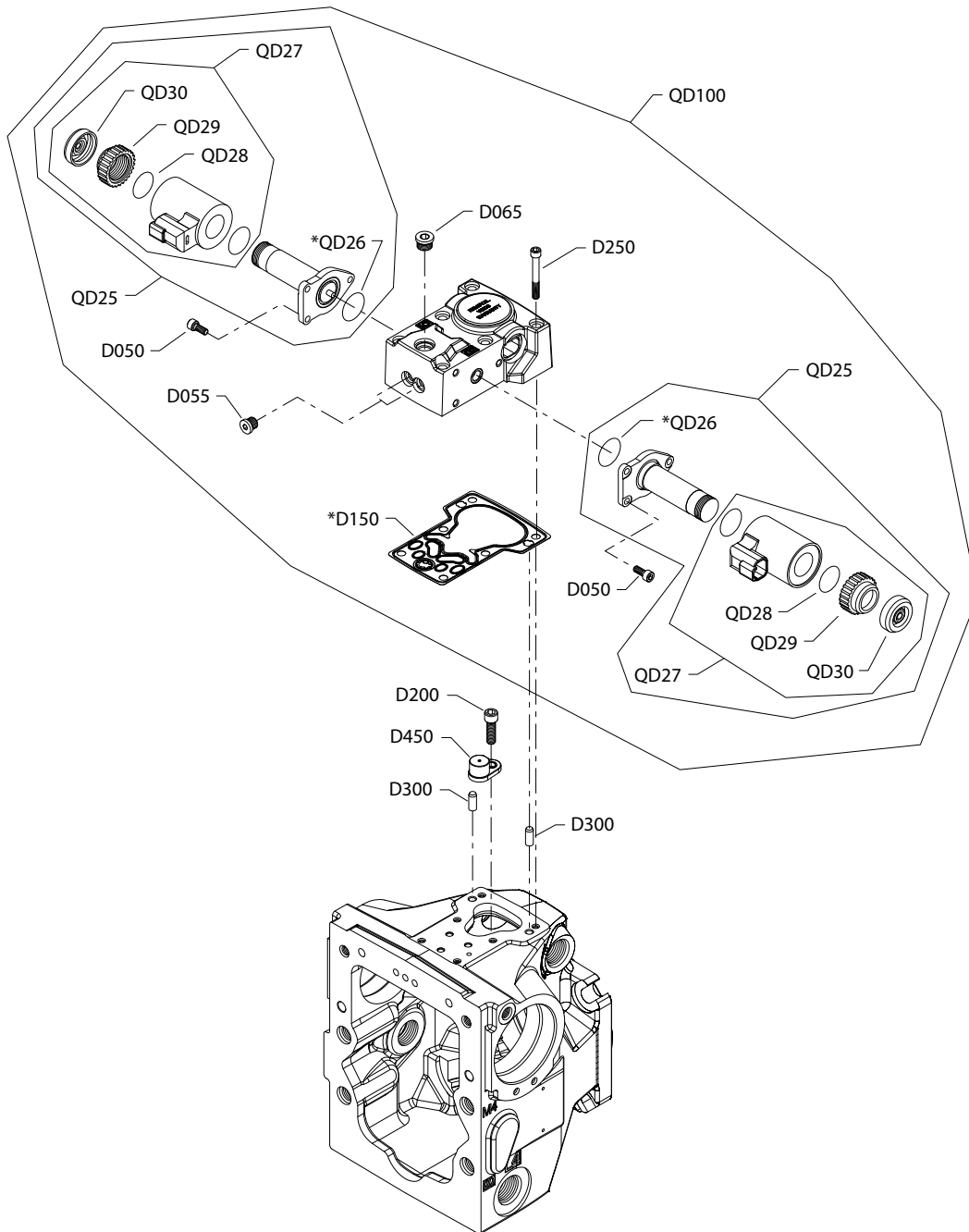
Order code: B8

Item	Date Begin	Date End	Part Number	Part Name	Qty. per Model/Kit
D050	10-48		716860	Screw, M5 x 12	6
D055	10-48		11040532	Plug assembly	2
D065	10-48		327007	Plug assembly	1
D067	10-48		327007	Plug assembly	1
D150	10-48		11173377	Control gasket (SB-2016-033 on page 147)	1
D250	10-48		505038	Screw, M6 x 45	6
D300	10-48		310979	Dowel pin	2
QD25	10-48		140751	Proportional solenoid, 24v, DEUTSCH connector	2
QD26	10-48		11001952	O-ring	2
QD27	10-48		1104700	Coil kit, 24v, DEUTSCH connector	2
QD28	10-48		063172	O-ring	2
QD29	10-48		11004750	Coil nut	2
QD30	10-48		11027883	Cap	2
QD100	10-48		11025904	NFPE control kit, 24v, manual override, DEUTSCH connector	1

Controls

H1P control B9

Parts configuration



Generic housing shown.

* Included in overhaul seal kit Q210

Controls

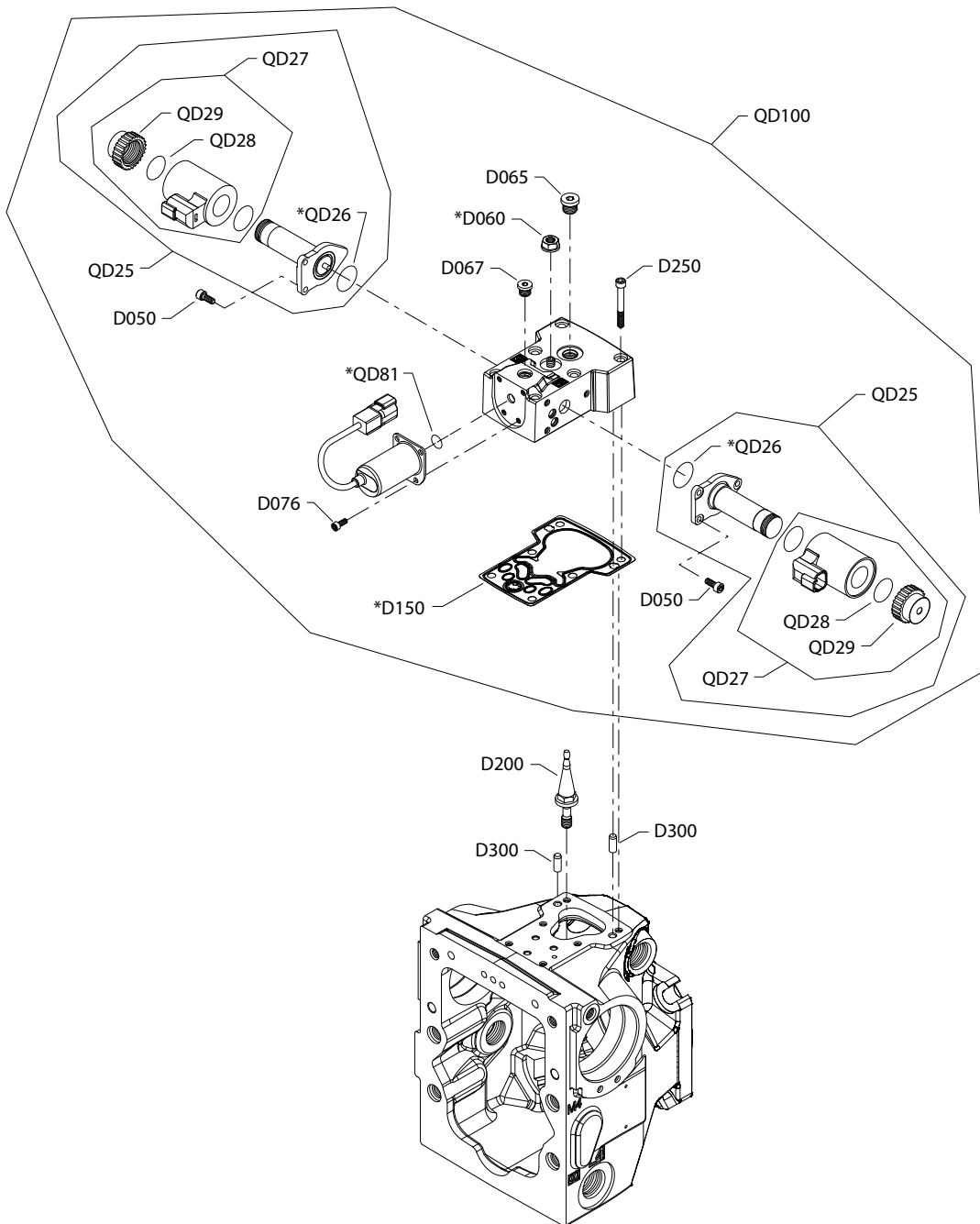
Order code: B9

Item	Date Begin	Date End	Part Number	Part Name	Qty. per Model/Kit
D050	10-48		716860	Screw	6
D055	10-48		11040532	Plug assembly	2
D067	10-48		327007	Plug assembly	1
D150	10-48		11173377	Control gasket (SB-2016-033 on page 147)	1
D200	10-48		141472	Screw	1
D250	10-48		505038	Screw	6
D300	10-48		310979	Dowel pin	2
D450	10-48		11003097	Magnet carrier	1
QD25	10-48		140751	Proportional solenoid, 24v, DEUTSCH connector	2
QD26	10-48		11001952	O-ring	2
QD27	10-48		1104700	Coil kit, 24v, DEUTSCH connector	2
QD28	10-48		063172	O-ring	2
QD29	10-48		11004750	Coil nut	2
QD30	10-48		11027883	Cap	2
QD100	10-48		11050137	NFPE control kit,, 24V, manual override	1

Controls

H1P control C1

Parts configuration



Generic housing shown.

* Included in overhaul seal kit Q210

Controls

Order code: C1

Item	Date Begin	Date End	Part Number	Part Name	Qty. per Model/Kit
D050	10-48	12-52	716860	Screw	6
D060	10-48	12-52	612291 (9003508-0008)	Seal nut	1
D065	10-48	12-52	327007	Plug assembly	1
D067	10-48	12-52	11040532	Plug assembly	1
D076	10-48	12-52	346957	Screw, M4 x 8	4
D150	10-48	12-52	11173377	Control gasket (SB-2016-033 on page 147)	1
D200	10-48	12-52	11202172	Swashplate feedback link (SB-2018-025 on page 149)	1
D250	10-48	12-52	505038	Screw	6
D300	10-48	12-52	310979	Dowel pin	2
QD25	10-48	12-52	11012459	Proportional solenoid, 24V, DEUTSCH connector	2
QD26	10-48	12-52	11001952	O-ring	2
QD27	10-48	12-52	11028019	Coil kit, 24V, DEUTSCH connector	2
QD28	10-48	12-52	063172	O-ring	2
QD29	10-48	12-52	11028024	Coil nut	2
QD81	10-48	12-52	11059551	O-ring	1
QD100	10-48	12-52	11147472	EDC kit, 24V, high gain spool, control override (SB-2015-035 on page 144)	1

Controls

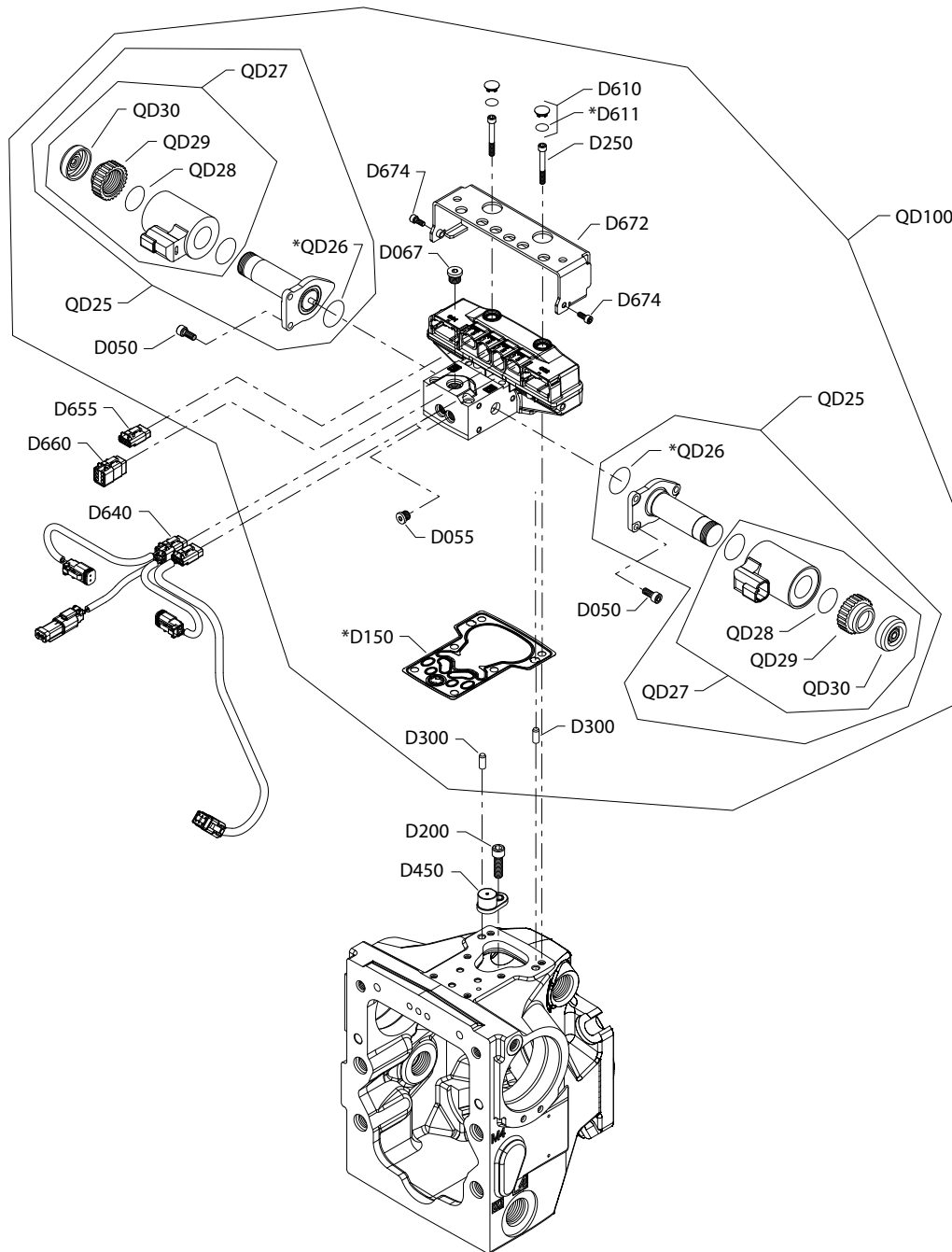
Order code: C2

Item	Date Begin	Date End	Part Number	Part Name	Qty. per Model/Kit
D050	10-04		716860	Screw, M5 x 12	6
D055	10-04		11040532	Plug assembly	2
D067	10-04		327007	Plug assembly	1
D150	10-04		11173377	Control gasket (SB-2016-033 on page 147)	1
D250	10-04		505038	Screw, M6 x 45	6
D300	10-04		11036469	Dowel pin	2
D610	10-04		11000467	Plug assembly	2
D611	10-04		11066774	O-ring	2
D640	10-04		11023348	AC wiring harness	1
D655	10-04		11084827	Connector DTM 06-3S	1
D660	10-04		11084822	Connector DTM 06-6S	1
D672	10-04		11151875	Protection	1
D674	10-04		716860	Screw, M5 x 12	2
QD25	10-04		140751	Proportional solenoid, 24 volt	2
QD26	10-04		11001952	O-ring	2
QD27	10-04		11004700	Coil kit, 24v, DEUTSCH connector	2
QD28	10-04		063172	O-ring	2
QD29	10-04		11004750	Coil nut	2
QD30	10-04		11027883	Cap	2
QD100	10-04		11065120	Automotive control kit, 24v, manual override	1

Controls

H1P control C3

Parts configuration



Generic housing shown.

* Included in overhaul seal kit Q210

Controls

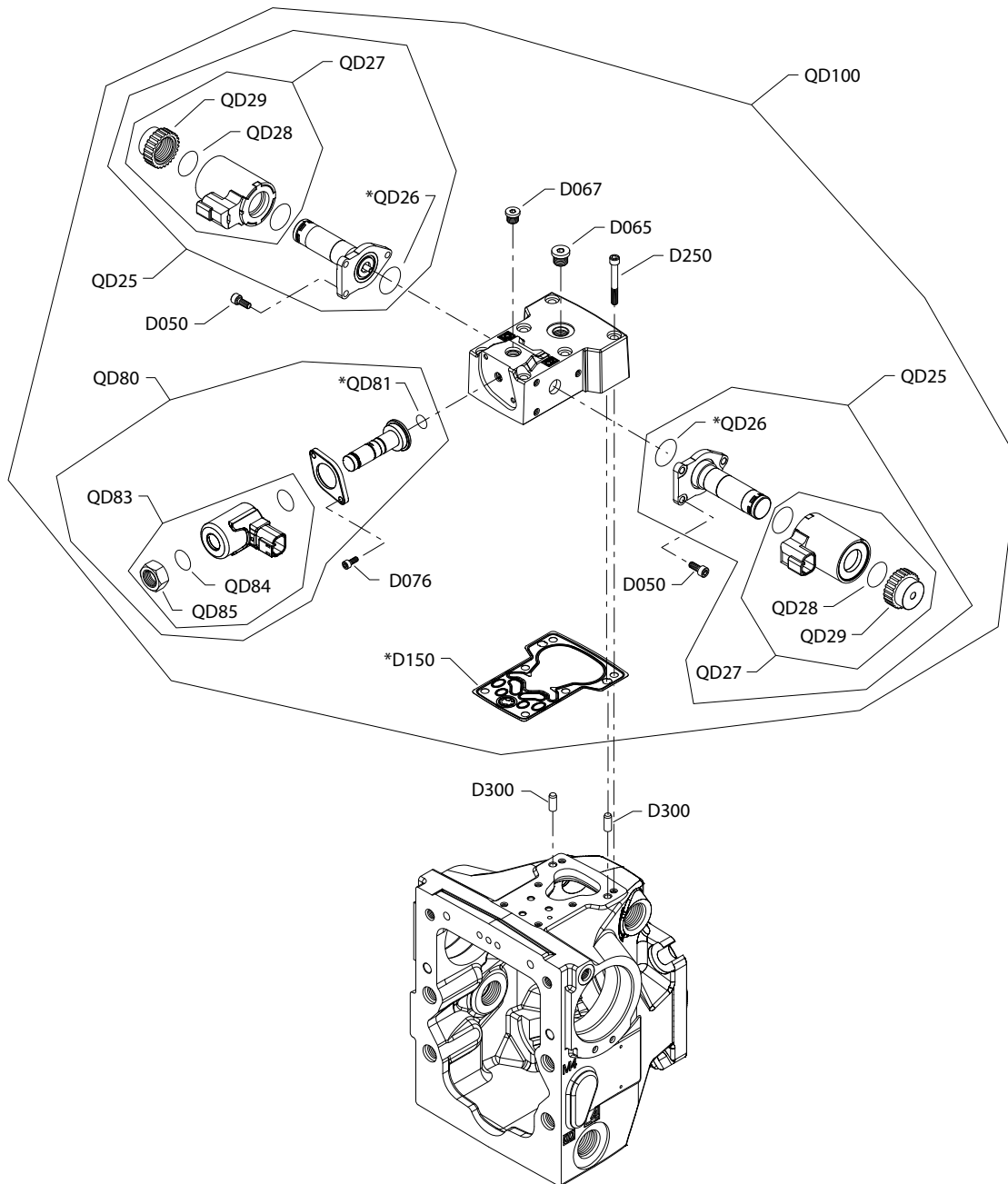
Order code: C3

Item	Date Begin	Date End	Part Number	Part Name	Qty. per Model/Kit
D050	10-04		716860	Screw, M5 x 12	6
D055	10-04		11040532	Plug assembly	2
D067	10-04		327007	Plug assembly	1
D150	10-04		11173377	Control gasket (SB-2016-033 on page 147)	1
D200	10-04		141472	Screw, special	1
D250	10-04		505038	Screw, M6 x 45	6
D300	10-04		11036469	Dowel pin	2
D450	10-04		11003097	Magnet carrier	1
D610	10-04		11000467	Plug assembly	2
D611	10-04		11066774	O-ring	2
D640	10-04		11023348	AC wiring harness	1
D655	10-04		11084827	Connector DTM 06-3S	1
D660	10-04		11084822	Connector DTM 06-6S	1
D672	10-04		11151875	Protection	1
D674	10-04		716860	Screw, M5 x 12	2
QD25	10-04		140751	Proportional solenoid, 24 volt	2
QD26	10-04		11001952	O-ring	2
QD27	10-04		11004700	Coil kit, 24v, DEUTSCH connector	2
QD28	10-04		063172	O-ring	2
QD29	10-04		11004750	Coil nut	2
QD30	10-04		11027883	Cap	2
QD100	10-04		11065121	Automotive control kit, 24v, manual override	1

Controls

H1P control E2

Parts configuration



Generic housing shown.

* Included in overhaul seal kit Q210

Controls

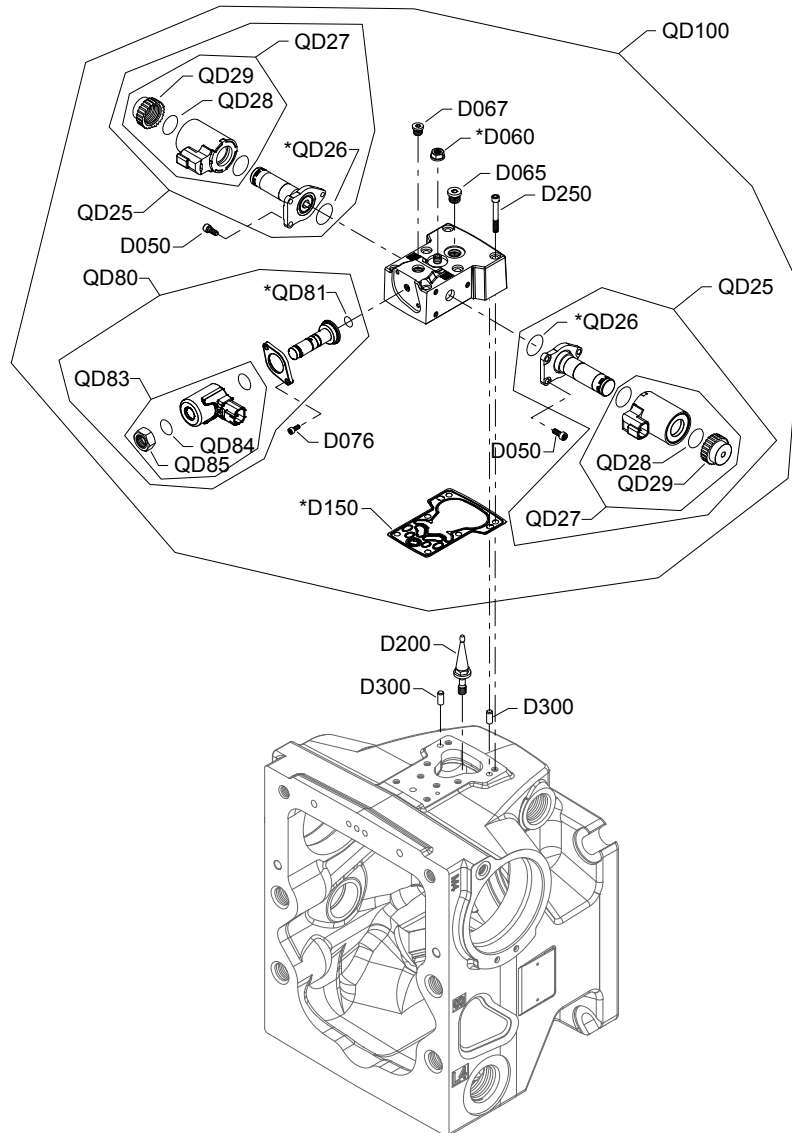
Order code: E2

Item	Date Begin	Date End	Part Number	Part Name	Qty. per Model/Kit
D050	13-45		716860	Screw M5 x 12	6
D065	13-45		327007	Plug assembly	2
D067	13-45		327007	Plug assembly	1
D076	13-45		067694	Screw, M4 x 10	2
D150	13-45		11173377	Control gasket (SB-2016-033 on page 147)	1
D250	13-45		505038	Screw, M6 x45	6
D300	13-45		310979	Dowel pin	2
QD25	13-45		11012457	Proportional solenoid, 12V	2
QD26	13-45		11001952	O-ring	2
QD27	13-45		11028018	Coil kit, 12V, DEUTSCH connector	2
QD28	13-45		063172	O-ring	2
QD29	13-45		11027046	Coil nut	2
QD80	13-45		11129914	Solenoid, 12V, DEUTSCH connector	1
QD81	13-45		11152257	O-ring	1
QD83	13-45		11147301	Coil kit, 12V, DEUTSCH connector	1
QD84	13-45		11140393	O-ring	1
QD85	13-45		11140394	Nut	1
QD100	13-45		11145115	NFPE kit, 12V, high gain spool, control override	1

Controls

H1P control E5

Parts configuration



Generic housing shown.

* Included in overhaul seal kit Q210

Controls

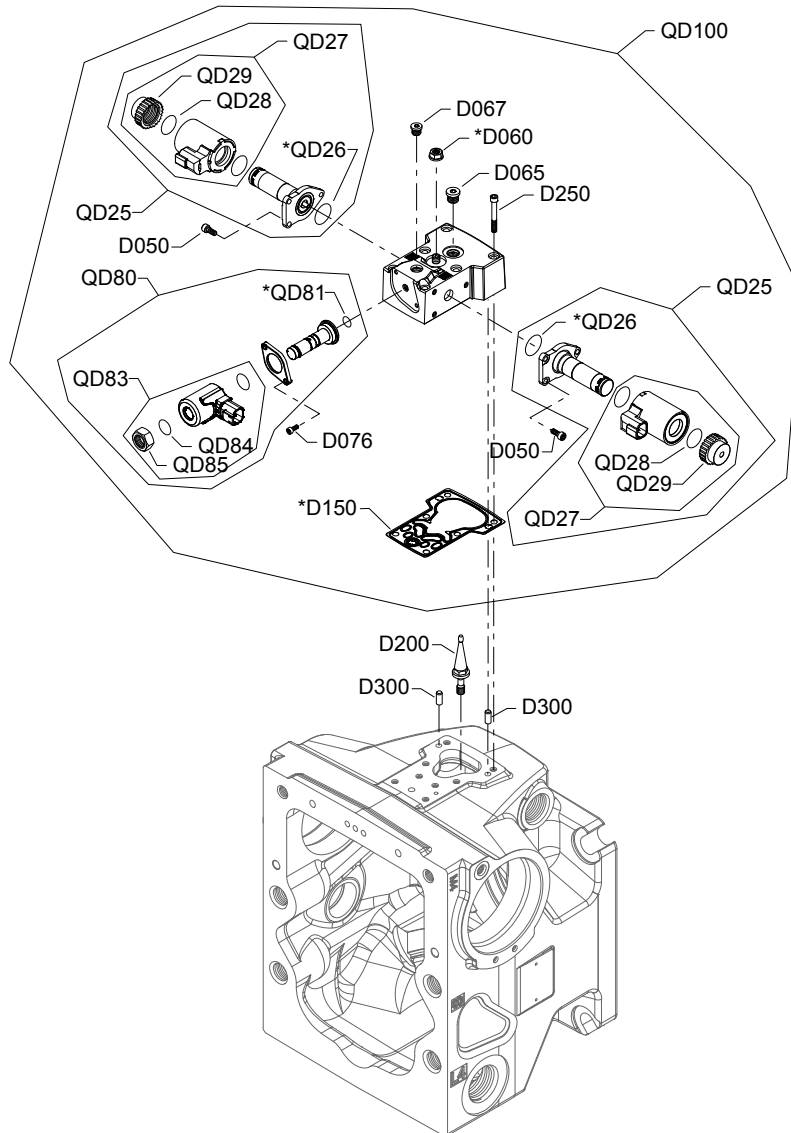
Order code: E5

Item	Date Begin	Date End	Part Number	Part Name	Qty. per Model/Kit
D050	14-25		716860	Screw M5 x 12	6
D060	14-25		612291	Seal nut	1
D065	14-25		327007	Plug assembly	2
D067	14-25		327007	Plug assembly	1
D076	14-25		067694	Screw, M4 x 10	2
D150	14-25		11173377	Control gasket (SB-2016-033 on page 147)	1
D200	14-25		11202172	Swashplate feedback link (SB-2018-025 on page 149)	1
D250	14-25		505038	Screw	6
D300	14-25		310979	Dowel pin	2
QD25	14-25		11012457	Proportional solenoid, 12V	2
QD26	14-25		11001952	O-ring	2
QD27	14-25		11028018	Coil kit, 12V, DEUTSCH connector	2
QD28	14-25		063172	O-ring	2
QD29	14-25		11027046	Coil nut	2
QD80	14-25		11129914	Solenoid, 12V, DEUTSCH connector	1
QD81	14-25		11152257	O-ring	1
QD83	14-25		11147301	Coil kit, 12V, DEUTSCH connector	1
QD84	14-25		11140393	O-ring	1
QD85	14-25		11140394	Nut	1
QD100	14-25		11147422	EDC kit, 12V, control override	1

Controls

H1P control E6, E7

E6 and E7 configuration



Generic housing shown.

* Included in overhaul seal kit Q210

Controls

Common parts

Item	Date Begin	Date End	Part Number	Part Name	Qty. per Model/Kit
D050	14-25		716860	Screw, M5 x 12	6
D060	14-25		612291 (9003508-0008)	Seal nut, M8	1
D065	14-25		327007	Plug assembly (SAE)	1
D067	14-25		327007	Plug assembly (SAE)	1
D076	14-25		067694	Screw, M4 x 10	2
D150	14-25		11173377	Control gasket (SB-2016-033 on page 147)	1
D200	14-25		11202172	Swash plate feedback link (SB-2018-025 on page 149)	1
D250	14-25		505038	Screw, M6 x 45	6
D300	14-25		310979	Dowel pin	2
QD26	14-25		11001952	O-ring	2
QD28	14-25		063172	O-ring	2
QD81	14-25		11152257	O-ring	1
QD84	14-25		11140393	O-ring	1
QD85	14-25		11140394	Coil nut	1

Order code: E6

QD25	14-25		11012459	Proportional solenoid, 12v	2
QD27	14-25		11028019	Coil kit, 24v, DEUTSCH connector	2
QD29	14-25		11028024	Coil nut	2
QD80	14-25		11129915	Solenoid valve, on/off, 24v	1
QD83	14-25		11147332	Coil kit, 24v	1
QD100	14-25		11147423	EDC kit, 24v, CCO	1

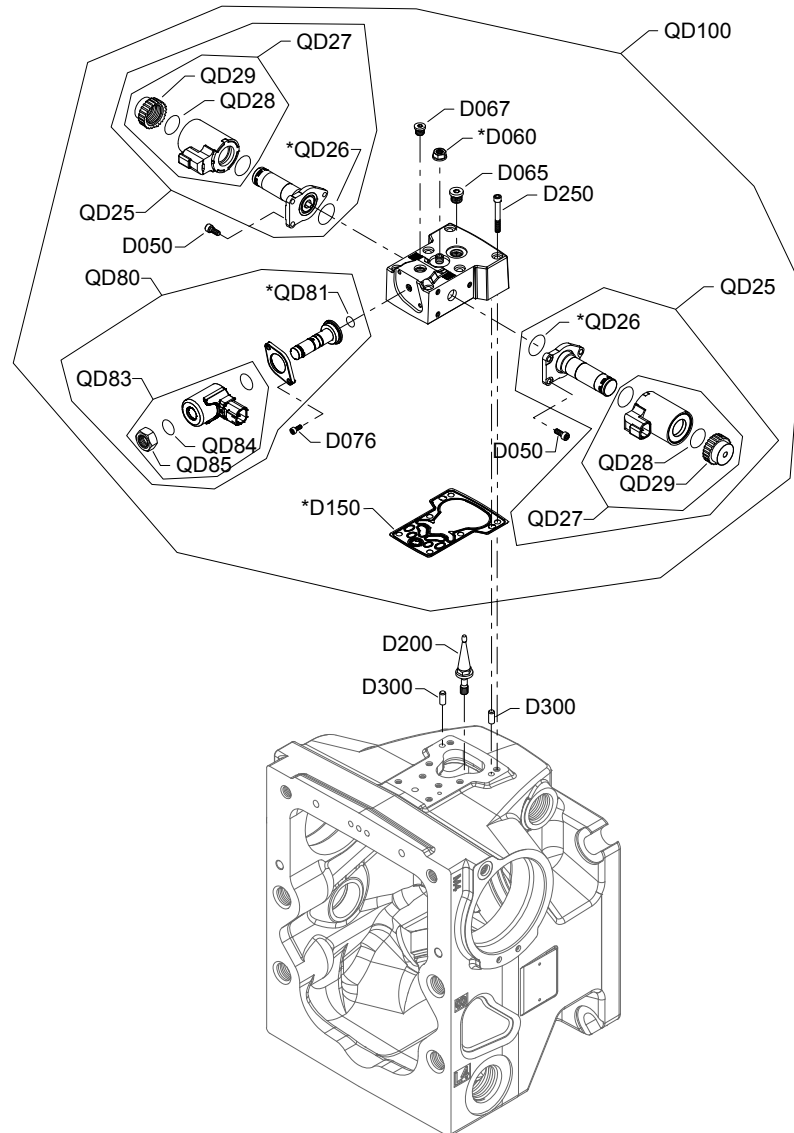
Order code: E7

QD25	14-25		11012457	Proportional solenoid, 12v	2
QD27	14-25		11028018	Coil kit, 124v, DEUTSCH connector	2
QD29	14-25		11027046	Coil nut	2
QD80	14-25		11129914	Solenoid valve, on/off, 12v	1
QD83	14-25		11147301	Coil kit, 12v	1
QD100	14-25		11147471	EDC kit, 12v, CCO (SAE)	1

Controls

H1P control E8

Parts configuration



Generic housing shown.

* Included in overhaul seal kit Q210

Controls

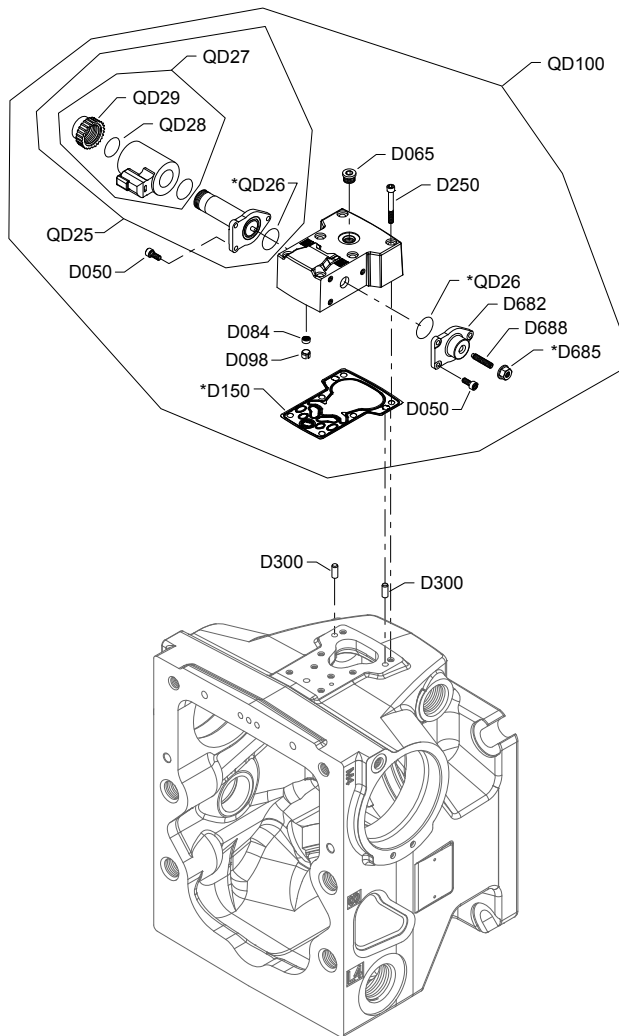
Order code: E8

Item	Date Begin	Date End	Part Number	Part Name	Qty. per Model/Kit
D050	14-25		716860	Screw, M5 x 12	6
D060	14-25		612291 (9003508-0008)	Seal nut, M8	1
D065	14-25		327007	Plug assembly	1
D067	14-25		327007	Plug assembly	1
D076	14-25		067694	Screw, M4 x 10	2
D150	14-25		11173377	Control gasket (SB-2016-033 on page 147)	1
D200	14-25		11202172	Swashplate feedback link (SB-2018-025 on page 149)	1
D250	14-25		505038	Screw, M6 x 45	6
D300	14-25		310979	Dowel pin	2
QD25	14-25		11012459	Proportional solenoid, 24v	2
QD26	14-25		11001952	O-ring	2
QD27	14-25		11028019	Coil kit, 24v, DEUTSCH connector	2
QD28	14-25		063172	O-ring	2
QD29	14-25		11028024	Coil nut	2
QD80	14-25		11129915	Solenoid vale, on/off, 24v	1
QD81	14-25		11152257	O-ring	1
QD83	14-25		11147332	Coil kit, 24v	1
QD84	14-25		11140393	O-ring	1
QD85	14-25		11140394	Coil nut	1
QD100	14-25		11147472	EDC kit, 24v, CCO	1

Controls

H1P control F1, F2

F1 and F2 configuration



Generic housing shown.

⚠ Warning

This control is for Fan Drive systems only. Use in other systems could result in unintended movement of machine or its elements. Loss of the input signal to this control will cause the pump to produce maximum flow. Contact Danfoss or an authorized distributor with questions regarding the use of this product.

* Included in overhaul seal kit Q210

Controls

Common parts

Item	Date Begin	Date End	Part Number	Part Name	Qty. per Model/Kit
D050	12-33		716860	Screw, M5 x 12	6
D065	12-33		327007	Plug assembly	1
D150	12-33		11173377	Control gasket (SB-2016-033 on page 147)	1
D250	12-33		505038	Screw, M6 x 45	6
D300	12-33		310979	Dowel pin	2
D682	12-33		11079441	Flange	1
D685	12-33		612291 (9003508-0008)	Seal nut, M8	1
D688	12-33		11079453	Adjusting screw	1
QD26	12-33		11001952	O-ring	2
QD28	12-33		063172	O-ring	1

Order code: F1

QD25	12-33		11012457	Proportional solenoid, 12v	1
QD27	12-33		11028018	Coil kit, 12v, DEUTSCH connector	1
QD29	12-33		11027046	Coil nut	1
QD100	12-33		11081306	FDC kit, 12v, DEUTSCH connector	1

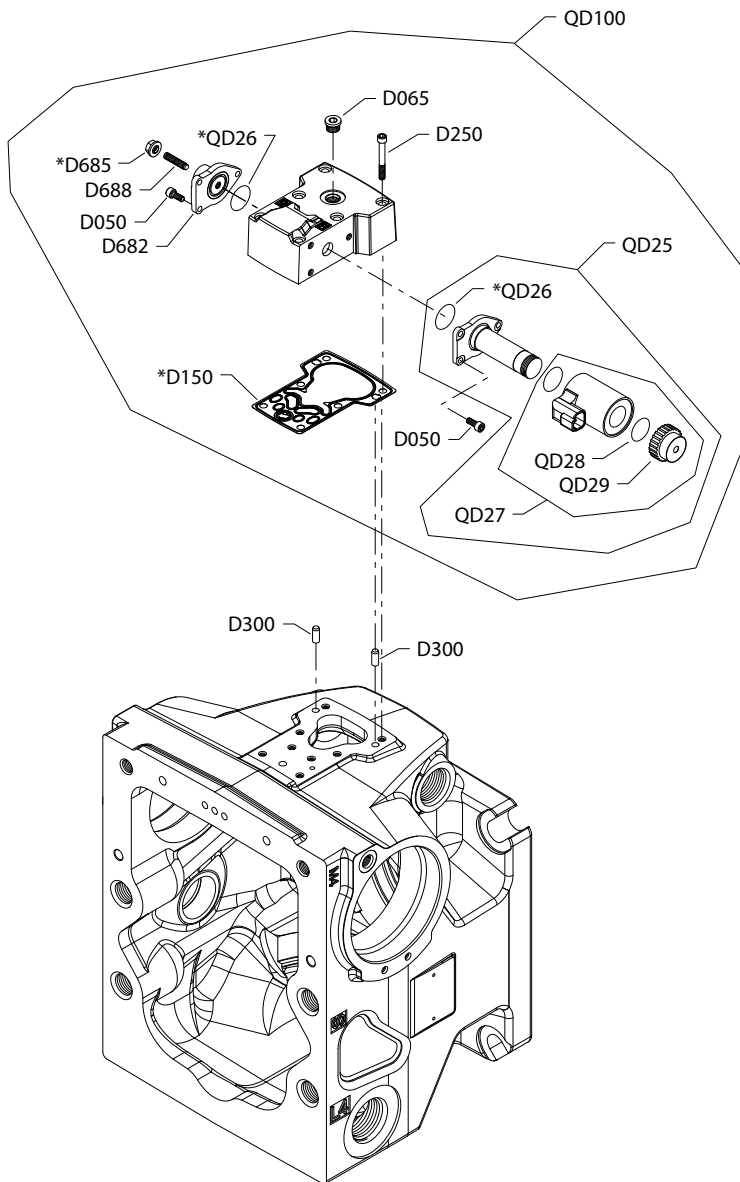
Order code: F2

QD25	12-33		11012459	Proportional solenoid, 24v	1
QD27	12-33		11028019	Coil kit, 24v, DEUTSCH connector	1
QD29	12-33		11028024	Coil nut	1
QD100	12-33		11081307	FDC kit, 24v, DEUTSCH connector	1

Controls

H1P control F4

F4 configuration



Generic housing shown.

* Included in overhaul seal kit

Controls

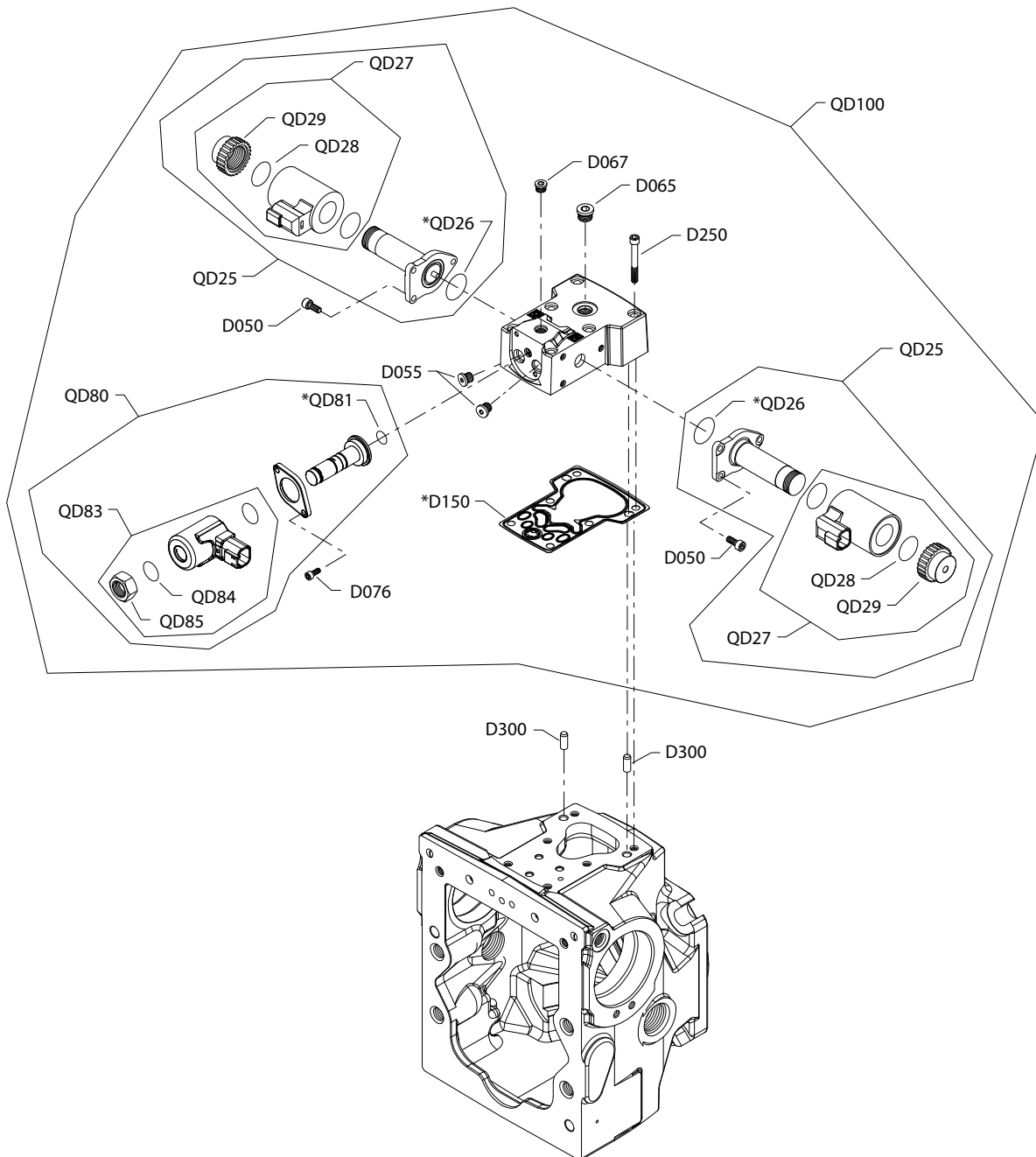
Order code: F4

Item	Date Begin	Date End	Part Number	Part Name	Qty. per Model/Kit
D050	18-12		716860	Screw, M5 x 12	6
D065	18-12		327007	Plug assembly	1
D150	18-12		11173377	Control gasket (SB-2016-033 on page 147)	1
D250	18-12		505038	Screw, M6 x 45	6
D300	18-12		310979	Dowel pin	2
D682	18-12		11079441	Flange	1
D685	18-12		612291 (9003508-0008)	Seal nut, M8	1
D688	18-12		11079453	Adjusting screw	1
QD25	18-12		11012459	Proportional solenoid, 24v	1
QD26	18-12		11001952	O-ring	2
QD27	18-12		11028019	Coil kit, 24v, DEUTSCH connector	1
QD28	18-12		063172	O-ring	1
QD29	18-12		11028024	Coil nut	1
QD100	18-12		11174982	FDC kit, 24v, DEUTSCH connector	1

Controls

H1P control G6

Parts configuration



Generic housing shown

* Included in overhaul seal kit Q210

Controls

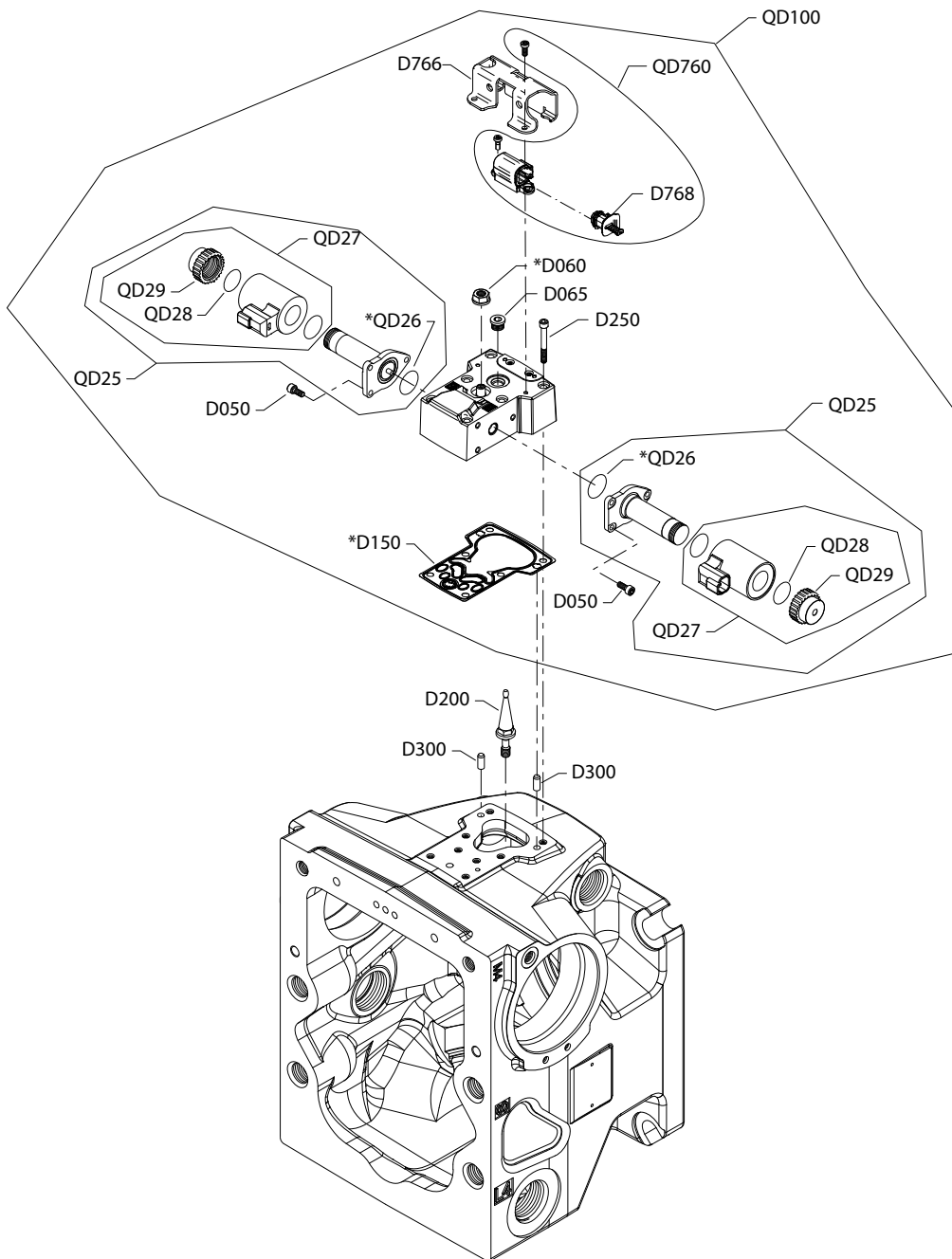
Order code: G6

Item	Date Begin	Date End	Part Number	Part Name	Qty. per Model/Kit
D050	14-31		716860	Screw, M5 x 12	6
D055	14-31		11040532	Plug assembly	2
D065	14-31		327007	Plug assembly	1
D067	14-31		11040532	Plug assembly	1
D076	14-31		067694	Screw, M4 x 8	4
D150	14-31		11173377	Control gasket (SB-2016-033 on page 147)	1
D250	14-31		505038	Screw, M6 x 45	6
D300	14-31		310979	Dowel pin	2
QD25	14-31		11012457	Proportional solenoid, 12v	2
QD26	14-31		11001952	O-ring	2
QD27	14-31		11028018	Coil kit, 12v, DEUTSCH connector	2
QD28	14-31		063172	O-ring	2
QD29	14-31		11027046	Coil nut	2
QD80	14-31		11129914	Solenoid valve, 12v	1
QD81	14-31		11152257	O-ring	1
QD83	10-47		11147301	Coil kit, 12v	1
QD84	10-47		11140393	O-ring	1
QD85	14-31		11140394	Coil nut	1
QD100	14-31		11154961	NFPE kit, 12v CCO	1

Controls

H1P control H2, H3

Parts configuration



Generic housing shown

* Included in overhaul seal kit Q210

Controls

Common parts

Item	Date Begin	Date End	Part Number	Part Name	Qty. per Model/Kit
D050	18-11		716860	Screw, M5 x 12	6
D060	18-11		612291	Seal nut	1
D065	18-11		327007	Plug assembly	1
D150	18-11		11173377	Control gasket	1
D200	18-11		11202172	Swashplate feedback link	1
D250	18-11		505038	Screw, M6 x 45	6
D300	18-11		310979	Dowel pin	2
D766	18-11		11187406	Protection cover	1
D768	18-11		11184617	Paint cover	1
QD26	18-11		11001952	O-ring	2
QD28	18-11		063172	O-ring	2
QD760	18-11		11201819	EDC sensor service kit	1

Order code: H2

QD100	18-11		11196619	EDC kit, 12v, ASNSR	1
QD25	18-11		11012457	Proportional solenoid, 12v	2
QD27	18-11		11028018	Coil kit, 12V, DEUTSCH connector	2
QD29	18-11		11027046	Nut	2

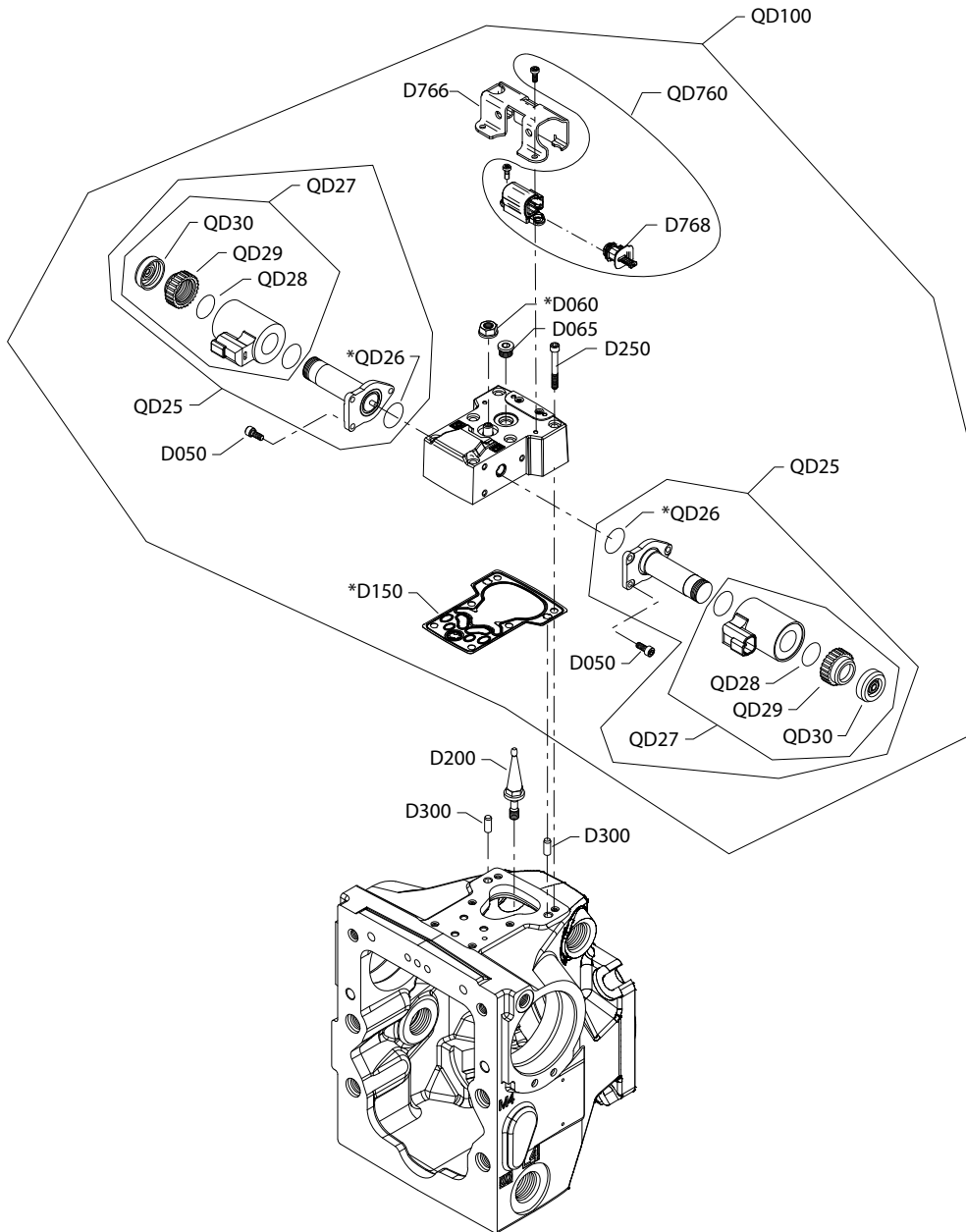
Order code: H3

QD100	18-11		11179280	EDC kit, 24v, ASNSR	1
QD25	18-11		11012459	Proportional solenoid, 24v	2
QD27	18-11		11028019	Coil kit, 24v DEUTSCH connector	2
QD29	18-11		11028024	Nut	2

Controls

H1P control H6, H7

Parts configuration



Generic housing shown

* Included in overhaul seal kit Q210

Controls

Common parts

Item	Date Begin	Date End	Part Number	Part Name	Qty. per Model/Kit
D050	18-13		716860	Screw, M5 x 12	6
D060	18-13		612291	Seal nut	1
D065	18-13		327007	Plug assembly	1
D150	18-13		11173377	Control gasket	1
D200	18-13		11202172	Swashplate feedback link	1
D250	18-13		505038	Screw, M6 x 45	6
D300	18-13		310979	Dowel pin	2
D766	18-13		11187406	Protection cover	1
D768	18-13		11184617	Paint cover	1
QD26	18-13		11001952	O-ring	2
QD28	18-13		063172	O-ring	2
QD30	18-13		11027883	Cap	2
QD760	18-13		11201819	EDC sensor service kit	1

Order code: H6

QD100	18-13		11179281	EDC kit, 12V	1
QD25	18-13		140750	Proportional solenoid, 12V	2
QD27	18-13		11004698	Coil kit, 12V, DEUTSCH connector	2
QD29	18-13		11004749	Coil nut	2

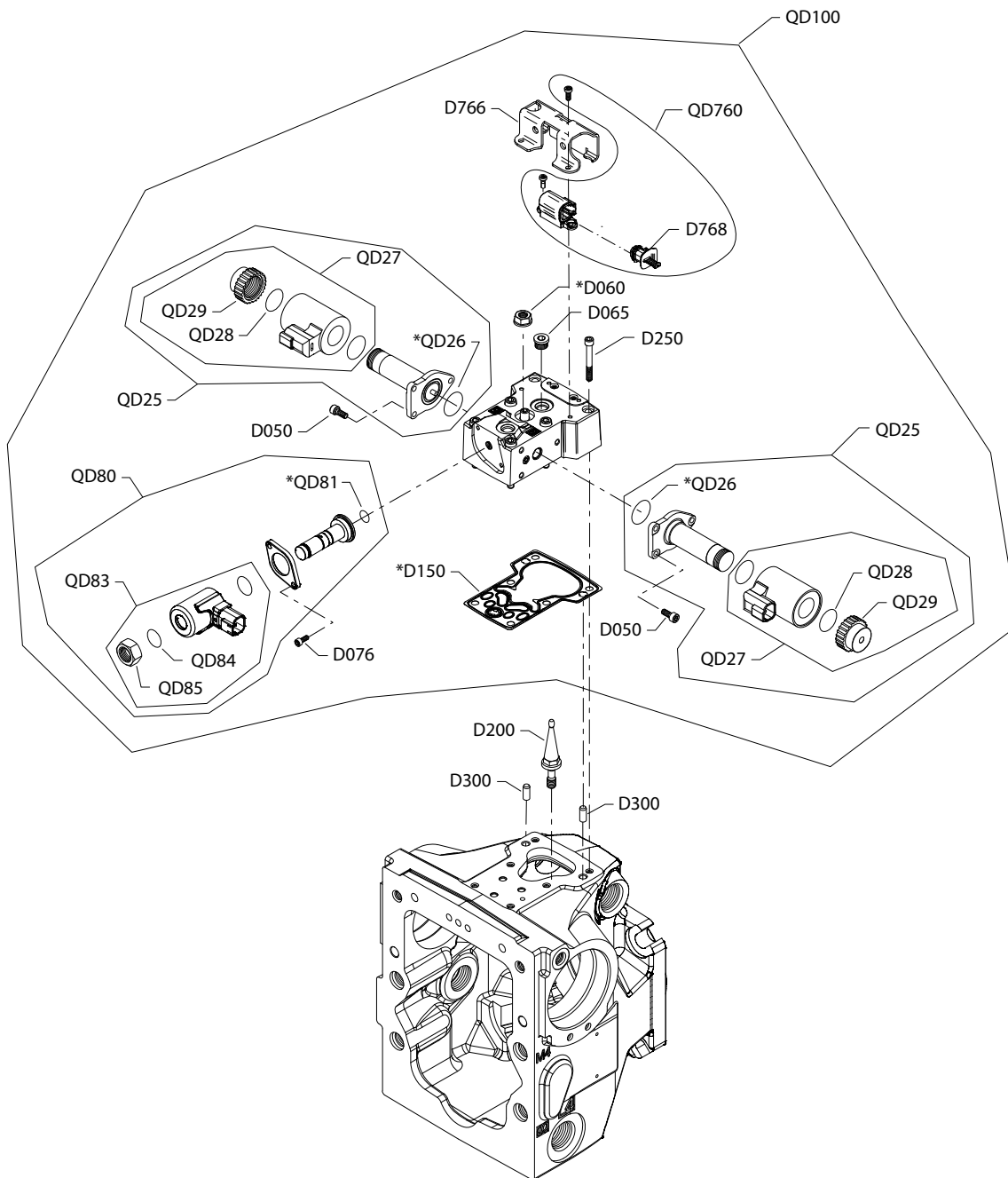
Order code: H7

QD100	18-13		11179292	EDC kit, 24V	1
QD25	18-13		140751	Proportional solenoid, 24V	2
QD27	18-13		11004700	Coil kit, 24V, DEUTSCH connector	2
QD29	18-13		11004750	Coil nut	2

Controls

H1P control H8, H9

Parts configuration



Generic housing shown

Option H8 is available in SAE and metric configurations. Please order accordingly.

* Included in overhaul seal kit Q210

Controls

Common parts

Item	Date Begin	Date End	Part Number	Part Name	Qty. per Model/Kit
D050	18-13		716860	Screw, M5 x 12	6
D060	18-13		612291	Seal nut	1
D065	18-13		327007	Plug assembly	1
D067	18-13		327007	Plug assembly	1
D076	18-13		067694	Screw, M4 x 10	2
D150	18-13		11173377	Control gasket	1
D200	18-13		11202172	Swashplate feedback link	1
D250	18-13		505038	Screw, M6 x 45	6
D300	18-13		310979	Dowel pin	2
D766	18-13		11187406	Protection cover	1
D768	18-13		11184617	Paint cover	1
QD28	18-13		063172	O-ring	2
QD84	18-13		11140393	O-ring	1
QD85	18-13		11140394	Nut	1
QD760	18-13		11201819	EDC sensor service kit	1

Order code: H8

QD100	18-13		11179293	EDC kit, 12V	1
QD100	16-30		11182566	EDC kit, 12v ASNSR (metric)	1
QD25	18-13		11012457	Proportional solenoid, 12V	2
QD27	18-13		11028018	Coil kit, 12V, DEUTSCH connector	2
QD29	18-13		11027046	Coil nut	2
QD80	18-13		11129914	Solenoid, 12V, DEUTSCH connector	1
QD83	18-13		11136347	Coil kit, 12V, DEUTSCH connector	1

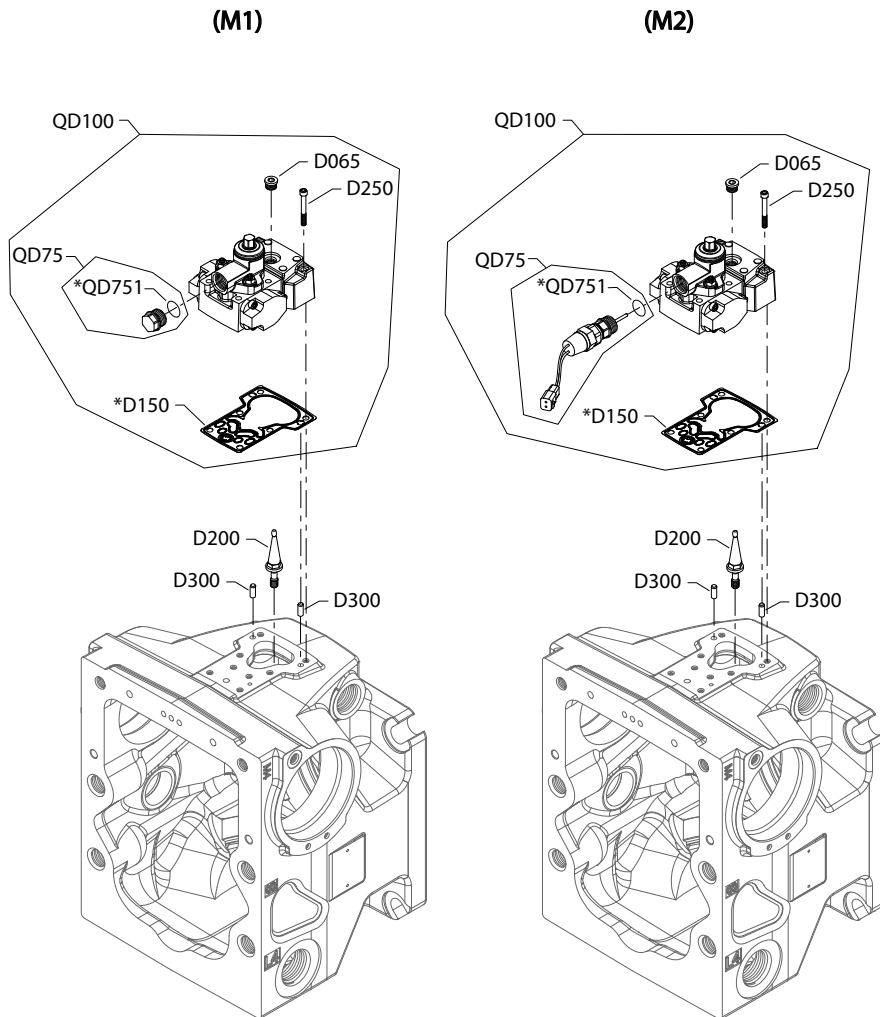
Order code: H9

QD100	18-13		11179296	EDC kit, 24V	1
QD25	18-13		11012459	Proportional solenoid, 24V	2
QD27	18-13		11028019	Coil kit, 24V, DEUTSCH connector	2
QD29	18-13		11028024	Coil nut	2
QD80	18-13		11129915	Solenoid, 24V, DEUTSCH connector	1
QD83	18-13		11147332	Coil kit, 24V, DEUTSCH connector	1

Controls

H1P control M1, M2

M1 and M2 configuration



Generic housing shown

* Included in overhaul seal kit

Controls

Order code: common parts

Item	Date Begin	Date End	Part Number	Part Name	Qty. per Model/Kit
D065	14-01		327007	Plug assembly	1
D150	14-01		11173377	Control gasket (SB-2016-033 on page 147)	1
D200	14-01		11202172	Swashplate feedback link (SB-2018-025 on page 149)	1
D250	14-01		505038	Screw, M6 x 45	6
D300	14-01		310979	Dowel pin	2
QD751	14-01		001131 (9004201-5000)	O-ring	1

Order code: M1

QD75	14-01		11119332	Spring seat assembly	1
QD100	14-01		11141225	MDC kit	1

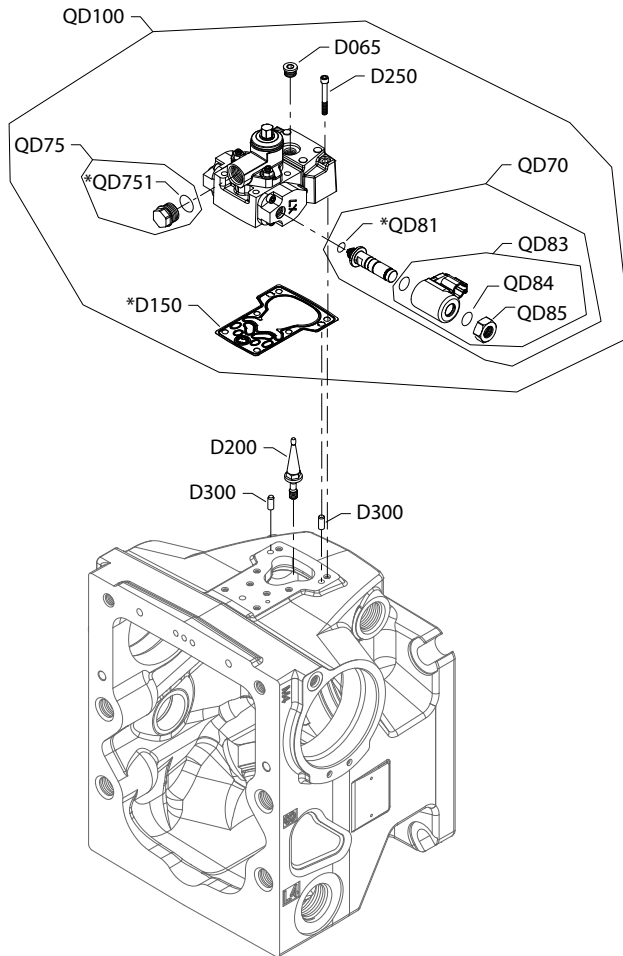
Order code: M2

QD75	14-01		11126847	Spring seat/neutral start switch assembly	1
QD100	14-01		11141236	MDC kit	1

Controls

H1P control M3, M4

M3 and M4 configuration



Generic housing shown

* Included in overhaul seal kit Q210

Controls

Common parts

Item	Date Begin	Date End	Part Number	Part Name	Qty. per Model/Kit
D065	14-01		327007	Plug assembly	1
D150	14-01		11173377	Control gasket (SB-2016-033 on page 147)	1
D200	14-01		11202172	Swashplate feedback link (SB-2018-025 on page 149)	1
D250	14-01		505038	Screw, M6 x 45	6
D300	14-01		310979	Dowel pin	2
QD81	14-01		11152257	O-ring	1
QD84	14-01		11140393	O-ring	1
QD85	14-01		11140394	Coil nut	1
QD751	14-01		001131 (9004201-5000)	O-ring	1

Order code: M3

QD70	14-01		11129916	Solenoid valve, 12v	1
QD75	14-01		11119332	Spring seat assembly	1
QD83	14-01		11136347	Coil kit, 12v	1
QD100	14-01		11141237	MDC kit, 12v, CCO	1

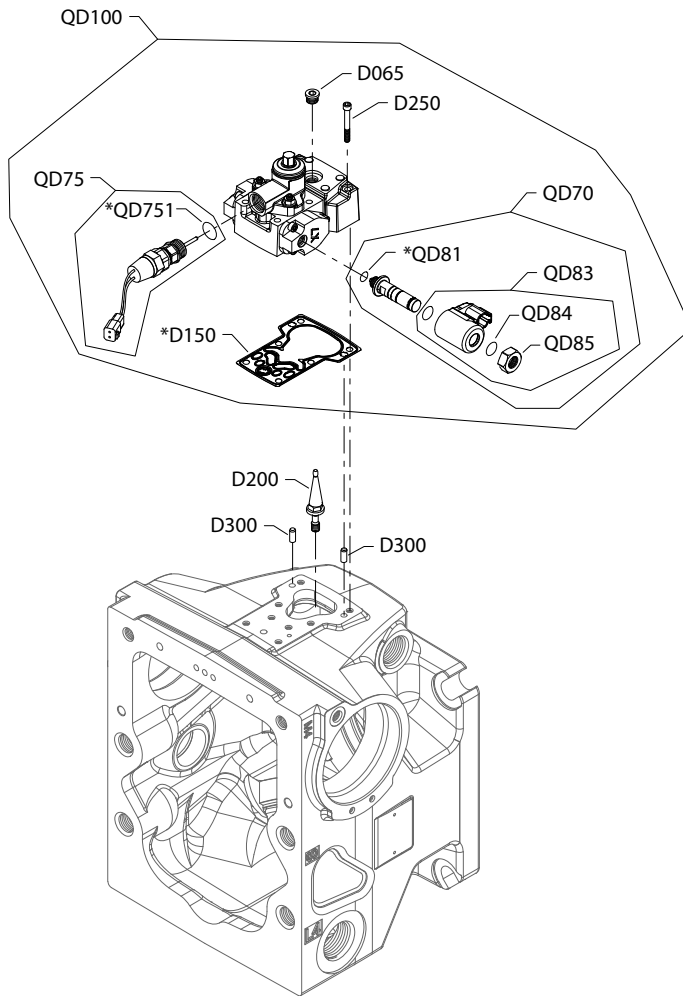
Order code: M4

QD70	14-01		11129917	Solenoid valve, 24v	1
QD83	14-01		11136348	Coil kit, 24v, CCO	1
QD100	14-01		11141238	MDC kit, 24v	1

Controls

H1P control M5, M6

M5 and M6 configuration



Generic housing shown

* Included in overhaul seal kit Q210

Controls

Common parts

Item	Date Begin	Date End	Part Number	Part Name	Qty. per Model/Kit
D065	14-01		327007	Plug assembly	1
D150	14-01		11173377	Control gasket (SB-2016-033 on page 147)	1
D200	14-01		11202172	Swashplate feedback link (SB-2018-025 on page 149)	1
D250	14-01		505038	Screw, M6 x 45	6
D300	14-01		310979	Dowel pin	2
QD75	14-01		11126847	Spring seat/neutral start switch assembly	1
QD81	14-01		11152257	O-ring	1
QD84	14-01		11140393	O-ring	1
QD85	14-01		11140394	Coil nut	1
QD751	14-01		001131 (9004201-5000)	O-ring	1

Order code: M5

QD70	14-01		11129916	Solenoid valve, 12v	1
QD83	14-01		11136347	Coil kit, 12v	1
QD100	14-01		11141239	MDC kit, 12v, neutral start switch assembly, CCO	1

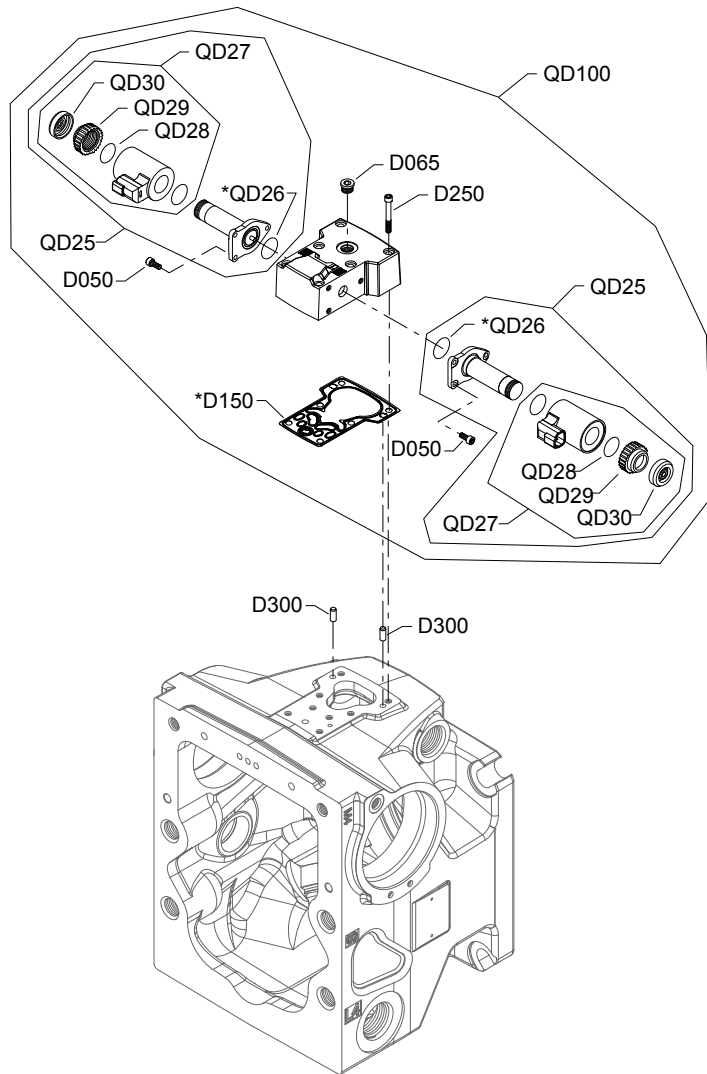
Order code: M6

QD70	14-01		11129917	Solenoid valve, 24v	1
QD83	14-01		11136348	Coil kit, 24v	1
QD100	14-01		11141240	MDC kit, 24v, neutral start switch assembly, CCO	1

Controls

H1P control N1, N2

N1 and N2 configuration



Generic housing shown

* Included in overhaul seal kit Q210

Controls

Common parts

Item	Date Begin	Date End	Part Number	Part Name	Qty. per Model/Kit
D050	16-30		716860	Screw, M5 x 12	6
D065	16-30		327007	Plug assembly	1
D150	16-30		11173377	Control gasket	1
D250	16-30		505038	Screw, M6 x 45	6
D300	16-30		310979	Dowel pin	2
QD26	16-30		11001952	O-ring	2
QD28	16-30		063172	O-ring	2
QD30	16-30		11027883	Cap	2

Order code: N1

QD25	16-30		140750	Proportional solenoid, 12v, DEUTSCH connector	2
QD27	16-30		11004698	Coil kit, 12v, DEUTSCH connector	2
QD29	16-30		11004749	Coil nut	2
QD100	16-30		11147921	NFPE control kit, 12v, manual override, DEUTSCH connector	1

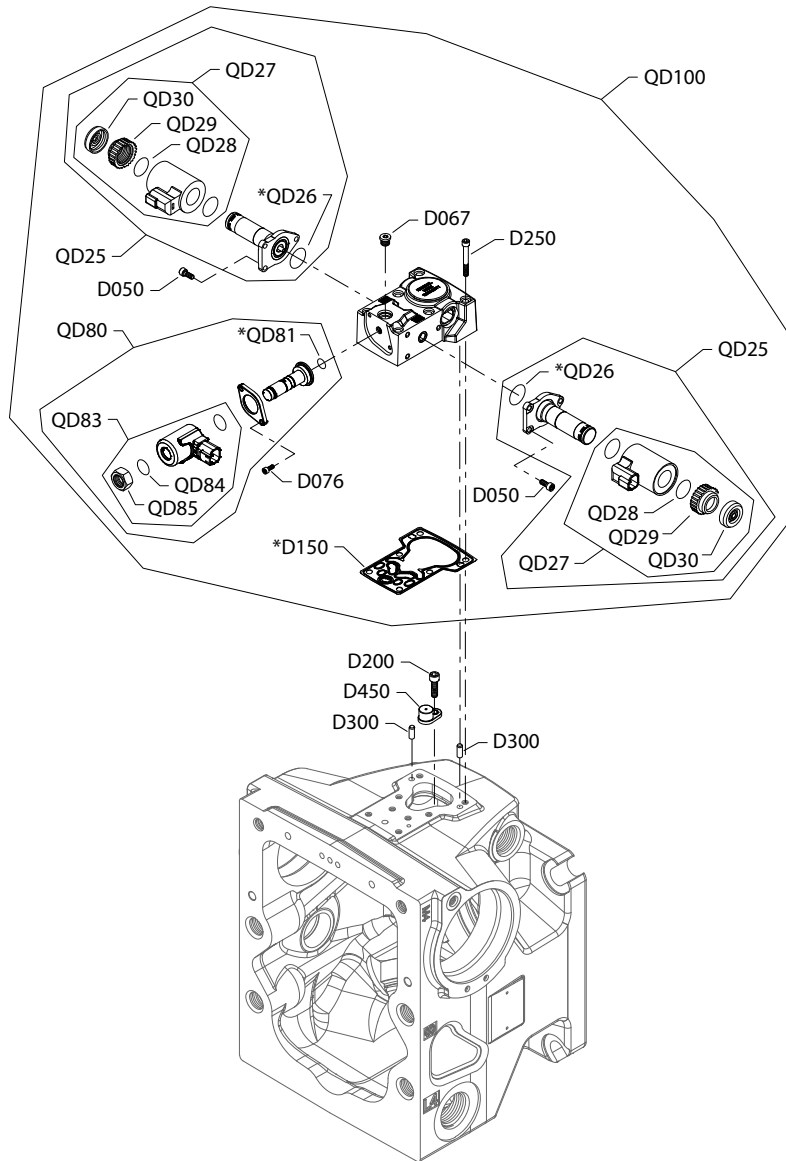
Order code: N2

QD25	16-30		140751	Proportional solenoid, 24v, DEUTSCH connector	2
QD27	16-30		11004700	Coil kit, 24v, DEUTSCH connector	2
QD29	16-30		11004750	Coil nut	2
QD100	16-30		11147925	NFPE control kit, 24v, manual override, DEUTSCH connector	1

Controls

H1P control N3, N4

N3 and N4 configuration



Generic housing shown

* Included in overhaul seal kit Q210

Controls

Common parts

Item	Date Begin	Date End	Part Number	Part Name	Qty. per Model/Kit
D050	16-30		716860	Screw, M5 x 12	6
D067	16-30		327007	Plug assembly	1
D076	16-30		067694	Screw, M4 x 10	2
D150	16-30		11173377	Control gasket	1
D200	16-30		141472	Screw, special	1
D250	16-30		505038	Screw, M6 x 45	6
D300	16-30		310979	Dowel pin	2
D450	16-30		11003097	Magnetic carrier	1
QD26	16-30		11001952	O-ring	2
QD28	16-30		063172	O-ring	2
QD29	16-30		11004749	Coil nut	2
QD30	16-30		11027883	Cap	2
QD81	16-30		11152257	O-ring	1
QD84	16-30		11140393	O-ring	1
QD85	16-30		11140394	Nut	1

Order code: N3

QD25	16-30		140750	Proportional solenoid, 12v	2
QD27	16-30		11004698	Coil kit, 12v, DEUTSCH connector	2
QD80	16-30		11129914	Solenoid, 12V, DEUTSCH connector	1
QD83	16-30		11147301	Coil kit, 12V, DEUTSCH connector	1
QD100	16-30		11147920	NFPE control kit, 12v, CCO	1

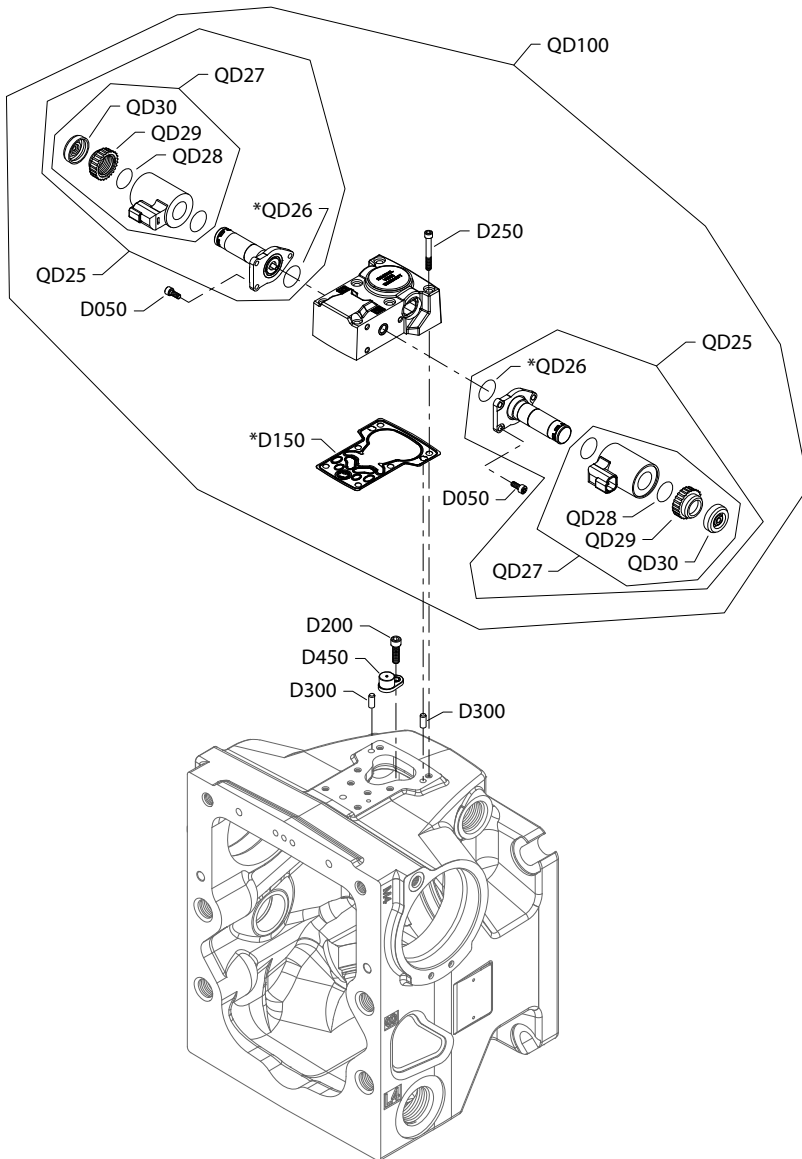
Order code: N4

QD25	16-30		140751	Proportional solenoid, 24v	2
QD27	16-30		11004700	Coil kit, 24v, DEUTSCH connector	2
QD80	16-30		11129915	Solenoid, 24V, DEUTSCH connector	1
QD83	16-30		11147332	Coil kit, 24V, DEUTSCH connector	1
QD100	16-30		11147924	NFPE control kit, 24v, CCO	1

Controls

H1P control N5, N6

N5 and N6 configuration



Generic housing shown

* Included in overhaul seal kit Q210

Controls

Common parts

Item	Date Begin	Date End	Part Number	Part Name	Qty. per Model/Kit
D050	16-30		716860	Screw, M5 x 12	6
D150	16-30		11173377	Control gasket	1
D200	16-30		141472	Screw, special	1
D250	16-30		505038	Screw, M6 x 45	6
D300	16-30		310979	Dowel pin	2
D450	16-30		11003097	Magnetic carrier	1
QD26	16-30		11001952	O-ring	2
QD28	16-30		063172	O-ring	2
QD29	16-30		11004749	Coil nut	2
QD30	16-30		11027883	Cap	2

Order code: N5

QD25	16-30		140750	Proportional solenoid, 12v	2
QD27	16-30		11004698	Coil kit, 12v, DEUTSCH connector	2
QD100	16-30		11147918	NFPE control kit, 12v, manual override	1

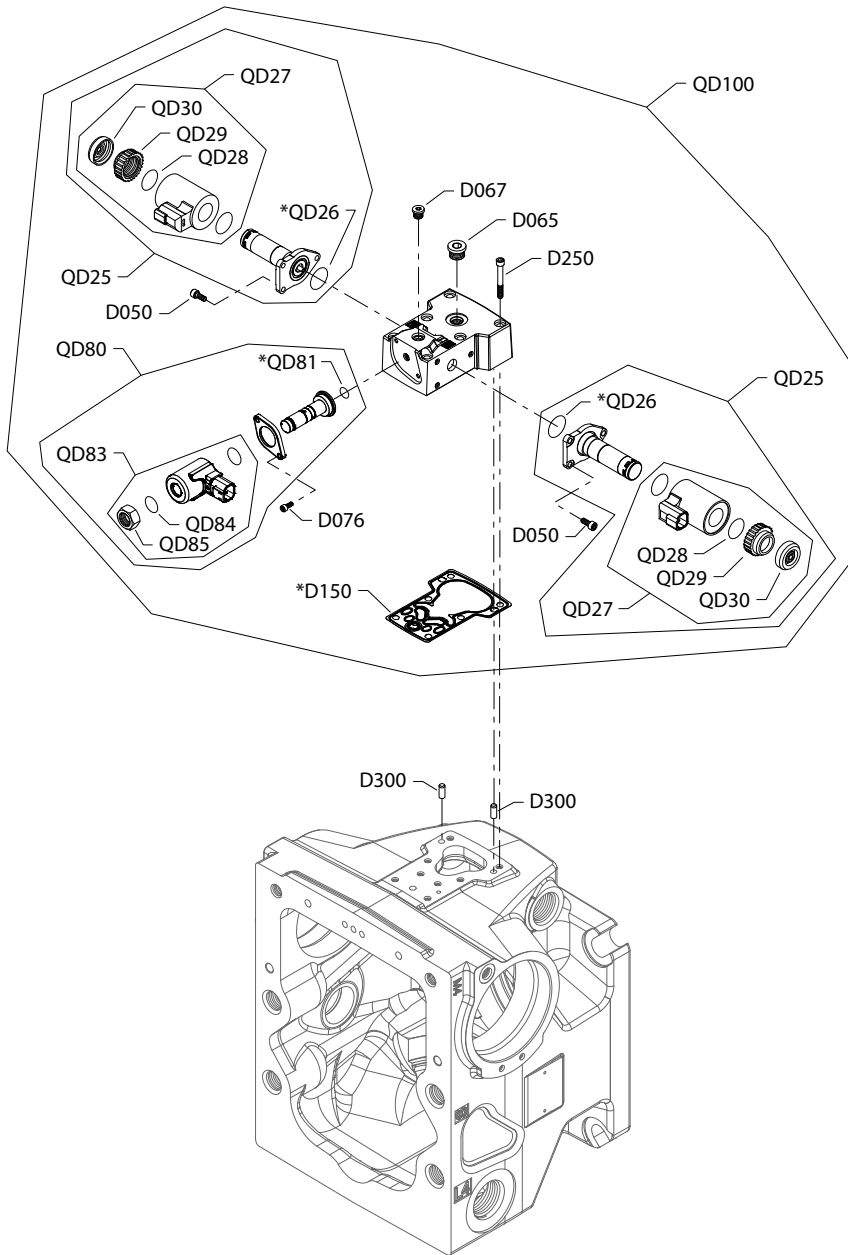
Order code: N6

QD25	16-30		140751	Proportional solenoid, 24v	2
QD27	16-30		11004700	Coil kit, 24v, DEUTSCH connector	2
QD100	16-30		11147922	NFPE control kit, 24v, manual override	1

Controls

H1P control N7, N8

N7 and N8 configuration



Generic housing shown

* Included in overhaul seal kit Q210

Controls

Common parts

Item	Date Begin	Date End	Part Number	Part Name	Qty. per Model/Kit
D050	16-30		716860	Screw, M5 x 12	6
D067	16-30		327007	Plug assembly	1
D076	16-30		067694	Screw, M4 x 10	1
D150	16-30		11173377	Control gasket	1
D250	16-30		505038	Screw, M6 x 45	6
D300	16-30		310979	Dowel pin	2
QD26	16-30		11001952	O-ring	2
QD28	16-30		063172	O-ring	2
QD30	16-30		11027883	Cap	2
QD81	16-30		11152257	O-ring	1
QD84	16-30		11140393	O-ring	1
QD85	16-30		11140394	Nut	1

Order code: N7

QD25	16-30		140750	Proportional solenoid, 12v	2
QD27	16-30		11004698	Coil kit, 12v, DEUTSCH connector	2
QD29	16-30		11004749	Coil nut	2
QD80	16-30		11129914	Solenoid, 12V, DEUTSCH connector	1
QD83	16-30		11147301	Coil kit, 12V, DEUTSCH connector	1
QD100	16-30		11147919	NFPE control kit, 12v, CCO	1

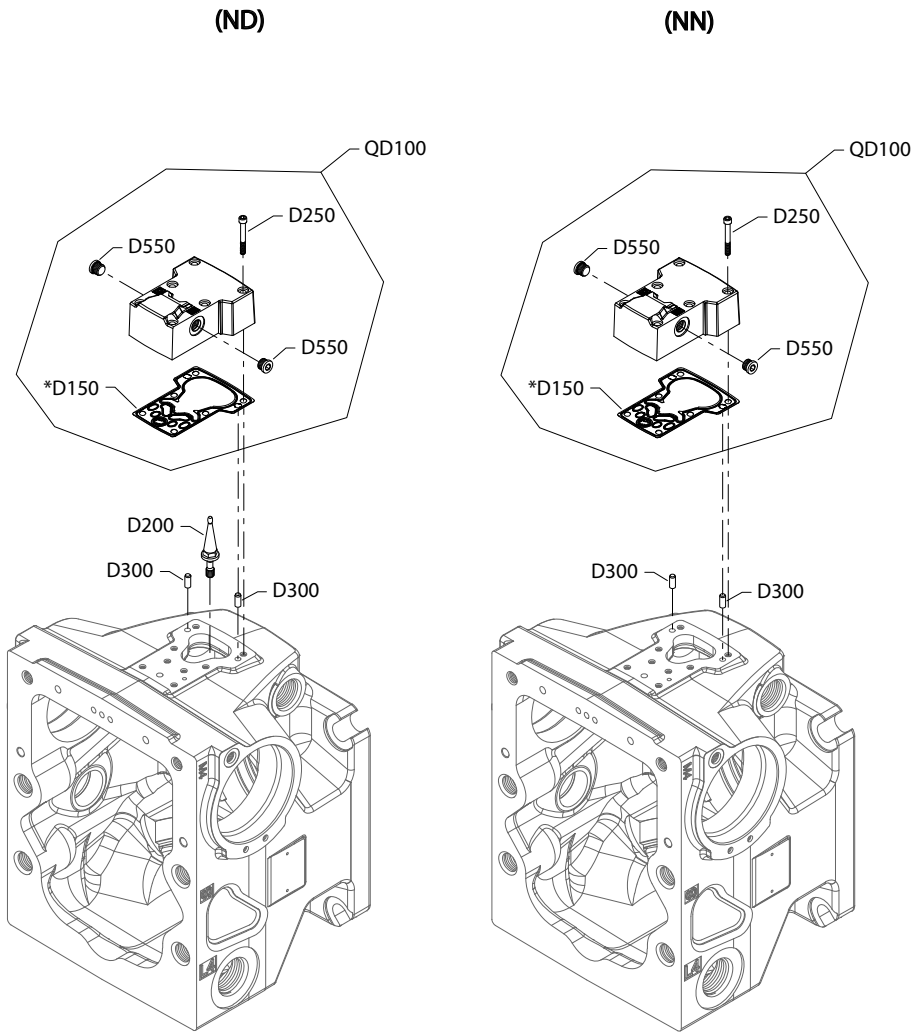
Order code: N8

QD25	16-30		140751	Proportional solenoid, 24v	2
QD27	16-30		11004700	Coil kit, 24v, DEUTSCH connector	2
QD29	16-30		11004750	Coil nut	2
QD80	16-30		11129915	Solenoid, 24V, DEUTSCH connector	1
QD83	16-30		11147332	Coil kit, 24V, DEUTSCH connector	1
QD100	16-30		11147923	NFPE control kit, 24v, CCO	1

Controls

H1P control ND, NN

ND and NN configuration



Generic housing shown

* Included in overhaul seal kit Q210

Controls

Order code: ND

Item	Date Begin	Date End	Part Number	Part Name	Qty. per Model/Kit
D150	16-02		11173377	Control gasket	1
D200	16-02		11202172	Swashplate feedback link	1
D250	16-02		505038	Screw, M6 x 45	6
D300	16-02		310979	Dowel pin	2
D550	16-02		140644	Plug assembly	2
QD100	16-02		11121984	Control cover kit	1

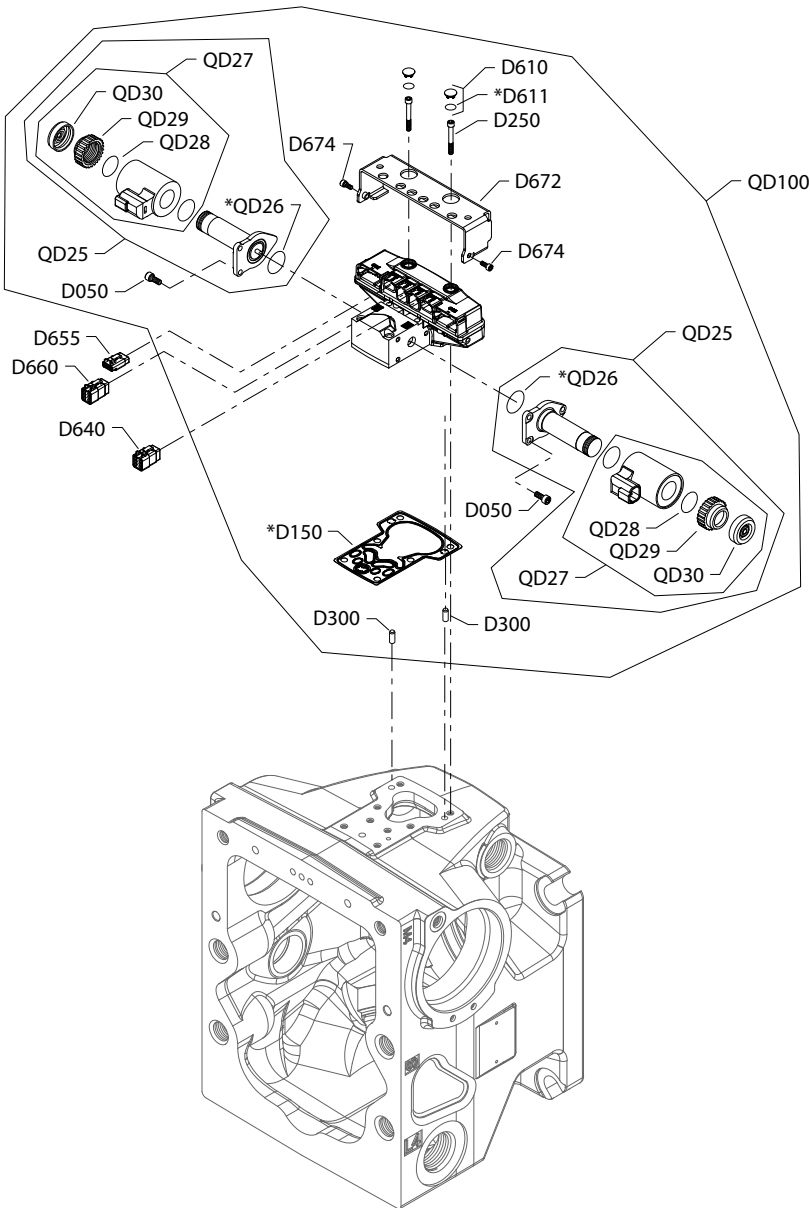
Order code: NN

D150	14-01		11173377	Control gasket (SB-2016-033 on page 147)	1
D250	14-01		505038	Screw, M6 x 45	6
D300	14-01		310979	Dowel pin	2
D550	14-01		140644	Plug assembly	2
QD100	14-01		11121984	Control cover kit	1

Controls

H1P control P5

P5 configuration



Generic housing shown

* Included in overhaul kit Q210

Controls

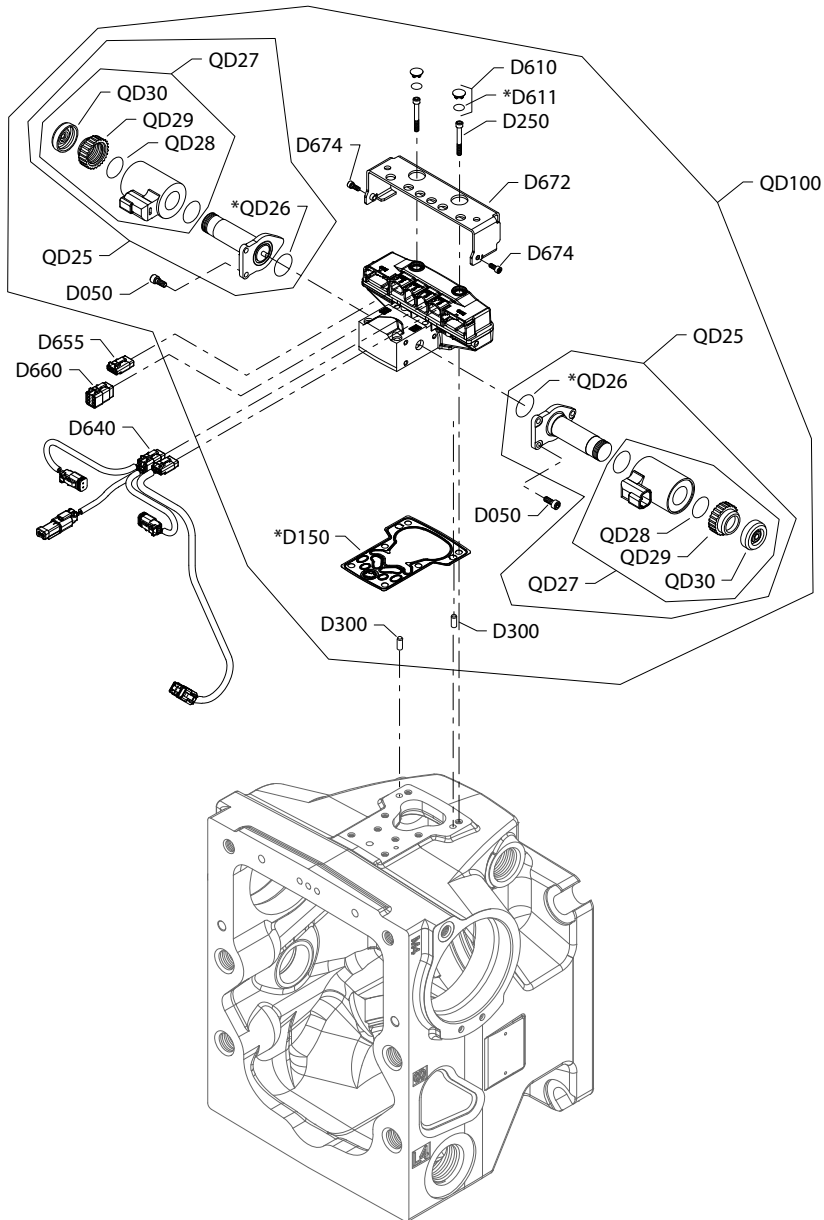
Order code: P5

Item	Date Begin	Date End	Part Number	Part Name	Qty. per Model/Kit
D050	17-15		716860	Screw, M5 x 12	6
D150	17-15		11173377	Control gasket	1
D250	17-15		505038	Screw, M6 x 45	6
D300	17-15		11036469	Dowel pin	2
D610	17-15		11000467	Plug assembly	2
D611	17-15		11066774	O-ring	2
D640	17-15		11084822	Blank, connector DTM 06-6S	1
D655	17-15		11084827	Blank, connector DTM 06-3S	1
D660	17-15		11084822	Blank, connector DTM 06-6S	1
D672	17-15		11151875	Protection	1
D674	17-15		716860	Screw, M5 x 12	2
QD25	17-15		140750	Proportional solenoid, 12 volt	2
QD26	17-15		11001952	O-ring	2
QD27	17-15		11004698	Coil kit, 12v, DEUTSCH connector	2
QD28	17-15		063172	O-ring	2
QD29	17-15		11004749	Coil nut	2
QD30	17-15		11027883	Cap	2
QD100	17-15		11147941	Automotive control kit, 12v, manual override	1

Controls

H1P control P6, P7

P6 and P7 configuration



Generic housing shown

* Included in overhaul seal kit Q210

Controls

Common parts

Item	Date Begin	Date End	Part Number	Part Name	Qty. per Model/Kit
D050	16-30		716860	Screw, M5 x 12	6
D150	16-30		11173377	Control gasket	1
D250	16-30		505038	Screw, M6 x 45	6
D300	16-30		11036469	Dowel pin	2
D610	16-30		11000467	Plug assembly	2
D611	16-30		11066774	O-ring	2
D640	16-30		11023348	AC wiring harness	1
D655	16-30		11084827	Blank, connector DTM 06-3S	1
D660	16-30		11084822	Blank, connector DTM 06-6S	1
D672	16-30		11151875	Protection	1
D674	16-30		716860	Screw, M5 x 12	2
QD26	16-30		11001952	O-ring	2
QD28	16-30		063172	O-ring	2
QD29	16-30		11004749	Coil nut	2
QD30	16-30		11027883	Cap	2

Order code: P6

QD25	16-30		140750	Proportional solenoid, 12 volt	2
QD27	16-30		11004698	Coil kit, 12v, DEUTSCH connector	2
QD100	16-30		11147941	Automotive control kit, 12v, manual override	1

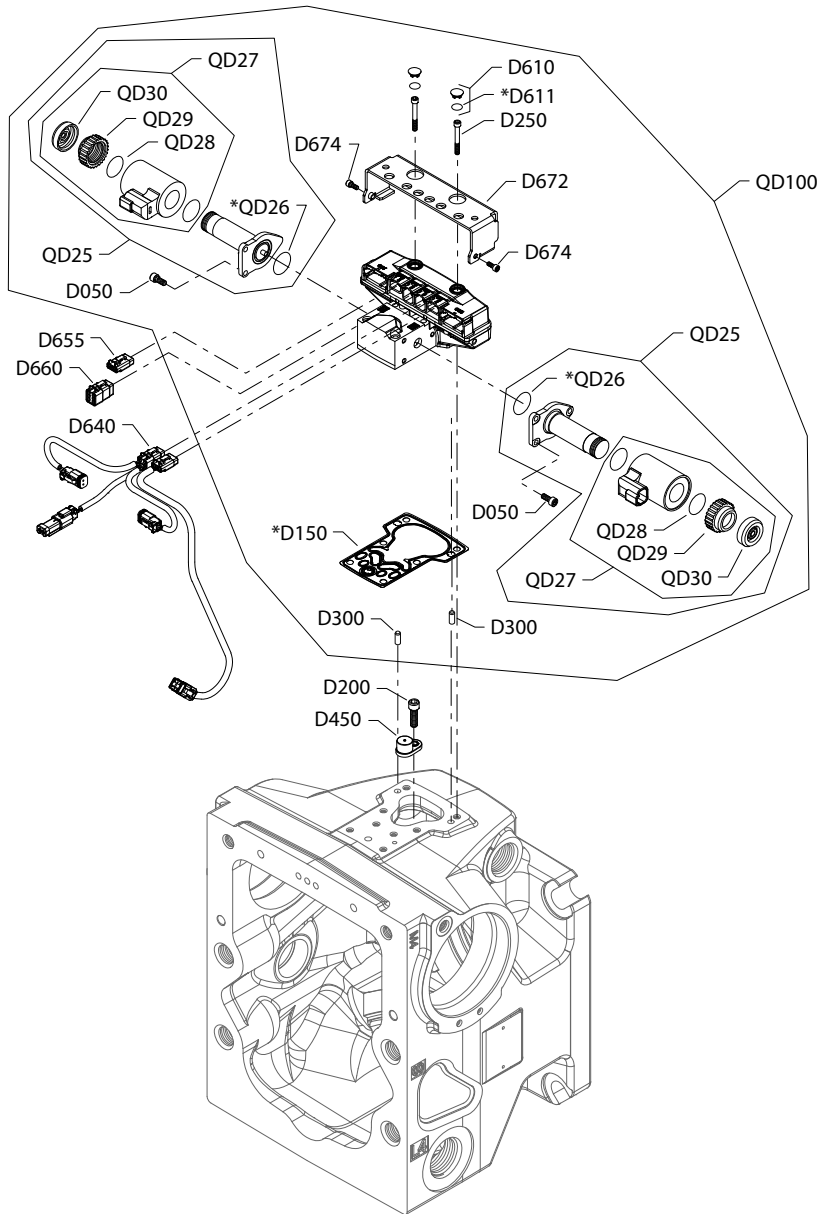
Order code: P7

QD25	16-30		140751	Proportional solenoid, 24 volt	2
QD27	16-30		11004700	Coil kit, 24v, DEUTSCH connector	2
QD100	16-30		11147943	Automotive control kit, 24v, manual override	1

Controls

H1P control P8, P9

P8 and P9 configuration



Generic housing shown

* Included in overhaul seal kit Q210

Controls

Common parts

Item	Date Begin	Date End	Part Number	Part Name	Qty. per Model/Kit
D050	16-30		716860	Screw, M5 x 12	6
D150	16-30		11173377	Control gasket	1
D200	16-30		141472	Screw, special	1
D250	16-30		505038	Screw, M6 x 45	6
D300	16-30		11036469	Dowel pin	2
D450	16-30		11003097	Magnetic carrier	1
D610	16-30		11000467	Plug assembly	2
D611	16-30		11066774	O-ring	2
D640	16-30		11023348	AC wiring harness	1
D655	16-30		11084827	Blank, connector DTM 06-3S	1
D660	16-30		11084822	Blank, connector DTM 06-6S	1
D672	16-30		11151875	Protection	1
D674	16-30		716860	Screw, M5 x 12	2
QD26	16-30		11001952	O-ring	2
QD28	16-30		063172	O-ring	2
QD30	16-30		11027883	Cap	2

Order code: P8

QD25	16-30		140750	Proportional solenoid, 12 volt	2
QD27	16-30		11004698	Coil kit, 12v, DEUTSCH connector	2
QD29	16-30		11004749	Coil nut	2
QD100	16-30		11147940	Automotive control kit, 12v, manual override	1

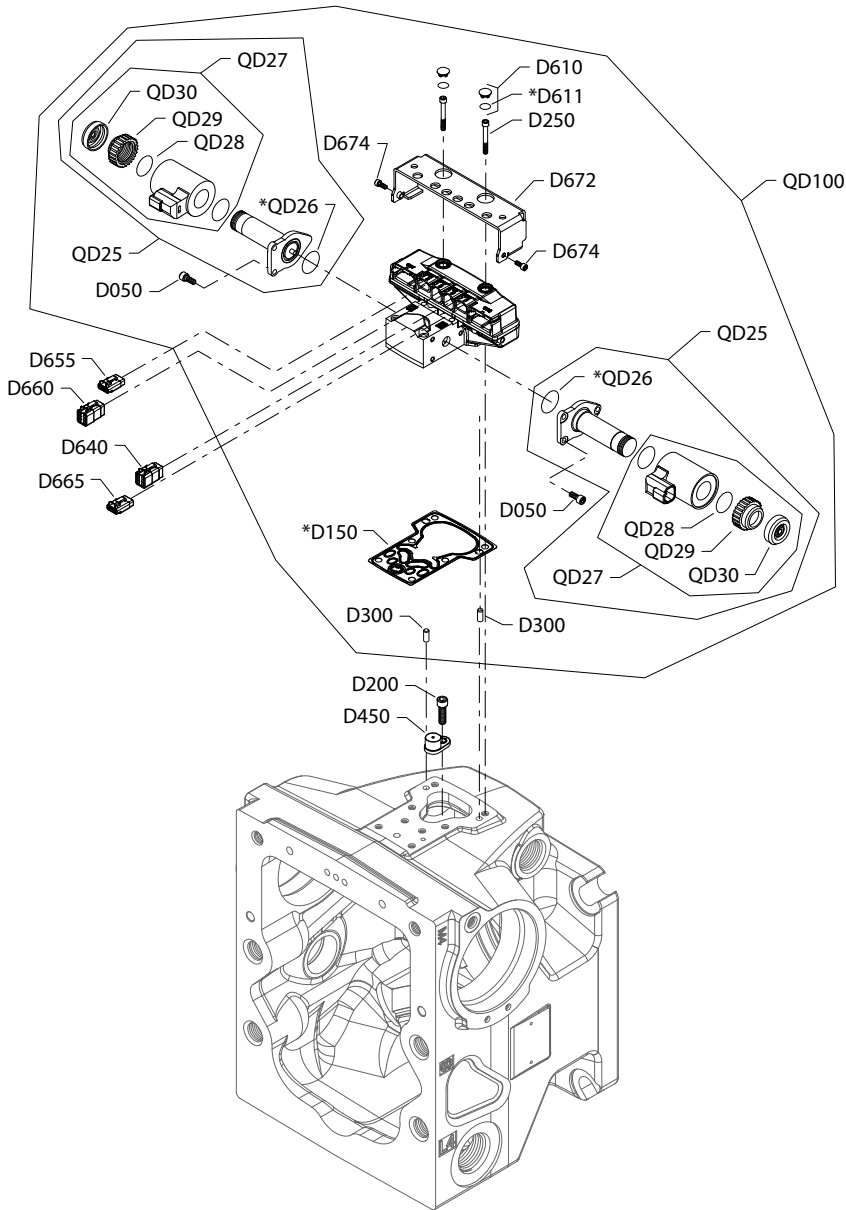
Order code: P9

QD25	16-30		140751	Proportional solenoid, 24 volt	2
QD27	16-30		11004700	Coil kit, 24v, DEUTSCH connector	2
QD29	16-30		11004750	Coil nut	2
QD100	16-30		11147942	Automotive control kit, 24v, manual override	1

Controls

H1P control R3

R3 configuration



Generic housing shown

* Included in overhaul seal kit Q210

Controls

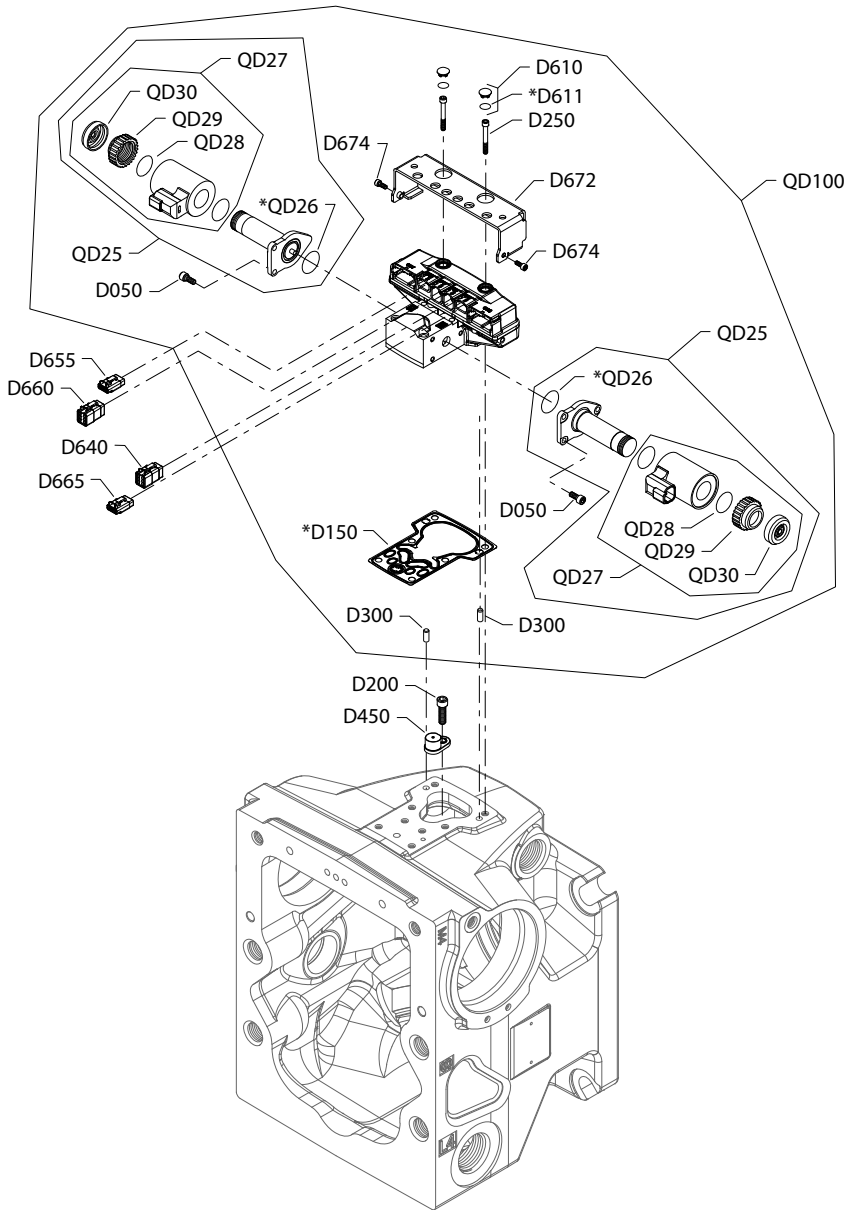
Order code: R3

Item	Date Begin	Date End	Part Number	Part Name	Qty. per Model/Kit
D050	16-17		716860	Screw, M5 x 12	6
D150	16-17		11173377	Control gasket	1
D200	16-17		141472	Screw, special	1
D250	16-17		505038	Screw, M6 x 45	6
D300	16-17		11036469	Dowel pin	2
D450	16-17		11003097	Magnetic carrier	1
D610	16-17		11000467	Plug assembly	2
D611	16-17		11066774	O-ring	2
D640	16-17		11084822	Blank, connector DTM 06-6S	1
D655	16-17		11084827	Blank, connector DTM 06-3S	1
D660	16-17		11084822	Blank, connector DTM 06-6S	1
D665	16-17		11084827	Blank, connector DTM 06-3S	1
D672	16-17		11151875	Protection	1
D674	16-17		716860	Screw, M5 x 12	2
QD25	16-17		140751	Proportional solenoid, 24 volt	2
QD26	16-17		11001952	O-ring	2
QD27	16-17		11004700	Coil kit, 24v, DEUTSCH connector	2
QD28	16-17		063172	O-ring	2
QD29	16-17		11004750	Coil nut	2
QD30	16-17		11027883	Cap	2
QD100	16-17		11147943	Automotive control kit, 24v, manual override	1

Controls

H1P control R4

R4 configuration



Generic housing shown

* Included in overhaul seal kit Q210

Controls

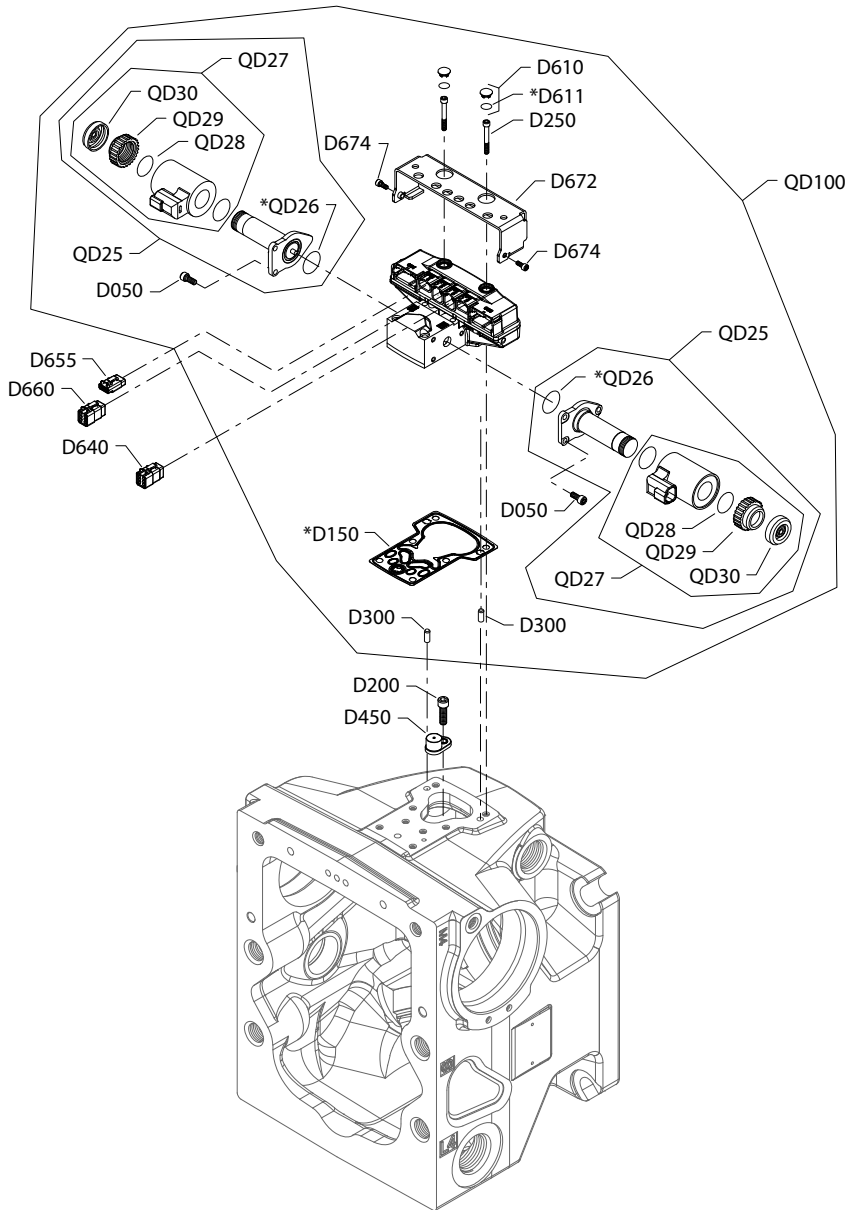
Order code: R4

Item	Date Begin	Date End	Part Number	Part Name	Qty. per Model/Kit
D050	17-15		716860	Screw, M5 x 12	6
D150	17-15		11173377	Control gasket	1
D200	17-15		141472	Screw, special	1
D250	17-15		505038	Screw, M6 x 45	6
D300	17-15		11036469	Dowel pin	2
D450	17-15		11003097	Magnetic carrier	1
D610	17-15		11000467	Plug assembly	2
D611	17-15		11066774	O-ring	2
D640	17-15		11084822	Blank, connector DTM 06-6S	1
D655	17-15		11084827	Blank, connector DTM 06-3S	1
D660	17-15		11084822	Blank, connector DTM 06-6S	1
D665	17-15		11084827	Blank, connector DTM 06-3S	1
D672	17-15		11151875	Protection	1
D674	17-15		716860	Screw, M5 x 12	2
QD25	17-15		140750	Proportional solenoid, 12 volt	2
QD26	17-15		11001952	O-ring	2
QD27	17-15		11004698	Coil kit, 12v, DEUTSCH connector	2
QD28	17-15		063172	O-ring	2
QD29	17-15		11004749	Coil nut	2
QD30	17-15		11027883	Cap	2
QD100	17-15		11147940	Automotive control kit, 12v, manual override	1

Controls

H1P control R5

R5 configuration



Generic housing shown

* Included in overhaul seal kit Q210

Controls

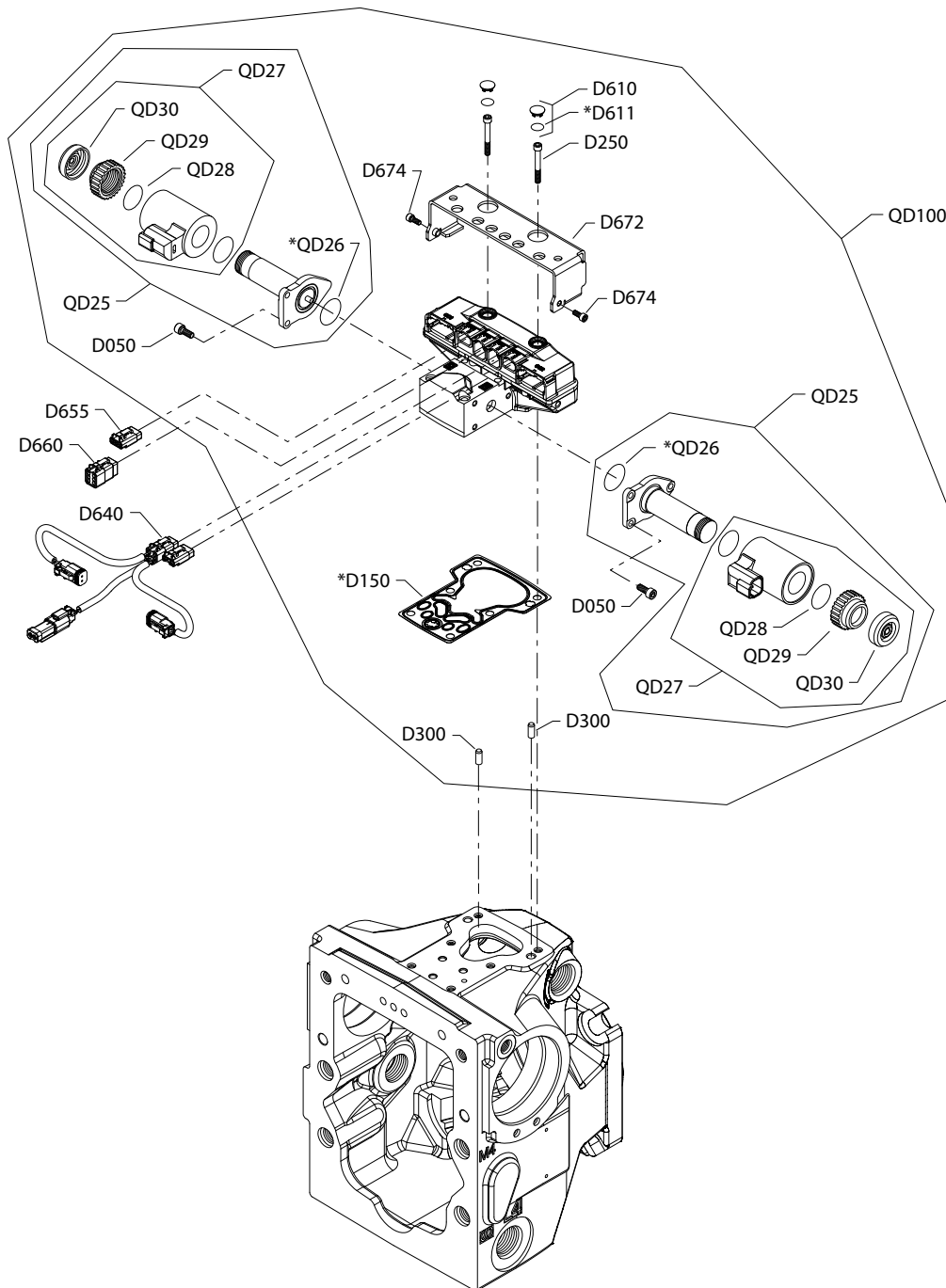
Order code: R5

Item	Date Begin	Date End	Part Number	Part Name	Qty. per Model/Kit
D050	17-15		716860	Screw, M5 x 12	6
D150	17-15		11173377	Control gasket	1
D200	17-15		141472	Screw, special	1
D250	17-15		505038	Screw, M6 x 45	6
D300	17-15		11036469	Dowel pin	2
D450	17-15		11003097	Magnetic carrier	1
D610	17-15		11000467	Plug assembly	2
D611	17-15		11066774	O-ring	2
D640	17-15		11084822	Blank, connector DTM 06-6S	1
D655	17-15		11084827	Blank, connector DTM 06-3S	1
D660	17-15		11084822	Blank, connector DTM 06-6S	1
D672	17-15		11151875	Protection	1
D674	17-15		716860	Screw, M5 x 12	2
QD25	17-15		140751	Proportional solenoid, 24 volt	2
QD26	17-15		11001952	O-ring	2
QD27	17-15		11004700	Coil kit, 24v, DEUTSCH connector	2
QD28	17-15		063172	O-ring	2
QD29	17-15		11004750	Coil nut	2
QD30	17-15		11027883	Cap	2
QD100	17-15		11147942	Automotive control kit, 24v, manual override	1

Controls

H1P control T6, T7

Parts configuration



Generic housing shown

* Included in overhaul seal kit Q210

Controls

Order code: T6

Item	Date Begin	Date End	Part Number	Part Name	Qty. per Model/Kit
D050	18-15		716860	Screw, M5 x 12	6
D150	18-15		11173377	Control Gasket	1
D250	18-15		505038	Screw, M6 x 45	6
D300	18-15		11036469	Dowel pin	2
D610	18-15		11000467	Plug assembly	2
D611	18-15		11066774	O-ring	1
D640	18-15		11197432	AC wiring harness	1
D655	18-15		11084827	Blank, connector DTM 06-3S	1
D660	18-15		11084822	Blank, connector DTM 06-6S	1
D665	18-15		11084827	Blank, connector DTM 06-3S	1
D672	18-15		11151875	Protection	1
D674	18-15		716860	Screw, M5 x 12	2
QD100	18-15		11147941	Automotive control kit, 12v, manual override	1
QD25	18-15		140750	Proportional solenoid, 12v	2
QD26	18-15		11001952	O-ring	2
QD27	18-15		11004698	Coil kit, 12v, DEUTSCH connector	2
QD28	18-15		063172	O-ring	2
QD29	18-15		11004749	Coil nut	2
QD30	18-15		11027883	Cap	2

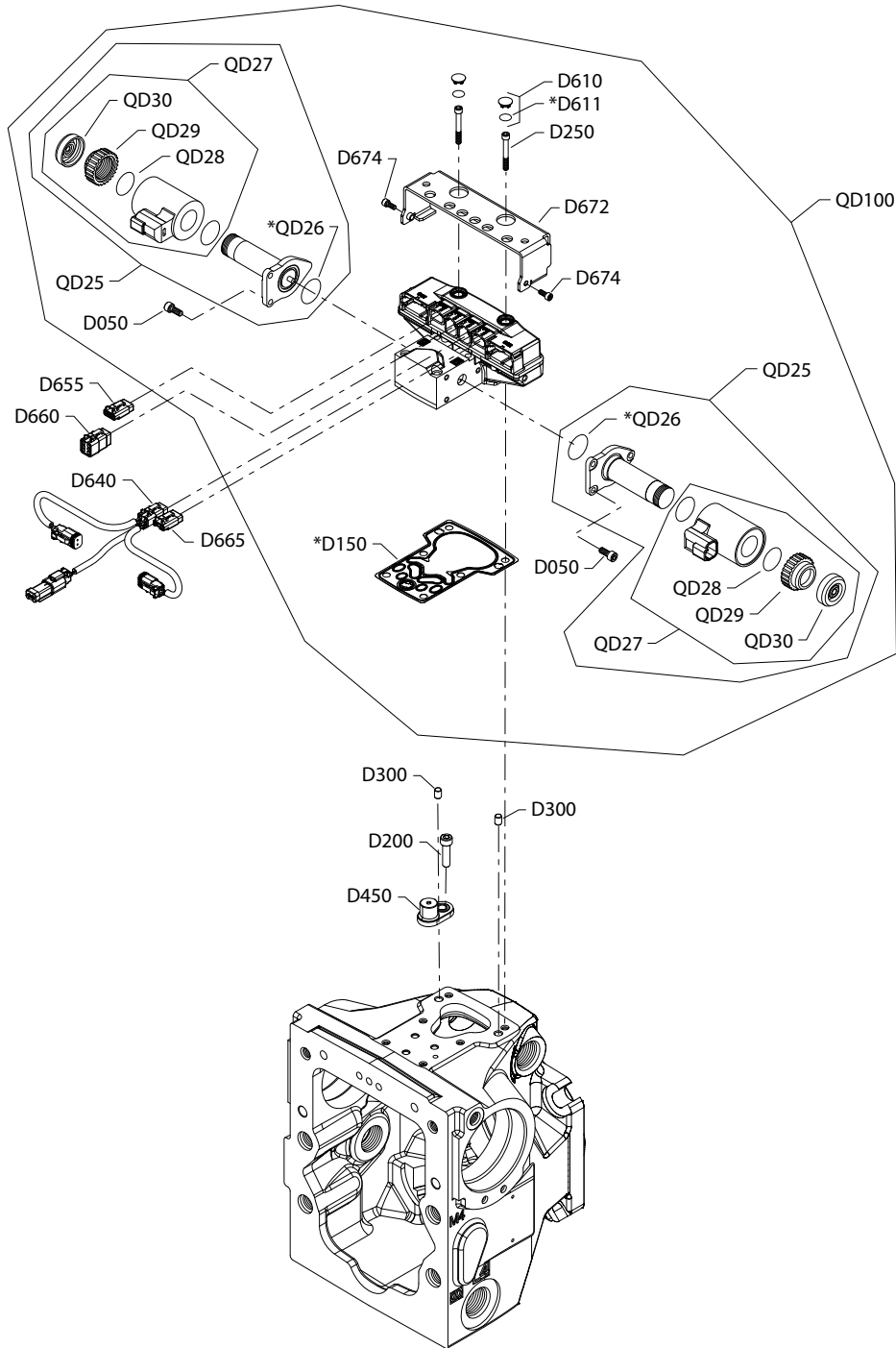
Order code: T7

D050	18-15		716860	Screw, M5 x 12	6
D150	18-15		11173377	Control gasket	1
D250	18-15		505038	Screw, M6 x 45	6
D300	18-15		11036469	Dowel pin	2
D610	18-15		11000467	Plug assembly	2
D611	18-15		11066774	O-ring	1
D640	18-15		11197432	AC wiring harness	1
D655	18-15		11084827	Blank, connector DTM 06-3S	1
D660	18-15		11084822	Blank, connector DTM 06-6S	1
D665	18-15		11084827	Blank, connector DTM 06-3S	1
D672	18-15		11151875	Protection	1
D674	18-15		716860	Screw, M5 x 12	2
QD100	18-15		11147943	Automotive control kit, 24v, manual override	1
QD25	18-15		140751	Proportional solenoid, 24v	2
QD26	18-15		11001952	O-ring	2
QD27	18-15		11004700	Coil kit, 24v, DEUTSCH connector	2
QD28	18-15		063172	O-ring	2
QD29	18-15		11004750	Coil nut	2
QD30	18-15		11027883	Cap	2

Controls

H1P control T8, T9

Parts configuration



Generic housing shown

* Included in overhaul seal kit Q210

Controls

Order code: T8

Item	Date Begin	Date End	Part Number	Part Name	Qty. per Model/Kit
D050	18-12		716860	Screw, M5 x 12	6
D150	18-12		11173377	Control gasket	1
D200	18-12		141472	Screw, special	1
D250	18-12		505038	Screw, M6 x 45	6
D300	18-12		11036469	Dowel pin	2
D450	18-12		11003097	Magnet carrier	1
D610	18-12		11000467	Plug assembly	2
D611	18-12		11066774	O-ring	1
D640	18-12		11197432	AC wiring harness	1
D655	18-12		11084827	Blank, connector DTM 06-3S	1
D660	18-12		11084822	Blank, connector DTM 06-6S	1
D665	18-12		11084827	Blank, connector DTM 06-3S	1
D672	18-12		11151875	Protection	1
D674	18-12		716860	Screw, M5 x 12	2
QD100	18-12		11147940	Automotive control kit, 12v, manual override	1
QD25	18-12		140750	Proportional solenoid, 12v	2
QD26	18-12		11001952	O-ring	2
QD27	18-12		11004698	Coil kit, 12v, DEUTSCH connector	2
QD28	18-12		063172	O-ring	2
QD29	18-12		11004749	Coil nut	2
QD30	18-12		11027883	Cap	2

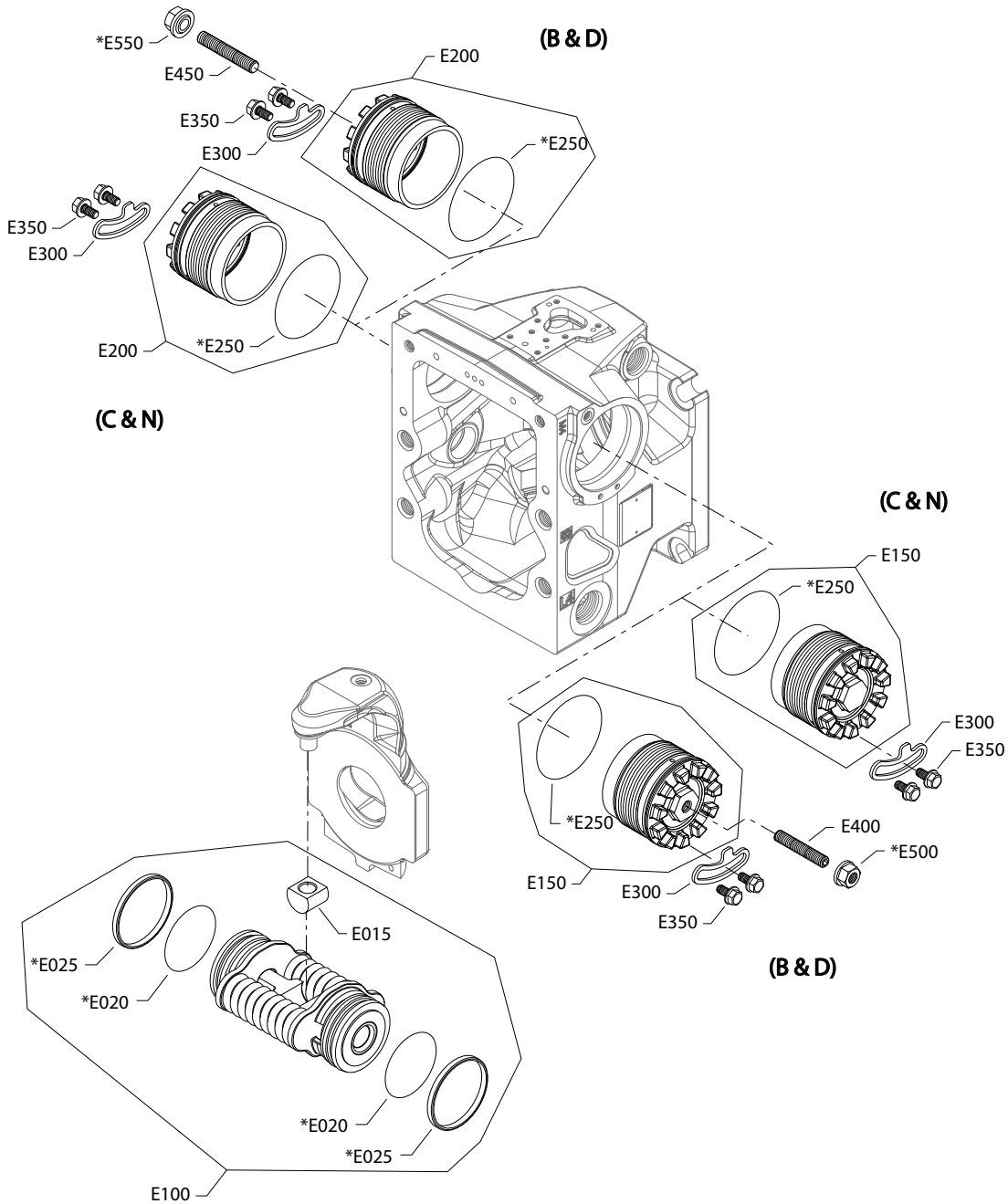
Order code: T9

D150	18-12		11173377	Control gasket	1
D200	18-12		141472	Screw, special	1
D250	18-12		505038	Screw, M6 x 45	6
D450	18-12		11003097	Magnet carrier	1
D610	18-12		11000467	Plug assembly	2
D611	18-12		11066774	O-ring	1
D640	18-12		11197432	AC wiring harness	1
D655	18-12		11084827	Blank, connector DTM 06-3S	1
D660	18-12		11084822	Blank, connector DTM 06-6S	1
D665	18-15		11084827	Blank, connector DTM 06-3S	1
D672	18-12		11151875	Protection	1
D674	18-12		716860	Screw, M5 x 12	2
QD100	18-12		11147942	Automotive control kit, 24v, manual override	1
QD25	18-12		140751	Proportional solenoid, 24v	2
QD26	18-12		11001952	O-ring	2
QD27	18-12		11004700	Coil kit, 24v, DEUTSCH connector	2
QD28	18-12		063172	O-ring	2
QD29	18-12		11004750	Coil nut	2
QD30	18-12		11027883	Cap	2

Displacement limitation

H1P 60/68 displacement limitation B-N

Parts configuration



Generic housing shown

* Included in overhaul seal kit Q210

Displacement limitation

Order code: B

Item	Date Begin	Date End	Part Number	Part Name	Qty. per Model/Kit
E015	10-48		11141989	Slider block	1
E020	10-48		11045358	O-ring	2
E025	10-48		11040065	Piston seal ring	2
E100	10-48		11142039	Servo piston assembly	1
E150	10-48		11081815	Servo cylinder assembly	1
E200	10-48		11081815	Servo cylinder assembly	1
E250	10-48		11045233	O-ring	2
E300	10-48		11041776	Locking plate	2
E350	10-48		508438	Screw, M6 x12	4
E400	10-48		719401	Set screw, M8 x 50	1
E450	10-48		719401	Set screw, M8 x 50	1
E500	10-48		505412 (9003509-0008)	Seal nut, M8	1
E550	10-48		505412 (9003509-0008)	Seal nut, M8	1

Order code: C

E015	10-48		11141989	Slider block	1
E020	10-48		11045358	O-ring	2
E025	10-48		11040065	Piston seal ring	2
E100	10-48		11142040	Servo piston assembly w/nested spring	1
E150	10-48		11081814	Servo cylinder assembly	1
E200	10-48		11081814	Servo cylinder assembly	1
E250	10-48		11045233	O-ring	2
E300	10-48		11041776	Locking plate	2
E350	10-48		508438	Screw, M6 x12	4

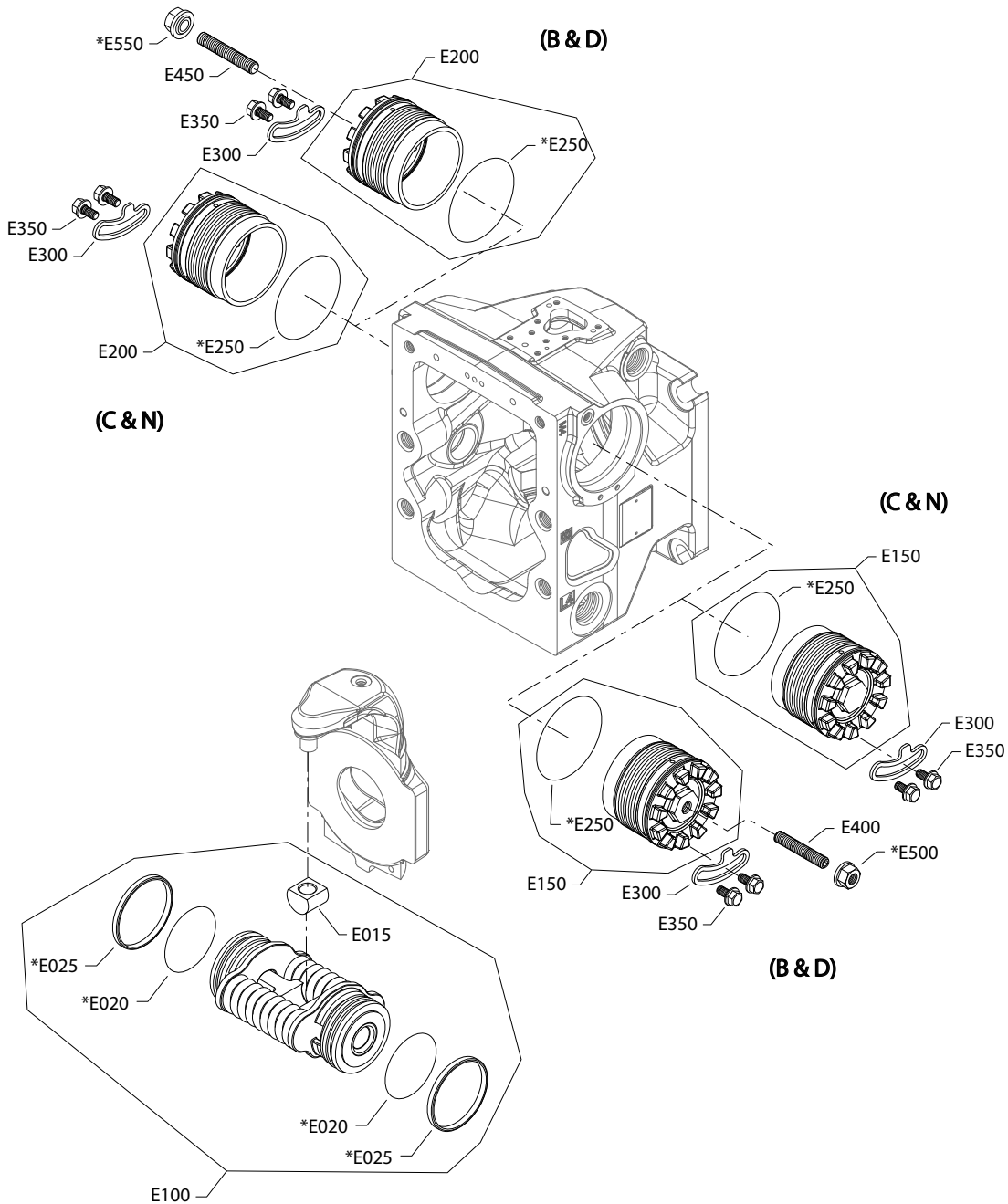
Order code: D

E015	10-48		11141989	Slider block	1
E020	10-48		11045358	O-ring	2
E025	10-48		11040065	Piston seal ring	2
E100	10-48		11142040	Servo piston assembly w/nested spring	1
E150	10-48		11081815	Servo cylinder assembly	1
E200	10-48		11081815	Servo cylinder assembly	1
E250	10-48		11045233	O-ring	2
E300	10-48		11041776	Locking plate	2
E350	10-48		508438	Screw, M6 x12	4
E400	10-48		719401	Set screw, M8 x 50	1
E450	10-48		719401	Set screw, M8 x 50	1
E500	10-48		505412 (9003509-0008)	Seal nut, M8	1
E550	10-48		505412 (9003509-0008)	Seal nut, M8	1

[Parts continue to the next 2 pages.](#)

Displacement limitation

Parts configuration



Generic housing shown

* Included in overhaul seal kit Q210

Displacement limitation

Order code: N

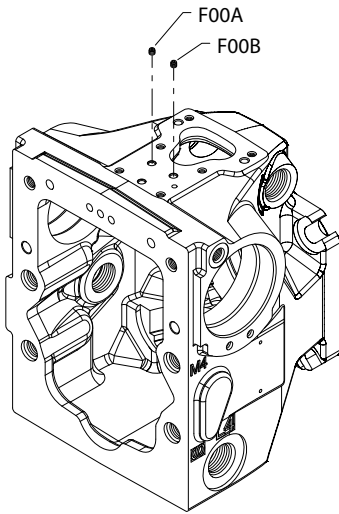
Item	Date Begin	Date End	Part Number	Part Name	Qty. per Model/Kit
E015	10-48		11141989	Slider block	1
E020	10-48		11045358	O-ring	2
E025	10-48		11040065	Piston seal ring	2
E100	10-48		11142039	Servo piston assembly	1
E150	10-48		11081814	Servo cylinder assembly	1
E200	10-48		11081814	Servo cylinder assembly	1
E250	10-48		11045233	O-ring	2
E300	10-48		11041776	Locking plate	2
E350	10-48		508438	Screw, M6 x12	4

Orifice

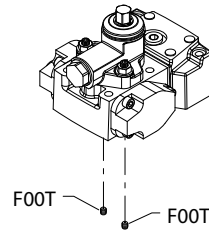
H1P 60/68cc orifice C1-E1

Parts configuration

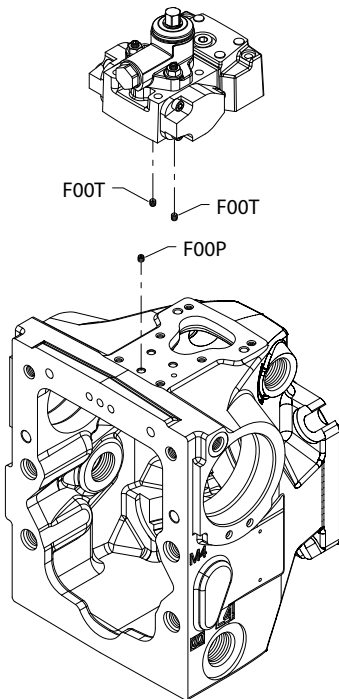
(C1, C2, C4, C5, D8, E1)



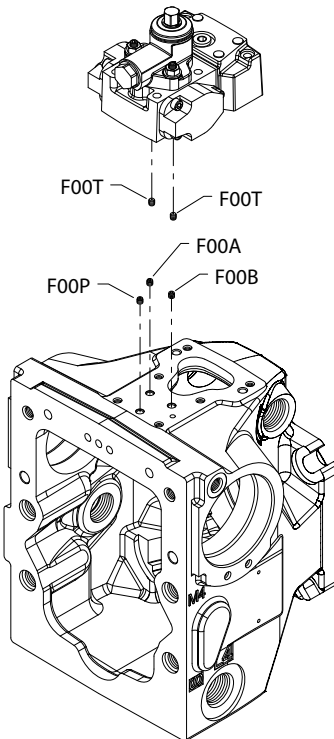
(C6, C7)



(C8, C9, D1, D2, D3)



(D4, D5)



Generic control and housing shown

Orifice

Order code: C1

Item	Date Begin	Date End	Part Number	Part Name	Qty. per Model/Kit
F00A	10-48		140611	Orifice, 0.8, M6 x 0.75 mm	1
F00B	10-48		140611	Orifice, 0.8, M6 x 0.75 mm	1

Order code: C2

F00A	10-48		140754	Orifice, 1.3, M6 x 0.75 mm	1
F00B	10-48		140754	Orifice, 1.3, M6 x 0.75 mm	1

Order code: C3

No parts					
----------	--	--	--	--	--

Order code: C4

F00A	18-10		140757	Orifice, 1.8 M6 x 0.75 mm	1
F00B	18-10		140757	Orifice, 1.8 M6 x 0.75 mm	1

Order code: C5

F00A	18-01		140759	Orifice, 2.5, M6 x 0.75mm	1
F00B	18-01		140759	Orifice, 2.5, M6 x 0.75mm	1

Order code: C6

F00T	14-44		11151734	Orifice, 1.0 M6 x 0.75 mm	2
------	-------	--	----------	---------------------------	---

Order code: C7

F00T	14-44		140754	Orifice, 1.3, M6 x 0.75 mm	2
------	-------	--	--------	----------------------------	---

Order code: C8

F00P	14-44		140611	Orifice, 0.8 M6 x 0.75 mm	1
F00T	14-44		11151733	Orifice, 0.6 M6 x 0.75 mm	2

Order code: C9

F00P	14-44		11151734	Orifice, 1.0 M6 x 0.75 mm	1
F00T	14-44		11151733	Orifice, 0.6 M6 x 0.75 mm	2

Order code: D1

F00P	14-44		11151734	Orifice, 1.0 M6 x 0.75 mm	1
F00T	14-44		140611	Orifice, 0.8 M6 x 0.75 mm	2

Order code: D2

F00P	14-44		140754	Orifice, 1.3, M6 x 0.75 mm	1
F00T	14-44		140611	Orifice, 0.8 M6 x 0.75 mm	2

Orifice

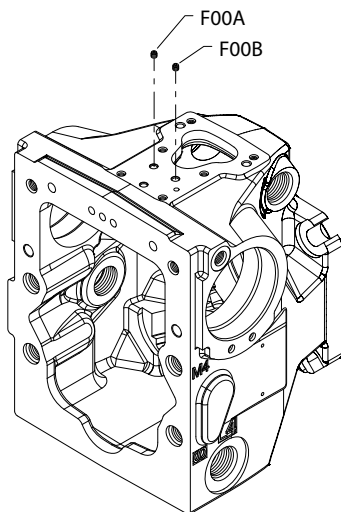
Order code: D3

F00P	14-44		140754	Orifice, 1.3, M6 x 0.75 mm	1
F00T	14-44		11151734	Orifice, 1.0 M6 x 0.75 mm	2

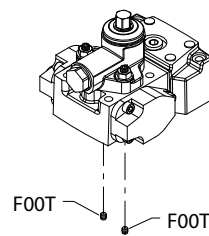
[Parts continue to the next 2 pages.](#)

Parts configuration

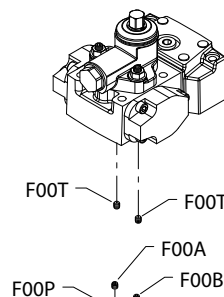
(C1, C2, C4, C5, D8, E1)



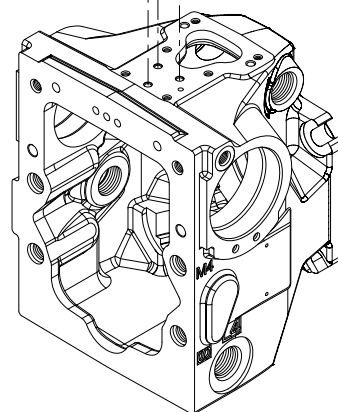
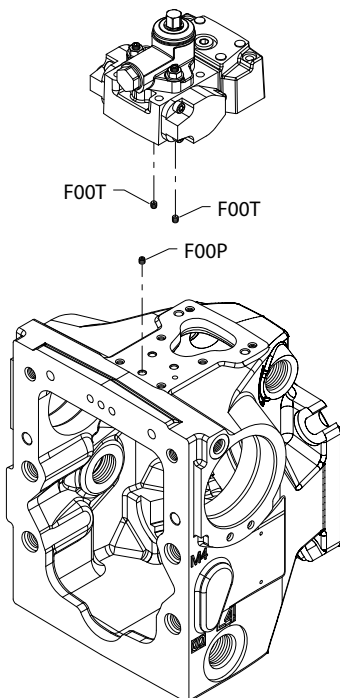
(C6, C7)



(D4, D5)



(C8, C9, D1, D2, D3)



[Generic control and housing shown](#)

Orifice

Order code: D4

Item	Date Begin	Date End	Part Number	Part Name	Qty. per Model/Kit
F00A	14-44		140754	Orifice, 1.3, M6 x 0.75 mm	1
F00B	14-44		140754	Orifice, 1.3, M6 x 0.75 mm	1
F00P	14-44		140754	Orifice, 1.3, M6 x 0.75 mm	1
F00T	14-44		11151734	Orifice, 1.0 M6 x 0.75 mm	2

Order code: D5

F00A	14-44		140611	Orifice, 0.8 M6 x 0.75 mm	1
F00B	14-44		140611	Orifice, 0.8 M6 x 0.75 mm	1
F00P	14-44		11151733	Orifice, 0.6 M6 x 0.75 mm	1
F00T	14-44		11151733	Orifice, 0.6 M6 x 0.75 mm	2

Order code: D8

F00A	17-07		11189557	Orifice, 2.3, M6 x 0.75mm	1
F00B	17-07		11189557	Orifice, 2.3, M6 x 0.75mm	1

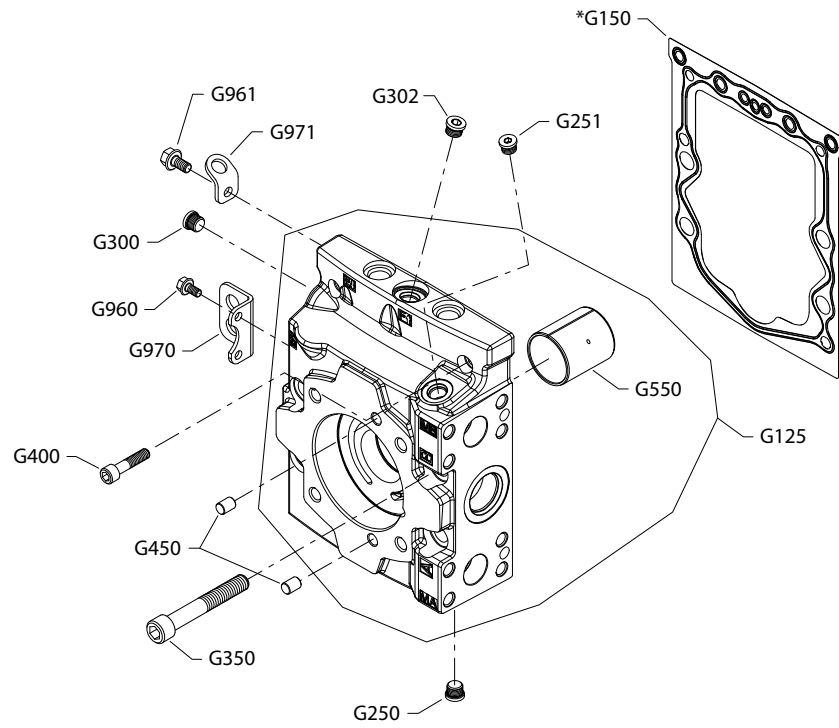
Order code: E1

F00A	17-09		11151734	Orifice, 1.0, M6 x 0.75	1
F00B	17-09		11151734	Orifice, 1.0, M6 x 0.75	1

End cap

H1P 60/68cc end cap D3, D6

Parts configuration



* Included in overhaul seal kit Q210

End cap

Common parts

Item	Date Begin	Date End	Part Number	Part Name	Qty. per Model/Kit
G150	10-48		11040066	End cap gasket	1
G250	10-48		140644	Plug assembly	1
G251	10-48		140644	Plug assembly	1
G300	10-48		140644	Plug assembly	1
G302	10-48		140644	Plug assembly	1
G350	10-48		11049249	Screw, M14 x 80	4
G400	10-48		092106	Screw, M8 x 35	2
G450	10-48		5000757	Dowel pin	2
G550	10-48		11038841	Journal bearing	1
G960	10-48		508438	Screw, M6 x 12	2
G961	10-48		508438	Screw, M6 x 12	1
G970	10-48		4460311	Lifting bracket	1
G971	10-48		4800754	Lifting bracket	1

Order code: D3

G125	10-48		11040057	End cap assembly, CW	1
G125	10-48		11040056	End cap assembly, CCW	1

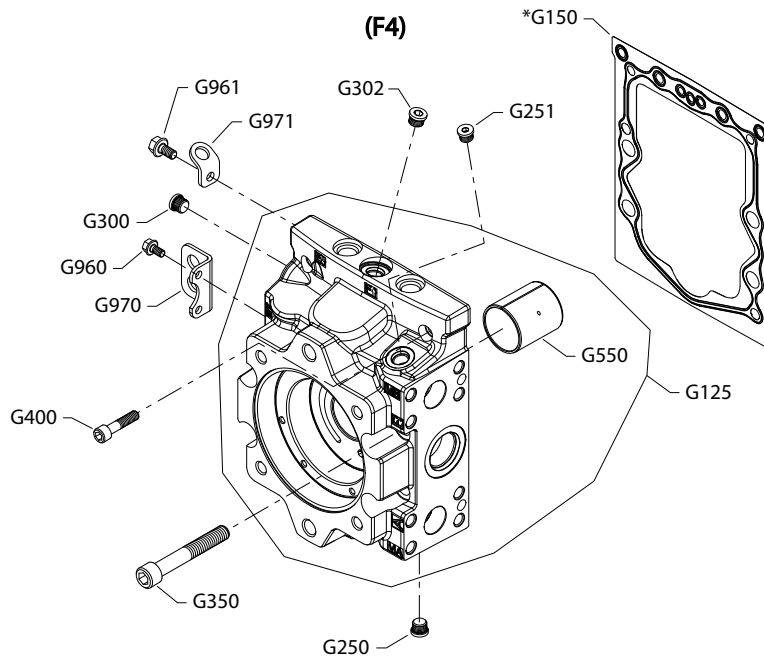
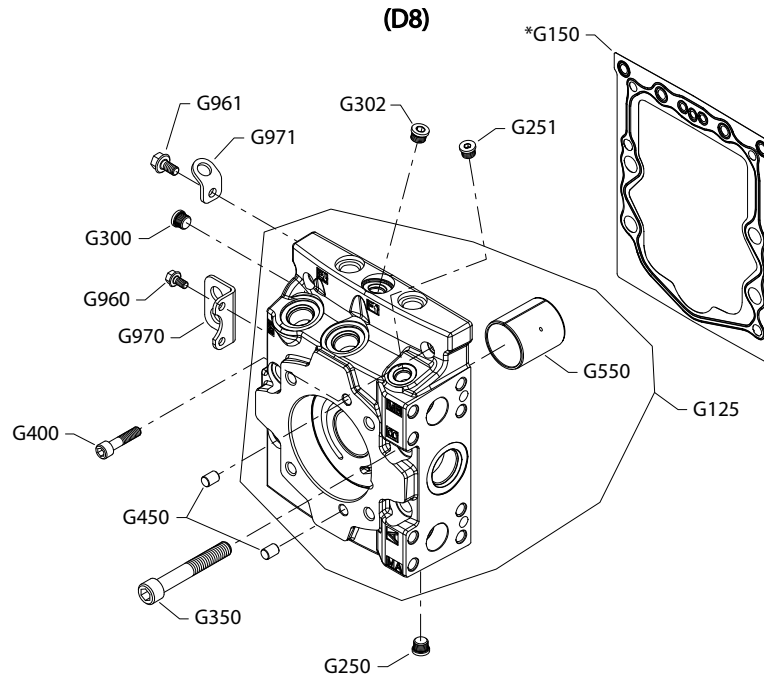
Order code: D6

G125	10-48		11040053	End cap assembly, CW	1
G125	10-48		11040052	End cap assembly, CCW	1

End cap

H1P 60/68cc end cap D8, F4

Parts configuration



* Included in overhaul seal kit Q210

End cap

Common parts

Item	Date Begin	Date End	Part Number	Part Name	Qty. per Model/Kit
G150	10-48		11040066	End cap gasket	1
G250	10-48		140644	Plug assembly	1
G251	10-48		140644	Plug assembly	1
G300	10-48		140644	Plug assembly	1
G302	10-48		140644	Plug assembly	1
G350	10-48		11049249	Screw, M14 x 80	4
G400	10-48		092106	Screw, M8 x 35	2
G550	10-48		11038841	Journal bearing	1
G960	10-48		508438	Screw, M6 x 12	2
G961	10-48		508438	Screw, M6 x 12	1
G970	10-48		4460311	Lifting bracket	1
G971	10-48		4800754	Lifting bracket	1

Order code: D8

G125	10-48		11040055	End cap assembly, CW	1
G125	10-48		11040054	End cap assembly, CCW	1
G450	10-48		5000757	Dowel pin	2

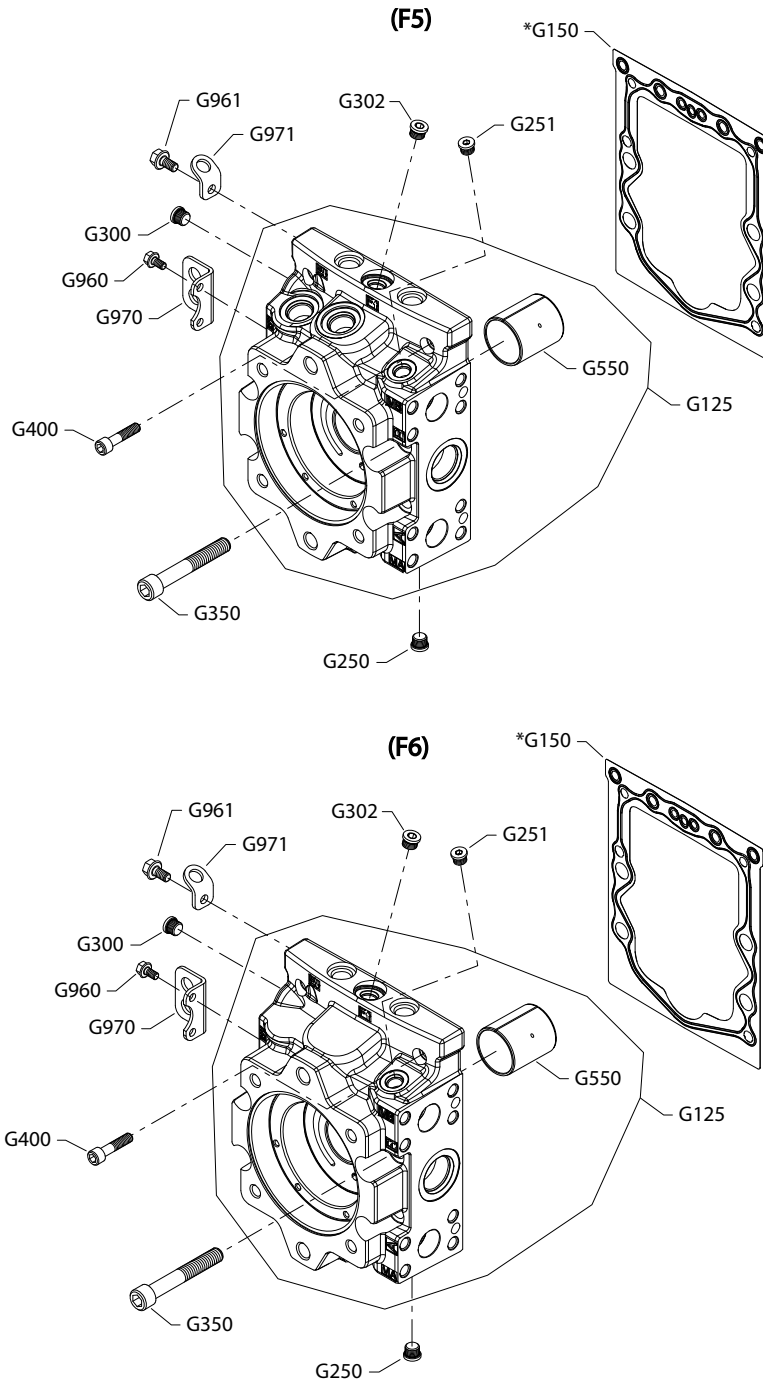
Order code: F4

G125	10-48		11040059	End cap assembly, CW	1
G125	10-48		11040058	End cap assembly, CCW	1

End cap

H1P 60/68cc end cap F5, F6

Parts configuration



* Included in overhaul seal kit Q210

End cap

Common parts

Item	Date Begin	Date End	Part Number	Part Name	Qty. per Model/Kit
G150	10-48		11040066	End cap gasket	1
G250	10-48		140644	Plug assembly	1
G251	10-48		140644	Plug assembly	1
G300	10-48		140644	Plug assembly	1
G302	10-48		140644	Plug assembly	1
G350	10-48		11049249	Screw, M14 x 80	4
G400	10-48		092106	Screw, M8 x 35	2
G550	10-48		11038841	Journal bearing	1
G960	10-48		508438	Screw, M6 x 12	2
G961	10-48		508438	Screw, M6 x 12	1
G970	10-48		4460311	Lifting bracket	1
G971	10-48		4800754	Lifting bracket	1

Order code: F5

G125	10-48		11040061	End cap assembly, CW	1
G125	10-48		11040060	End cap assembly, CCW	1

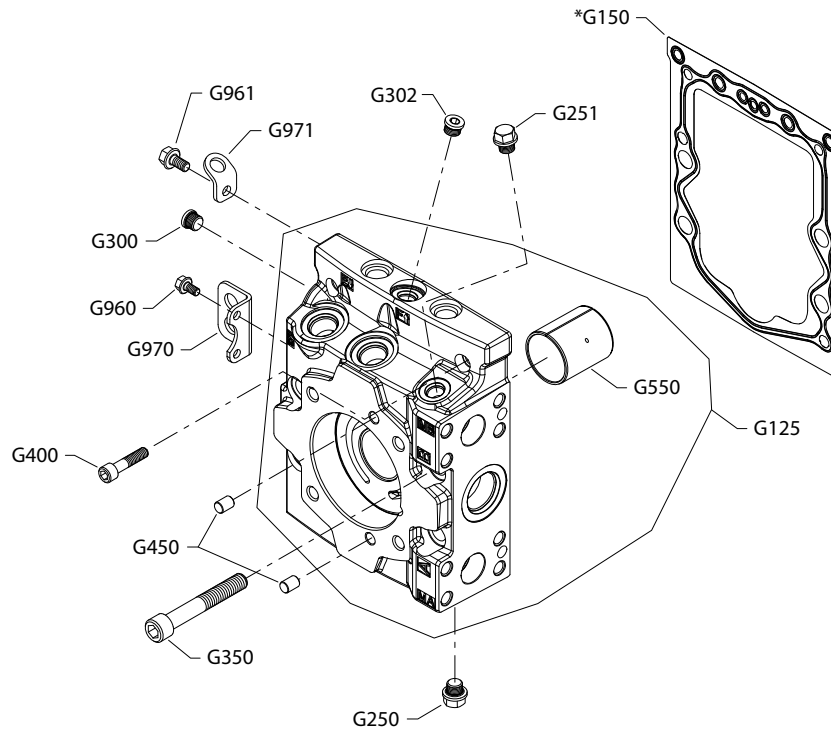
Order code: F6

G125	10-48		11040063	End cap assembly, CW	1
G125	10-48		11040062	End cap assembly, CCW	1

End cap

H1P 60/68cc end cap G9

Parts configuration



* Included in overhaul seal kit Q210

End cap

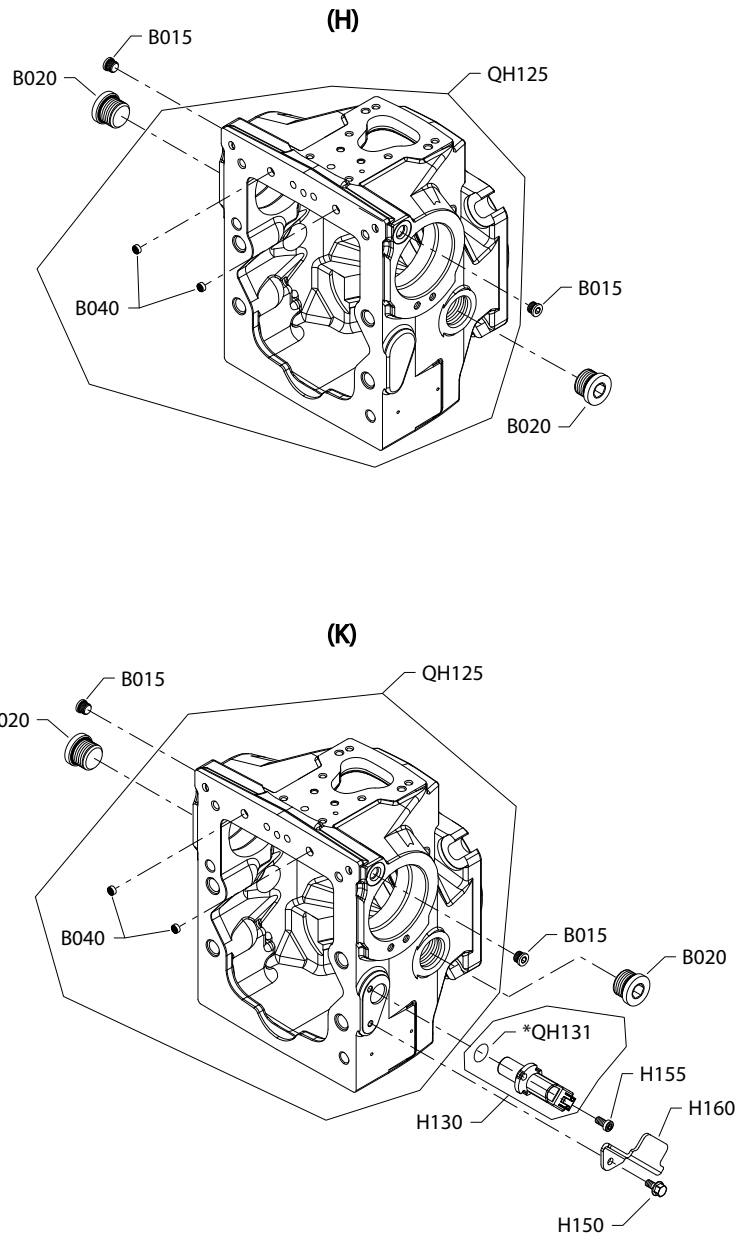
Order code: G9

Item	Date Begin	Date End	Part Number	Part Name	Qty. per Model/Kit
G125	10-48		11040055	End cap assembly, CW	1
G150	10-48		11040066	End cap gasket	1
G250	10-48		11147119	Plug assembly, special	1
G251	10-48		11147119	Plug assembly, special	1
G300	10-48		140644	Plug assembly	1
G302	10-48		140644	Plug assembly	1
G350	10-48		11049249	Screw, M14 x 80	4
G400	10-48		092106	Screw, M8 x 35	2
G450	10-48		5000757	Dowel pin	2
G550	10-48		11038841	Journal bearing	1
G960	10-48		508438	Screw, M6 x 12	2
G961	10-48		508438	Screw, M6 x 12	1
G970	10-48		4460311	Lifting bracket	1
G971	10-48		4800754	Lifting bracket	1

Housing and shafts

H1P 60/68cc housing H, K

Parts configuration



* Included in overhaul seal kit Q210

Housing and shafts

Order code: H

Item	Date Begin	Date End	Part Number	Part Name	Qty. per Model/Kit
B015	10-48		327007 (9005110-4400)	Plug assembly	2
B020	10-48		664524 (9005110-9000)	Plug assembly	2
B040	10-48		140967	Screen, 8 mm, 125 micron	2
QH125	10-48		11145206	Housing assembly, H1P060/068	1

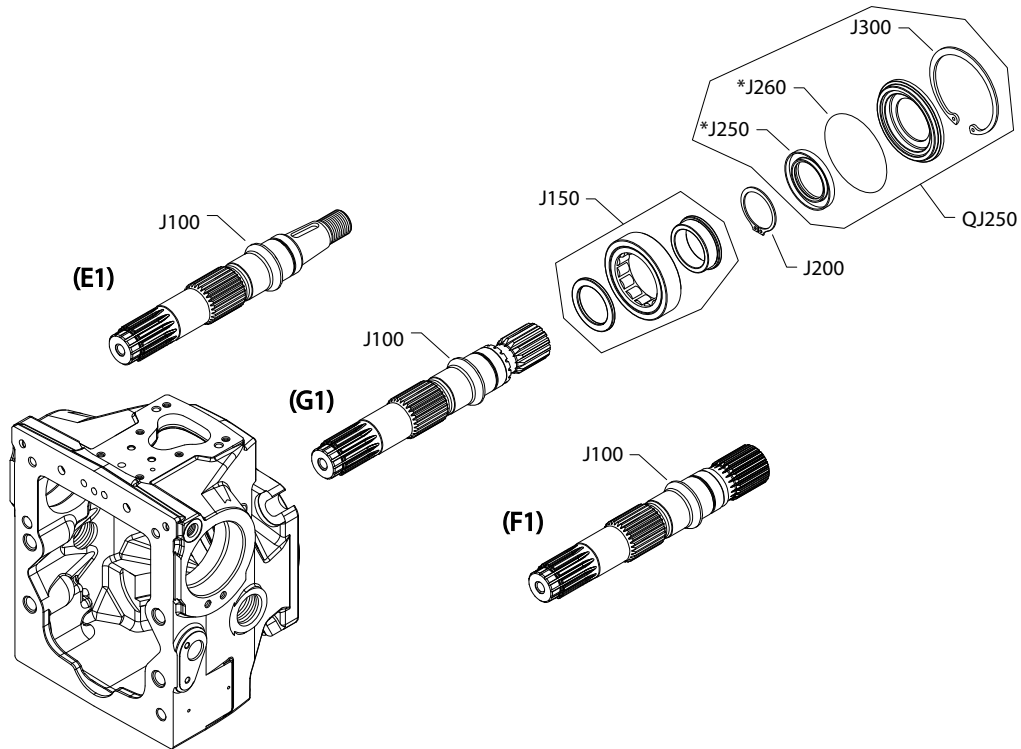
Order code: K

B015	10-48		327007 (9005110-4400)	Plug assembly	2
B020	10-48		664524 (9005110-9000)	Plug assembly	2
B040	10-48		140967	Screen, 8 mm, 125 micron	2
H150	10-48		508438	Screw, M6 x 12	1
H155	10-48		376749	Screw, M6 x 12	1
H160	10-48		11186383	Speed sensor protector	1
H130	10-48		149055	Speed sensor assembly	1
QH125	10-48		11145207	Housing assembly, H1P060/068	1
QH131	10-48		11013397	O-ring	1

Housing and shafts

H1P 60/68cc shaft E1-G1

Parts configuration



Generic housing shown

* Included in overhaul seal kit Q210

Housing and shafts

Order code: E1

Item	Date Begin	Date End	Part Number	Part Name	Qty. per Model/Kit
J100	13-05		11039239	Shaft, tapered	1
J150	13-05		357616	Roller bearing	1
J200	13-05		9006300-0137	Retaining ring	2
J250	13-05		141936	Lip seal	1
J260	13-05		9004104-2310	O-ring	1
J300	13-05		9006200-0281	Retaining ring	1
QJ250	13-05		11077181	Shaft seal kit	1

Order code: F1

J100	10-48		11038239	Shaft, 21 tooth spline, 16/32 pitch	1
J150	10-48		357616	Roller bearing	1
J200	10-48		9006300-0137	Retaining ring	2
J250	10-48		141936	Lip seal	1
J260	10-48		9004104-2310	O-ring	1
J300	10-48		9006200-0281	Retaining ring	1
QJ250	10-48		11077181	Shaft seal kit	1

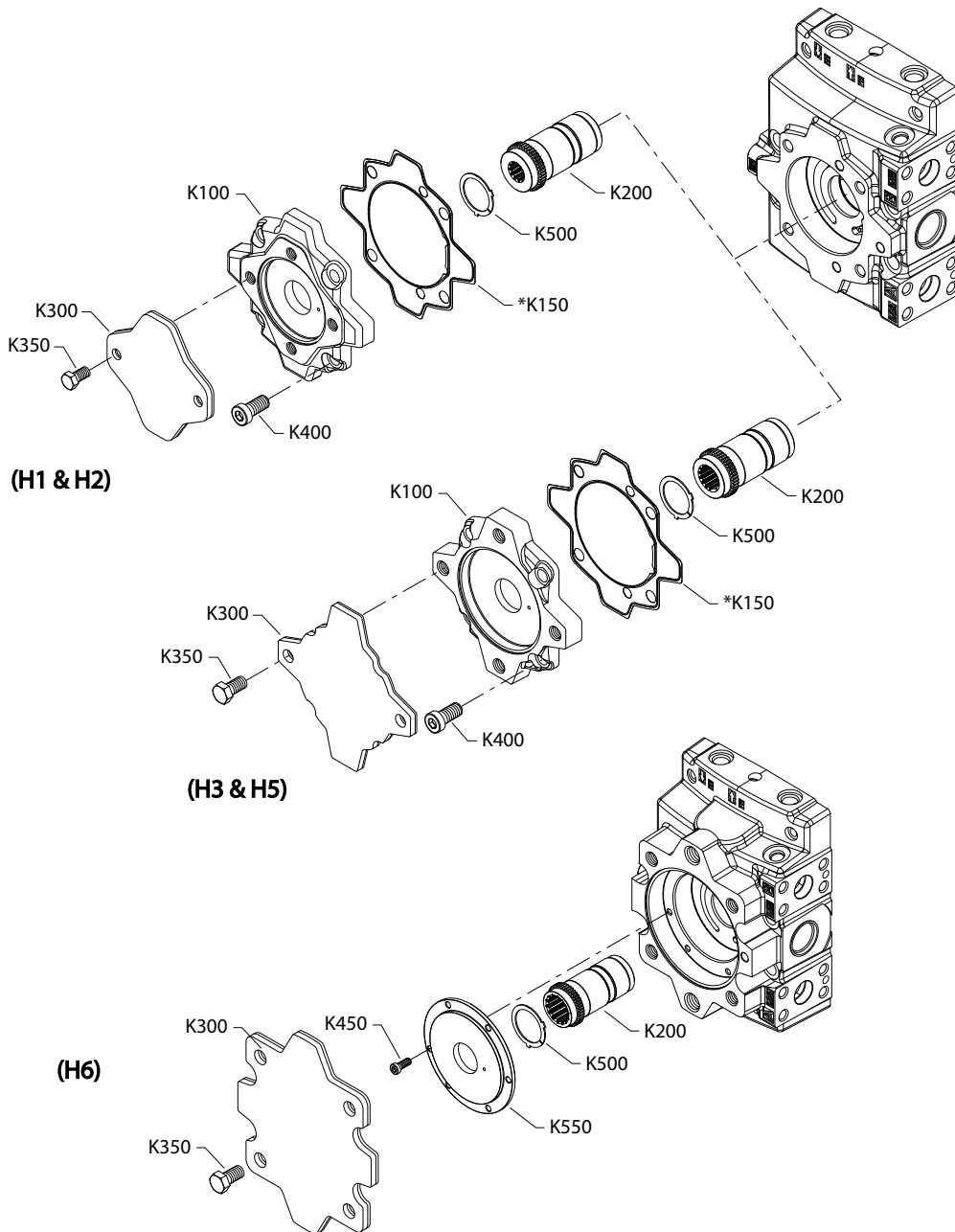
Order code: G1

J100	10-48		11038238	Shaft, 14 tooth spline, 12/24 pitch	1
J150	10-48		357616	Roller bearing	1
J200	10-48		9006300-0137	Retaining ring	2
J250	10-48		141936	Lip seal	1
J260	10-48		9004104-2310	O-ring	1
J300	10-48		9006200-0281	Retaining ring	1
QJ250	10-48		11077181	Shaft seal kit	1

Auxiliary mounting

H1P 60/68cc auxiliary mounting H1-H6

Parts configuration



* Included in overhaul seal kit Q210

Auxiliary mounting

Order code: H1

Item	Date Begin	Date End	Part Number	Part Name	Qty. per Model/Kit
K100	10-48		140927	Adapter flange, SAE A	1
K150	10-48		11029873	Adapter seal	1
K200	10-48		11038273	Coupling, 11 tooth, 16/32 pitch	1
K300	10-48		11017125	Flange cover	1
K350	10-48		370247	Screw, M10 x 20	2
K400	10-48		11000819	Screw, M12 x 25	4
K500	10-48		141105	Thrust washer	1

Order code: H2

K100	10-48		140927	Adapter flange, SAE A	1
K150	10-48		11029873	Adapter seal	1
K200	10-48		11039241	Coupling, 9 tooth, 16/32 pitch	1
K300	10-48		11017125	Flange cover	1
K350	10-48		370247	Screw, M10 x 20	2
K400	10-48		11000819	Screw, M12 x 25	4
K500	10-48		141105	Thrust washer	1

Order code: H3

K100	10-48		141240	Adapter flange, SAE B	1
K150	10-48		11029873	Adapter seal	1
K200	10-48		11038236	Coupling, 13 tooth, 16/32 pitch	1
K300	10-48		11023746	Flange cover	1
K350	10-48		5000760	Screw, M12 x 20	2
K400	10-48		11000819	Screw, M12 x 25	4
K500	10-48		141105	Thrust washer	1

Order code: H5

K100	10-48		141240	Adapter flange, SAE B	1
K150	10-48		11029873	Adapter seal	1
K200	10-48		11039252	Coupling, 15 tooth, 16/32 pitch	1
K300	10-48		11023746	Flange cover	1
K350	10-48		5000760	Screw, M12 x 20	2
K400	10-48		11000819	Screw, M12 x 25	4
K500	10-48		141105	Thrust washer	1

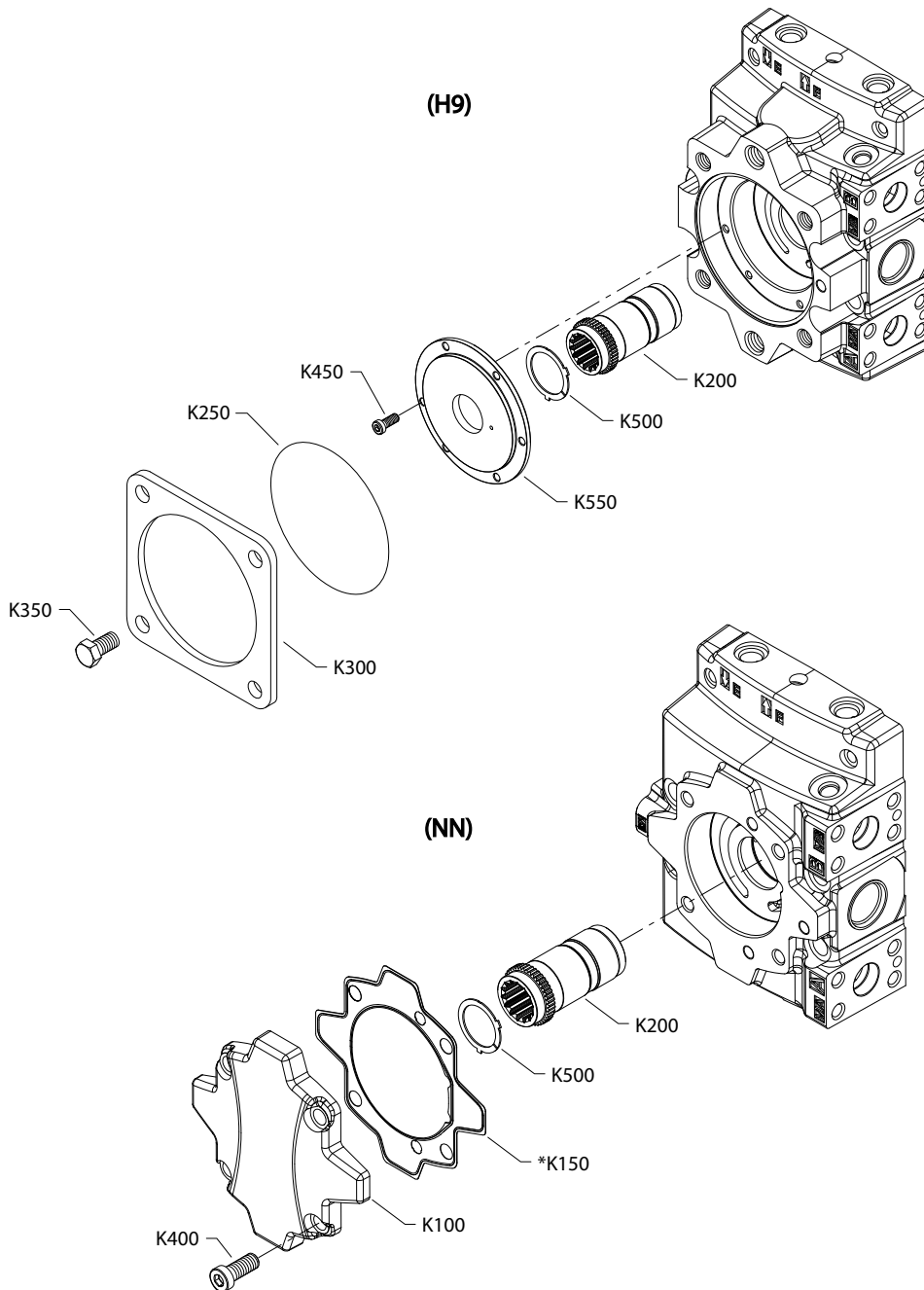
Order code: H6

K200	10-48		11038418	Coupling, 14 tooth, 12/24 pitch	1
K300	10-48		11023750	Flange cover	1
K350	10-48		5000760	Screw, M12 x 20	2
K450	10-48		376749	Screw, M6 x 12	6
K500	10-48		141105	Thrust washer	1
K550	10-48		11149453	Charge pump cover	1

Auxiliary mounting

H1P 60/68cc auxiliary mounting H9, NN

Parts configuration



* Included in overhaul seal kit Q210

Auxiliary mounting

Order code: H9

Item	Date Begin	Date End	Part Number	Part Name	Qty. per Model/Kit
K200	11-34		11038418	Coupling, 14 tooth, 12/24 pitch	1
K250	11-34		056739	O-ring	1
K300	11-34		8800406	Flange cover	1
K350	11-34		5000760	Screw, M12 x 20	2
K450	11-34		376749	Screw, M6 x 12	6
K500	11-34		141105	Thrust washer	1
K550	11-34		11149453	Charge pump cover	1

Order code: NN

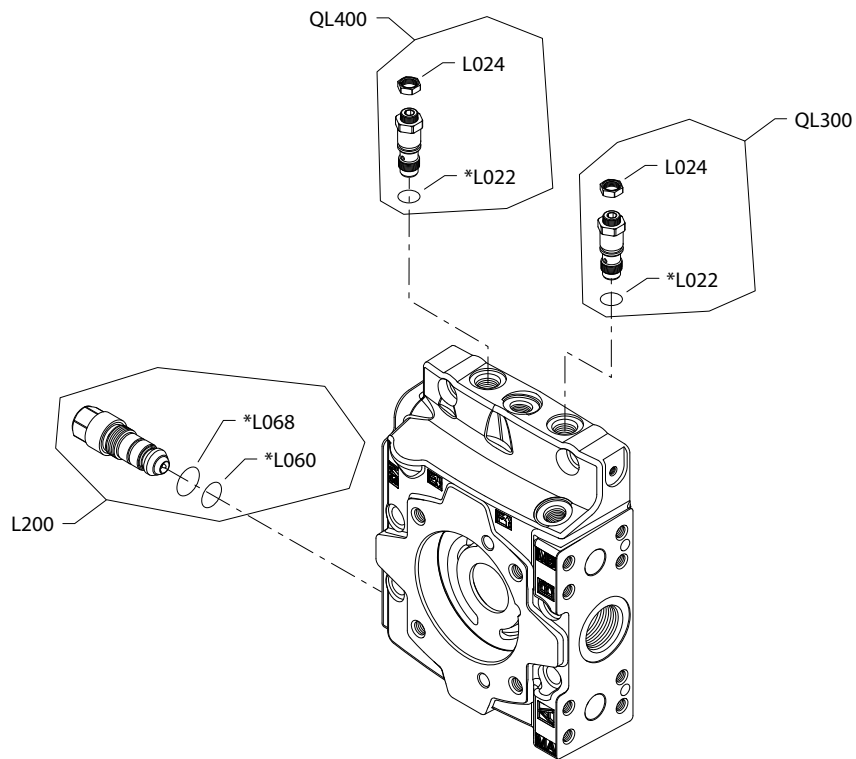
K100	10-48		141249	Adapter flange, NN	1
K150	10-48		11029873	Adapter seal	1
K200	10-48		11038236	Coupling, 13 tooth, 16/32 pitch	1
K400	10-48		11000819	Screw, M12 x 25	4
K500	10-48		141105	Thrust washer	1

High pressure settings

Port A

H1P HPS F01-F07

Parts configuration



Generic end cap shown

* Included in overhaul seal kit Q210

High pressure settings

Common parts

Item	Date Begin	Date End	Part Number	Part Name	Qty. per Model/Kit
L022	10-48		041152	O-ring	1
L024	13-14		11054668	Nut	1
L060	10-48		141109	O-ring	1
L068	10-48		11052215	O-ring	1
QL300	13-14		11050482	Pressure limiter kit, adjustable, CCW rotation pump	1
QL400	13-14		11050482	Pressure limiter kit, adjustable, CW rotation pump	1

Order code: F01

L100	13-14		11049123	High pressure relief valve, 300 bar	1
------	-------	--	----------	-------------------------------------	---

Order code: F02

L100	13-14		11049125	High pressure relief valve, 300 bar	1
------	-------	--	----------	-------------------------------------	---

Order code: F03

L100	13-14		11049127	High pressure relief valve, 350 bar	1
------	-------	--	----------	-------------------------------------	---

Order code: F04

L100	13-14		11049129	High pressure relief valve, 400 bar	1
------	-------	--	----------	-------------------------------------	---

Order code: F05

L100	13-14		11049125	High pressure relief valve, 300 bar	1
------	-------	--	----------	-------------------------------------	---

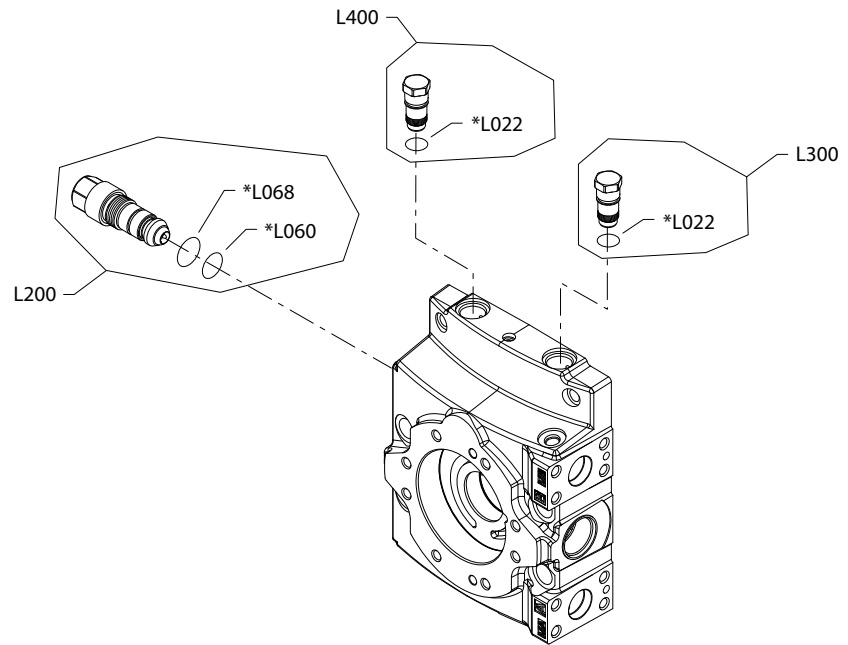
Order code: F07

L100	13-14		11049125	High pressure relief valve, 300 bar	1
------	-------	--	----------	-------------------------------------	---

High pressure settings

H1P 60/68cc HPS K18-K48

Parts configuration



Generic end caps shown

* Included in overhaul seal kit Q210

High pressure settings

Common parts

Item	Date Begin	Date End	Part Number	Part Name	Qty. per Model/Kit
L022	10-48		041152	O-ring	1
L060	10-48		141109	O-ring	1
L068	10-48		11052215	O-ring	1
L400	10-48		11002291	Pressure limiter plug assembly, CW rotation pump	1

Order code: K18

L100	10-48		11049120	High pressure relief valve, 180 bar	1
L300	10-48		11002291	Pressure limiter plug assembly, CCW rotation pump	1

Order code: K20

L100	10-48		11049121	High pressure relief valve, 200 bar	1
L300	10-48		11002291	Pressure limiter plug assembly, CCW rotation pump	1

Order code: K23

L100	10-48		11049122	High pressure relief valve, 230 bar	1
L300	10-48		11002291	Pressure limiter plug assembly, CCW rotation pump	1

Order code: K25

L100	10-48		11049123	High pressure relief valve, 250 bar	1
L300	10-48		11002291	Pressure limiter plug assembly, CCW rotation pump	1

Order code: K28

L100	10-48		11049124	High pressure relief valve, 280 bar	1
L300	10-48		11002291	Pressure limiter plug assembly, CCW rotation pump	1

Order code: K30

L100	10-48		11049125	High pressure relief valve, 300 bar	1
L300	10-48		11002291	Pressure limiter plug assembly, CCW rotation pump	1

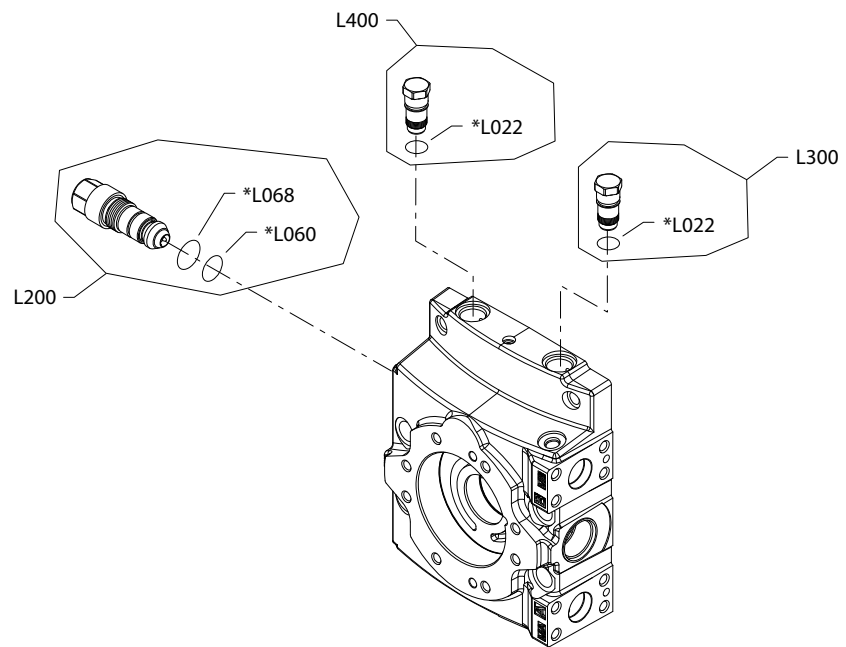
Order code: K33

L100	10-48		11049126	High pressure relief valve, 330 bar	1
L300	10-48		11002291	Pressure limiter plug assembly, CCW rotation pump	1

[Parts continue to the next 2 pages](#)

High pressure settings

Parts configuration



Generic end caps shown

* Included in overhaul seal kit Q210

High pressure settings

Common parts

Item	Date Begin	Date End	Part Number	Part Name	Qty. per Model/Kit
L022	10-48		041152	O-ring	1
L060	10-48		141109	O-ring	1
L068	10-48		11052215	O-ring	1
L400	10-48		11002291	Pressure limiter plug assembly, CW rotation pump	1

Order code: K35

L100	10-48		11049127	High pressure relief valve, 350 bar	1
------	-------	--	----------	-------------------------------------	---

Order code: K38

L100	10-48		11049128	High pressure relief valve, 380 bar	1
------	-------	--	----------	-------------------------------------	---

Order code: K40

L100	10-48		11049129	High pressure relief valve, 400 bar	1
------	-------	--	----------	-------------------------------------	---

Order code: K42

L100	10-48		11049130	High pressure relief valve, 420 bar	1
------	-------	--	----------	-------------------------------------	---

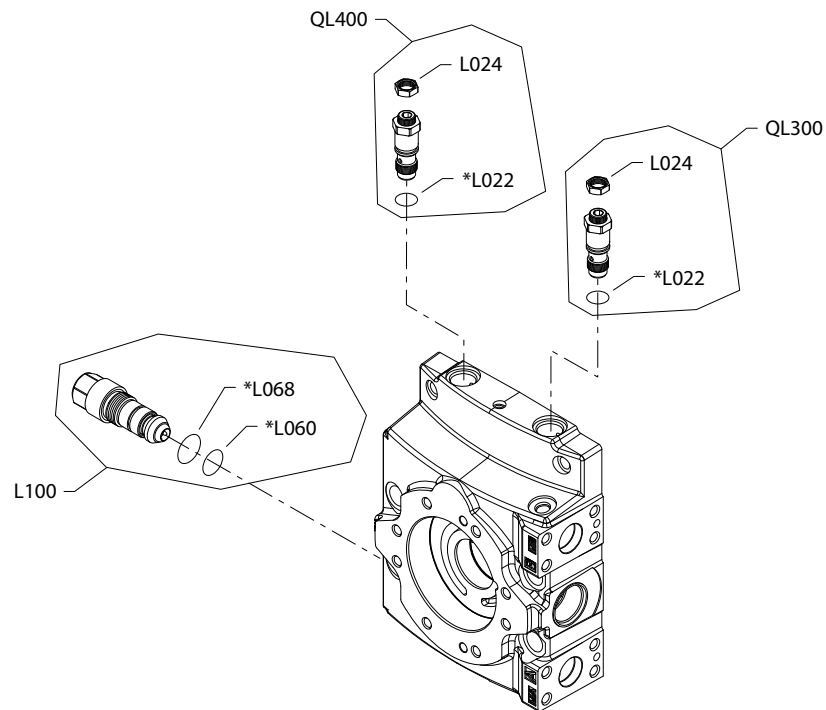
Order code: K45

L100	10-48		11049131	High pressure relief valve, 450 bar	1
------	-------	--	----------	-------------------------------------	---

High pressure settings

H1P HPS L15-L48

Parts configuration



Generic end cap shown

* Included in overhaul seal kit Q210

High pressure settings

Common parts

Item	Date Begin	Date End	Part Number	Part Name	Qty. per Model/Kit
L022	10-48		041152	O-ring	1
L024	10-48		11054668	Nut	1
L060	10-48		141109	O-ring	1
L068	10-48		11052215	O-ring	1
QL300	10-48		11050482	Pressure limiter kit, adjustable, CCW rotation pump	1
QL400	10-48		11050482	Pressure limiter kit, adjustable, CW rotation pump	1

Order code: L15

L100	10-48		11049121	High pressure relief valve, 200 bar	1
------	-------	--	----------	-------------------------------------	---

Order code: L18, L20

L100	10-48		11049123	High pressure relief valve, 250 bar	1
------	-------	--	----------	-------------------------------------	---

Order code: L23

L100	10-48		11049124	High pressure relief valve, 280 bar	1
------	-------	--	----------	-------------------------------------	---

Order code: L25

L100	10-48		11049125	High pressure relief valve, 300 bar	1
------	-------	--	----------	-------------------------------------	---

Order code: L28

L100	10-48		11049126	High pressure relief valve, 330 bar	1
------	-------	--	----------	-------------------------------------	---

Order code: L30

L100	10-48		11049127	High pressure relief valve, 350 bar	1
------	-------	--	----------	-------------------------------------	---

Order code: L33

L100	10-48		11049128	High pressure relief valve, 380 bar	1
------	-------	--	----------	-------------------------------------	---

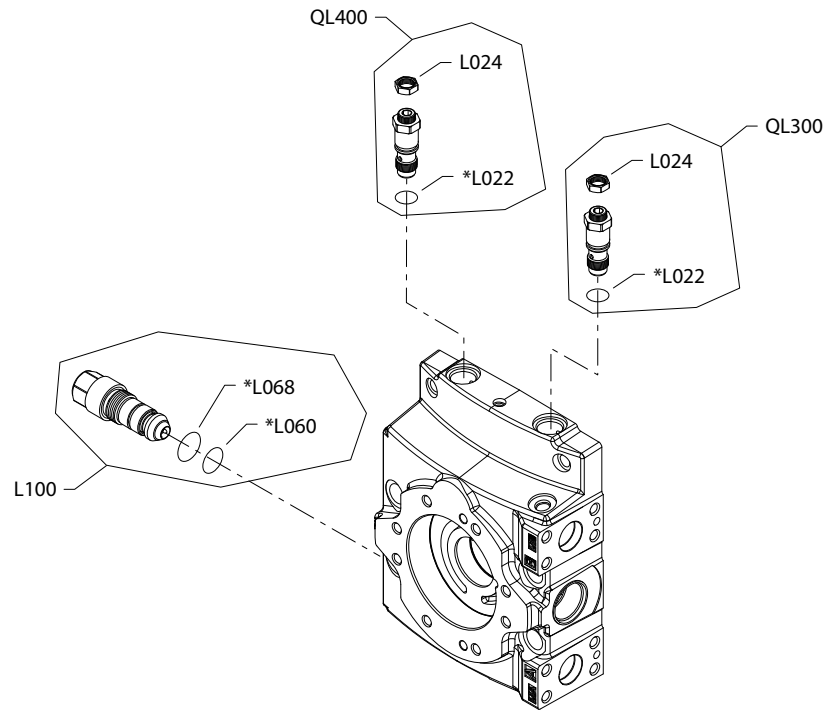
Order code: L35

L100	10-48		11049129	High pressure relief valve, 400 bar	1
------	-------	--	----------	-------------------------------------	---

[Parts continue to the next 2 pages.](#)

High pressure settings

Parts configuration



Generic end cap shown

* Included in overhaul seal kit Q210

High pressure settings

Common parts

Item	Date Begin	Date End	Part Number	Part Name	Qty. per Model/Kit
L022	10-48		041152	O-ring	1
L024	10-48		11054668	Nut	1
L060	10-48		141109	O-ring	1
L068	10-48		11052215	O-ring	1
QL300	10-48		11050482	Pressure limiter kit, adjustable, CCW rotation pump	1
QL400	10-48		11050482	Pressure limiter kit, adjustable, CW rotation pump	1

Order code: L38

L100	10-48		11049130	High pressure relief valve, 420 bar	1
------	-------	--	----------	-------------------------------------	---

Order code: L40, L41, L42

L100	10-48		11049131	High pressure relief valve, 400 bar	1
------	-------	--	----------	-------------------------------------	---

Order code: L43, L44, L45

L100	10-48		11049132	High pressure relief valve, 480 bar	1
------	-------	--	----------	-------------------------------------	---

Order code: L46, L47, L48

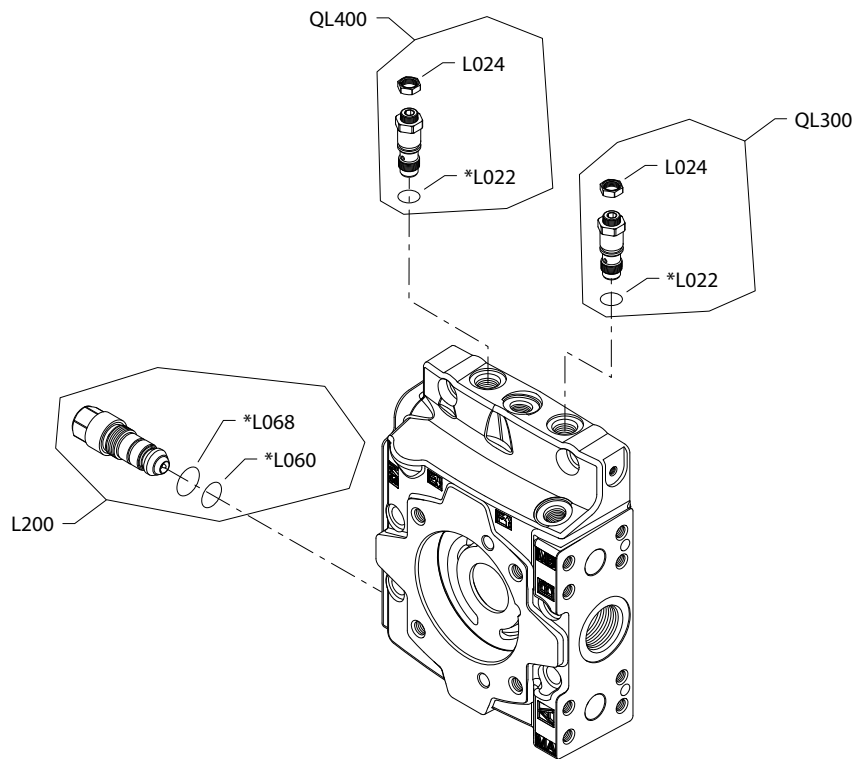
L100	07-19		11049133	High pressure relief valve, 510 bar (SB-2009-007 on page 141)	1
------	-------	--	----------	--	---

High pressure settings

Port B

H1P HPS F01-F07

Parts configuration



Generic end cap shown

* Included in overhaul seal kit Q210

High pressure settings

Common parts

Item	Date Begin	Date End	Part Number	Part Name	Qty. per Model/Kit
L022	10-48		041152	O-ring	1
L024	13-14		11054668	Nut	1
L060	10-48		141109	O-ring	1
L068	10-48		11052215	O-ring	1
QL300	13-14		11050482	Pressure limiter kit, adjustable, CCW rotation pump	1
QL400	13-14		11050482	Pressure limiter kit, adjustable, CW rotation pump	1

Order code: F01

L200	13-14		11049123	High pressure relief valve, 300 bar	1
------	-------	--	----------	-------------------------------------	---

Order code: F02

L200	13-14		11049125	High pressure relief valve, 300 bar	1
------	-------	--	----------	-------------------------------------	---

Order code: F03

L200	13-14		11049127	High pressure relief valve, 350 bar	1
------	-------	--	----------	-------------------------------------	---

Order code: F04

L200	13-14		11049129	High pressure relief valve, 400 bar	1
------	-------	--	----------	-------------------------------------	---

Order code: F05

L200	13-14		11049125	High pressure relief valve, 300 bar	1
------	-------	--	----------	-------------------------------------	---

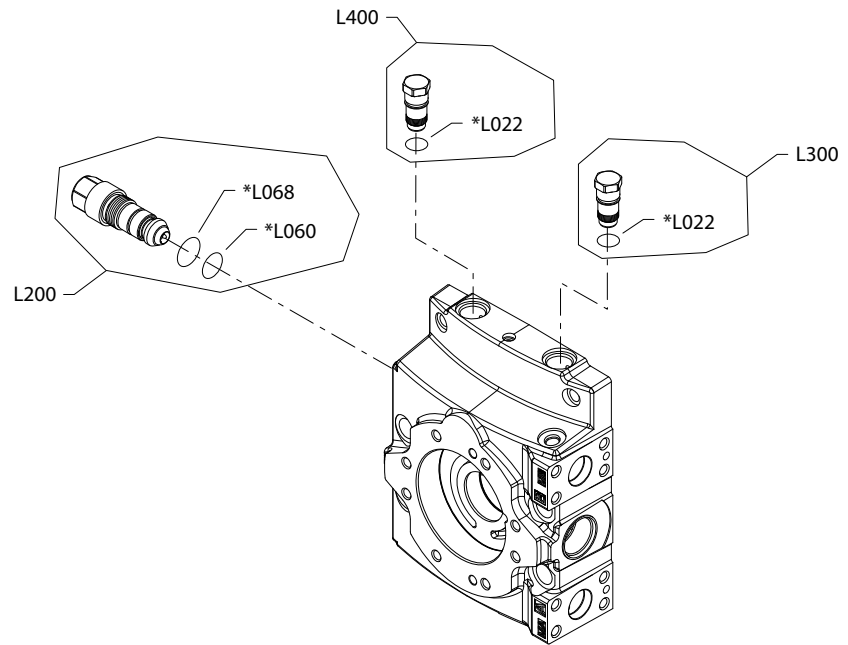
Order code: F07

L200	13-14		11049125	High pressure relief valve, 300 bar	1
------	-------	--	----------	-------------------------------------	---

High pressure settings

H1P 60/68cc HPS K18-K48

Parts configuration



Generic end caps shown

* Included in overhaul seal kit Q210

High pressure settings

Common parts

Item	Date Begin	Date End	Part Number	Part Name	Qty. per Model/Kit
L022	10-48		041152	O-ring	1
L060	10-48		141109	O-ring	1
L068	10-48		11052215	O-ring	1
L400	10-48		11002291	Pressure limiter plug assembly, CW rotation pump	1

Order code: K18

L200	10-48		11049120	High pressure relief valve, 180 bar	1
L300	10-48		11002291	Pressure limiter plug assembly, CCW rotation pump	1

Order code: K20

L200	10-48		11049121	High pressure relief valve, 200 bar	1
L300	10-48		11002291	Pressure limiter plug assembly, CCW rotation pump	1

Order code: K23

L200	10-48		11049122	High pressure relief valve, 230 bar	1
L300	10-48		11002291	Pressure limiter plug assembly, CCW rotation pump	1

Order code: K25

L200	10-48		11049123	High pressure relief valve, 250 bar	1
L300	10-48		11002291	Pressure limiter plug assembly, CCW rotation pump	1

Order code: K28

L200	10-48		11049124	High pressure relief valve, 280 bar	1
L300	10-48		11002291	Pressure limiter plug assembly, CCW rotation pump	1

Order code: K30

L200	10-48		11049125	High pressure relief valve, 300 bar	1
L300	10-48		11002291	Pressure limiter plug assembly, CCW rotation pump	1

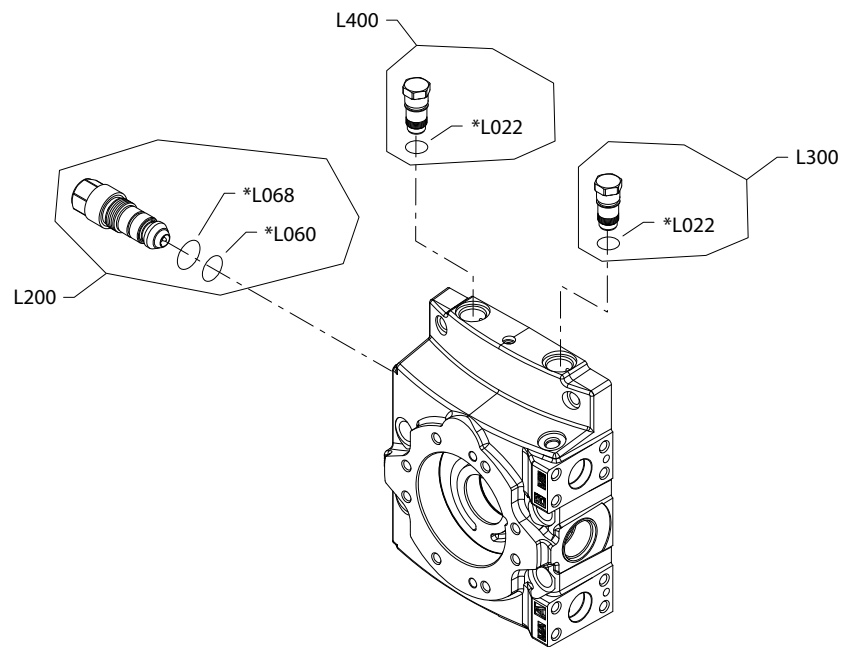
Order code: K33

L200	10-48		11049126	High pressure relief valve, 330 bar	1
L300	10-48		11002291	Pressure limiter plug assembly, CCW rotation pump	1

[Parts continue to the next 2 pages](#)

High pressure settings

Parts configuration



Generic end caps shown

* Included in overhaul seal kit Q210

High pressure settings

Common parts

Item	Date Begin	Date End	Part Number	Part Name	Qty. per Model/Kit
L022	10-48		041152	O-ring	1
L060	10-48		141109	O-ring	1
L068	10-48		11052215	O-ring	1
L400	10-48		11002291	Pressure limiter plug assembly, CW rotation pump	1

Order code: K35

L200	10-48		11049127	High pressure relief valve, 350 bar	1
------	-------	--	----------	-------------------------------------	---

Order code: K38

L200	10-48		11049128	High pressure relief valve, 380 bar	1
------	-------	--	----------	-------------------------------------	---

Order code: K40

L200	10-48		11049129	High pressure relief valve, 400 bar	1
------	-------	--	----------	-------------------------------------	---

Order code: K42

L200	10-48		11049130	High pressure relief valve, 420 bar	1
------	-------	--	----------	-------------------------------------	---

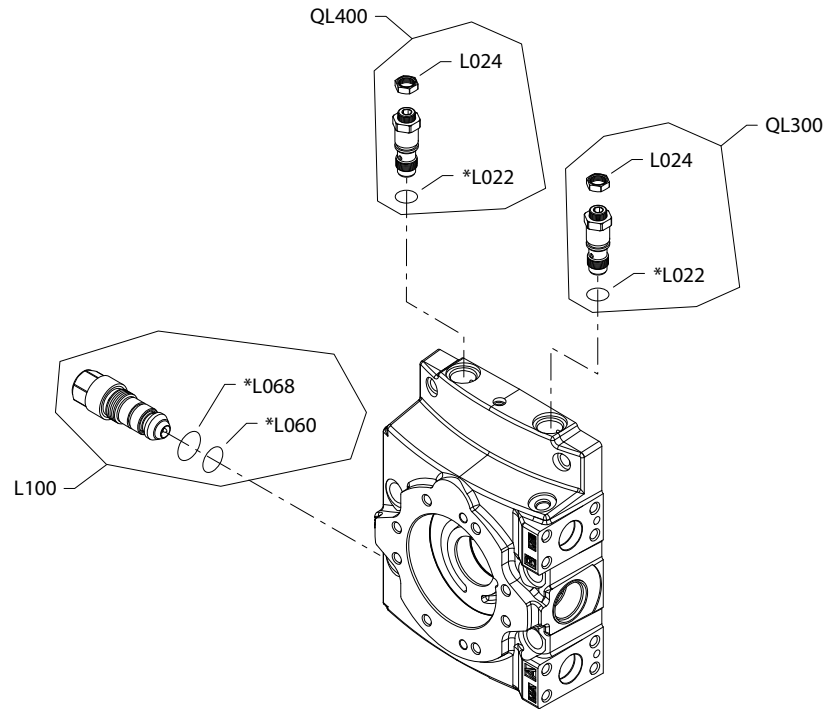
Order code: K45

L200	10-48		11049131	High pressure relief valve, 450 bar	1
------	-------	--	----------	-------------------------------------	---

High pressure settings

H1P HPS L15-L48

Parts configuration



Generic end cap shown

* Included in overhaul seal kit Q210

High pressure settings

Common parts

Item	Date Begin	Date End	Part Number	Part Name	Qty. per Model/Kit
L022	10-48		041152	O-ring	1
L024	10-48		11054668	Nut	1
L060	10-48		141109	O-ring	1
L068	10-48		11052215	O-ring	1
QL300	10-48		11050482	Pressure limiter kit, adjustable, CCW rotation pump	1
QL400	10-48		11050482	Pressure limiter kit, adjustable, CW rotation pump	1

Order code: L15

L200	10-48		11049121	High pressure relief valve, 200 bar	1
------	-------	--	----------	-------------------------------------	---

Order code: L18, L20

L200	10-48		11049123	High pressure relief valve, 250 bar	1
------	-------	--	----------	-------------------------------------	---

Order code: L23

L200	10-48		11049124	High pressure relief valve, 280 bar	1
------	-------	--	----------	-------------------------------------	---

Order code: L25

L200	10-48		11049125	High pressure relief valve, 300 bar	1
------	-------	--	----------	-------------------------------------	---

Order code: L28

L200	10-48		11049126	High pressure relief valve, 330 bar	1
------	-------	--	----------	-------------------------------------	---

Order code: L30

L200	10-48		11049127	High pressure relief valve, 350 bar	1
------	-------	--	----------	-------------------------------------	---

Order code: L33

L200	10-48		11049128	High pressure relief valve, 380 bar	1
------	-------	--	----------	-------------------------------------	---

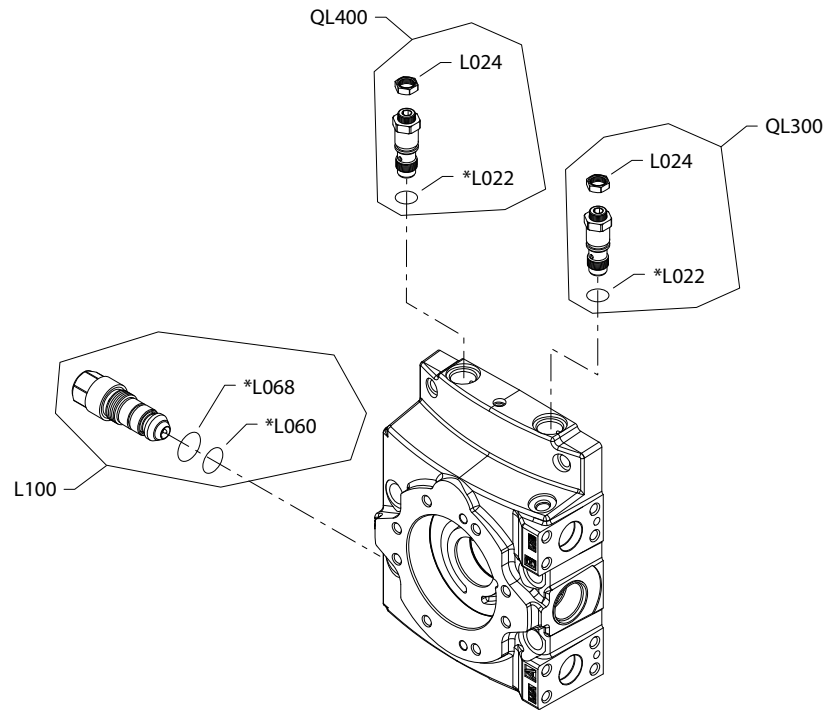
Order code: L35

L200	10-48		11049129	High pressure relief valve, 400 bar	1
------	-------	--	----------	-------------------------------------	---

[Parts continue to the next 2 pages.](#)

High pressure settings

Parts configuration



Generic end cap shown

* Included in overhaul seal kit Q210

High pressure settings

Common parts

Item	Date Begin	Date End	Part Number	Part Name	Qty. per Model/Kit
L022	10-48		041152	O-ring	1
L024	10-48		11054668	Nut	1
L060	10-48		141109	O-ring	1
L068	10-48		11052215	O-ring	1
QL300	10-48		11050482	Pressure limiter kit, adjustable, CCW rotation pump	1
QL400	10-48		11050482	Pressure limiter kit, adjustable, CW rotation pump	1

Order code: L38

L200	10-48		11049130	High pressure relief valve, 420 bar	1
------	-------	--	----------	-------------------------------------	---

Order code: L40, L41, L42

L200	10-48		11049131	High pressure relief valve, 400 bar	1
------	-------	--	----------	-------------------------------------	---

Order code: L43, L44, L45

L200	10-48		11049132	High pressure relief valve, 480 bar	1
------	-------	--	----------	-------------------------------------	---

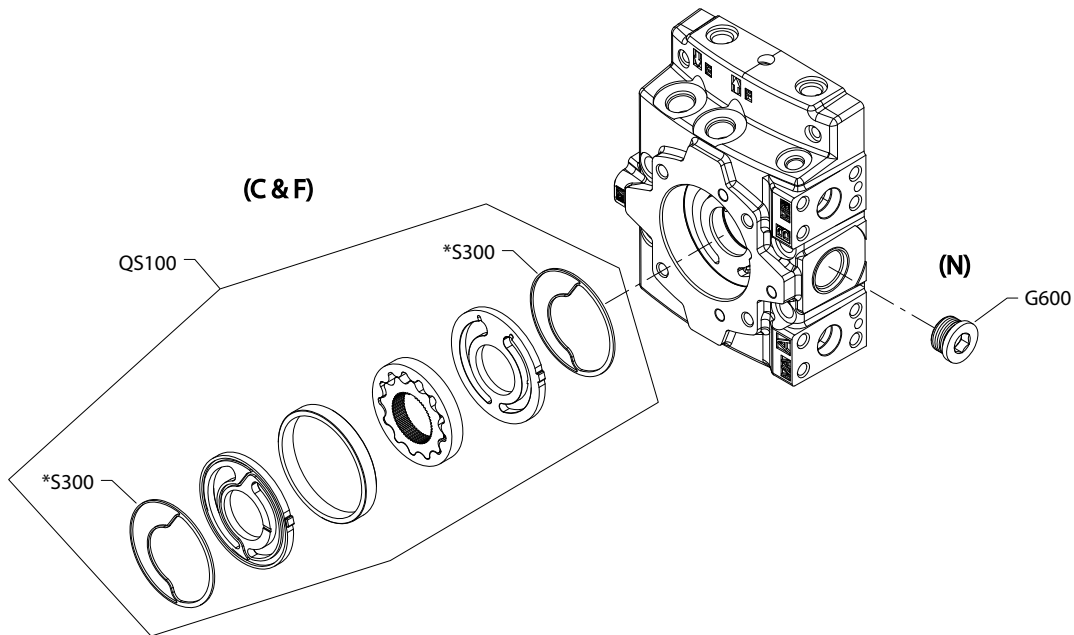
Order code: L46, L47, L48

L200	07-19		11049133	High pressure relief valve, 510 bar (SB-2009-007 on page 141)	1
------	-------	--	----------	--	---

Charge pump, filtration and charge pressure relief

H1P 60/68cc charge pump C-N

Parts configuration



Generic end cap shown.

* Included in overhaul seal kit Q210

Charge pump, filtration and charge pressure relief

Order code: C

Item	Date Begin	Date End	Part Number	Part Name	Qty. per Model/Kit
QS100	10-48		11086554	Charge pump kit, 17 cc	1
S300	10-48		11126777	Seal ring (SB-2013-019 on page 143)	2

Order code: F

QS100	10-48		11086553	Charge pump kit, 14 cc	1
S300	10-48		11126777	Seal ring (SB-2013-019 on page 143)	2

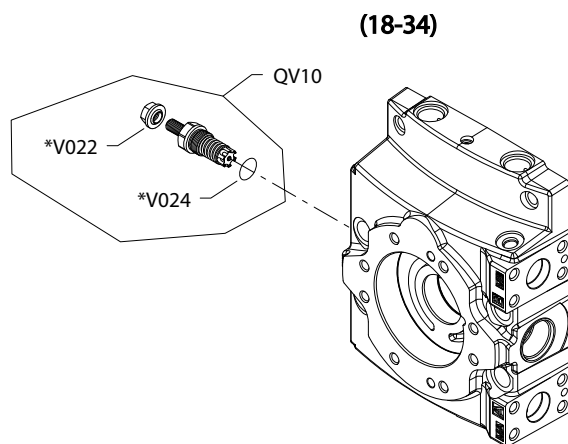
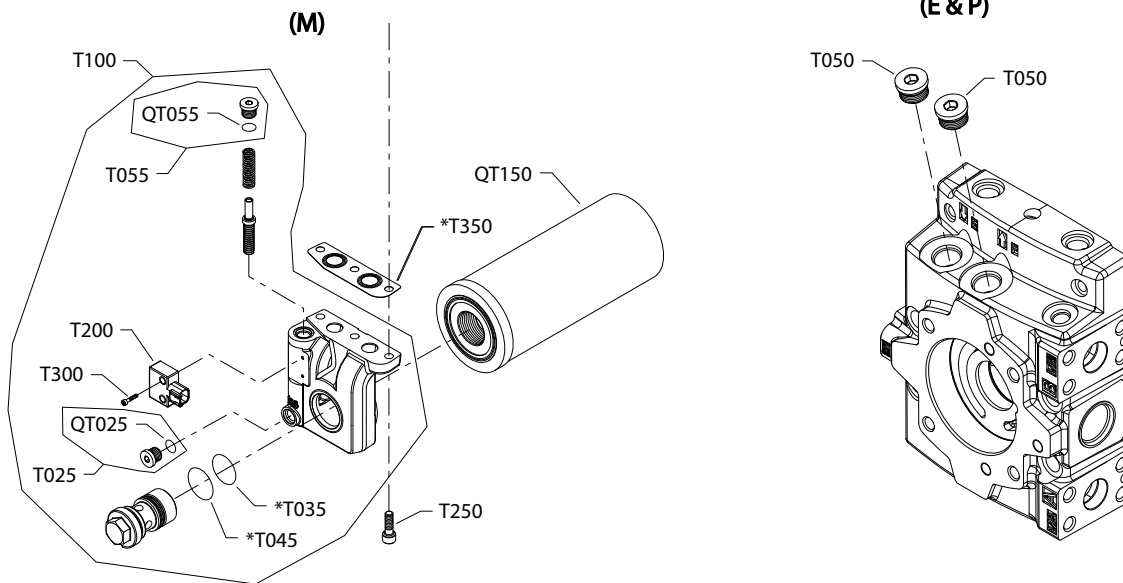
Order code: N

G600	10-48		320002 (9005110-9200)	Plug assembly	1
------	-------	--	-----------------------	---------------	---

Charge pump, filtration and charge pressure relief

H1P 60/68 filtration and charge pressure relief

Parts configuration



Generic end caps shown

* Included in overhaul seal kit Q210

Charge pump, filtration and charge pressure relief

Filtration

Order code: E

Item	Date Begin	Date End	Part Number	Part Name	Qty. per Model/Kit
T050	10-48		315325 (9005110-8700)	Plug assembly	2

Order code: L

No parts

Order code: M

T025	10-48		141269	Plug assembly	1
T035	10-48		761148 (9004100-0260)	O-ring	1
T045	10-48		314500 (9004100-1250)	O-ring	1
T055	10-48		141269	Plug assembly	1
T100	10-48		140736	Pressure filter adapter assembly	1
T200	10-48		11031852	Filtration sensor	1
T250	10-48		11128665	Screw, M8 x 25	3
T300	10-48		140560	Screw, M3 x 16	2
T350	10-48		140737	Filter adapter gasket	1
QT150	10-48		11004918	Filter assembly	1

Order code: P

T050	10-48		315325 (9005110-8700)	Plug assembly	2
------	-------	--	-----------------------	---------------	---

Charge pressure relief

Order code: 18-34

QV10	10-48		11017127	Charge relief valve kit	1
V022	10-48		612291 (9003508-0008)	Seal nut	1
V024	10-48		001149 (9004201-6200)	O-ring	1

Overhaul seal kit

H1P 60/68cc seal kit

Item	Date Begin	Date End	Part Number	Part Name	Qty. per Model/Kit
Q210	10-48		11178403	Overhaul seal kit, H1P060-068	1
D060	10-48		612291 (9003508-0008)	Seal nut, M8	1
D150	10-48		11173377	Control gasket, H1	1
D611	10-14		11066774	O-ring, 10.82 x 1.78, viton	2
E020	10-48		11045358	O-ring, 1.864 x .070, nitrile	2
E025	10-48		11040065	Piston seal ring	2
E250	10-48		11045233	O-ring, 2.609 x .103, viton	2
E500	10-48		505412 (9003509-0008)	Seal nut, M8 x 1.25, coarse thread	1
E550	10-48		505412 (9003509-0008)	Seal nut, M8 x 1.25, coarse thread	1
G150	10-48		11040066	End cap gasket	1
J250	10-48		141936	Lip seal	1
J260	10-48		9004104-2310	O-ring, 2.609 x .139, viton	1
K150	10-48		11029873	Adapter seal	1
K250	10-48		9004104-1580	O-ring, 4.737 x .103, viton	1
L022	10-48		041152	O-ring, 12.00 x 2.00, nitrile	2
L060	10-48		141109	O-ring, 16.00 x 1.50, viton	2
L068	10-48		11052215	O-ring, 19.3 x 2.4, viton	2
QD26	10-48		11001952	O-ring, 18.00 x 1.50, viton	2
QD81	10-48		11059551	O-ring, 9.50 x 1.78, viton	1
QD81	10-48		11152257	O-ring, 9.0 x 1.80, nitrile	1
QD751	10-48		001131 (9004201-5000)	O-ring, .644 x .087, nitrile	1
QH131	10-48		11013397	O-ring, 15.60 x 1.78, viton	1
S300	10-48		11126777	Seal ring	2
T035	10-48		761148 (9004100-0260)	O-ring, 1.239 x .070, nitrile	1
T045	10-48		314500 (9004100-1250)	O-ring, 1.299 x .103, nitrile	1
T350	10-48		140737	Filter adapter gasket	1
V022	10-48		612291 (9003508-0008)	Seal nut, M8	1
V024	10-48		001149 (9004201-6200)	O-ring, .755 x .097, nitrile	1

Service bulletin

SB-2009-007

Products affected

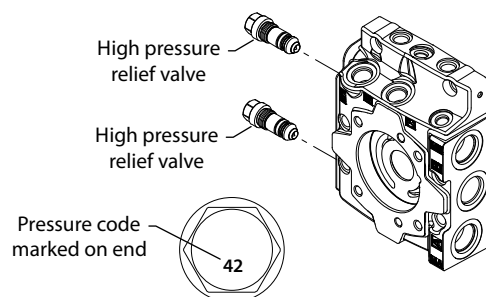
H1 pumps, 45 thru 100 cc

Subject

High pressure relief valve

Description

As a continuous improvement, Danfoss is changing the H1 high pressure relief valves used in 45 thru 100 cc pumps. The new valves will have a different weld process that locks the pressure setting. The new valves are completely interchangeable with the old valves. The part numbers for the valves are being changed to better track this change. The part number for the different settings will be incorporated into the system at different dates over the next 12 to 14 months. The old part numbers will become obsolete.



Models affected

All H1 45 thru 100 cc variable pumps.

Serial numbers

The part number for the different settings will be incorporated into the system at different dates over the next 12 to 14 months.

Part numbers affected

High pressure relief valves

Old part number	New part number	Pressure setting
11006825	11049130	420 bar
11006826	11049131	450 bar
11006827	11049132	480 bar
11006828	11049133	510 bar
11006822	11049127	350 bar
11006817	11049123	250 bar
11006821	11049126	330 bar
11006823	11049128	380 bar
11006824	11049129	400 bar
11006813	11049120	180 bar
11006816	11049122	230 bar

Service bulletin

High pressure relief valves (continued)

Old part number	New part number	Pressure setting
11006819	11049125	300bar
11006814	11049121	200 bar
11006818	11049124	280 bar

Parts disposition

- Interchangeable
- Order replacement parts
- Revise existing part orders

Service bulletin

SB-2013-019

Products affected

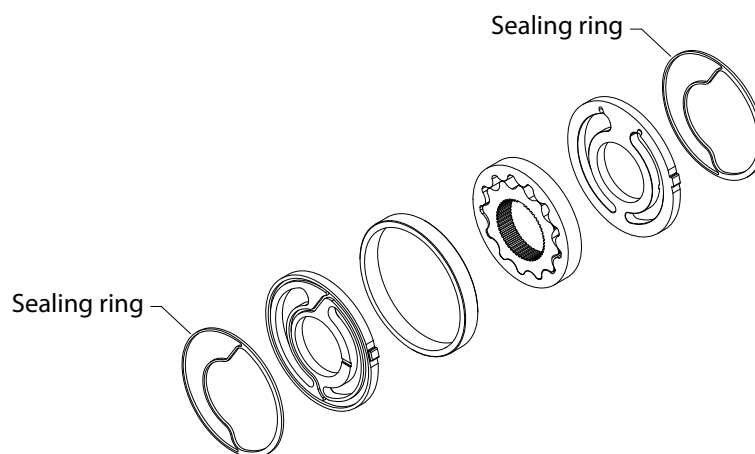
H1 pumps

Subject

Charge pump seal

Description

As a product improvement, Danfoss has changed the material on the sealing ring in the charge pump port plates of H1 pumps. The part number was changed for tracking purposes because the parts look similar. The old part numbers will become obsolete and no longer available as service parts.



Models affected

H1 pumps

Serial numbers

Part 11126778 took effect at serial number: N-13-23-00773 (04June2013)

Part 11126777 took effect at serial number: N-13-22-25411 (28 May2013)

Part numbers affected

Description	Old part number	New part number
Seal Ring, H1P115-165 port plate	11008462	11126778
Seal Ring, H1P045-100 port plate	11009457	11126777

Parts disposition

Interchangeable

Scrap used parts

Service bulletin

SB-2015-035

Products affected

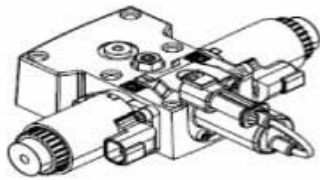
H1 pumps

Subject

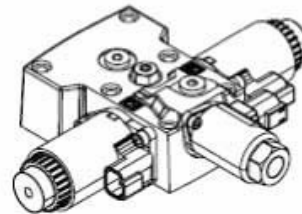
Control override valve service kit change

Description

Service kits for Control Override Valves (CCO/COR) on H1 pumps have been reconfigured to include a new control option. There has been a connector change to the coil. The new connector is a DEUTSCH key-lock pin style (W2SC). The old solenoid has a wire lead with a standard DEUTSCH connector (W2P).



Old style control (W2P connector)



New style control (W2SC connector)

Each new service kit comes with an adapter cable which has a W2P and a W2SC on each end.



Adapter Cable

New service kit numbers have been issued for the new control option. The old service kits are no longer available. Reference PUB HY2014-175.

EDC, 12v DEUTSCH connector, COR

Before Change: H1-P-100-L-A-**A6**-C2-N-D8-H-F1-H5-L-42-L-42-D-P-24-PN-NNN-NNN

After Change: H1-P-100-L-A-**S6**-C2-N-D8-H-F1-H5-L-42-L-42-D-P-24-PN-NNN-NNN

EDC, 24v DEUTSCH connector, CCO

Before Change: H1-P-100-R-A-**C1**-C2-N-D6-H-G9-H2-L-38-L-38-M-L-24-PN-NNN-NNN

After Change: H1-P-100-R-A-**E8**-C2-N-D6-H-G9-H2-L-38-L-38-M-L-24-PN-NNN-NNN

Models affected

H1 pumps

Service bulletin

Serial numbers

No serial numbers affected. The new option began with the new part number.

Part numbers affected

Description	Old control option	Old number	New control option	New number
SVC KIT-EDC, H1P 12V DT04 FAST CORF	A6	11019736	S6	11152574
SVC KIT-EDC, H1P 12V DT04 CCO	C5	11086382	E7	11147471
SVC KIT-EDC, H1P 12V DT04 CCO KEY-C	D4	11131492	E7	11147471
SVC KIT-EDC, H1P 24V DT04 CCO	C6	11086383	E8	11147472
SVC KIT-EDC, H1P 24V DT04 FAST CORF	C1	11037176	E8	11147472
SVC KIT-EDC, H1P 095 12V CCO			E5	11147422
SVC KIT-EDC, H1P 095 24V CCO			E6	11147423
CABLE-ADAPTER (W2SC/ W2SC)				11153287
CABLE-ADAPTER (W2SC/ W2P)				11150437

Control options S6, E7 and E8 contain parts for the new style connector. The attached cable adaptor W2P / W2SC supplied in the service kit is necessary to replace the old control.

Parts disposition

Non-interchangeable

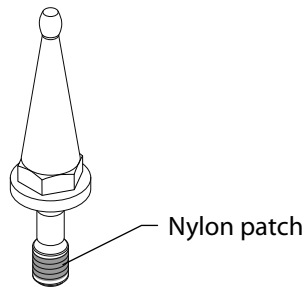
Service bulletin

SB-2016-028

Products affected H1 pumps

Subject Swashplate feedback link update

Description Danfoss Power Solutions has made a product improvement to the swashplate link on H1 pumps. A nylon coating has been added to the link threads. The new part can be substituted for the old part, but the old part cannot be substituted for the new. The old part is obsolete.



Models affected H1 45/53cc, 60/68cc, 69/78cc, 89/100cc, 115/130cc, 147/165cc, 210/250cc pumps.

Serial numbers This change became effective on A-16-22-23606 (June 2, 2016)

Part numbers affected

Description	Old part number	New part number
Swashplate feedback link	140724	11148827

Parts disposition Non-interchangeable - can substitute new for old

Service bulletin

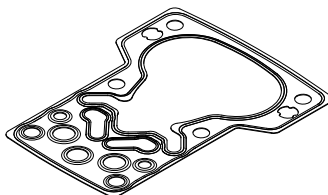
SB-2016-033

Products affected H1 pumps and tandems, MP1 and M46 control kits

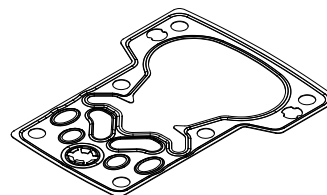
Subject Control Gasket

Description Danfoss Power Solutions has made a two-part design change to the control gasket used on H1 pumps and tandems and in MP1 and M46 control kits. The electrical displacement controls (EDC) have changed from an 8mm port to 12mm with tabs on the pressure port. The interim gasket used in the manual displacement controls has changed from a 10mm port to 12mm with tabs in the pressure port.

The gasket is now a common part to all pump models and control service kits. The new part can be substituted for the old part, but the old part cannot be substituted for the new part.



Old gasket



New gasket

Models affected H1 pumps and tandems, MP1 control kits, M46 control kits

Serial numbers
 H1 Pumps - This change became effective on N-16-36-30132
 H1 Tandems - This change became effective on N-16-37-30132
 MP1 Control Kits - This change became effective on N-16-32-xxxxx
 M46 Control Kits - This change became effective on N-16-32-xxxxx

Part numbers affected

Description	Old part number	New part number
Electrical displacement control gasket	140879	11173377
Manual displacement control gasket	11159911	11173377

Parts disposition Non-interchangeable - can substitute new for old

Service bulletin

SB-2016-034

Products affected H1 45/53cc, 60/68cc, 69/78cc, 89/100cc, 115/130cc, 147/165cc, 210/250cc pumps and tandem pumps

Subject Overhaul Seal Kit change

Description A change has been made to the overhaul seal kits for H1 45/53cc, 60/68cc, 69/78cc, 89/100cc, 115/130cc, 147/165cc and 210/250cc pumps and tandems.

The new 12mm pressure port control gasket (see SB-2016-033) has been added to the overhaul seal kit and the old control gasket has been removed. The old control gasket is not interchangeable with the new control gasket. The new seal kits can be substituted for old seal kits, but old seal kits cannot be substituted for new seal kits.

The overhaul seal kit part numbers have changed.

Models affected H1 45/53cc, 60/68cc, 69/78cc, 89/100cc, 115/130cc, 147/165cc, 210/250cc pumps and tandem pumps

Serial numbers This change became effective on N-16-41-xxxxx

Part numbers affected

Description	Old part number	New part number
Overhaul seal kit, H1P045-053	11134090	11178402
Overhaul seal kit, H1P060-068	11086556	11178403
Overhaul seal kit, H1T045-053	11134091	11178404
Overhaul seal kit, H1T060-068	11177381	11178405
Overhaul seal kit, H1T045-053, special	4510470	11178406
Overhaul seal kit, H1P045-053, special	11016546	11178407
Overhaul seal kit, H1T060-068, special	11147118	11178408
Overhaul seal kit, H1P069-078	11003521	11178086
Overhaul seal kit, H1P089-100	11008585	11178087
Overhaul seal kit, H1P115-130	11003522	11178088
Overhaul seal kit, H1P147-165	11000687	11178089
Overhaul seal kit, H1P210-250	11070641	11178090
Overhaul seal kit, TMP EDC, MDC	11145298	11179930

Parts disposition Non-interchangeable - can substitute new for old

Service bulletin

SB-2018-025

Products affected

H1 pumps

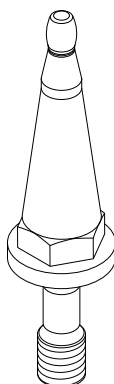
Subject

Swashplate feedback link

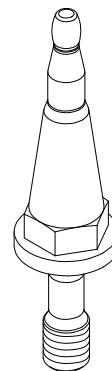
Description

Danfoss has made a design change to the swashplate feedback link on H1 pumps. To improve the compatibility of the controls that uses the angle sensor. The contact point on the feedback link, to the spring linkage on the angle sensor, has increased in width.

The new part can be substituted for the old part, but the old part cannot be substituted for the new. Old parts will be obsolete.



Old feedback link



New feedback link

Models affected

H1 45/53cc, 60/68cc, 69/78cc, 89/100cc, 115/130cc, 147/165cc, 210/250cc Pumps and Tandems

Serial numbers

This change became effective in Ames A-18-09-xxxxx

This change became effective in Germany N-18-06-xxxxx

Part numbers affected

Description	Old Part Number	New Part Number
Link-Swashplate feedback, H1P	11167724	11202172
Link-Swashplate feedback, H1P	11148827	11202172

Parts disposition

Non-interchangeable

Products we offer:

- DCV directional control valves
- Electric converters
- Electric machines
- Electric motors
- Hydrostatic motors
- Hydrostatic pumps
- Orbital motors
- PLUS+1® controllers
- PLUS+1® displays
- PLUS+1® joysticks and pedals
- PLUS+1® operator interfaces
- PLUS+1® sensors
- PLUS+1® software
- PLUS+1® software services, support and training
- Position controls and sensors
- PVG proportional valves
- Steering components and systems
- Telematics

Danfoss Power Solutions is a global manufacturer and supplier of high-quality hydraulic and electric components. We specialize in providing state-of-the-art technology and solutions that excel in the harsh operating conditions of the mobile off-highway market as well as the marine sector. Building on our extensive applications expertise, we work closely with you to ensure exceptional performance for a broad range of applications. We help you and other customers around the world speed up system development, reduce costs and bring vehicles and vessels to market faster.

Danfoss Power Solutions – your strongest partner in mobile hydraulics and mobile electrification.

Go to www.danfoss.com for further product information.

We offer you expert worldwide support for ensuring the best possible solutions for outstanding performance. And with an extensive network of Global Service Partners, we also provide you with comprehensive global service for all of our components.

Comatrol

www.comatrol.com

Turolla

www.turollaocg.com

Hydro-Gear

www.hydro-gear.com

Daikin-Sauer-Danfoss

www.daikin-sauer-danfoss.com

Local address:

Danfoss Power Solutions (US) Company
2800 East 13th Street
Ames, IA 50010, USA
Phone: +1 515 239 6000

Danfoss Power Solutions GmbH & Co. OHG
Krokamp 35
D-24539 Neumünster, Germany
Phone: +49 4321 871 0

Danfoss Power Solutions ApS
Nordborgvej 81
DK-6430 Nordborg, Denmark
Phone: +45 7488 2222

Danfoss Power Solutions Trading (Shanghai) Co., Ltd.
Building #22, No. 1000 Jin Hai Rd
Jin Qiao, Pudong New District
Shanghai, China 201206
Phone: +86 21 3418 5200

Danfoss can accept no responsibility for possible errors in catalogues, brochures and other printed material. Danfoss reserves the right to alter its products without notice. This also applies to products already on order provided that such alterations can be made without subsequent changes being necessary in specifications already agreed. All trademarks in this material are property of the respective companies. Danfoss and the Danfoss logotype are trademarks of Danfoss A/S. All rights reserved.