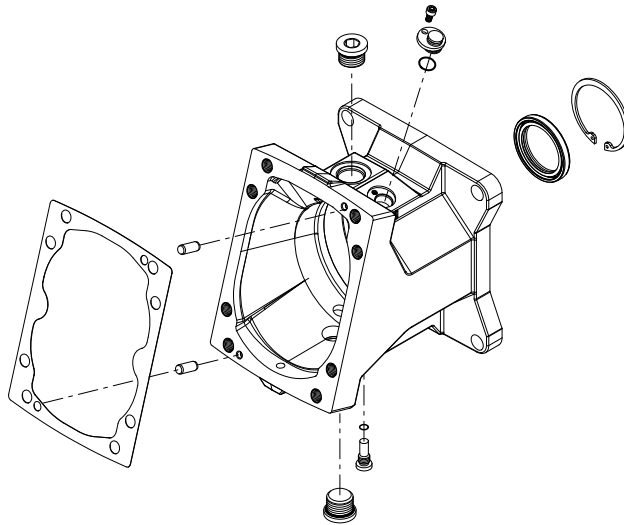


Parts Manual

# H1B 210cc

## Bent Axis Motor



**Revision history***Table of revisions*

<b>Date</b>	<b>Changed</b>	<b>Rev</b>
January 2020	Updated HE/HF servo pressure supply part numbers	0407
August 2019	Updated part numbers and added a caution for servo piston removal	0406
February 2019	Updated servo pressure supply illustrations	0405
November 2018	Updated servo pressure supply option HE	0403
October 2018	Added maximum displacement options A, K, S-U	0402
May 2018	Added SB-2018-028	0401
February 2018	Updated to Engineering Tomorrow design	0302

## Contents

### General information

Service Parts Identification.....	5
Nameplate.....	5
Date code.....	6
About service bulletins.....	6
Procedure to identify a part.....	6
Regional part numbers.....	6
Example of a part identification (H1B 210).....	6
Adobe Acrobat 2-page viewing.....	7
Order code.....	8
Notes.....	9

### Control

Control D1-DH.....	10
Control E1-F2.....	12
Control K1-KH.....	14
Control L1-LH.....	16
Control M1-MH.....	18
Control P1-T2.....	20
Control TA, TH.....	22

### Servo pressure supply

Servo pressure AA, AD.....	24
Servo pressure BA, BB.....	26
Servo pressure BC, BD, CA.....	28
Servo pressure D1, D1.....	30
Servo pressure DA, EA.....	32
Servo pressure G1, G2.....	34
Servo pressure HA, HB, HC.....	36
Servo pressure HE, HF.....	38
Servo pressure K1, K2.....	40
Servo pressure KA, KH.....	42
Servo pressure M1, M2.....	44
Servo pressure MA, MF.....	46
Servo pressure MH, MW.....	48
Servo pressure NP, NR, NT.....	50

### Orifice

Orifice A, B, C, D.....	52
-------------------------	----

### End cap

End cap PA.....	54
End cap PB.....	56
End cap RA.....	58
End cap RB.....	60
End cap TA.....	62
End cap TB.....	64

### Flange/housing

Flange/housing DN, DS, DW.....	66
Flange/housing VN, VS.....	68

### Shaft

Shaft DN-LS.....	70
------------------	----

### Speed sensor

Speed sensor B, C, P, S.....	72
------------------------------	----

### Loop flushing

Loop flushing A-N.....	74
Loop flushing 05-50.....	78
Loop flushing E2, E3, E4, NN.....	80

**Contents**

**Special hardware and displacement**

Special hardware HN, HP.....	82
Special hardware NN, NP.....	84
Minimum displacement 000-MB0.....	86
Maximum displacement A, D, N, Q-U.....	88
Maximum displacement K.....	92

**Overhaul seal kit**

H1B 210cc seal kit.....	94
-------------------------	----

**Service bulletin**

SB-2018-028.....	95
SB-2019-017.....	96

## General information

### Service Parts Identification

The following information and procedure is used to identify the module group, item number, manufacture date, part number, and part name of the parts included in the .

The parts listed include all parts which may be used when performing either "Minor Repairs", "Major Repairs" or "Conversions" on the .

### Nameplate

Each unit will have a nameplate affixed to the housing. The nameplate will include the following information:

#### Model Code

The Danfoss model code completely defines the specific unit and must be used when ordering parts to service this product.

#### Model Number

The Danfoss model number is used by the factory in manufacturing. On repeat orders, a complete unit can be ordered by the model number.

#### Serial Number

The Danfoss serial number is used to identify the manufacture date and the unit sequence in the build. The serial number is also used to identify the units warranty time period.

The letter code indicates the location of original manufacture (assembly).

The first number (2 digits) indicates the year of manufacture. The second number (2 digits) indicates the calendar week of manufacture.

The third number (5 digits) is a sequential number used to identify a specific unit.



## General information

### Date code

The date code is defined as the year and week of manufacture. The same item number may list more than one part number. This indicates that there is more than one configuration for that item number. You will see that there are different date codes for the different part numbers. Find the date code of your unit from the nameplate to determine which service part number you need to order.

*Example: The service part desired is item G30*

Order Code	Item	Date Begin	Date End	Part Number	Part Name	Qty. per Model/Kit
80	G30	89-17		8000243	End cap gasket	1
	G30		89-16	8000151	End cap gasket (SB-1995-006)	1

All units using this order code with a date code prior to 89-17 must use part number "8000151." All units with a date code of 89-17 and newer must use part number "8000243."

### About service bulletins

A Service Bulletin Number (SB-\_\_\_\_ - \_\_\_\_ ) may follow the "Part Name" of the part you desire. You must read that Service Bulletin prior to ordering that part. The information contained in these Service Bulletins, as of the print date of this bulletin, are included at the end of this manual. Service Bulletins contain more detailed information such as interchangeability, what additional parts are involved, etc. It is suggested that you add additional Service Bulletins to this manual as you receive them.

### Procedure to identify a part

The modular design of this product results in a simplified service parts list and part number identification procedure.

The same item numbers are used for same part names on all units within a product type. A part number that has another number following it in parentheses is done to make this a world wide manual.

### Regional part numbers

Some part numbers are region specific and should be ordered accordingly.

As an example, the part number (example: 314583 (9008000-0118)) will be used. The first number is sold in Germany. The number in parentheses is sold in the United States. Customers would order 9008000-0118 if ordering the part in the United States.

### Example of a part identification (H1B 210)

The nameplate on an H1 motor has an Order Code of H1-B-210-A-A-F1-EA-N-A-TB-VN-FN-N-A-15-NN-042-Z-00-NNN. Use the following procedures to determine the part number of the minimum angle set screw used on this motor.

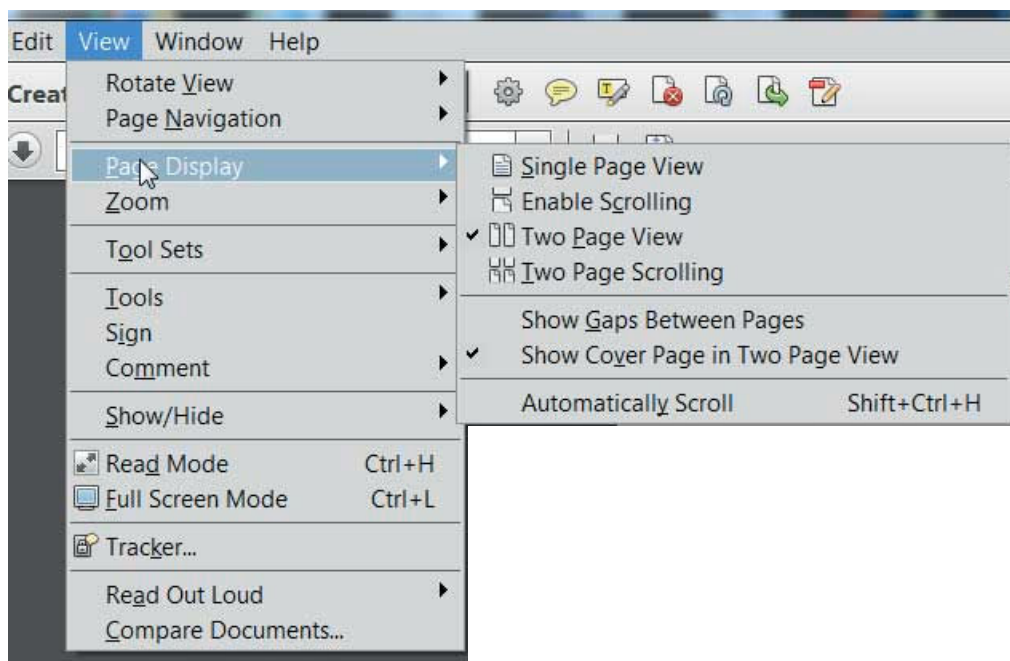
1. Referring to the minimum displacement module in the [Order code](#) on page 8, the minimum angle set screw option for this motor is identified by the code "042". (H1-B-210-A-A-F1-EA-N-A-TB-VN- FN-N-A-15-NN 042Z 00NNN).
2. Referring to the Service Parts List, find the minimum displacement group. Next find the order code that relates to this unit, which is "042". The minimum angle set screw is found to be item N1000 and part number 749564.

## General information

### Adobe Acrobat 2-page viewing

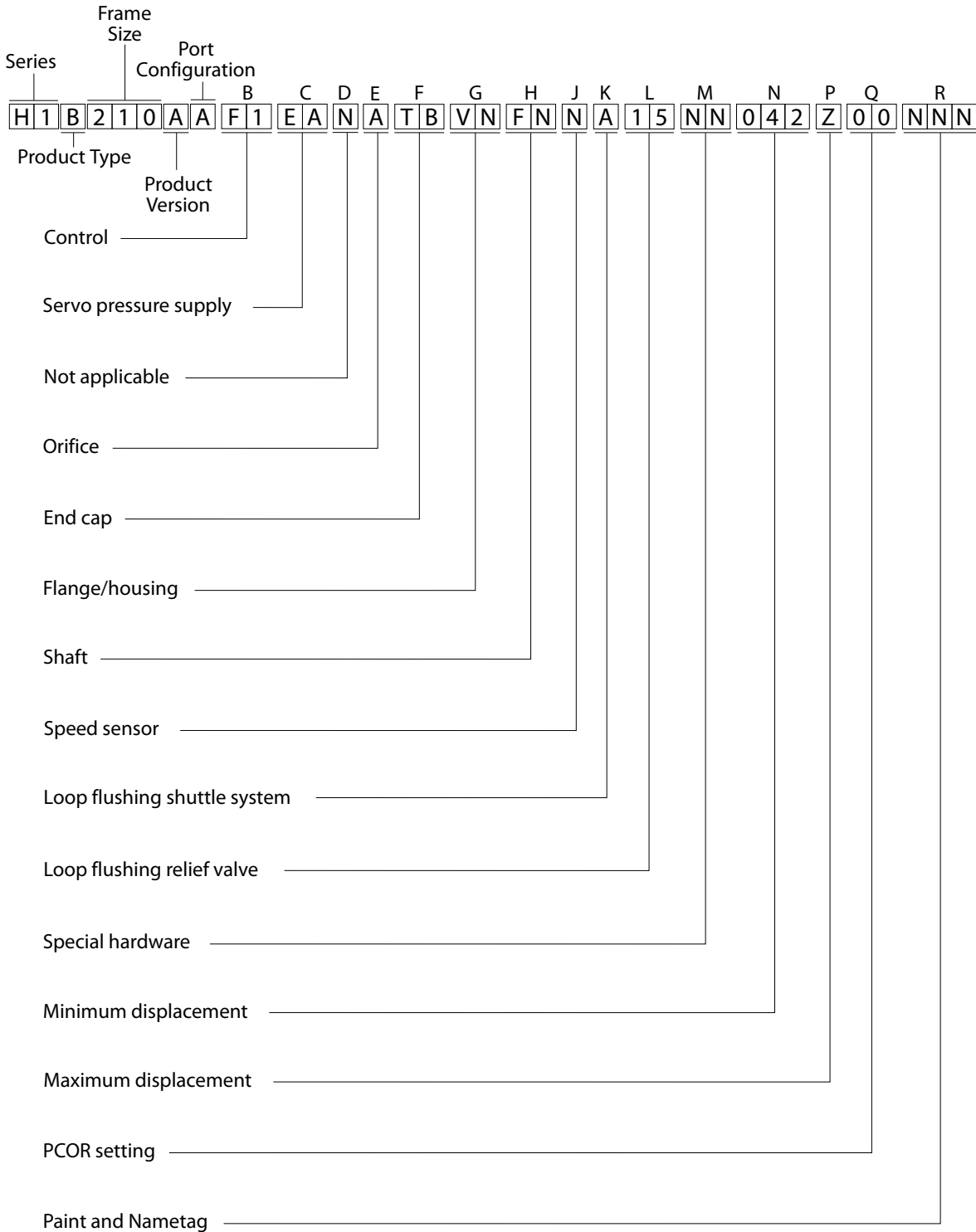
While viewing manual in Adobe Acrobat, the following settings need to be applied to ensure proper page display.

1. Select "View" → "Page Display" → "Two Page View"
2. Select "View" → "Page Display" → "Show Cover Page in Two Page View"



**General information**

**Order code**





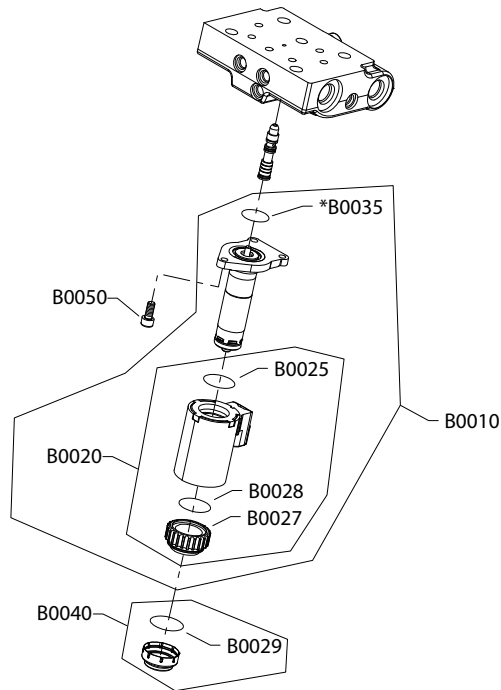
## **General information**

### **Notes**

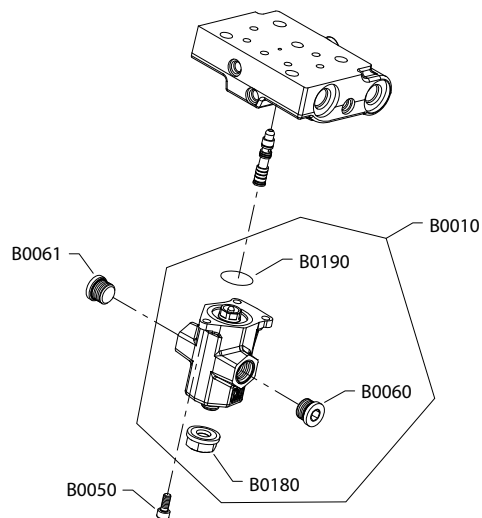
**Control**

**H1B control D1-DH**

*D1 and D2 configuration*



*DH configuration*



Generic housings used to show part locations only.

\* Included in overhaul seal kit Q210

**Control**

**Electric proportional**

Order code: D1

Item	Date Begin	Date End	Part Number	Part Name	Qty. per Model/Kit
B0010	15-49		149053	Solenoid valve, proportional, 12 volt	1
B0020	15-49		11031746	Coil kit, 12 volt	1
B0025	15-49		11004735	O-ring	1
B0027	15-49		11004749	Coil nut	1
B0028	15-49		063172	O-ring	1
B0029	15-49		11037174	O-ring	1
B0035	15-49		11001952	O-ring	1
B0040	15-49		11014185	Plastic cap	1
B0050	15-49		716860	Screw, M5 x 12	3

Order code: D2

B0010	15-49		11002705	Solenoid valve, proportional, 24 volt	1
B0020	15-49		11031749	Coil kit, 24 volt	1
B0025	15-49		11004735	O-ring	1
B0027	15-49		11004749	Coil nut	1
B0028	15-49		063172	O-ring	1
B0029	15-49		11037174	O-ring	1
B0035	15-49		11001952	O-ring	1
B0040	15-49		11014185	Plastic cap	1
B0050	15-49		716860	Screw, M5 x 12	3

**Hydraulic proportional**

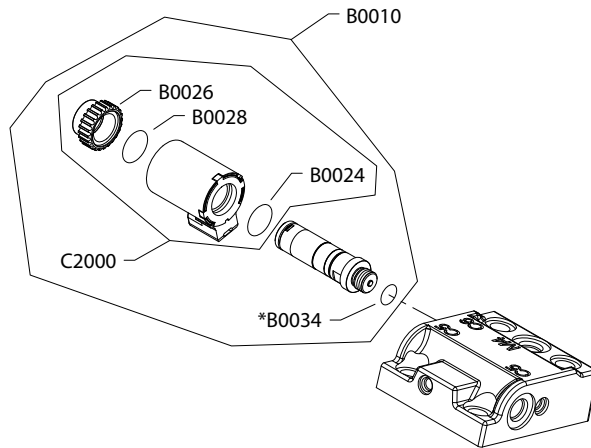
Order code: DH

B0010	15-49		11146306	Actuator assembly	1
B0050	15-49		716860	Screw, M5 x 12	3
B0060	15-49		140644	Plug assembly	1
B0061	15-49		140644	Plug assembly	1
B0180	15-49		076042 (9003509-0012)	Seal nut, M12	1
B0190	15-49		012575 (9004105-1170)	O-ring	1

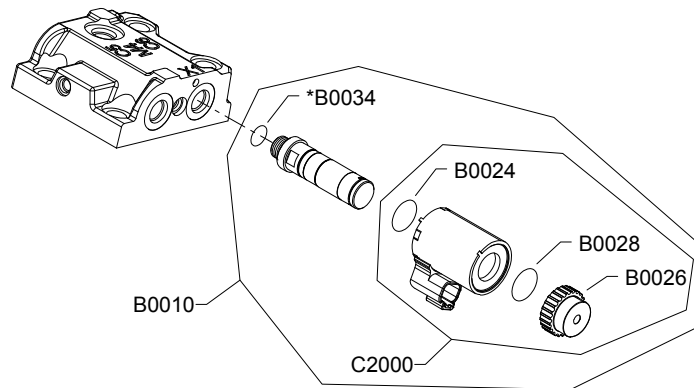
**Control**

**H1B control E1-F2**

*E1 and E2 configuration*



*F1 and F2 configuration*



---

Generic housings used to show part location only.

---

\* Included in overhaul seal kit Q210

**Control**

**Electric 2-position**

Order code: E1

Item	Date Begin	Date End	Part Number	Part Name	Qty. per Model/Kit
B0010	15-49		11013615	Solenoid, on/off, 12 volt	1
B0024	15-49		11027046	O-ring	1
B0026	15-49		11027046	Coil nut	1
B0028	15-49		063172	O-ring	
B0034	15-49		085043 (9004201-3700)	O-ring	1
C2000	15-49		11031763	Coil kit, 12 volt	1

Order code: E2

B0010	15-49		11013616	Solenoid, on/off, 24 volt	1
B0024	15-49		11031608	O-ring	1
B0026	15-49		11027046	Coil nut	1
B0028	15-49		063172	O-ring	1
B0034	15-49		085043 (9004201-3700)	O-ring	1
C2000	15-49		11031764	Coil kit, 24 volt	1

Order code: F1

B0010	15-49		11013615	Solenoid, on/off, 12 volt	1
B0024	15-49		11027046	O-ring	1
B0026	15-49		11027046	Coil nut	1
B0028	15-49		063172	O-ring	
B0034	15-49		085043 (9004201-3700)	O-ring	1
C2000	15-49		11031763	Coil kit, 12 volt	1

Order code: F2

B0010	15-49		11013616	Solenoid, on/off, 24 volt	1
B0024	15-49		11031608	O-ring	1
B0026	15-49		11027046	Coil nut	1
B0028	15-49		063172	O-ring	1
B0034	15-49		085043 (9004201-3700)	O-ring	1
C2000	15-49		11031764	Coil kit, 24 volt	1

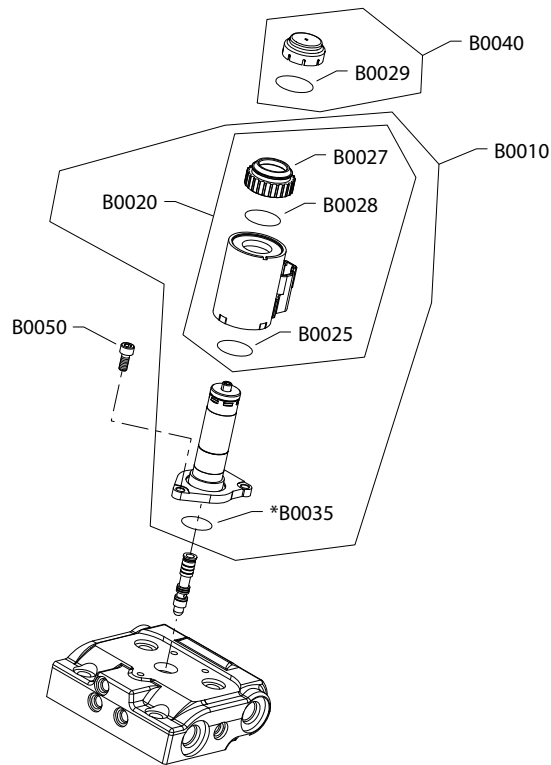
Order code: HE and HF

No parts
----------

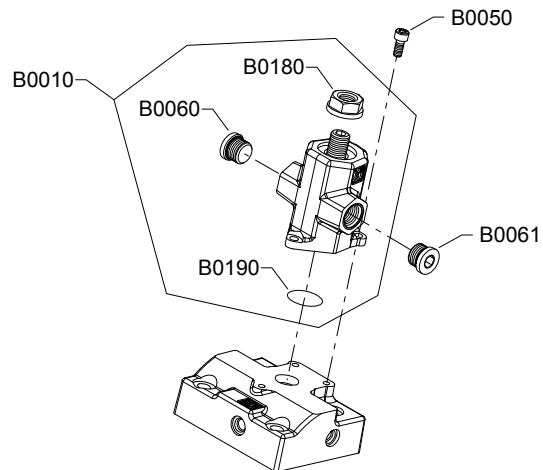
**Control**

**H1B control K1-KH**

*K1, K2 configuration*



*KH configuration*



Generic housing used to show part location only.

\* Included in overhaul seal kit Q210

## Control

Order code: K1

Item	Date Begin	Date End	Part Number	Part Name	Qty. per Model/Kit
B0010	15-49		149053	Solenoid valve, proportional, 12 volt	1
B0020	15-49		11031746	Coil kit, 12 volt	1
B0025	15-49		11004735	O-ring	1
B0027	15-49		11004749	Coil nut	1
B0028	15-49		063172	O-ring	1
B0029	15-49		11037174	O-ring	1
B0035	15-49		11001952	O-ring	1
B0040	15-49		11014185	Plastic cap	1
B0050	15-49		716860	Screw, M5 x 12	3

Order code: K2

B0010	15-49		11002705	Solenoid valve, proportional, 24 volt	1
B0020	15-49		11031749	Coil kit, 24 volt	1
B0025	15-49		11004735	O-ring	1
B0027	15-49		11004749	Coil nut	1
B0028	15-49		063172	O-ring	1
B0029	15-49		11037174	O-ring	1
B0035	15-49		11001952	O-ring	1
B0040	15-49		11014185	Plastic cap	1
B0050	15-49		716860	Screw, M5 x 12	3

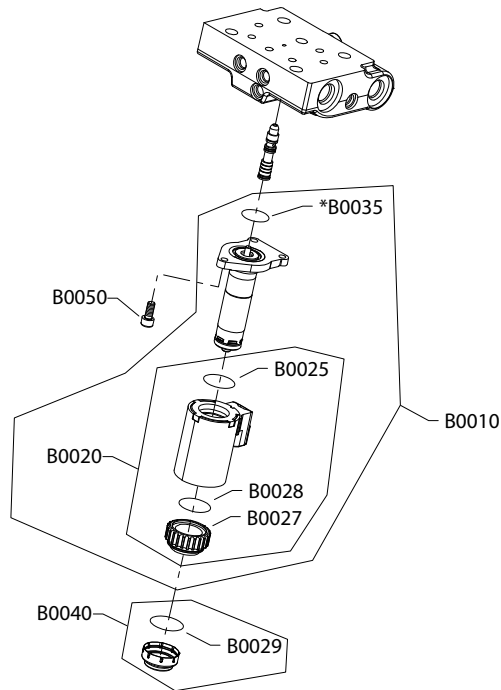
Order code: KH

B0010	15-49		11146306	Actuator assembly	1
B0050	15-49		716860	Screw, M5 x 12	3
B0060	15-49		140644	Plug assembly	1
B0061	15-49		140644	Plug assembly	1
B0180	15-49		076042 (9003509-0012)	Seal nut, M12	1
B0190	15-49		012575 (9004105-1170)	O-ring	1

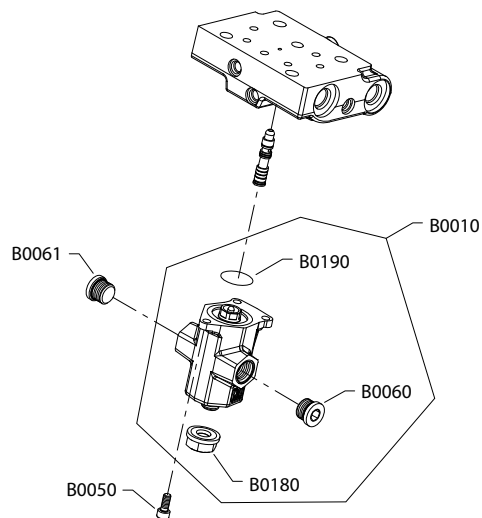
**Control**

**H1B control L1-LH**

*L1 and L2 configuration*



*LH configuration*



Generic housings used to show part locations only.

\* Included in overhaul seal kit Q210



## Control

### Electric proportional

Order code: L1

Item	Date Begin	Date End	Part Number	Part Name	Qty. per Model/Kit
B0010	15-49		149053	Solenoid valve, proportional, 12 volt	1
B0020	15-49		11031746	Coil kit, 12 volt	1
B0025	15-49		11004735	O-ring	1
B0027	15-49		11004749	Coil nut	1
B0028	15-49		063172	O-ring	1
B0029	15-49		11037174	O-ring	1
B0035	15-49		11001952	O-ring	1
B0040	15-49		11014185	Plastic cap	1
B0050	15-49		716860	Screw, M5 x 12	3

Order code: L2

B0010	15-49		11002705	Solenoid valve, proportional, 24 volt	1
B0020	15-49		11031749	Coil kit, 24 volt	1
B0025	15-49		11004735	O-ring	1
B0027	15-49		11004749	Coil nut	1
B0028	15-49		063172	O-ring	1
B0029	15-49		11037174	O-ring	1
B0035	15-49		11001952	O-ring	1
B0040	15-49		11014185	Plastic cap	1
B0050	15-49		716860	Screw, M5 x 12	3

### Hydraulic proportional

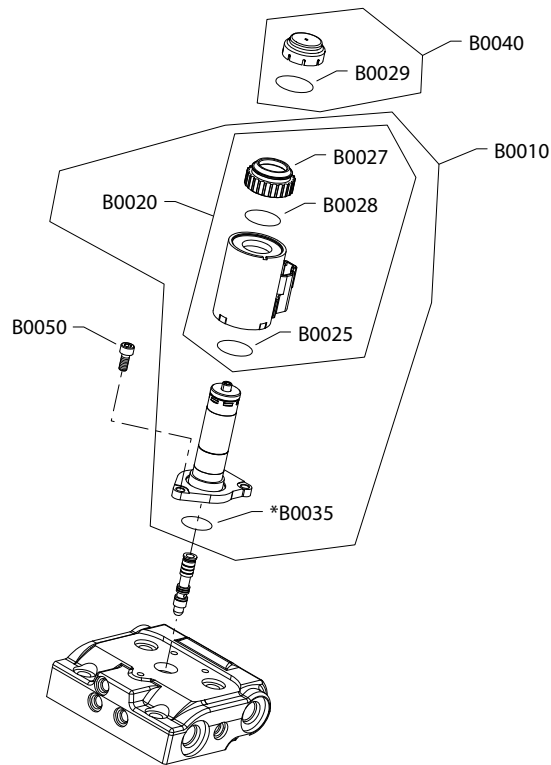
Order code: LH

B0010	15-49		11146306	Actuator assembly	1
B0050	15-49		716860	Screw, M5	3
B0060	15-49		140644	Plug assembly	1
B0061	15-49		140644	Plug assembly	1
B0180	15-49		076042 (9003509-0012)	Seal nut, M12	1
B0190	15-49		012575 (9004105-1170)	O-ring	1

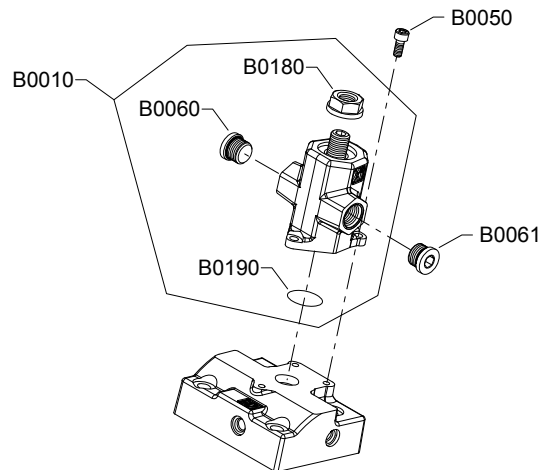
**Control**

**H1B control M1-MH**

*M1, M2 configuration*



*MH configuration*



Generic housing used to show part location only.

\* Included in overhaul seal kit Q210

## Control

Order code: M1

Item	Date Begin	Date End	Part Number	Part Name	Qty. per Model/Kit
B0010	15-49		149053	Solenoid valve, proportional, 12 volt	1
B0020	15-49		11031746	Coil kit, 12 volt	1
B0025	15-49		11004735	O-ring	1
B0027	15-49		11004749	Coil nut	1
B0028	15-49		063172	O-ring	1
B0029	15-49		11037174	O-ring	1
B0035	15-49		11001952	O-ring	1
B0040	15-49		11014185	Plastic cap	1
B0050	15-49		716860	Screw, M5 x 12	3

Order code: M2

B0010	15-49		11002705	Solenoid valve, proportional, 24 volt	1
B0020	15-49		11031749	Coil kit, 24 volt	1
B0025	15-49		11004735	O-ring	1
B0027	15-49		11004749	Coil nut	1
B0028	15-49		063172	O-ring	1
B0029	15-49		11037174	O-ring	1
B0035	15-49		11001952	O-ring	1
B0040	15-49		11014185	Plastic cap	1
B0050	15-49		716860	Screw, M5 x 12	3

Order code: MH

B0010	15-49		11146306	Actuator assembly	1
B0050	15-49		716860	Screw, M5 x 12	3
B0060	15-49		140644	Plug assembly	1
B0061	15-49		140644	Plug assembly	1
B0180	15-49		076042 (9003509-0012)	Seal nut, M12	1
B0190	15-49		012575 (9004105-1170)	O-ring	1

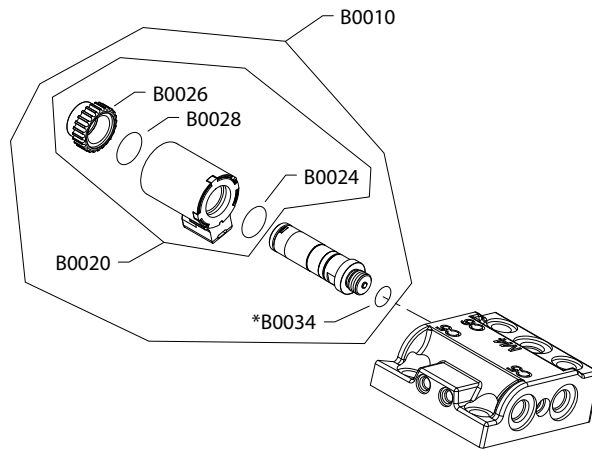
Order code: N1, NA, NB

No parts
----------

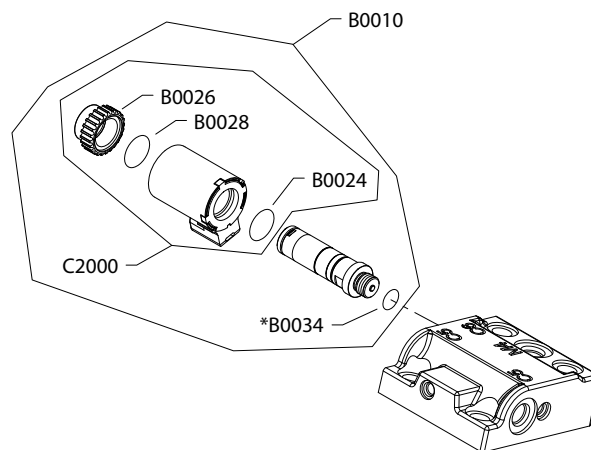
**Control**

**H1B control P1-T2**

*P1 and P2 configuration*



*T1 and T2 configuration*



---

Generic housings used to show part location only.

---

\* Included in overhaul seal kit Q210

## Control

Order code: P1

Item	Date Begin	Date End	Part Number	Part Name	Qty. per Model/Kit
B0010	15-49		11013613	Solenoid valve, proportional, 12 volt	1
B0020	15-49		11031751	Coil kit, 12 volt	1
B0024	15-49		11031608	O-ring	1
B0026	15-49		11027046	Coil nut	1
B0028	15-49		063172	O-ring	1
B0034	15-49		085043 (9004201-3700)	O-ring	1

Order code: P2

B0010	15-49		11013614	Solenoid valve, proportional, 24 volt	1
B0020	15-49		11031762	Coil kit, 24 volt	1
B0024	15-49		11031608	O-ring	1
B0026	15-49		11027046	Coil nut	1
B0028	15-49		063172	O-ring	1
B0034	15-49		085043 (9004201-3700)	O-ring	1

Order code: T1

B0010	15-49		11013615	Solenoid, on/off, 12 volt	1
B0024	15-49		11031608	O-ring	1
B0026	15-49		11027046	Coil nut	1
B0028	15-49		063172	O-ring	1
B0034	15-49		085043 (9004201-3700)	O-ring	1
C2000	15-49		11031763	Coil kit, 12 volt	1

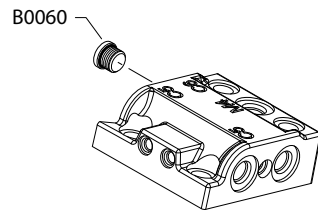
Order code: T2

B0010	15-49		11013616	Solenoid, on/off, 24 volt	1
B0024	15-49		11031608	O-ring	1
B0026	15-49		11027046	Coil nut	1
B0028	15-49		063172	O-ring	1
B0034	15-49		085043 (9004201-3700)	O-ring	1
C2000	15-49		11031764	Coil kit, 24 volt	1

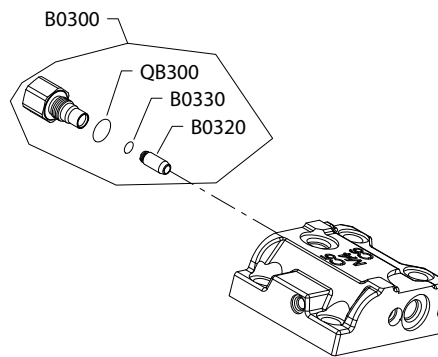
**Control**

**H1B control TA, TH**

*TA configuration*



*TH configuration*



---

Generic housings used to show part location only.

---

\* Included in overhaul seal kit Q210

**Control**

*Order code: TA*

Item	Date Begin	Date Begin	Part Number	Part Name	Qty. per Model/Kit
B0060	11-46		140644	Plug assembly	1

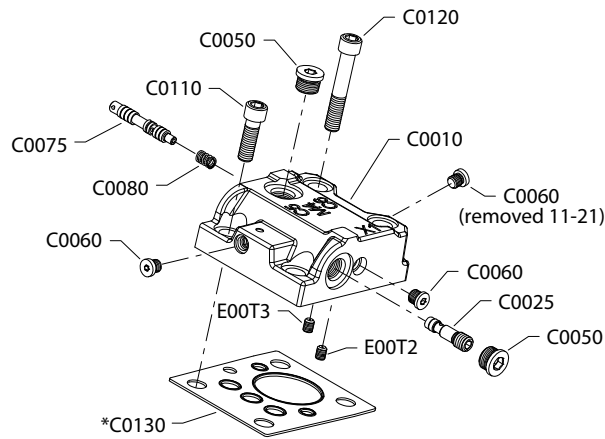
*Order code: TH*

B0300	15-27		11157844	PCOR override adapter assembly	1
B0320	15-27		11157843	Sensing spool	1
B0330	15-27		11164139	O-ring	1
QB300	15-27		085043 (9004201-3700)	O-ring	1

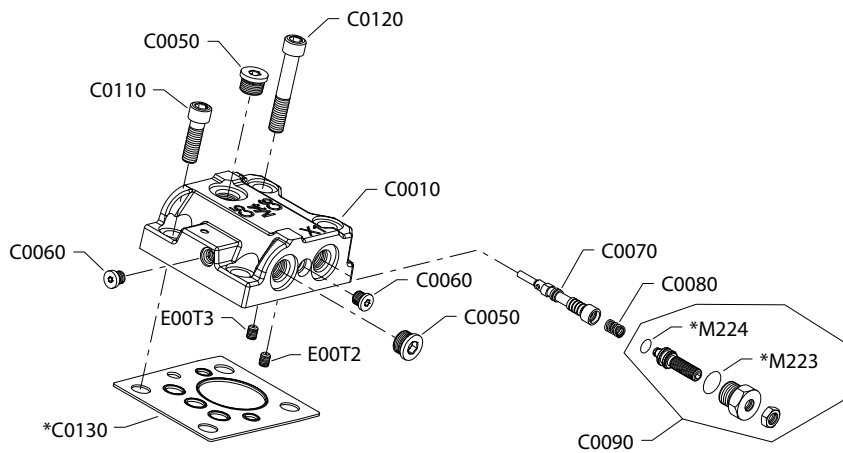
**Servo pressure supply**

**H1B servo pressure AA, AD**

*AA configuration*



*AD configuration*



\* Included in overhaul seal kit Q210

Option AA is available in SAE and metric port configurations. Please order accordingly.



**Servo pressure supply**

Order code: AA

Item	Date Begin	Date End	Part Number	Part Name	Qty. per Model/Kit
C0010	15-49		11086113	Control housing, 2-position (SAE)	1
C0010	15-49		11171632	Control housing, 2-position (metric)	1
C0025	15-49		11000893	Shuttle valve assembly	1
C0050	15-49		140644	Plug assembly (SAE)	2
C0050	15-49		11178808	Plug assembly (metric)	2
C0060	11-22		11040532	Plug assembly	2
C0060	15-49	11-21	11040532	Plug assembly	3
C0075	15-49		11016166	Spool	1
C0080	15-49		11160236	Spring (SAE)	1
C0080	15-49		11160236	Spring (metric)	1
C0110	15-49		737866 (9007314-1207)	Screw, M12 x 30	2
C0120	15-49		283325 (9007314-1211)	Screw, M12 x 50	2
C0130	15-49		11016168	Control seal	1

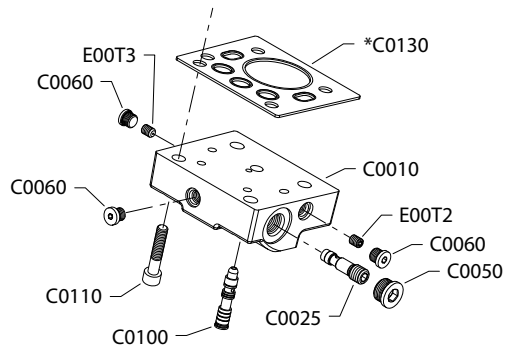
Order code: AD

C0010	15-49		11110070	Control housing, 2-position	1
C0050	15-49		140644	Plug assembly (SAE)	2
C0060	11-22		11040532	Plug assembly	2
C0070	15-49		11016228	Spool	1
C0080	15-49		11160236	Spring (SAE)	1
C0090	15-49		509360	Adjuster	1
C0110	15-49		737866 (9007314-1207)	Screw, M12 x 30	2
C0120	15-49		283325 (9007314-1211)	Screw, M12 x 50	2
C0130	15-49		11016168	Control seal	1
M223	15-49		085043 (9004201-3700)	O-ring	1
M224	15-49		11197086	O-ring	1

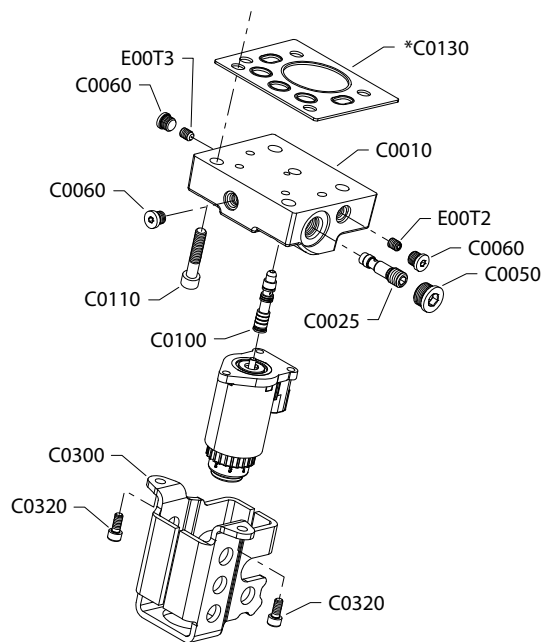
**Servo pressure supply**

**H1B servo pressure BA, BB**

*BA configuration*



*BB configuration*



\* Included in overhaul seal kit Q210

**Servo pressure supply**

Option BA and BB are available in SAE and metric. Please order accordingly.

Order code: BA

Item	Date Begin	Date End	Part Number	Part Name	Qty. per Model/Kit
C0010	15-49		149057	Control housing, proportional (SAE)	1
C0010	15-45		11161819	Control housing, proportional (metric)	1
C0025	15-49		11000893	Shuttle valve assembly	1
C0050	15-49		140644	Plug assembly (SAE)	1
C0050	15-45		11178808	Plug assembly (metric)	1
C0060	15-49		11040532	Plug assembly	3
C0100	15-49		11146871	Spool (SAE)	1
C0100	15-45		11146871	Spool (metric)	1
C0110	15-49		710855	Screw, M8 x 35	4
C0130	15-49		149040	Control seal	1

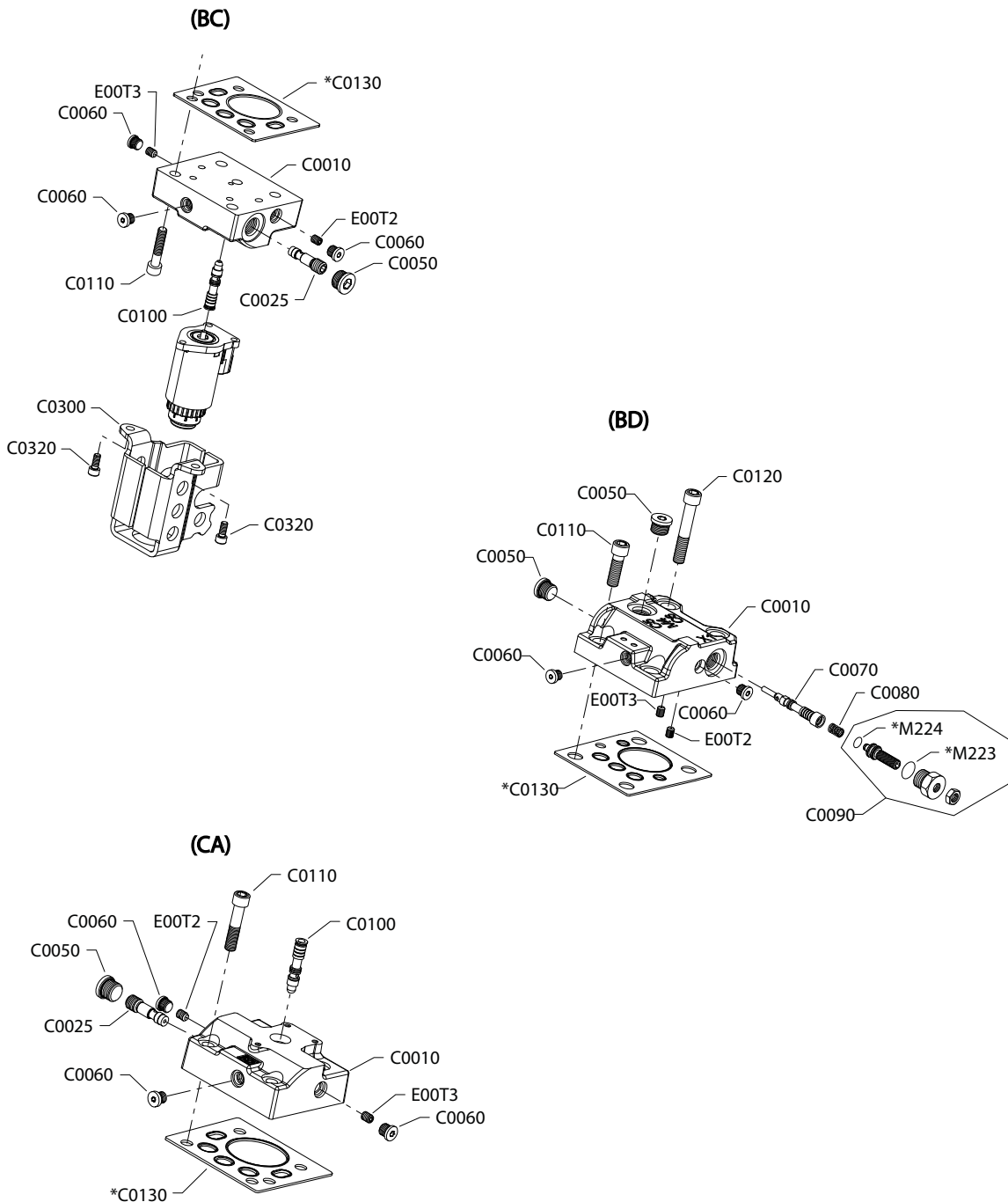
Order code: BB

C0010	12-24		11116918	Control housing, proportional (SAE)	1
C0010	12-24		11178808	Control housing, proportional (metric)	1
C0025	12-24		11000893	Shuttle valve assembly	1
C0050	12-24		140644	Plug assembly (SAE)	1
C0060	12-24		11040532	Plug assembly	3
C0100	12-24		11146871	Spool (SAE)	1
C0110	12-24		710855	Screw, M8 x 35	4
C0130	12-24		149040	Control seal	1
C0300	12-24		11086158	Protective cover	1
C0320	12-24		395822	Screw, M6 x 12mm	2

**Servo pressure supply**

**H1B servo pressure BC, BD, CA**

*Parts configuration*



\* Included in overhaul seal kit Q210

Option BC is only available in metric configuration. Option CA is available in both SAE and metric configurations. Please order accordingly.

### Servo pressure supply

Order code: BC

Item	Date Begin	Date End	Part Number	Part Name	Qty. per Model/Kit
C0010	16-38		11169197	Control housing, proportional (metric)	1
C0025	16-38		11000893	Shuttle valve assembly	1
C0050	16-38		11178808	Plug assembly (metric)	1
C0060	16-38		11040532	Plug assembly	3
C0100	16-38		11146871	Spool (metric)	1
C0110	16-38		710855	Screw, M8 x 35	4
C0130	16-38		149040	Control seal	1
C0300	16-38		11086158	Protection cover	1
C0320	16-38		395822	Screw, M6 x 12	2

Order code: BD

C0010	15-49		11110071	Control housing, 2-position	1
C0050	15-49		140644	Plug assembly (SAE)	2
C0060	15-49		11040532	Plug assembly	2
C0070	15-49		11016228	Spool	1
C0080	15-49		11160236	Spring (SAE)	1
C0090	15-49		509360	Adjuster	1
C0110	15-49		737866 (9007314-1207)	Screw, M12 x 30	2
C0120	15-49		283325 (9007314-1211)	Screw, M12 x 50	2
C0130	15-49		11016168	Control seal	1
M223	15-49		085043 (9004201-3700)	O-ring	1
M224	15-49		11197086	O-ring	1

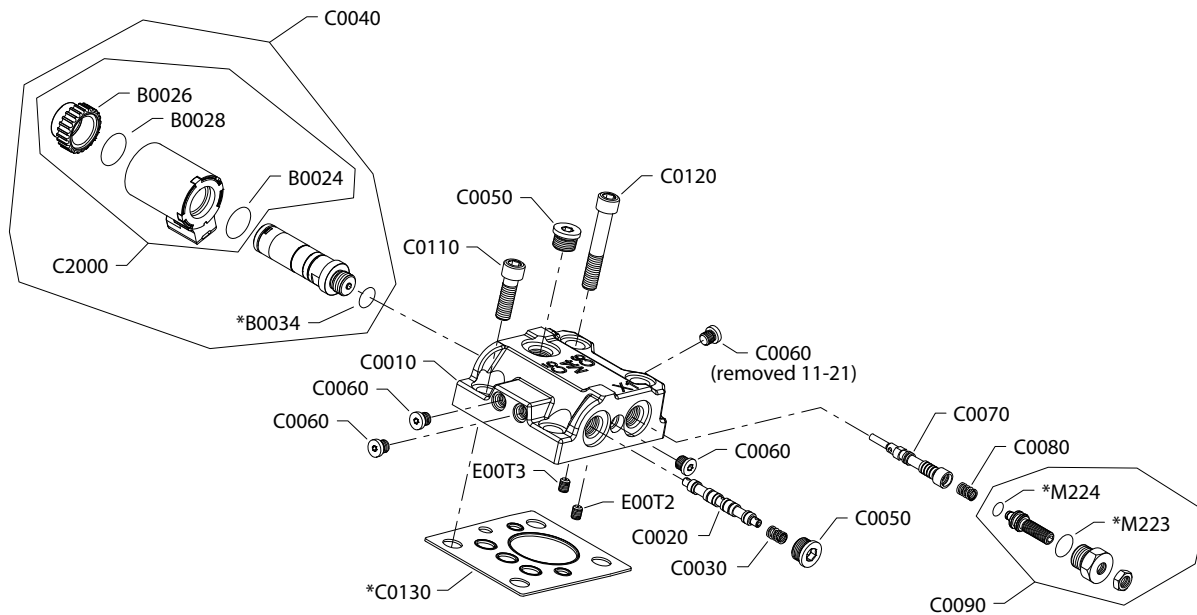
Order code: CA

C0010	15-49		149057	Control housing, proportional (SAE)	1
C0010	17-06		11161819	Control housing, proportional (metric)	1
C0025	15-49		11000893	Shuttle valve assembly	1
C0050	15-49		140644	Plug assembly (SAE)	1
C0050	17-06		11178808	Plug assembly (metric)	1
C0060	15-49		11040532	Plug assembly	3
C0100	15-49		11146871	Spool (SAE)	1
C0100	17-06		11146871	Spool (metric)	1
C0110	15-49		710855	Screw, M8 x 35	4
C0130	15-49		149040	Control seal	1

**Servo pressure supply**

**H1B servo pressure D1, D2**

*D1 and D2 configuration*



\* Included in overhaul seal kit Q210

### Servo pressure supply

Order code: D1 and D2 common parts

Item	Date Begin	Date End	Part Number	Part Name	Qty. per Model/Kit
B0024	15-49		11031608	O-ring	1
B0026	15-49		11027046	Coil nut	1
B0028	15-49		063172	O-ring	1
B0034	15-49		085043 (9004201-3700)	O-ring	1
C0010	15-49		11086114	Control housing, PCOR	1
C0020	15-49		11016229	Spool	1
C0030	15-49		11160236	Spring	1
C0050	15-49		140644	Plug assembly (SAE)	2
C0060	11-22		11040532	Plug assembly	3
C0060	15-49	11-21	11040532	Plug assembly	4
C0070	15-49		11016228	Spool	1
C0080	15-49		11160236	Spring	1
C0090	15-49		509360	Adjuster	1
C0110	15-49		737866 (9007314-1207)	Screw, M12 x 30	2
C0120	15-49		283325 (9007314-1211)	Screw, M12 x 50	2
C0130	15-49		11016168	Control seal	1
M223	15-49		085043 (9004201-3700)	O-ring	1
M224	15-49		11197086	O-ring	1

Order code: D1

C0040	15-49		11013615	Solenoid, on/off, 12 volt	1
C2000	15-49		11031763	Coil kit, 12 volt	1

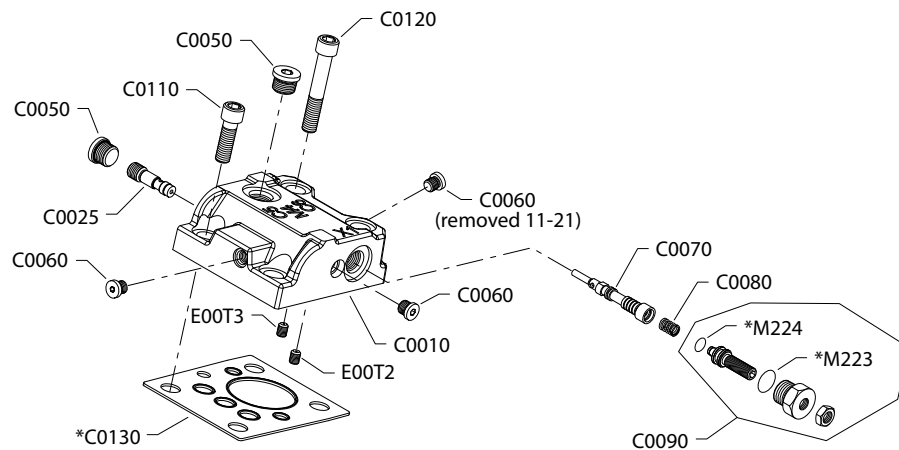
Order code: D2

C0040	15-49		11013616	Solenoid, on/off, 24 volt	1
C2000	15-49		11031764	Coil kit, 24 volt	1

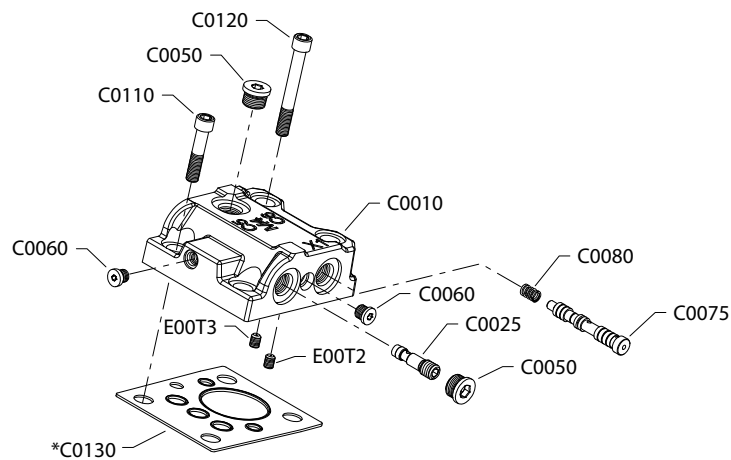
**Servo pressure supply**

**H1B servo pressure DA, EA**

*DA configuration*



*EA configuration*



\* Included in overhaul seal kit Q210



**Servo pressure supply**

Order code: DA

Item	Date Begin	Date End	Part Number	Part Name	Qty. per Model/Kit
C0010	15-49		11086115	Control housing, PCOR	1
C0025	15-49		11000893	Shuttle valve assembly	1
C0050	15-49		140644	Plug assembly (SAE)	2
C0060	11-22		11040532	Plug assembly	2
C0060	15-49	11-21	11040532	Plug assembly	3
C0070	15-49		11016228	Spool	1
C0080	15-49		11160236	Spring	1
C0090	15-49		509360	Adjuster	1
C0110	15-49		737866 (9007314-1207)	Screw, M12 x 30	2
C0120	15-49		283325 (9007314-1211)	Screw, M12 x 50	2
C0130	15-49		11016168	Control seal	1
M223	15-49		085043 (9004201-3700)	O-ring	1
M224	15-49		11197086	O-ring	1

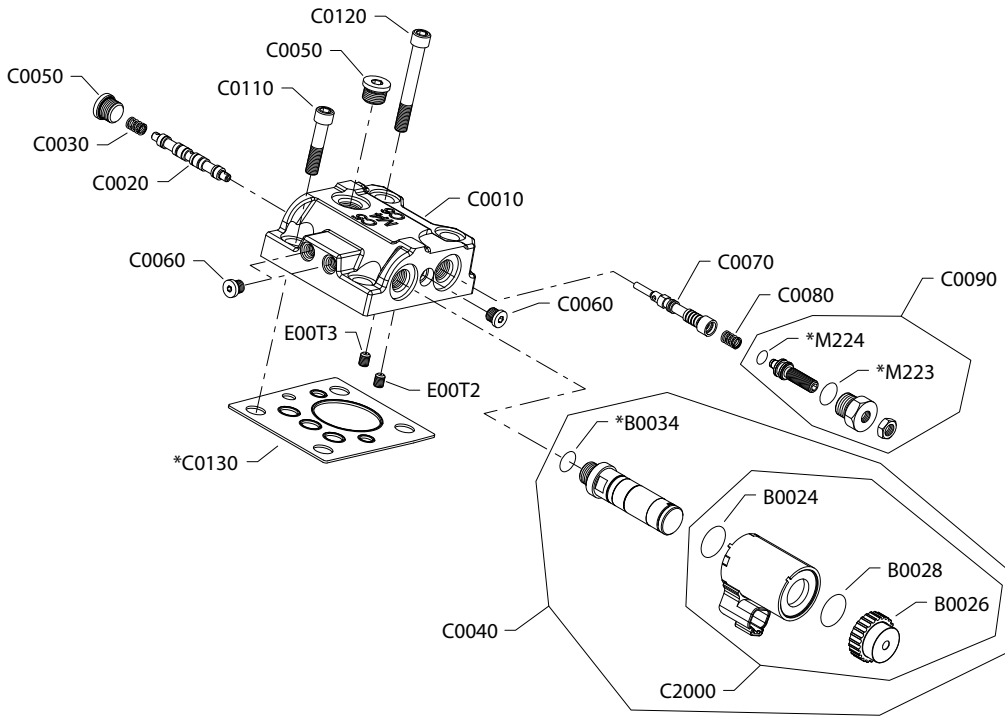
Order code: EA

C0010	15-49		11099281	Control housing, 2-position	1
C0025	15-49		11000893	Shuttle valve assembly	1
C0050	15-49		140644	Plug assembly	1
C0060	15-49		11040532	Plug assembly	2
C0075	15-49		11122114	Spool, 2-position	1
C0080	15-49		11160236	Spring	1
C0110	15-49		737866 (9007314-1207)	Screw, M12 x 30	2
C0120	15-49		283325 (9007314-1211)	Screw, M12 x 50	2
C0130	15-49		11016168	Control seal	1

**Servo pressure supply**

**H1B servo pressure G1, G2**

*G1 and G2 configuration*



\* Included in overhaul seal kit Q210

### Servo pressure supply

Order code: G1 and G2 common parts

Item	Date Begin	Date End	Part Number	Part Name	Qty. per Model/Kit
B0024	16-07		11031608	O-ring	1
B0026	16-07		11027046	Coil nut	1
B0028	16-07		063172	O-ring	1
B0034	16-07		085043 (9004201-3700)	O-ring	1
C0010	16-07		11173253	Control housing, 2-position	1
C0020	16-07		11016229	Spool	1
C0030	16-07		11160236	Spring	1
C0050	16-07		140644	Plug assembly (SAE)	2
C0060	16-07		11040532	Plug assembly	3
C0070	16-07		11016228	Spool	1
C0080	16-07		11160236	Spring	1
C0090	16-07		509360	Adjuster	1
C0110	16-07		737866 (9007314-1207)	Screw, M12 x 30	2
C0120	16-07		283325 (9007314-1211)	Screw, M12 x 50	2
C0130	16-07		11016168	Control seal	1
M223	16-07		085043 (9004201-3700)	O-ring	1
M224	16-07		11197086	O-ring	1

Order code: G1

C0040	16-07		11013615	Solenoid valve, 12v	1
C200	16-07		11031763	Coil kit, 12 volt	1

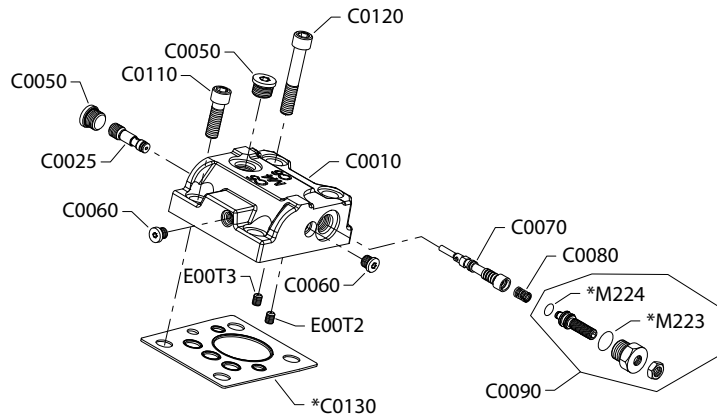
Order code: G2

C0040	16-07		11013616	Solenoid valve, 24v	1
C2000	16-07		11031764	Coil kit, 24 volt	1

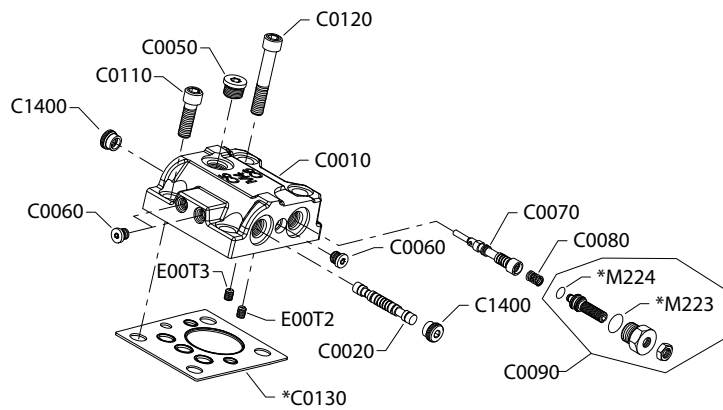
**Servo pressure supply**

**H1B servo pressure HA, HB, HC**

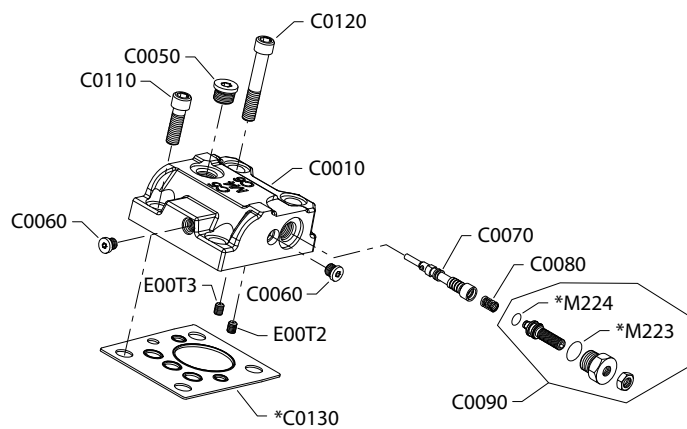
*HA configuration*



*HB configuration*



*HC configuration*



\* Included in overhaul seal kit Q210

### Servo pressure supply

Order code: Common parts

Item	Date Begin	Date End	Part Number	Part Name	Qty. per Model/Kit
C0070	15-49		11016228	Spool	1
C0080	15-49		11160236	Spring	1
C0090	15-49		509360	Adjuster	1
C0110	15-49		737866 (9007314-1207)	Screw, M12 x 30	2
C0120	15-49		283325 (9007314-1211)	Screw, M12 x 50	2
C0130	15-49		11016168	Control seal	1
M223	15-49		085043 (9004201-3700)	O-ring	1
M224	15-49		11197086	O-ring	1

Order code: HA

C0010	15-49		11162117	Control housing, 2-position	1
C0025	15-49		11000893	Shuttle valve assembly	1
C0050	15-49		140644	Plug assembly	2
C0060	15-49		11040532	Plug assembly	2

Order code: HB

C0010	15-49		11162118	Control housing, 2-position	1
C0020	15-49		11162120	Spool	1
C0050	15-49		140644	Plug assembly	1
C0060	15-49		11040532	Plug assembly	3

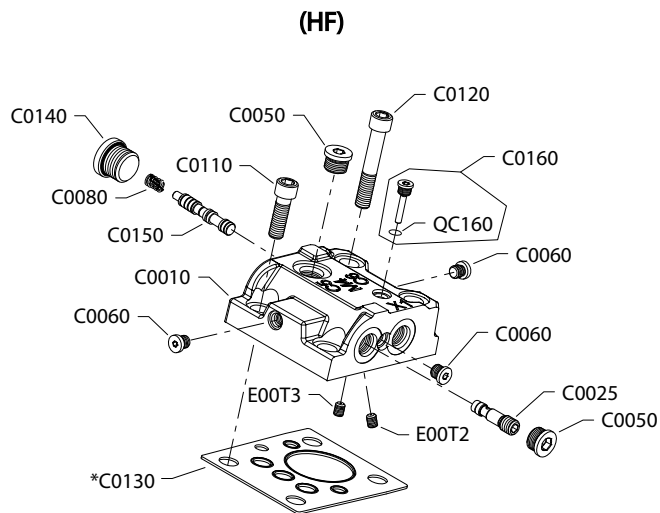
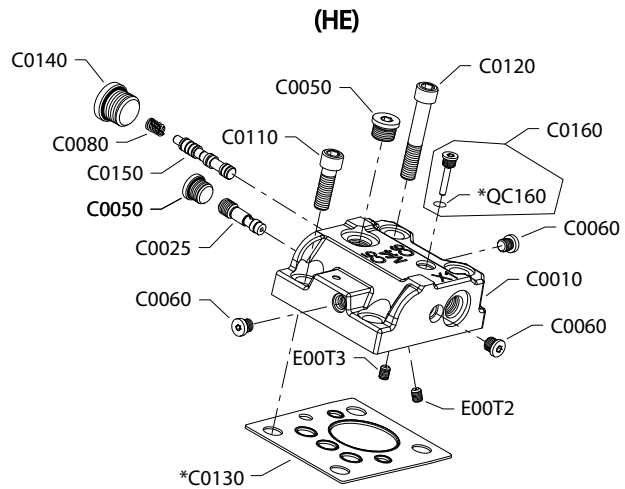
Order code: HC

C0010	15-49		11162119	Control housing, 2-position	1
C0050	15-49		140644	Plug assembly	1
C0060	15-49		11040532	Plug assembly	2

**Servo pressure supply**

**H1B servo pressure HE, HF**

*HE and HF configuration*



\* Included in overhaul seal kit Q210

Option HE is available in SAE and metric. Please order accordingly.

### Servo pressure supply

Order code: HE and HF common parts

Item	Date Begin	Date End	Part Number	Part Name	Qty. per Model/Kit
C0025	15-49		11000893	Shuttle valve assembly	1
C0060	15-49		11040532	Plug assembly	3
C0110	15-49		737866 (9007314-1207)	Screw, M12 x 30	2
C0120	15-49		283325 (9007314-1211)	Screw, M12 x 50	2
C0130	15-49		11016168	Control seal	1
C0150	15-49		11068172	Spool	1
C0160	15-49		511244	Plug assembly	1
QC160	15-49		039297 (9004201-1200)	O-ring	1

Order code: HE

C0010	15-49		11086117	Control housing, 2-position (SAE)	1
C0010	15-49		11175039	Control housing, 2-position (metric)	1
C0050	15-49		140644	Plug assembly (SAE)	2
C0050	15-49		11178808	Plug assembly (metric)	2
C0080	15-49		11160236	Spring (SAE)	1
C0080	15-49		11160236	Spring (metric)	1
C0140	15-49		9005110-8700 (315325)	Plug assembly (SAE)	1
C0140	15-49		9005110-8700 (315325)	Plug assembly (metric)	1

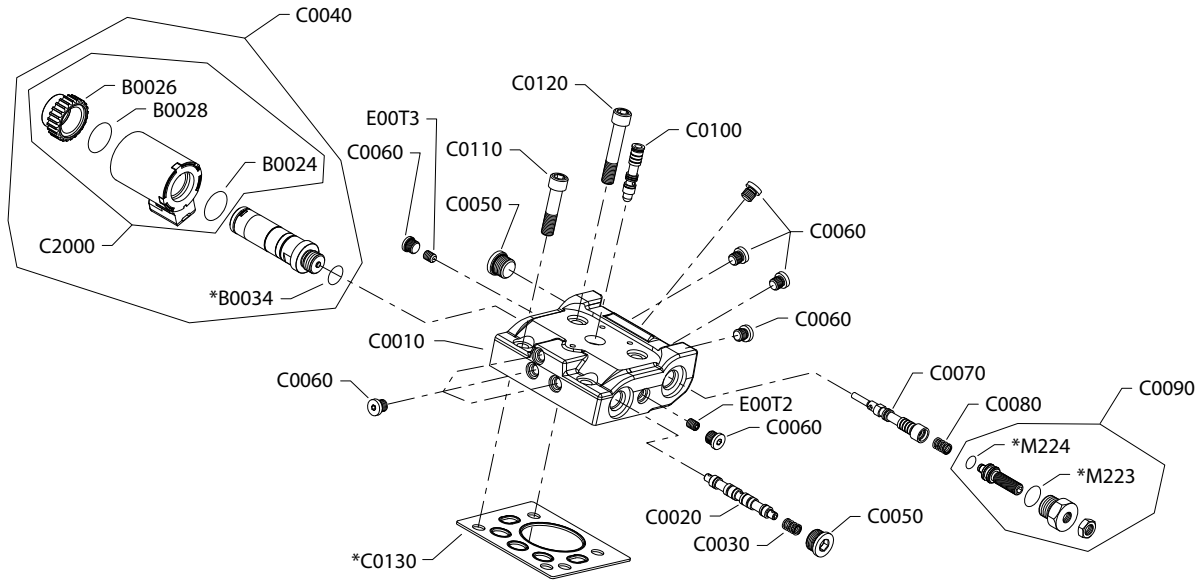
Order code: HF

C0010	15-49		11086118	Control housing, 2-position (SAE)	1
C0050	15-49		140644	Plug assembly (SAE)	2
C0080	15-49		11160236	Spring (SAE)	1
C0140	15-49		9005110-8700 (315325)	Plug assembly (SAE)	1

**Servo pressure supply**

**H1B servo pressure K1, K2**

*K1 and K2 configuration*



\* Included in overhaul seal kit Q210



**Servo pressure supply**

Order code: K1 and K2 common parts

Item	Date Begin	Date End	Part Number	Part Name	Qty. per Model/Kit
B0024	15-49		11031608	O-ring	1
B0026	15-49		11027046	Coil nut	1
B0028	15-49		063172	O-ring	1
B0034	15-49		085043 (9004201-3700)	O-ring	1
C0010	15-49		11026748	Control housing, proportional, PCOR	1
C0020	15-49		11026792	Spool	1
C0030	15-49		11160236	Spring	1
C0050	15-49		140644	Plug assembly (SAE)	2
C0060	15-49		11040532	Plug assembly	9
C0070	15-49		11026751	Spool	1
C0080	15-49		11160236	Spring	1
C0090	15-49		509360	Adjuster	1
C0100	15-49		11146871	Spool	1
C0110	15-49		710855	Screw, M8 x 35	2
C0120	15-49		746644 (9007314-0810)	Screw, M8 x 45	2
C0130	15-49		149040	Control seal	1
M223	15-49		085043 (9004201-3700)	O-ring	1
M224	15-49		11197086	O-ring	1

Order code: K1

C0040	15-49		11013615	Solenoid, on/off, 12 volt	1
C2000	15-49		11031763	Coil kit, 12 volt	1

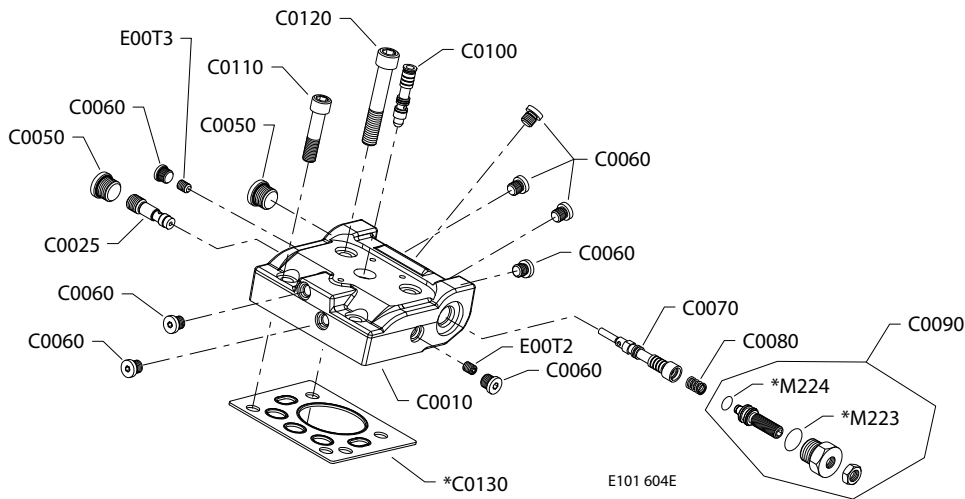
Order code: K2

C0040	15-49		11013616	Solenoid, on/off, 24 volt	1
C2000	15-49		11031764	Coil kit, 24 volt	1

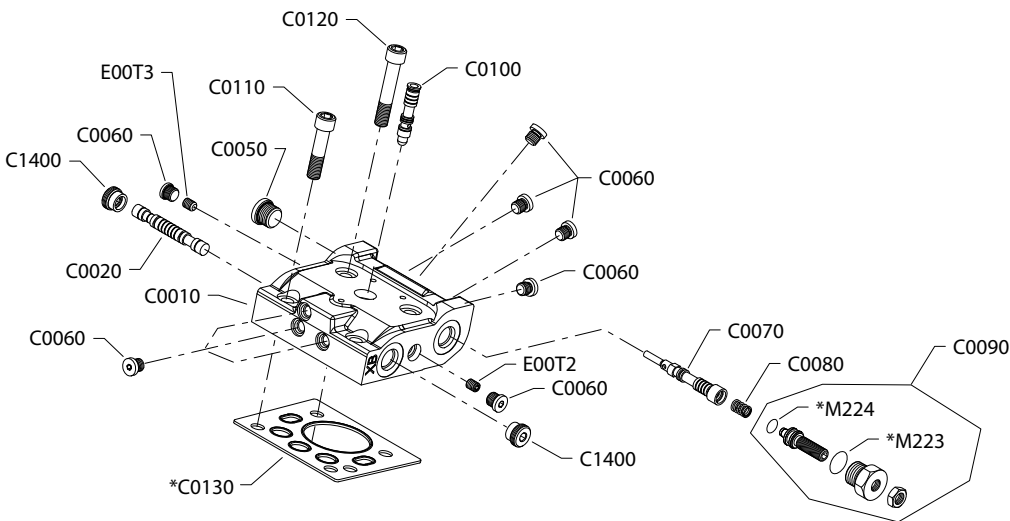
**Servo pressure supply**

**H1B servo pressure KA, KH**

*KA configuration*



*KH configuration*



\* Included in overhaul seal kit Q210

### Servo pressure supply

Order code: KA

Item	Date Begin		Part Number	Part Name	Qty. per Model/Kit
C0010	15-49		11026749	Control housing, proportional, PCOR	1
C0025	15-49		11000893	Shuttle valve assembly	1
C0050	15-49		140644	Plug assembly (SAE)	2
C0060	15-49		11040532	Plug assembly	8
C0070	15-49		11026751	Spool	1
C0080	15-49		11160236	Spring	1
C0090	15-49		509360	Adjuster	1
C100	15-49		11146871	Spool	1
C0110	15-49		710855	Screw, M8 x 35	2
C0120	15-49		746644 (9007314-0810)	Screw, M8 x 45	2
C0130	15-49		149040	Control seal	1
M223	15-49		085043 (9004201-3700)	O-ring	1
M224	15-49		11197086	O-ring	1

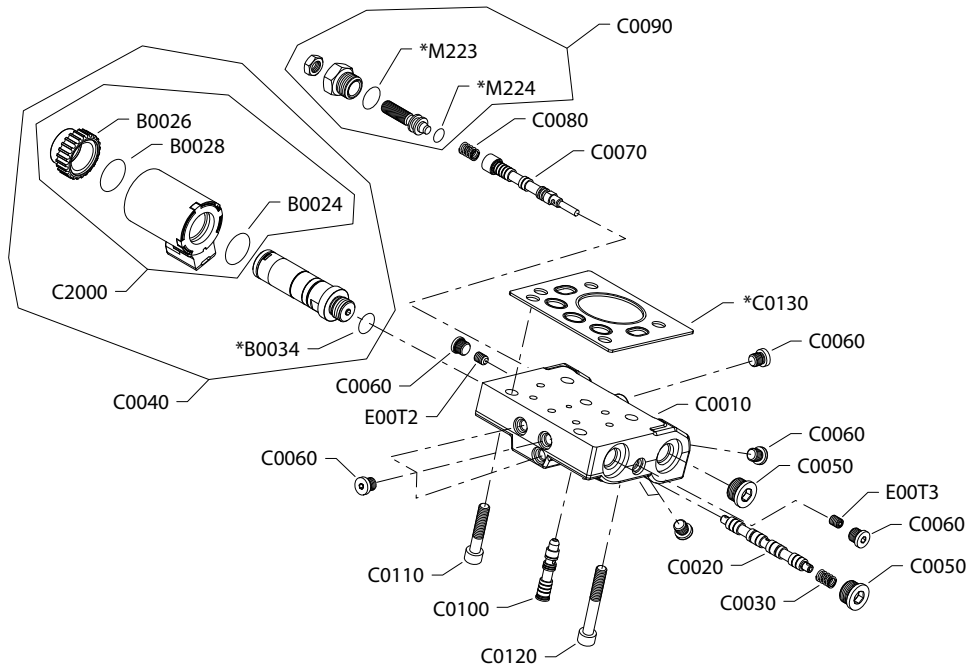
Order code: KH

C0010	15-49		11161283	Control housing, proportional, PCOR	1
C0020	15-49		11151818	Spool	1
C0050	15-49		140644	Plug assembly	1
C0060	15-49		11040532	Plug assembly	9
C0070	15-49		11026751	Spool	1
C0080	15-49		11160236	Spring	1
C0090	15-49		509360	Adjuster	1
C100	15-49		11146871	Spool	1
C0110	15-49		710855	Screw, M8 x 35	2
C0120	15-49		746644 (9007314-0810)	Screw, M8 x 45	2
C0130	15-49		149040	Control seal	1
C1400	15-49		11151817	Limiter plug	2
M223	15-49		085043 (9004201-3700)	O-ring	1
M224	15-49		11197086	O-ring	1

**Servo pressure supply**

**H1B servo pressure M1, M2**

*M1 and M2 configuration*



\* Included in overhaul seal kit Q210

### Servo pressure supply

Order code: M1 and M2 common parts

Item	Date Begin	Date End	Part Number	Part Name	Qty. per Model/Kit
B0024	15-49		11031608	O-ring	1
B0026	15-49		11027046	Coil nut	1
B0028	15-49		063172	O-ring	1
B0034	15-49		085043 (9004201-3700)	O-ring	1
C0010	15-49		11028958	Control housing, proportional, PCOR	1
C0020	15-49		11026792	Spool	1
C0030	15-49		11160236	Spring	1
C0050	15-49		140644	Plug assembly (SAE)	2
C0060	15-49		11040532	Plug assembly	9
C0070	15-49		11028957	Spool	1
C0080	15-49		11160236	Spring	1
C0090	15-49		509360	Adjuster	1
C0100	15-49		11146871	Spool	1
C0110	15-49		710855	Screw, M8 x 35	2
C0120	15-49		746644 (9007314-0810)	Screw, M8 x 45	2
C0130	15-49		149040	Control seal	1
M223	15-49		085043 (9004201-3700)	O-ring	1
M224	15-49		11197086	O-ring	1

Order code: M1

C0040	15-49		11013615	Solenoid, on/off, 12 volt	1
C2000	15-49		11031763	Coil kit, 12 volt	1

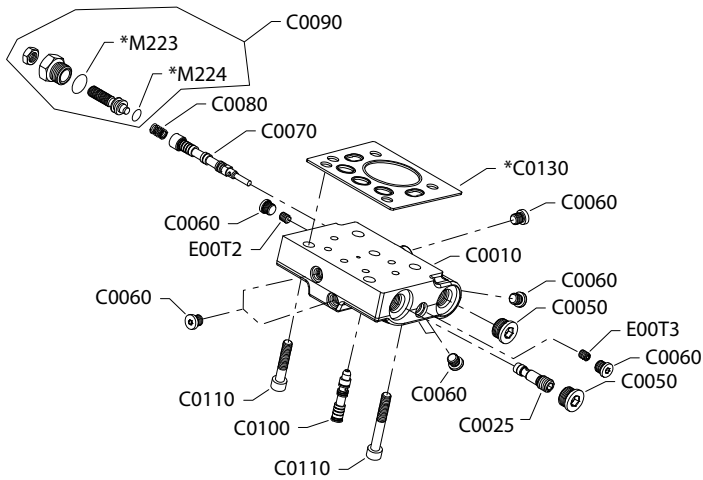
Order code: M2

C0040	15-49		11013616	Solenoid, on/off, 24 volt	1
C2000	15-49		11031764	Coil kit, 24 volt	1

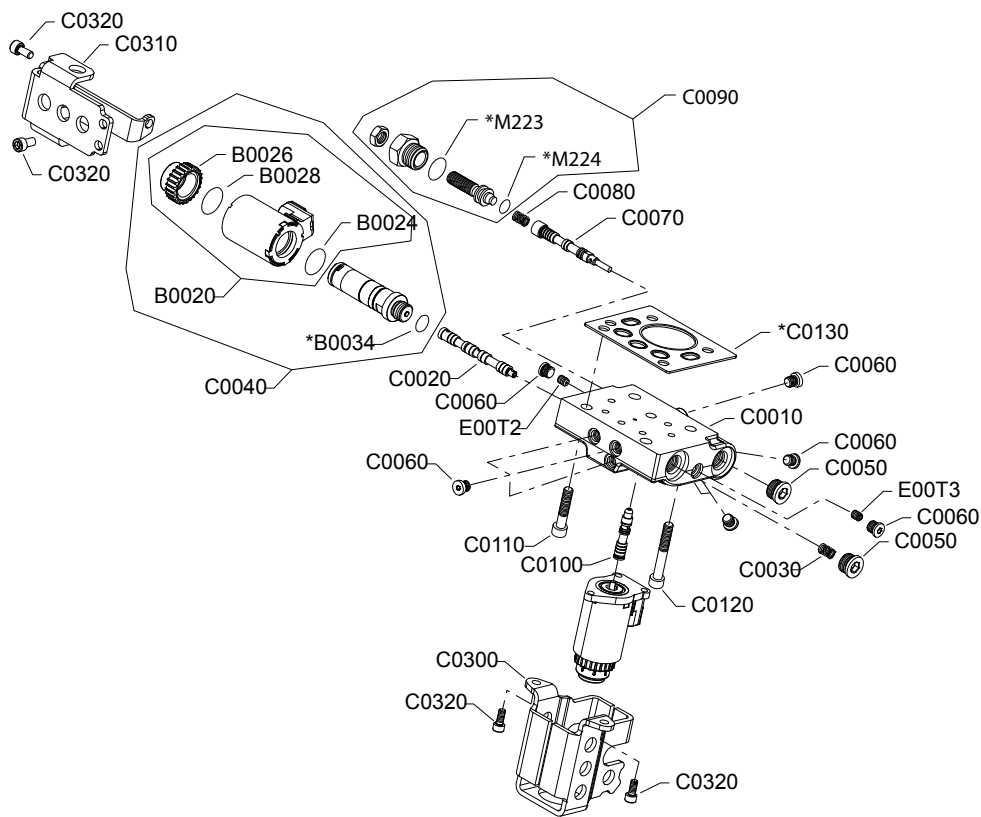
**Servo pressure supply**

**H1B servo pressure MA, MF**

*MA configuration*



*MF configuration*



\* Included in overhaul seal kit Q210

### Servo pressure supply

Order code: MA

Item	Date Begin	Date End	Part Number	Part Name	Qty. per Model/Kit
C0010	15-49		11028959	Control housing, proportional, PCOR	1
C0025	15-49		11000893	Shuttle valve assembly	1
C0050	15-49		140644	Plug assembly (SAE)	2
C0060	15-49		11040532	Plug assembly	8
C0070	15-49		11028957	Spool	1
C0080	15-49		11160236	Spring	1
C0090	15-49		509360	Adjuster	1
C0100	15-49		11146871	Spool	1
C0110	15-49		710855	Screw, M8 x 35	2
C0120	15-49		746644 (9007314-0810)	Screw, M8 x 45	2
C0130	15-49		149040	Control seal	1
M223	15-49		085043 (9004201-3700)	O-ring	1
M224	15-49		11197086	O-ring	1

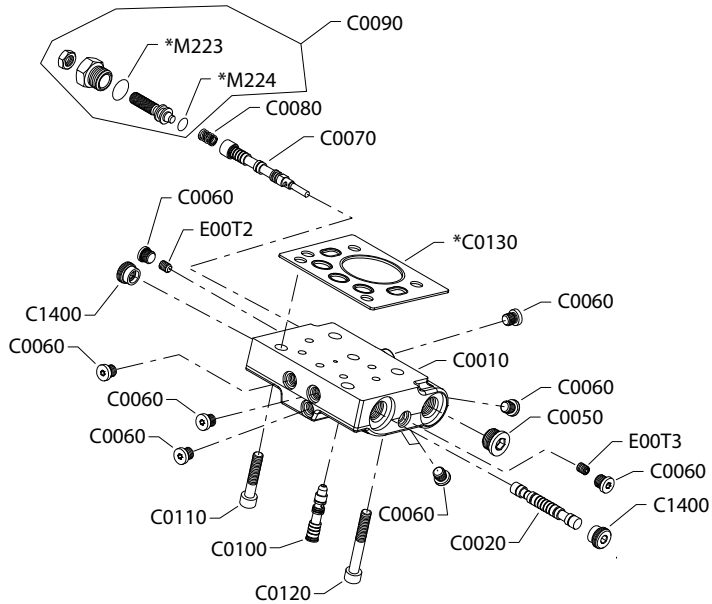
Order code: MF

B0020	15-49		11031763	Coil kit, 12 volt	1
B0024	15-49		11031608	O-ring	1
B0026	15-49		11027046	Coil nut	1
B0028	15-49		063172	O-ring	1
B0034	15-49		085043 (9004201-3700)	O-ring	1
C0010	15-49		11123556	Control housing, proportional, PCOR	1
C0020	15-49		11101616	Spool	1
C0030	15-49		11160236	Spring	1
C0040	15-49		11013615	Solenoid, on/off, 12 volt	1
C0050	15-49		140644	Plug assembly	2
C0060	15-49		11040532	Plug assembly	9
C0070	15-49		11028957	Spool	1
C0080	15-49		11160263	Spring	1
C0090	15-49		509360	Adjuster	1
C0100	15-49		11146871	Spool	1
C0110	15-49		710855	Screw, M8 x 35	2
C0120	15-49		746644 (9007314-0810)	Screw, M8 x 45	2
C0130	15-49		149040	Control seal	1
C0300	15-49		11086158	Protective cover	1
C0310	15-49		11086159	Protective cover	1
C0320	15-49		395822	Screw, M6 x 12mm	4
M223	15-49		085043 (9004201-3700)	O-ring	1
M224	15-49		11197086	O-ring	1

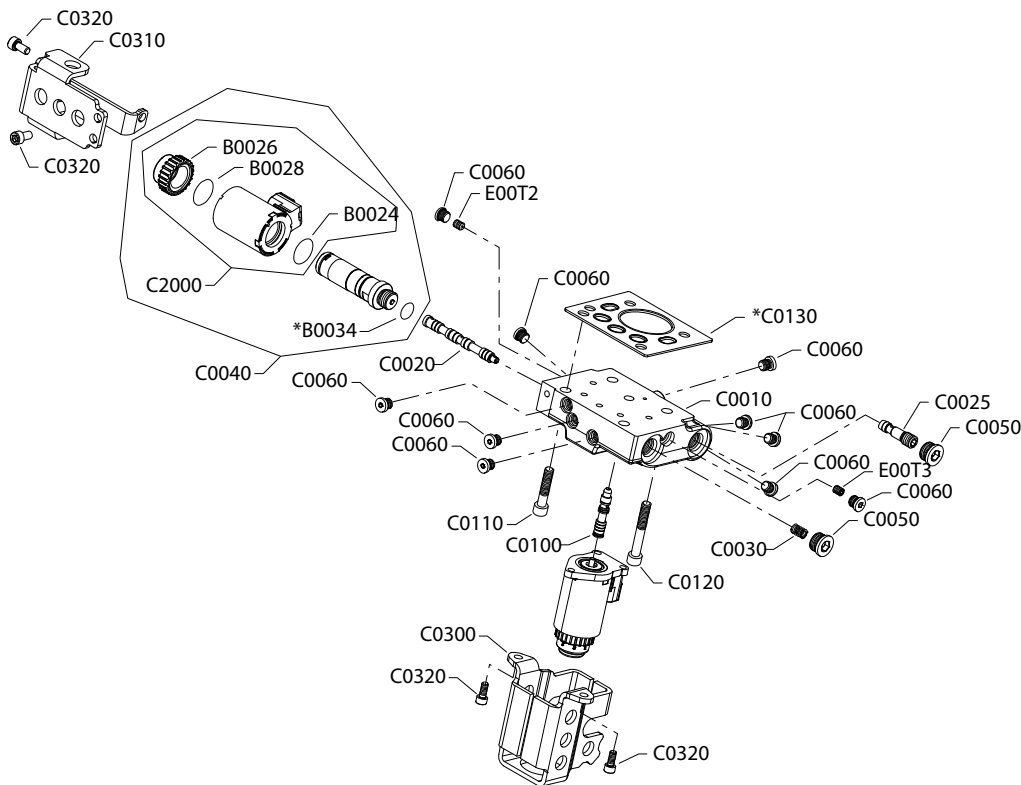
**Servo pressure supply**

**H1B servo pressure MH, MW**

*MH configuration*



*MW configuration*



\* Included in overhaul seal kit Q210



### Servo pressure supply

Order code: MH

Item	Date Begin	Date End	Part Number	Part Name	Qty. per Model/Kit
C0010	15-49		11151816	Control housing, proportional, PCOR	1
C0020	15-49		11151818	Spool	1
C0050	15-49		140644	Plug assembly	1
C0060	15-49		11040532	Plug assembly	9
C0070	15-49		11028957	Spool	1
C0080	15-49		11160236	Spring	1
C0090	15-49		509360	Adjuster	1
C0100	15-49		11146871	Spool	1
C0110	15-49		710855	Screw, M8 x 35	2
C0120	15-49		746644 (9007314-0810)	Screw, M8 x 45	2
C0130	15-49		149040	Control seal	1
C1400	15-49		11151817	Limiter plug	2
M223	15-49		085043 (9004201-3700)	O-ring	1
M224	15-49		11197086	O-ring	1

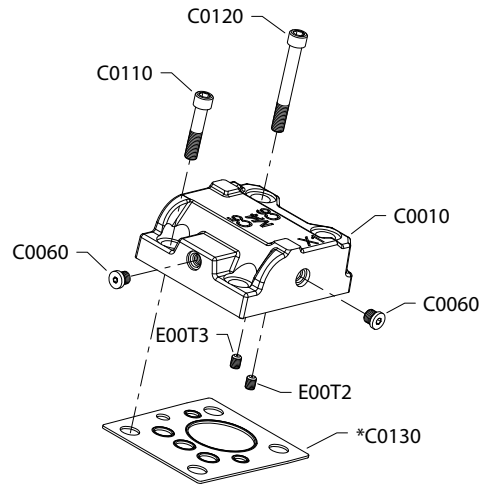
Order code: MW

B0024	15-49		11031608	O-ring	1
B0026	15-49		11027046	Coil nut	1
B0028	15-49		063172	O-ring	1
B0034	15-49		085043 (9004201-3700)	O-ring	1
C0010	15-49		11101720	Control housing, proportional, PCOR	1
C0020	15-49		11101616	Spool	1
C0025	15-49		11000893	Shuttle valve assembly	1
C0030	15-49		11160236	Spring	1
C0040	15-49		11013615	Solenoid, on/off, 12 volt	1
C0050	15-49		140644	Plug assembly	2
C0060	15-49		11146871	Plug assembly	10
C0100	15-49		1146871	Spool	1
C0110	15-49		710855	Screw, M8 x 35	2
C0120	15-49		746644 (9007314-0810)	Screw, M8 x 45	2
C0130	15-49		149040	Control seal	1
C0300	15-49		11086158	Protective cover	1
C0310	15-49		11086159	Protective cover	1
C0320	15-49		395822	Screw, M6 x 12	4
C2000	15-49		11031763	Coil kit, 12 volt	1

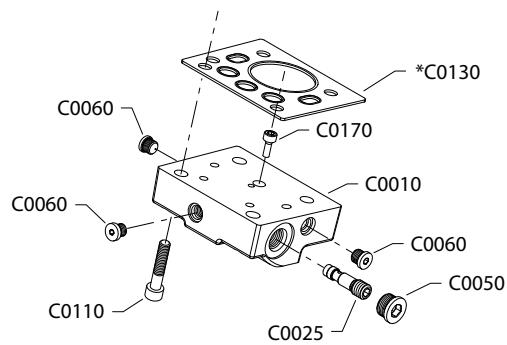
**Servo pressure supply**

**H1B servo pressure NP, NR, NT**

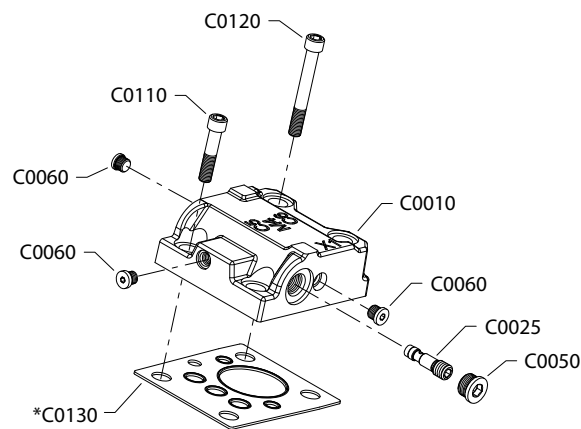
*NP configuration*



*NR configuration*



*NT configuration*



\* Included in overhaul seal kit Q210

**Servo pressure supply**

Order code: NP

Item	Date Begin	Date End	Part Number	Part Name	Qty. per Model/Kit
C0010	15-49		11086116	Control housing, 2-position	1
C0050	15-49		140644	Plug assembly	1
C0060	15-49		11040532	Plug assembly	2
C0110	15-49		737866 (9007314-1207)	Screw, M12 x 30	2
C0120	15-49		283325 (9007314-1211)	Screw, M12 x 50	2
C0130	15-49		11016168	Control seal	1

Order code: NR

C0010	15-49		11123843	Control housing, proportional	1
C0025	15-49		11000893	Shuttle valve	1
C0050	15-49		140644	Plug assembly	1
C0060	15-49		11040532	Plug assembly	3
C0110	15-49		710855	Screw, M8 x 35	2
C0130	15-49		149040	Control seal	1
C0170	15-49		716860	Screw, M5 x 12	1

Order code: NT

C0010	15-49		11123847	Control housing, 2-position	1
C0025	15-49		11000893	Shuttle valve	1
C0050	15-49		140644	Plug assembly	1
C0060	15-49		11040532	Plug assembly	3
C0110	15-49		737866 (9007314-1207)	Screw, M12 x 30	2
C0120	15-49		283325 (9007314-1211)	Screw, M12 x 50	2
C0130	15-49		11016168	Control seal	1

**Orifice**

**H1B orifice A, B, C, D**

*A-D orifice plugs*



---

[See servo pressure supply drawing for orifice location.](#)

---

**Orifice**

*Order code: A*

Item	Date Begin	Date End	Part Number	Part Name	Qty. per Model/Kit
E00T2	15-49		516598	Orifice plug, 1.2 mm	1
E00T3	15-49		516598	Orifice plug, 1.2 mm	1

*Order code: B*

E00T2	15-49		578542	Orifice plug, 0.8 mm	1
E00T3	15-49		578542	Orifice plug, 0.8 mm	1

*Order code: C*

E00T2	15-49		511825	Orifice plug, 0.6 mm	1
E00T3	15-49		511825	Orifice plug, 0.6 mm	1

*Order code: D*

E00T2	15-49		679316	Orifice plug, 0.5 mm	1
E00T3	15-49		679316	Orifice plug, 0.5 mm	1

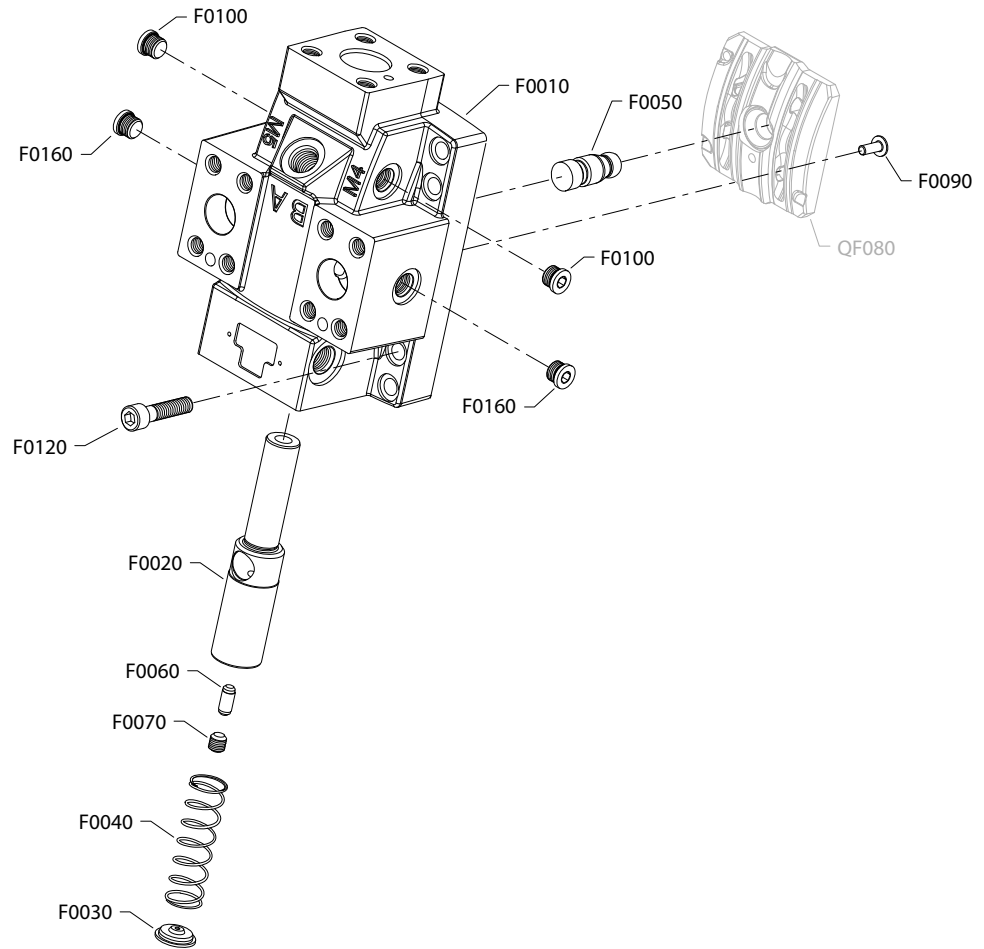
*Order code: N*

No parts					
----------	--	--	--	--	--

End cap

H1B 210cc end cap PA

Parts configuration



\* Included in overhaul seal kit Q210

This option is available in SAE and metric configurations. Please order accordingly.

## End cap

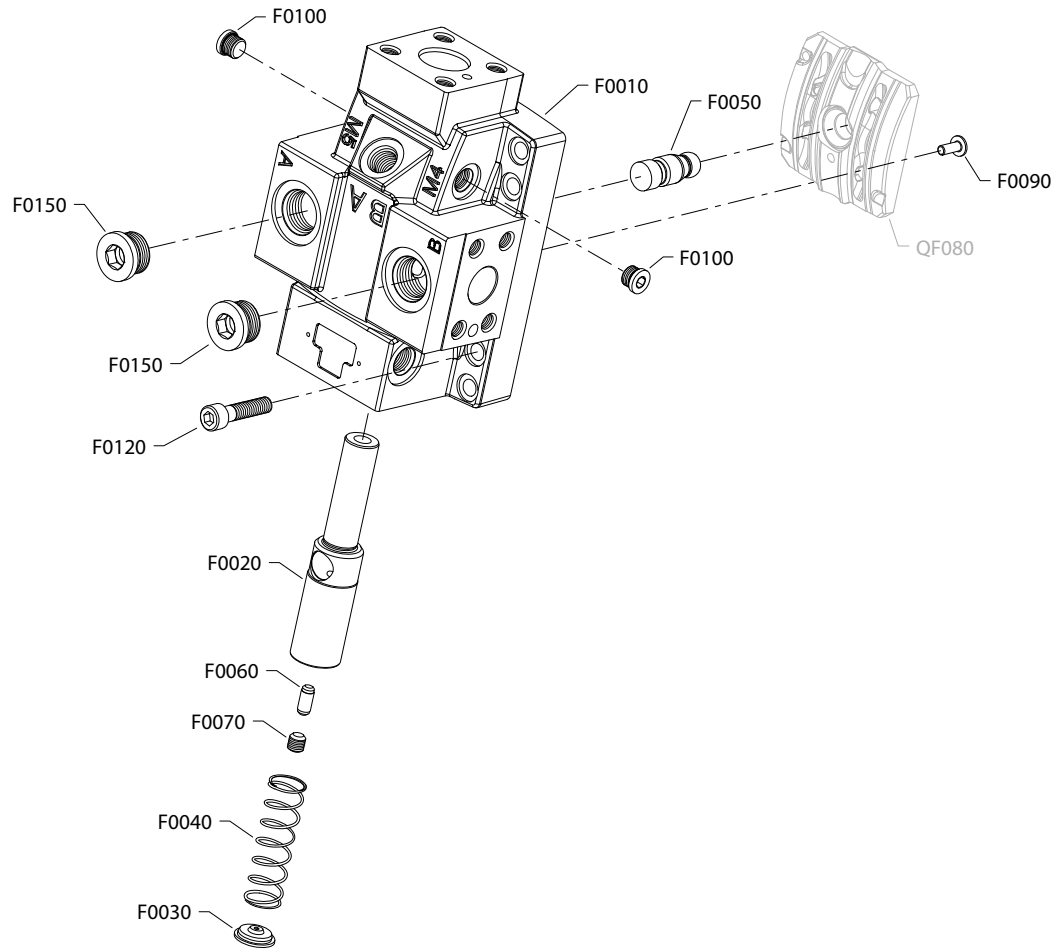
Order code: PA

Item	Date Begin	Date End	Part Number	Part Name	Qty. per Model/Kit
F0010	15-49		11149879	End cap, axial ports (SAE)	1
F0010	15-49		11171560	End cap, axial ports (metric)	1
F0020	15-49		11149628	Servo piston	1
F0030	15-49		11149626	Spring guide	1
F0040	15-49		11150689	Spring	1
F0050	15-49		11149627	Setting lug	1
F0060	15-49		11008915	Setting lug pin	1
F0070	15-49		042465	Set screw, M10 x 10	1
F0090	15-49		11014186	Button head screw	1
F0100	15-49		140644	Plug assembly (SAE)	2
F0100	15-49		11178808	Plug assembly (metric)	2
F0120	15-49		703900	Screw, M16 x 70	8
F0160	15-49		140644	Plug assembly (SAE)	2
F0160	15-49		11178808	Plug assembly (metric)	2
QF080	15-49	18-16	11149568	Valve segment assembly ( <a href="#">SB-2018-028</a> on page 95)	1

**End cap**

**H1B 210cc end cap PB**

*Parts configuration*



\* Included in overhaul seal kit Q210



**End cap**

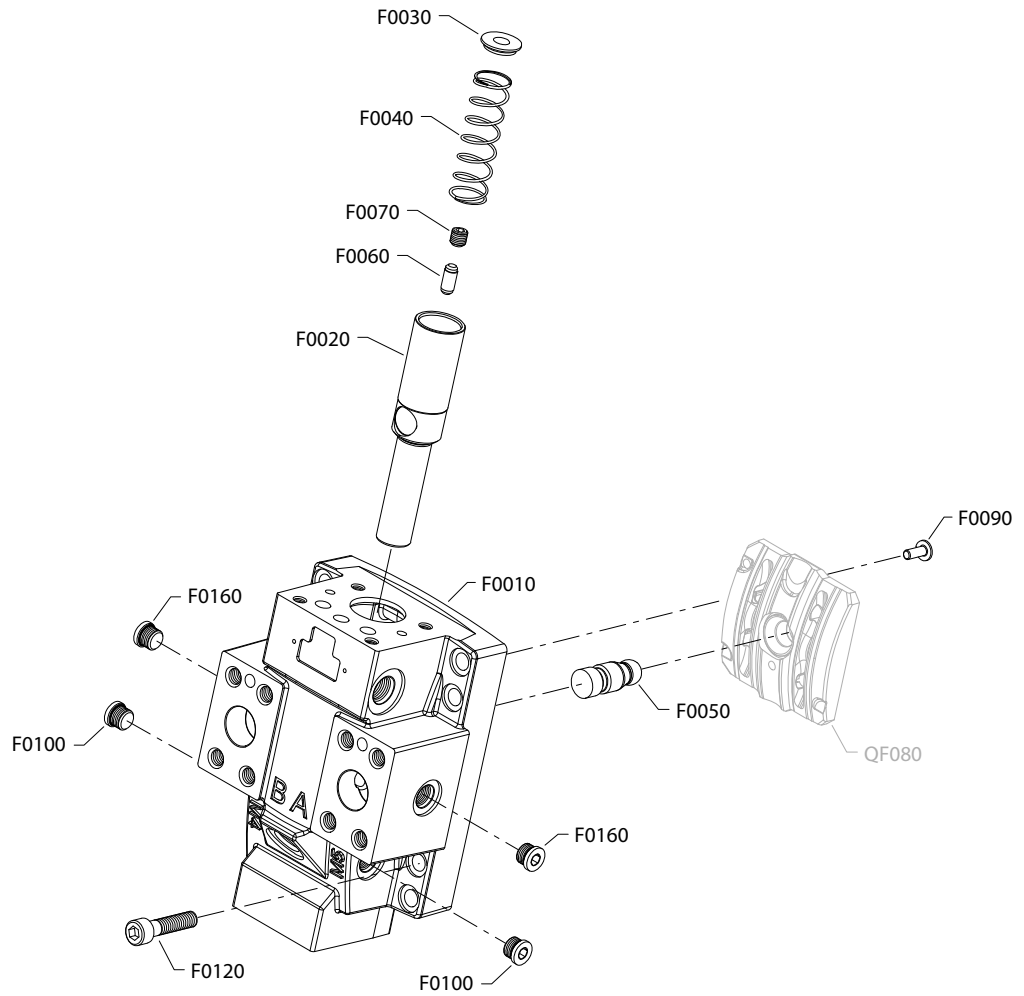
Order code: PB

Item	Date Begin	Date End	Part Number	Part Name	Qty. per Model/Kit
F0010	15-49		11149880	End cap, side ports	1
F0020	15-49		11149628	Servo piston	1
F0030	15-49		11149626	Spring guide	1
F0040	15-49		11150689	Spring	1
F0050	15-49		11149627	Setting lug	1
F0060	15-49		11008915	Setting lug pin	1
F0070	15-49		042465	Set screw, M10 x 10	1
F0090	15-49		11014186	Button head screw	1
F0100	15-49		140644	Plug assembly	2
F0120	15-49		703900	Screw, M16 x 70	8
F0150	15-49		664524 (9005110-9000)	Plug assembly	2
QF080	15-49	18-16	11149568	Valve segment assembly ( <a href="#">SB-2018-028</a> on page 95)	1

**End cap**

**H1B 210cc end cap RA**

*Parts configuration*



\* Included in overhaul seal kit Q210

**End cap**

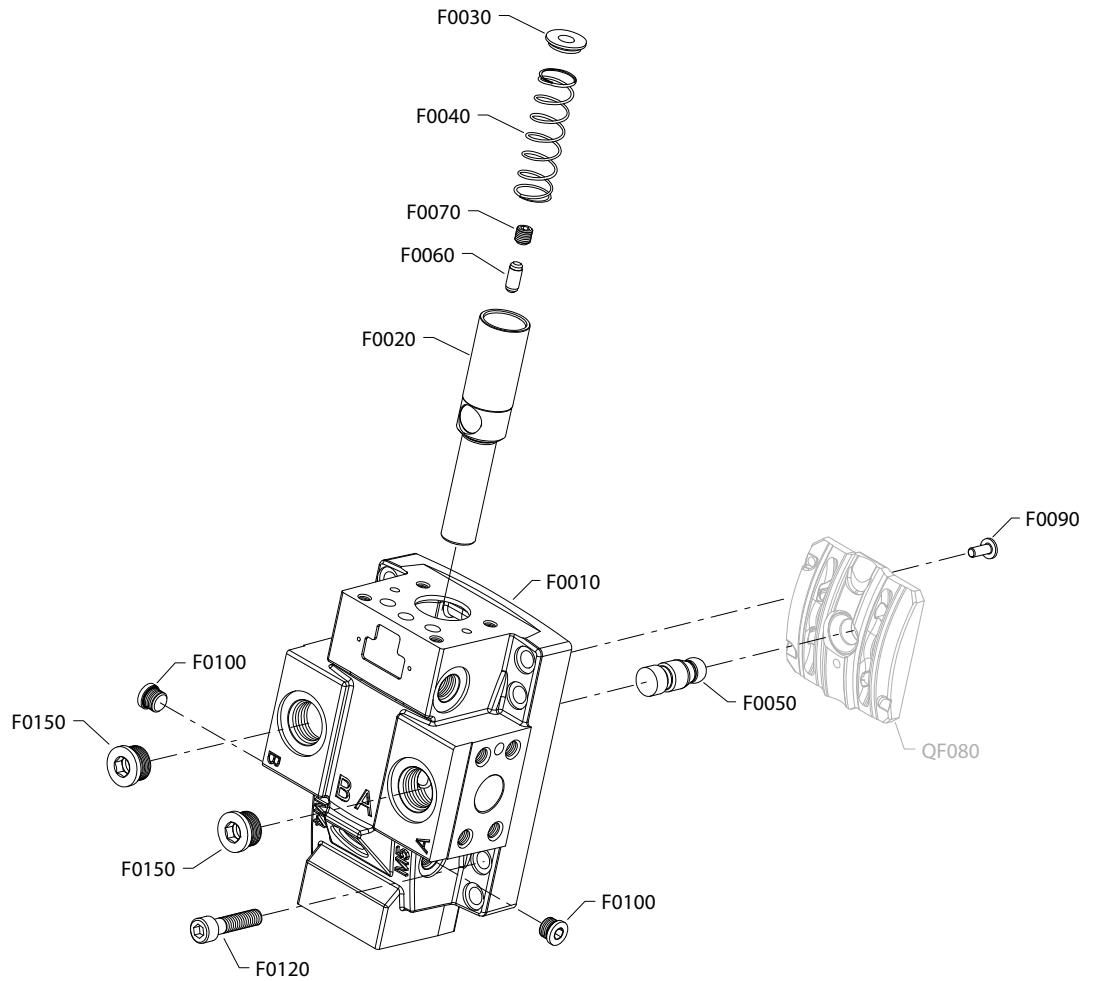
Order code: RA

Item	Date Begin	Date End	Part Number	Part Name	Qty. per Model/Kit
F0010	15-49		11149879	End cap, axial ports	1
F0020	15-49		11149628	Servo piston	1
F0030	15-49		11149626	Spring guide	1
F0040	15-49		11150689	Spring	1
F0050	15-49		11149627	Setting lug	1
F0060	15-49		11008915	Setting lug pin	1
F0070	15-49		042465	Set screw, M10 x 10	1
F0090	15-49		11014186	Button head screw	1
F0100	15-49		140644	Plug assembly	2
F0120	15-49		703900	Screw, M16 x 70	8
F0160	15-49		140644	Plug assembly	2
QF080	15-49	18-16	11149568	Valve segment assembly ( <a href="#">SB-2018-028</a> on page 95)	1

**End cap**

**H1B 210cc end cap RB**

*Parts configuration*



\* Included in overhaul seal kit Q210

**End cap**

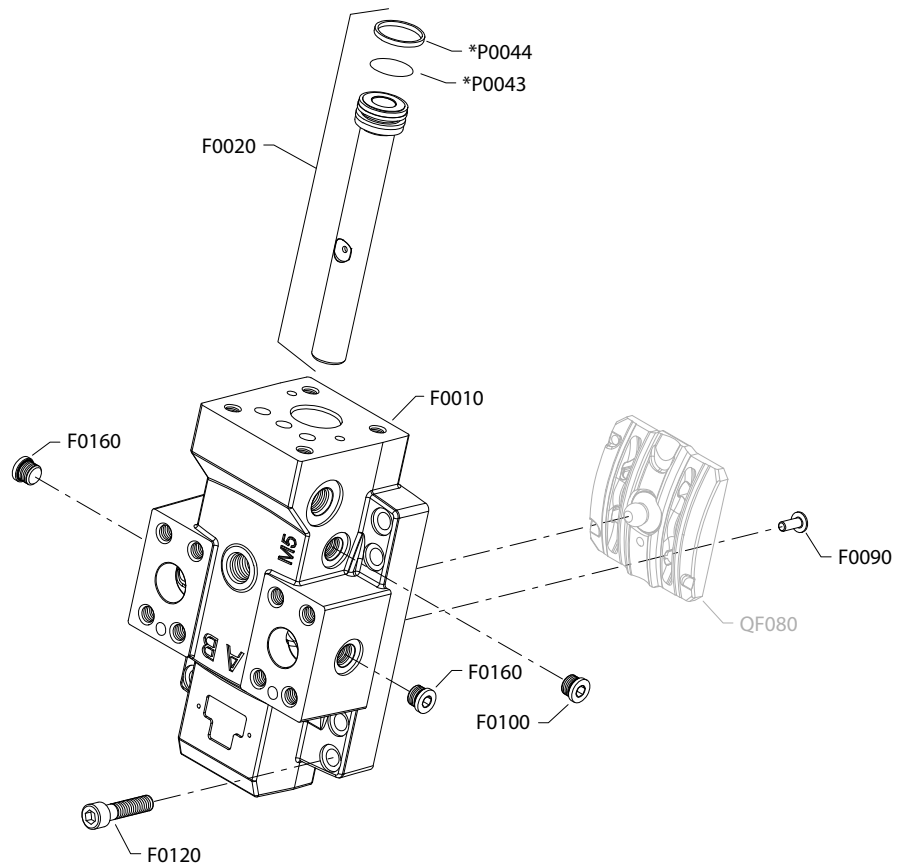
Order code: RB

Item	Date Begin	Date End	Part Number	Part Name	Qty. per Model/Kit
F0010	15-49		11149880	End cap, side ports	1
F0020	15-49		11149628	Servo piston	1
F0030	15-49		11149626	Spring guide	1
F0040	15-49		11150689	Spring	1
F0050	15-49		11149627	Setting lug	1
F0060	15-49		11008915	Setting lug pin	1
F0070	15-49		042465	Set screw, M10 x 10	1
F0090	15-49		11014186	Button head screw	1
F0100	15-49		140644	Plug assembly	2
F0120	15-49		703900	Screw, M16 x 70	8
F0150	15-49		664524 (9005110-9000)	Plug assembly	2
QF080	15-49	18-16	11149568	Valve segment assembly ( <a href="#">SB-2018-028</a> on page 95)	1

**End cap**

**H1B 210cc end cap TA**

*Parts configuration*



\* Included in overhaul seal kit Q210

**End cap**

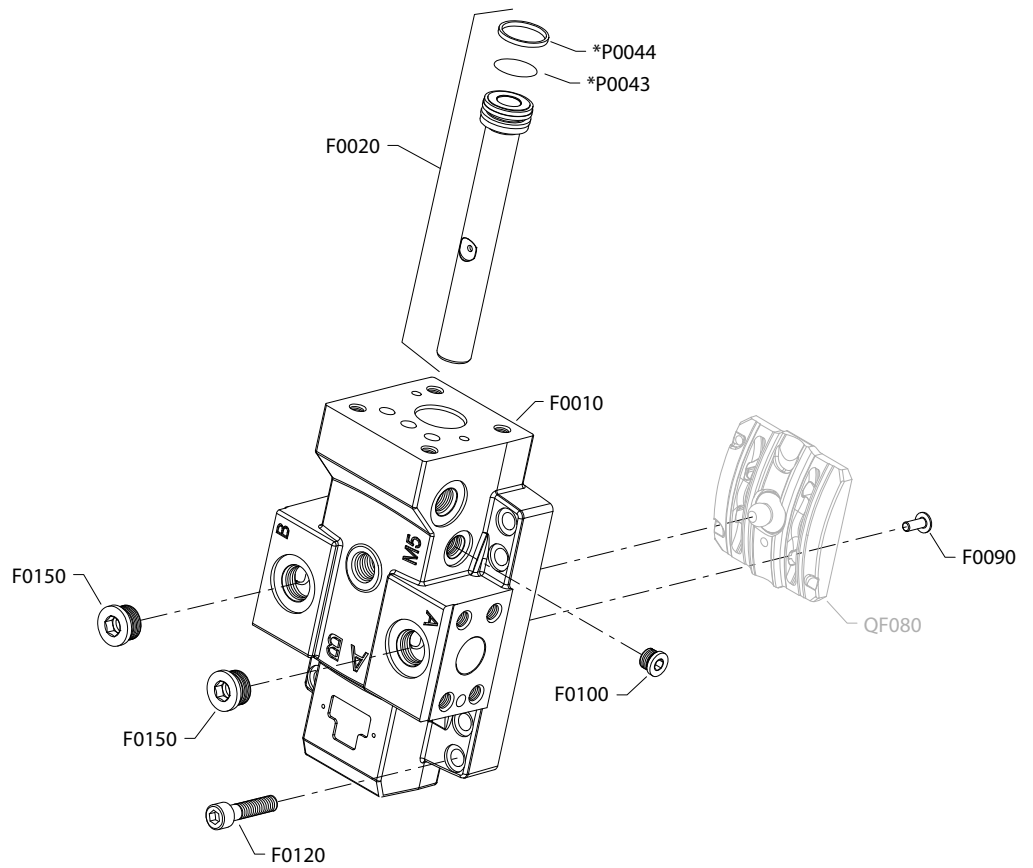
Order code: TA

Item	Date Begin	Date End	Part Number	Part Name	Qty. per Model/Kit
F0010	15-49		11153159	End cap, axial ports	1
F0020	15-49		11153150	Servo piston assembly	1
F0090	15-49		11014186	Button head screw	1
F0100	15-49		140644	Plug assembly	2
F0120	15-49		703900	Screw, M16 x 70	8
F0160	15-49		140644	Plug assembly	2
P0043	15-49		11063016	O-ring	1
P0044	15-49		11063013	Piston ring	1
QF080	15-49	18-16	11149568	Valve segment assembly ( <a href="#">SB-2018-028</a> on page 95)	1

**End cap**

**H1B 210cc end cap TB**

*Parts configuration*



\* Included in overhaul seal kit Q210



**End cap**

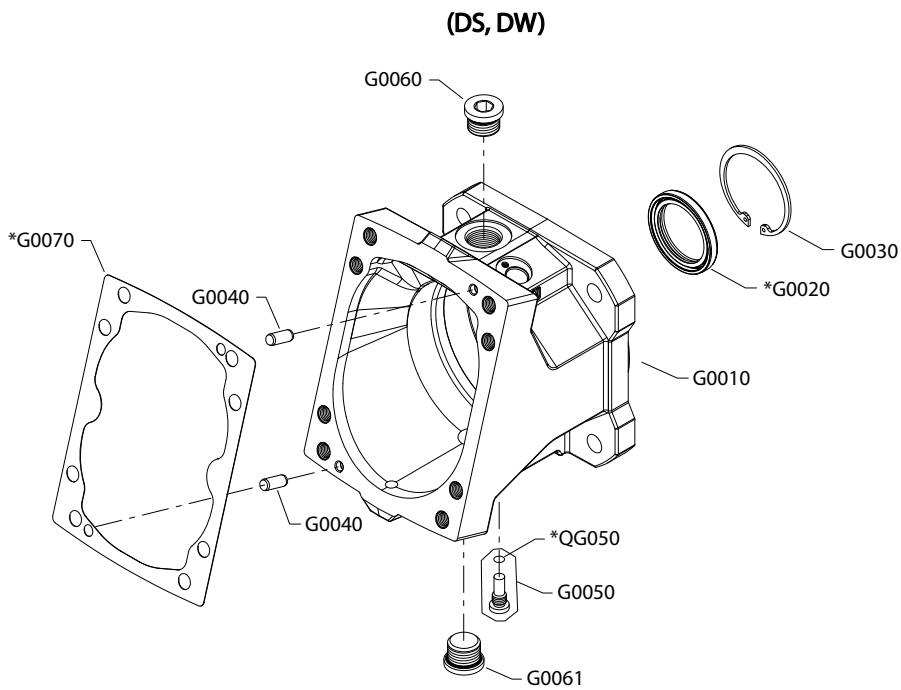
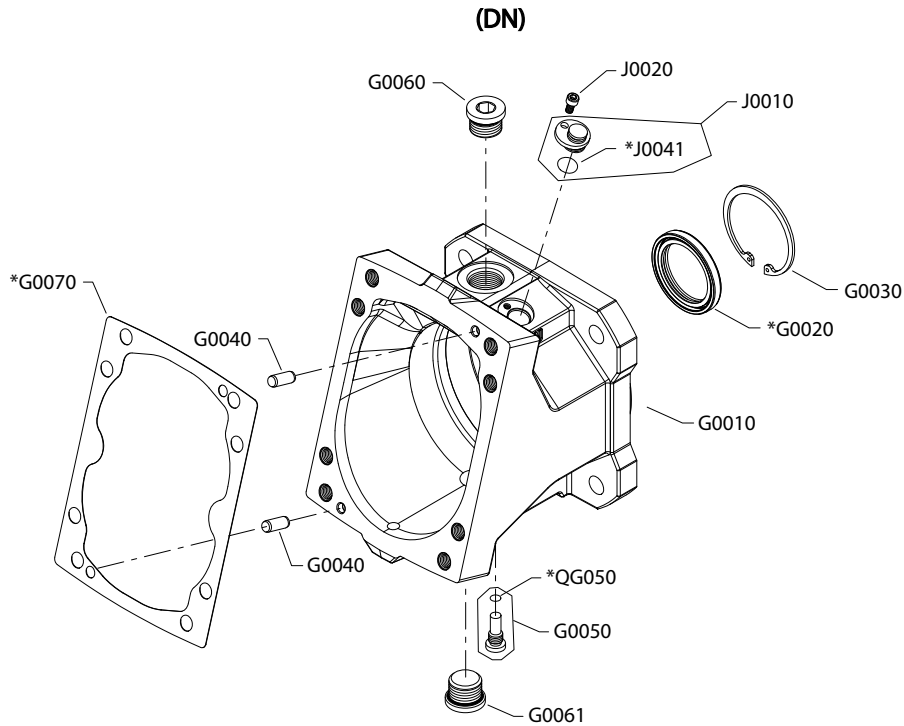
Order code: TB

Item	Date Begin	Date End	Part Number	Part Name	Qty. per Model/Kit
F0010	15-49		11153167	End cap, side ports	1
F0020	15-49		11153150	Servo piston assembly	1
F0090	15-49		11014186	Button head screw	1
F0100	15-49		140644	Plug assembly	2
F0120	15-49		703900	Screw, M16 x 70	8
F0150	15-49		664524 (9005110-9000)	Plug assembly	2
P0043	15-49		11063016	O-ring	1
P0044	15-49		11063013	Piston ring	1
QF080	15-49	18-16	11149568	Valve segment assembly ( <a href="#">SB-2018-028</a> on page 95)	1

**Flange/housing**

**H1B 210cc housing DN, DS, DW**

Parts configuration



\* Included in overhaul seal kit Q210

### Flange/housing

Order code: DN

Item	Date Begin	Date End	Part Number	Part Name	Qty. per Model/Kit
G0010	15-49		11151611	Housing, DIN flange with speed sensor port	1
G0020	15-49		519022	Lip seal	1
G0030	15-49		392423	Retaining ring	1
G0040	15-49		11007677	Pin	2
G0050	15-49		11063948	Shaft locating plug assembly	1
G0060	15-49		320002 (9005110-9200)	Plug assembly	1
G0061	15-49		320002 (9005110-9200)	Plug assembly	1
G0070	15-49		11150696	Gasket	1
J0010	15-49		11013290	PPU plug assembly	1
J0020	15-49		395822 (9007315-0603)	Screw, M6 x 12	1
J0041	15-49		11013397	O-ring	1
QG050	15-49		001123 (9004201-2500)	O-ring	1

Order code: DS

G0010	15-49		11151611	Housing, DIN flange with speed sensor port	1
G0020	15-49		519022	Lip seal	1
G0030	15-49		392423	Retaining ring	1
G0040	15-49		11007677	Pin	2
G0050	15-49		11063948	Shaft locating plug assembly	1
G0060	15-49		320002 (9005110-9200)	Plug assembly	1
G0061	15-49		320002 (9005110-9200)	Plug assembly	1
G0070	15-49		11150696	Gasket	1
QG050	15-49		001123 (9004201-2500)	O-ring	1

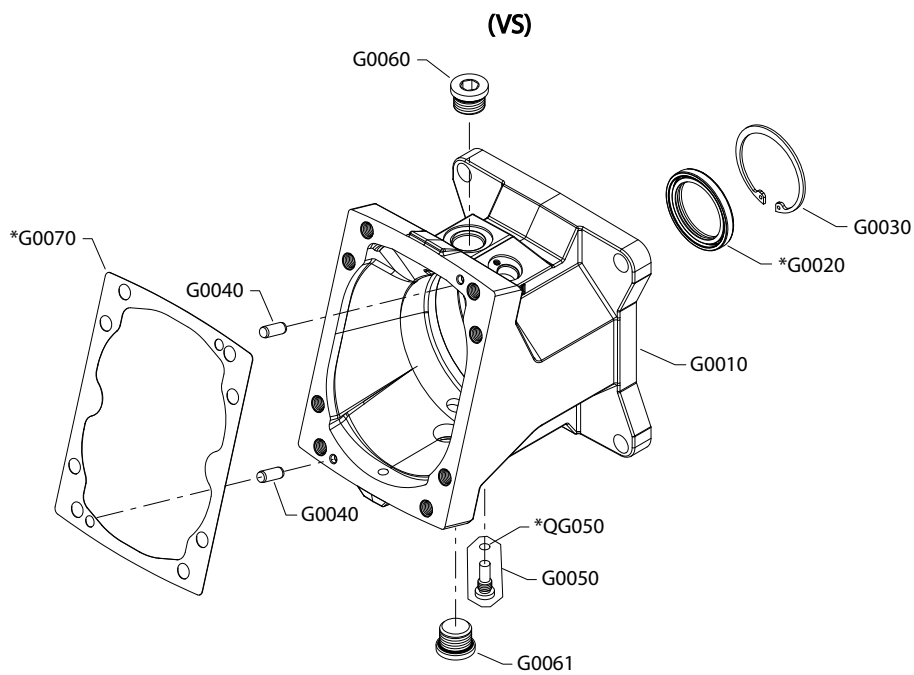
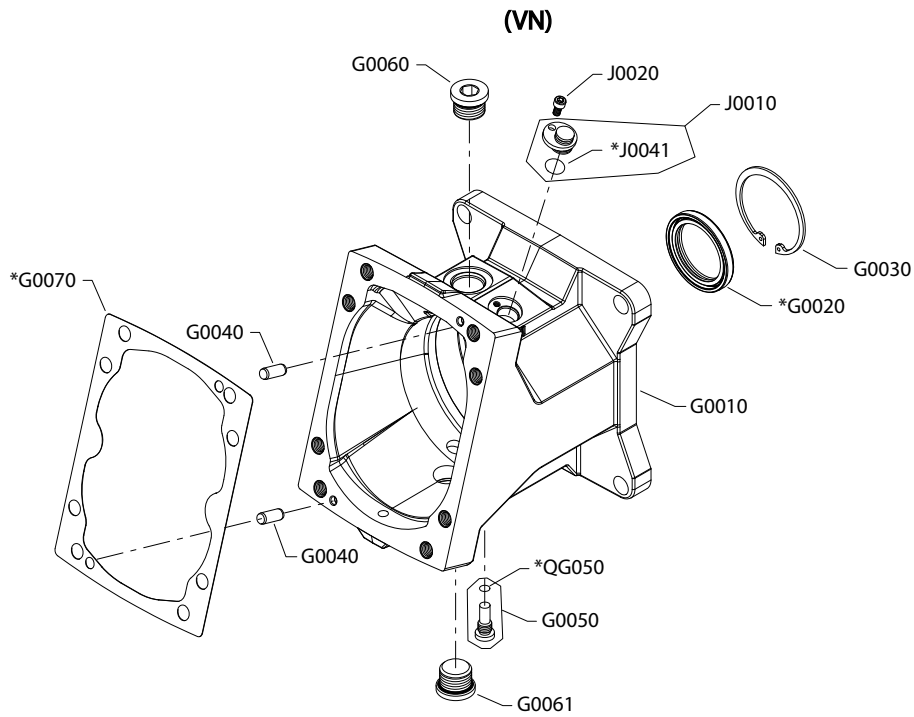
Order code: DW

G0010	15-49		11164979	Housing, DIN D flange with speed sensor port	1
G0020	15-49		519022	Lip seal	1
G0030	15-49		392423	Retaining ring	1
G0040	15-49		11007677	Pin	2
G0050	15-49		11063948	Shaft locating plug assembly	1
G0060	15-49		320002 (9005110-9200)	Plug assembly	1
G0061	15-49		320002 (9005110-9200)	Plug assembly	1
G0070	15-49		11150696	Gasket	1
QG050	15-49		001123 (9004201-2500)	O-ring	1

**Flange/housing**

**H1B 210cc housing VN, VS**

Parts configuration



\* Included in overhaul seal kit Q210

Option VS is available in SAE and metric. Please order accordingly.

## Flange/housing

Order code: VN

Item	Date Begin	Date End	Part Number	Part Name	Qty. per Model/Kit
G0010	15-49		11150692	Housing, SAE flange with speed sensor port	1
G0020	15-49		519022	Lip seal	1
G0030	15-49		392423	Retaining ring	1
G0040	15-49		11007677	Pin	2
G0050	15-49		11063948	Shaft locating plug assembly	1
G0060	15-49		320002 (9005110-9200)	Plug assembly	1
G0061	15-49		320002 (9005110-9200)	Plug assembly	1
G0070	15-49		11150696	Gasket	1
J0010	15-49		11013290	PPU plug assembly	1
J0020	15-49		395822 (9007315-0603)	Screw, M6 x 12	1
J0041	15-49		11013397	O-ring	1
QG050	15-49		001123 (9004201-2500)	O-ring	1

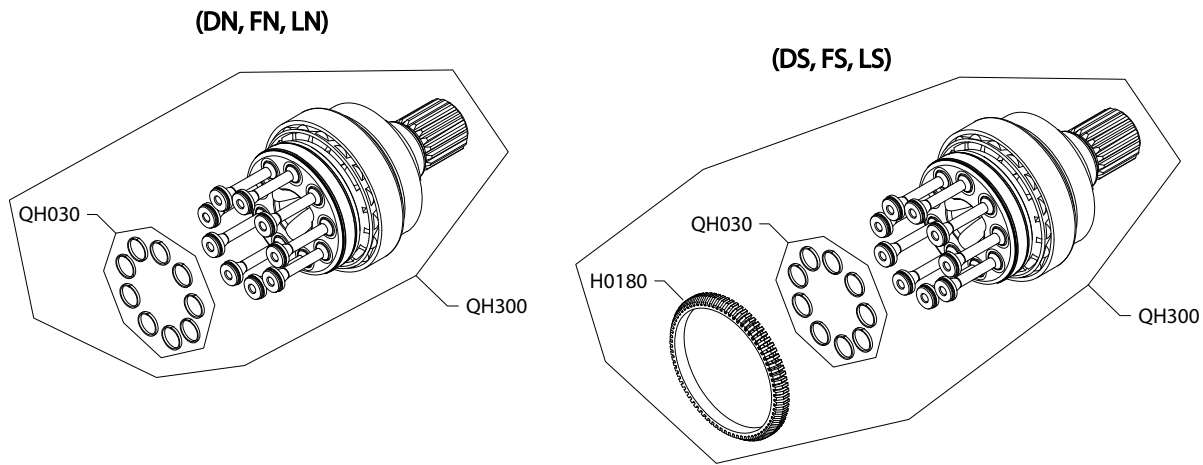
Order code: VS

G0010	15-49		11150692	Housing, SAE flange with speed sensor port (SAE)	1
G0010	15-45		11171561	Housing, SAE flange with speed sensor port (metric)	1
G0020	15-49		519022	Lip seal	1
G0030	15-49		392423	Retaining ring	1
G0040	15-49		11007677	Pin	2
G0050	15-49		11063948	Shaft locating plug assembly	1
G0060	15-49		320002 (9005110-9200)	Plug assembly (SAE)	1
G0060	15-45		11164204	Plug assembly (metric)	1
G0061	15-49		320002 (9005110-9200)	Plug assembly (SAE)	1
G0061	15-45		11164204	Plug assembly (metric)	1
G0070	15-49		11150696	Gasket	1
QG050	15-49		001123 (9004201-2500)	O-ring	1

Shaft

H1B 210cc shaft DN-LS

Parts configuration



## Shaft

Order code: DN

Item	Date Begin	Date End	Part Number	Part Name	Qty. per Model/Kit
QH030	15-49		11174677	Piston ring kit	1
QH300	15-49		11154955	Shaft assembly, 27 tooth, 16/32 pitch	1

Order code: DS

H0180	15-49		11151088	Speed ring	1
QH030	15-49		11174677	Piston ring kit	1
QH300	15-49		11154956	Shaft assembly, 27 tooth, 16/32 pitch, speed ring	1

Order code: FN

QH030	15-49		11174677	Piston ring kit	1
QH300	15-49		11154957	Shaft assembly, 15 tooth	1

Order code: FS

H0180	15-49		11151088	Speed ring	1
QH030	15-49		11174677	Piston ring kit	1
QH300	15-49		11154958	Shaft assembly, 15 tooth, speed ring	1

Order code: LN

QH030	15-49		11174677	Piston ring kit	1
QH300	15-49		11154959	Shaft assembly, 24 tooth, DIN	1

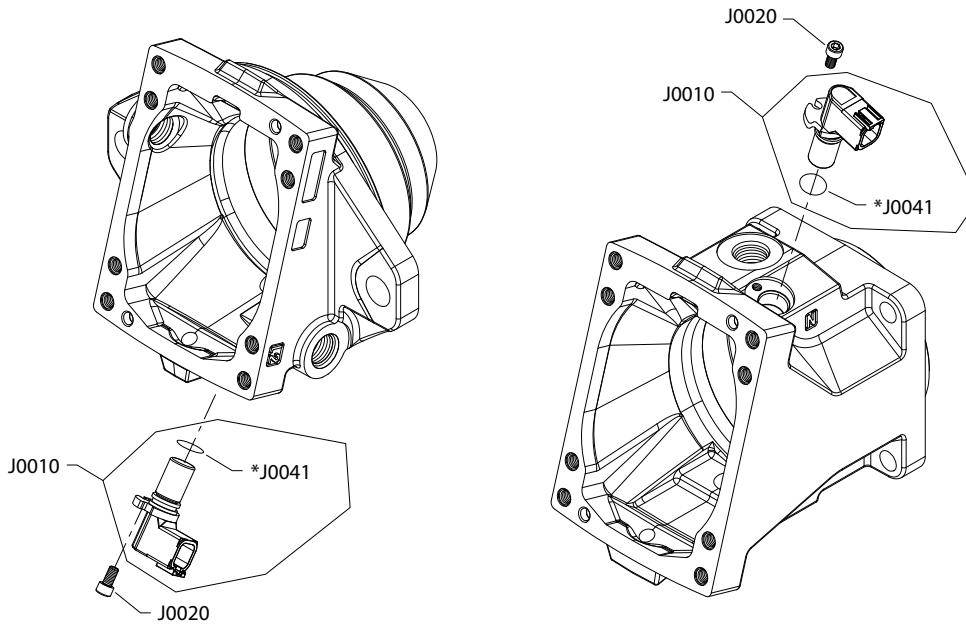
Order code: LS

H0180	15-49		11151088	Speed ring	1
QH030	15-49		11174677	Piston ring kit	1
QH300	15-49		11154960	Shaft assembly, 24 tooth, DIN, speed ring	1

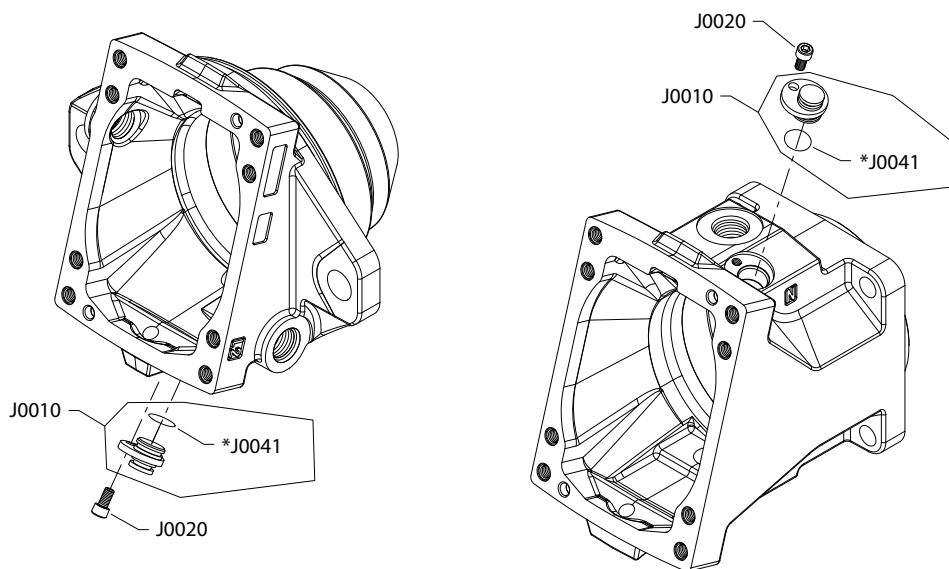
**Speed sensor**

**H1B speed sensor B, C, P, S**

*B, C, S configuration*



*P configuration*



\* Included in base motor seal kit Q210

Generic housings used to show part location only.



### Speed sensor

Order code: B

Item	Date Begin	Date End	Part Number	Part Name	Qty. per Model/Kit
J0010	12-15		11102032	Speed sensor assembly	1
J0020	12-15		395822 (9007315-0603)	Screw, M6 x 12	1
J0041	12-15		11013397	O-ring	1

Order code: C

J0010	15-49		11157520	Speed sensor assembly	1
J0020	15-49		395822 (9007315-0603)	Screw, M6 x 12	1
J0041	15-49		11013397	O-ring	1

Order code: N

No parts					
----------	--	--	--	--	--

Order code: P

J0010	15-49		11013290	Plug assembly	1
J0020	15-49		395822 (9007315-0603)	Screw, M6 x 12	1
J0041	15-49		11013397	O-ring	1

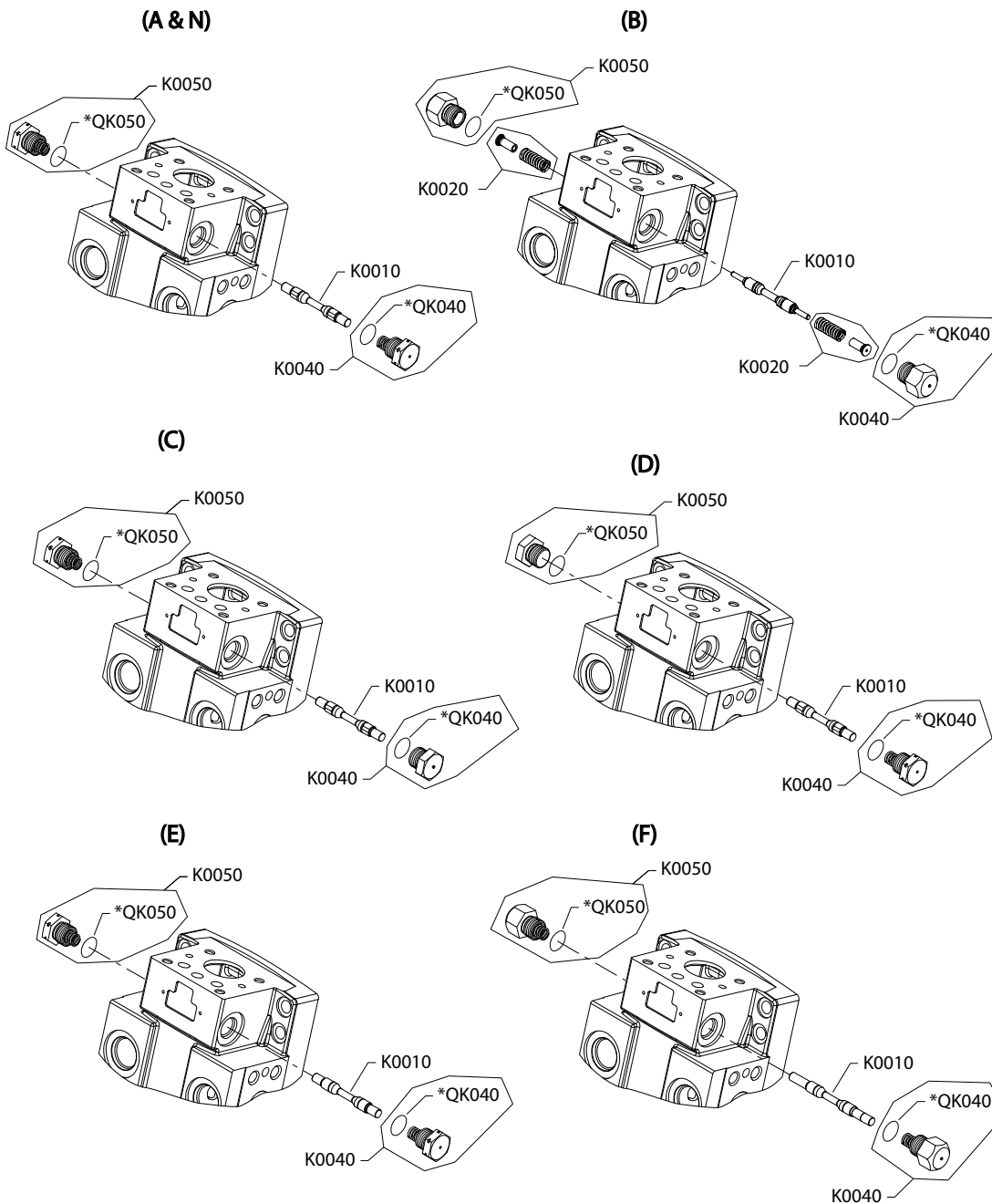
Order code: S

J0010	15-49		149055	Speed sensor assembly	1
J0020	15-49		395822 (9007315-0603)	Screw, M6 x 12	1
J0041	15-49		11013397	O-ring	1

**Loop flushing**

**H1B loop flushing A-N**

Parts configuration



\* Included in base motor seal kit Q210

## Loop flushing

Order code: A and N

Item	Date Begin	Date End	Part Number	Part Name	Qty. per Model/Kit
K0010	15-49		11031106	Spool	1
K0040	15-49		11160780	Plug/spring assembly	1
K0050	15-49		11160780	Plug/spring assembly	1
QK040	15-49		149052	O-ring	1
QK050	15-49		149052	O-ring	1

Order code: B

K0010	15-45		11101037	Spool	1
K0020	15-45		11101439	Spring/plug assembly	2
K0040	15-45		11101035	Plug assembly	1
K0050	15-45		11101035	Plug assembly	1
QK040	15-45		149052	O-ring	1
QK050	15-45		149052	O-ring	1

Order code: C

K0010	12-15		11031106	Spool	1
K0040	12-15		11115123	Plug/spring assembly	1
K0050	12-15		11160780	Plug/spring assembly	1
QK040	12-15		149052	O-ring	1
QK050	12-15		149052	O-ring	1

Order code: D

K0010	12-15		11031106	Spool	1
K0040	12-15		11160780	Plug/spring assembly	1
K0050	12-15		11115123	Plug/spring assembly	1
QK040	12-15		149052	O-ring	1
QK050	12-15		149052	O-ring	1

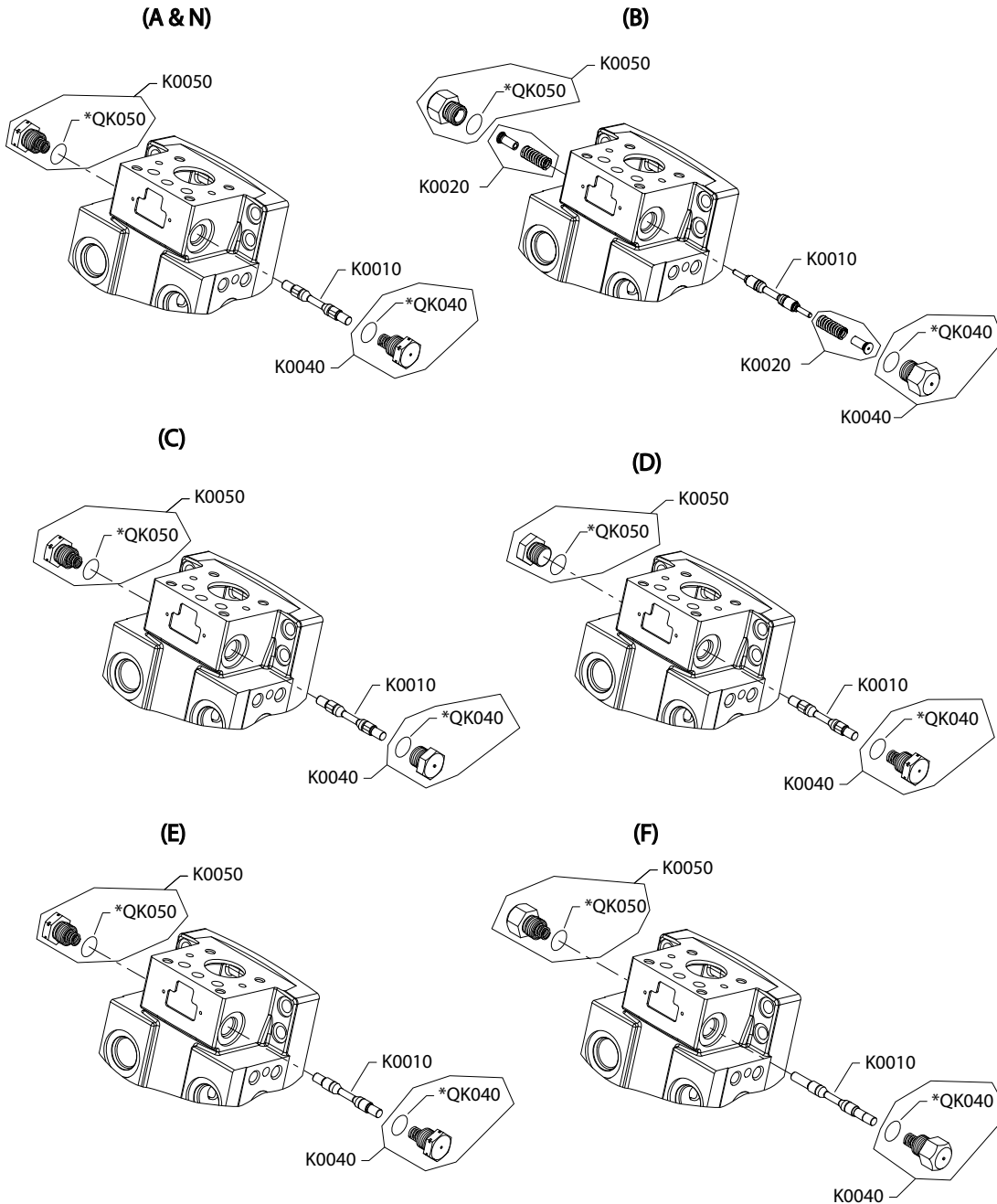
Order code: E

K0010	15-49		11157411	Spool	1
K0040	15-49		11160780	Plug/spring assembly	1
K0050	15-49		11160780	Plug/spring assembly	1
QK040	15-49		149052	O-ring	1
QK050	15-49		149052	O-ring	1

[Parts continue to the next 2 pages.](#)

**Loop flushing**

*Parts configuration*



\* Included in base motor seal kit Q210

### Loop flushing

Order code: F

Item	Date Begin	Date End	Part Number	Part Name	Qty. per Model/Kit
K0010	15-49		11157409	Spool	1
K0040	15-49		11158323	Plug/spring assembly	1
K0050	15-49		11158323	Plug/spring assembly	1
QK040	15-49		149052	O-ring	1
QK050	15-49		149052	O-ring	1

---

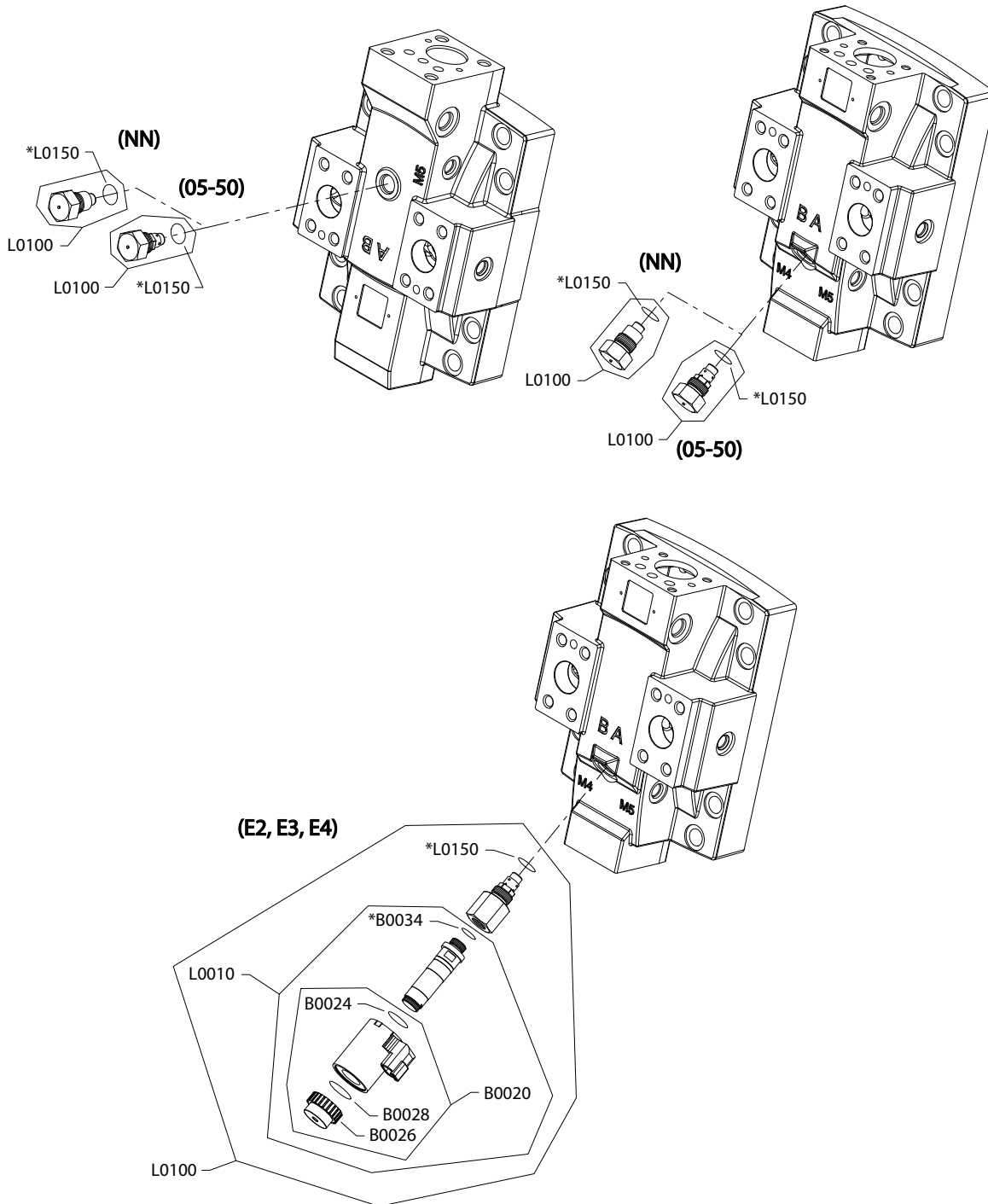
[For order code N, please refer to order code A.](#)

---

**Loop flushing**

**H1B loop flushing 05-50**

Parts configuration



Generic end caps shown

\* Included in overhaul seal kit Q210

### Loop flushing

Order code: 05

Item	Date Begin	Date End	Part Number	Part Name	Qty. per Model/Kit
L0100	15-49		11008698	Loop flushing relief valve, 5L/min	1
L0150	15-49		149052	O-ring	1

Order code: 10

L0100	15-49		11003448	Loop flushing relief valve, 10L/min	1
L0150	15-49		149052	O-ring	1

Order code: 15

L0100	15-49		11003450	Loop flushing relief valve, 15L/min	1
L0150	15-49		149052	O-ring	1

Order code: 20

L0100	15-49		11001676	Loop flushing relief valve, 20L/min	1
L0150	15-49		149052	O-ring	1

Order code: 30

L0100	15-49		11008700	Loop flushing relief valve, 30L/min	1
L0150	15-49		149052	O-ring	1

Order code: 40

L0100	15-49		11008701	Loop flushing relief valve, 40L/min	1
L0150	15-49		149052	O-ring	1

Order code: 50

L0100	15-49		11001697	Loop flushing relief valve, 50L/min	1
L0150	15-49		149052	O-ring	1

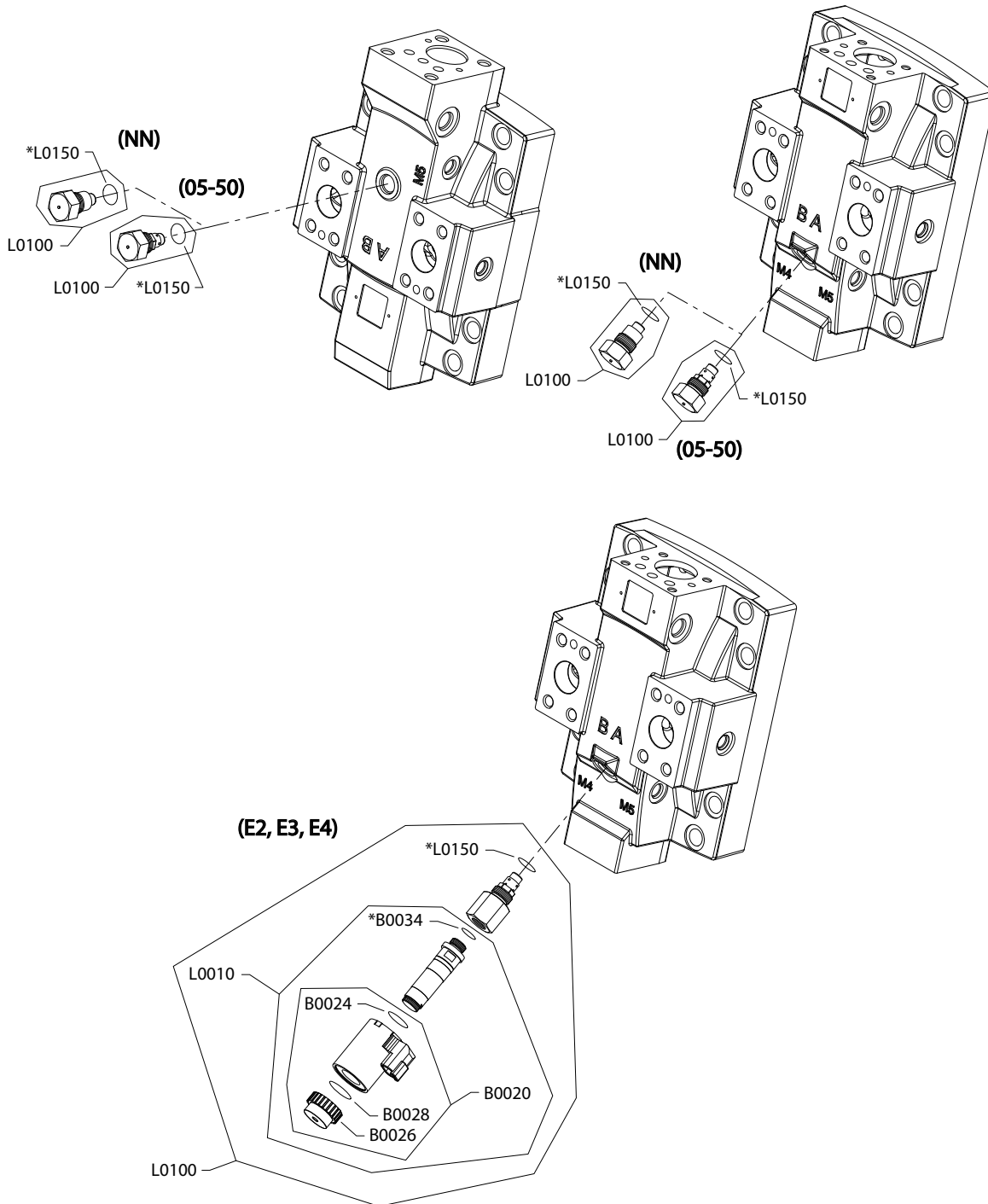
[Part numbers for options E2, E3, E4, and NN are continued on the next page.](#)

---

**Loop flushing**

**H1B loop flushing E2, E3, E4, NN**

*Parts configuration*



Generic end caps shown

\* Included in overhaul seal kit Q210



### Loop flushing

Order code: E2

Item	Date Begin	Date End	Part Number	Part Name	Qty. per Model/Kit
B0024	15-49		11031608	O-ring	1
B0026	15-49		11027046	Coil nut	1
B0028	15-49		063172	O-ring	1
B0034	15-49		085043 (9004201-3700)	O-ring	1
C2000	15-49		11031763	Coil kit, 12 volt	1
L0100	15-49		11096735	Loop flushing relief valve, 12v, 10L/min	1
L0150	15-49		149052	O-ring	1
L1000	15-49		11013615	Solenoid valve, 12v	1

Order code: E3

B0024	15-49		11031608	O-ring	1
B0026	15-49		11027046	Coil nut	1
B0028	15-49		063172	O-ring	1
B0034	15-49		085043 (9004201-3700)	O-ring	1
C2000	15-49		11031763	Coil kit, 12 volt	1
L0100	15-49		11096736	Loop flushing relief valve, 12v, 15L/min	1
L0150	15-49		149052	O-ring	1
L1000	15-49		11013615	Solenoid valve, 12v	1

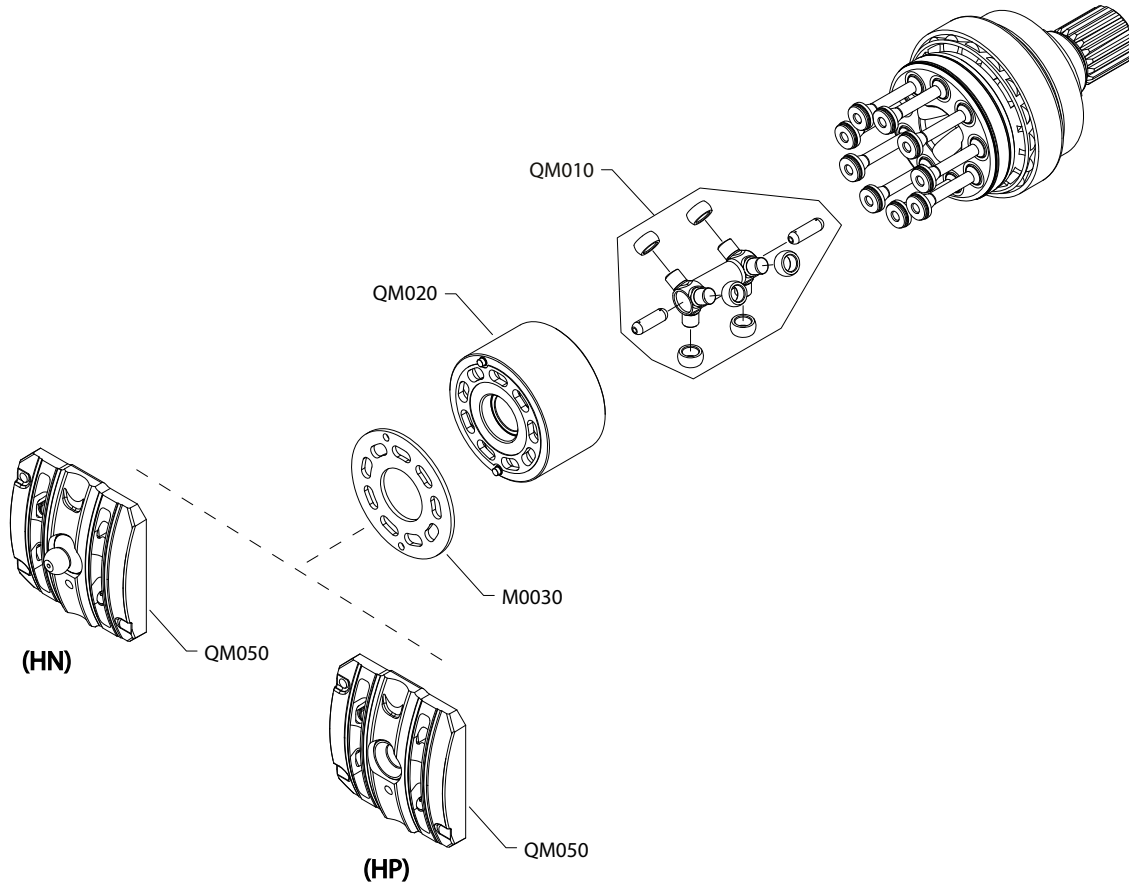
Order code: NN

L0100	15-49		11027278	Plug assembly	1
L0150	15-49		149052	O-ring	1

**Special hardware and displacement**

**H1B 210cc special hardware HN, HP**

*Parts configuration*



**Special hardware and displacement**

*Order code: HN*

Item	Date Begin	Date End	Part Number	Part Name	Qty. per Model/Kit
M0030	18-06		11195865	Bearing plate	1
QM010	18-06		11155000	Synch shaft assembly	1
QM020	18-06		11188009	Cylinder block assembly	1
QM050	18-06		11202371	Valve segment (2-position)	1

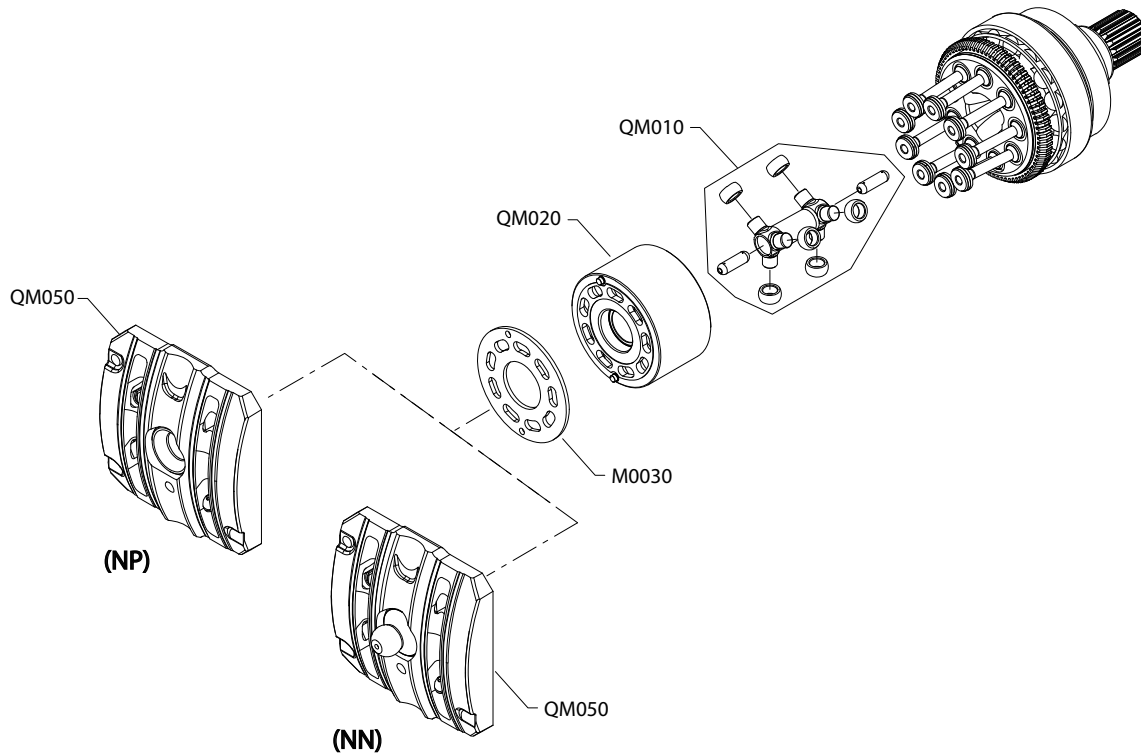
*Order code: HP*

M0030	18-06		11195865	Bearing plate	1
QM010	18-06		11155000	Synch shaft assembly	1
QM020	18-06		11188009	Cylinder block assembly	1
QM050	18-06		11187992	Valve segment (proportional)	1

**Special hardware and displacement**

**H1B 210cc special hardware NN, NP**

*Parts configuration*



**Special hardware and displacement**

*Order code: NN*

Item	Date Begin	Date End	Part Number	Part Name	Qty. per Model/Kit
QM010	15-49		11155000	Synch shaft assembly	1
QM020	15-49		11154997	Cylinder block assembly	1
M0030	15-49		11151730	Bearing plate	1
QM050	18-06		11153152	Valve segment (2-position)	1

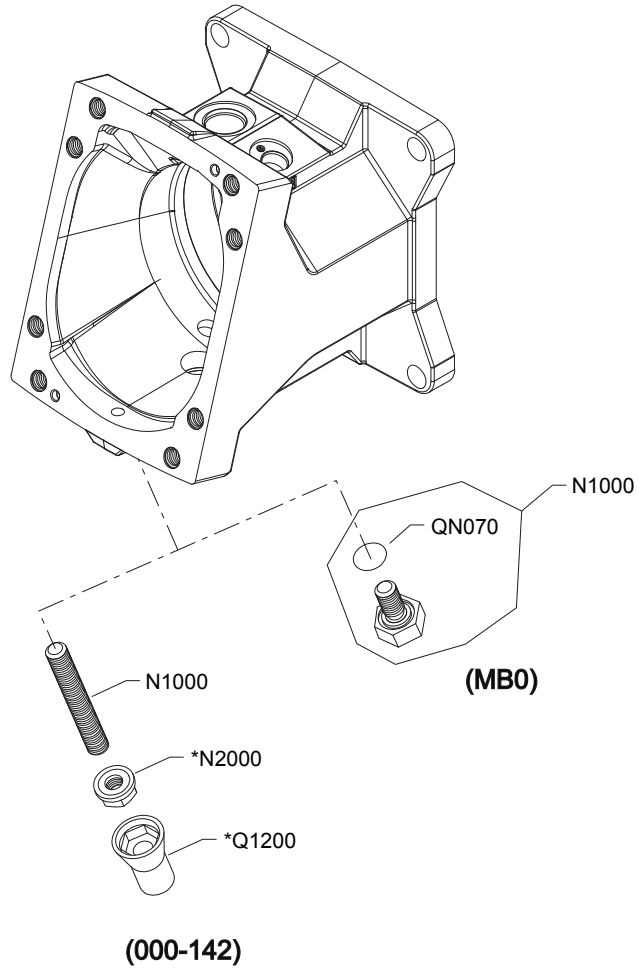
*Order code: NP*

QM010	15-49		11154998	Synch shaft assembly	1
QM020	15-49		11154995	Cylinder block assembly	1
M0030	15-49		11151730	Bearing plate	1
QM050	18-06		11149566	Valve segment (proportional)	1

**Special hardware and displacement**

**H1B 210cc minimum displacement 000-MB0**

*Parts configuration*



\* Included in overhaul seal kit Q210

**Special hardware and displacement**

*Order code: 000-041*

Item	Date Begin	Date End	Part Number	Part Name	Qty. per Model/Kit
N1000	15-49		750646	Set screw, 0-41cc, M12 x 75	1
N2000	15-49		076042	Seal nut, M12	1
Q1200	15-49		770842	Plastic cap, green	1

*Order code: 042-090*

N1000	15-49		749564	Set screw, 42-90cc, M12 x 90	1
N2000	15-49		076042	Seal nut, M12	1
Q1200	15-49		770842	Plastic cap, green	1

*Order code: 091-142*

N1000	15-49		11152460	Set screw, 91-142cc, M12 x 105	1
N2000	15-49		076042	Seal nut, M12	1
Q1200	15-49		770842	Plastic cap, green	1

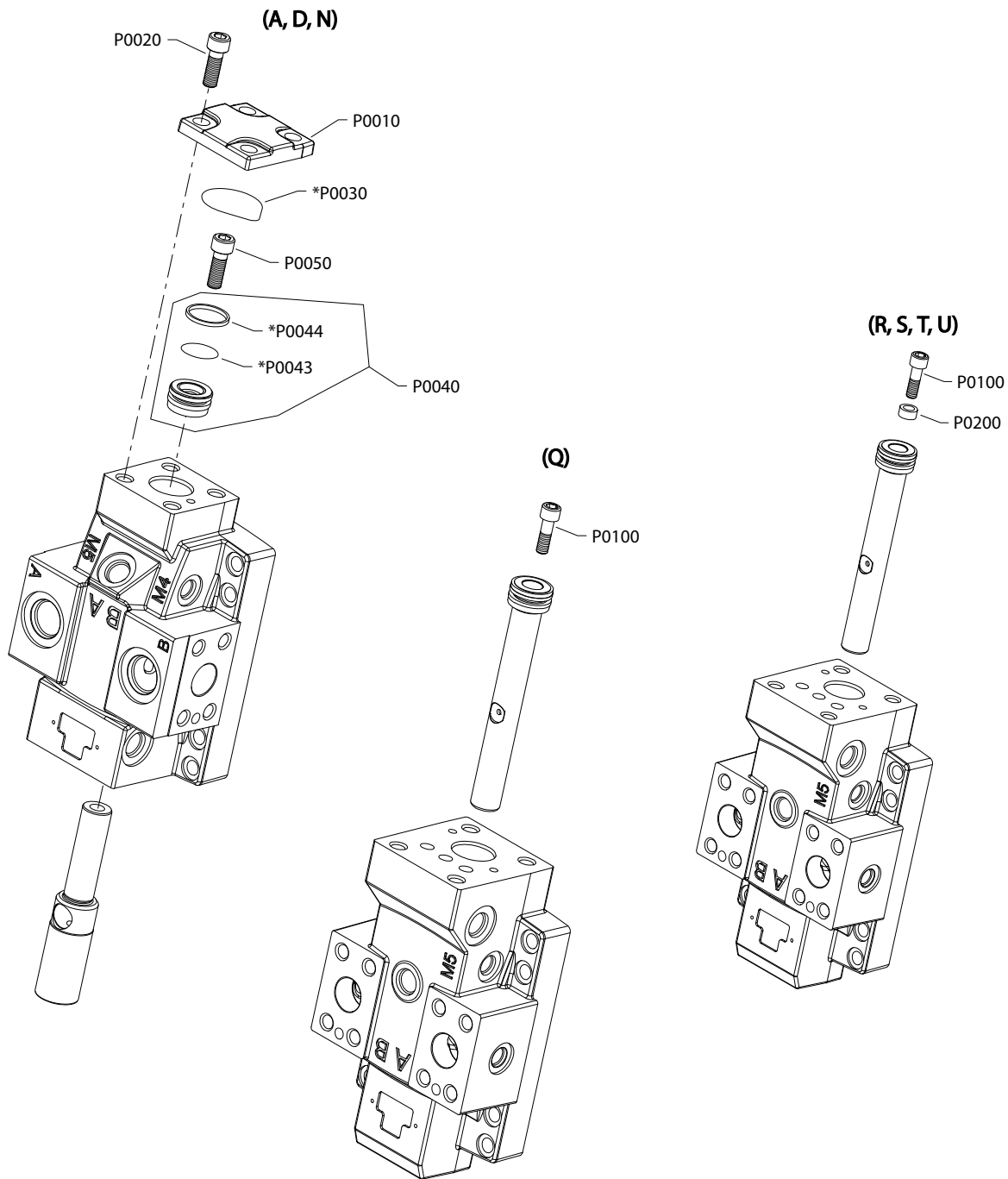
*Order code: MB0*

N1000	15-49		11161812	Seal plug assembly, M12	1
QN070	15-49		11001952	O-ring	1

**Special hardware and displacement**

**H1B 210cc maximum displacement A, D, N, Q-U**

*Parts configuration*



\* Included in overhaul seal kit Q210

Generic end caps used to show part location only.



**Special hardware and displacement**

**⚠ Caution**

During removal of screw (P0050) and set screw (F0070), the servo piston assembly will be subjected to high torque and may create a pinch point for fingers. Use caution when disassembling these components from the servo piston. For more information, see [SB-2019-017](#) on page 96.

*Order code: A*

Item	Date Begin	Date End	Part Number	Part Name	Qty. per Model/Kit
P0010	16-05		11001110	Servo piston cover	1
P0020	16-05		737866	Screw, M12 x 30	4
P0030	16-05		11050757	O-ring	1
P0040	16-05		11174986	Servo piston assembly	1
P0043	16-05		11063016	O-ring	1
P0044	16-05		11063013	Piston ring	1
P0050	16-05		11069403	Screw, M14 x 35	1

*Order code: D*

P0010	17-33		11001110	Servo piston cover	1
P0020	17-33		737866	Screw, M12 x 30	4
P0030	17-33		11050757	O-ring	1
P0040	17-33		11194544	Servo piston assembly	1
P0043	17-33		11063016	O-ring	1
P0044	17-33		11063013	Piston ring	1
P0050	17-33		11069403	Screw, M14 x 35	1

*Order code: N*

P0010	15-49		11001110	Servo piston cover	1
P0020	15-49		737866 (9007314-1207)	Screw, M12 x 30	4
P0030	15-49		11050757	O-ring	1
P0040	15-49		11062354	Servo piston assembly	1
P0043	15-49		11063016	O-ring	1
P0044	15-49		11063013	Piston ring	1
P0050	15-49		11069403	Screw, M14 x 35	1

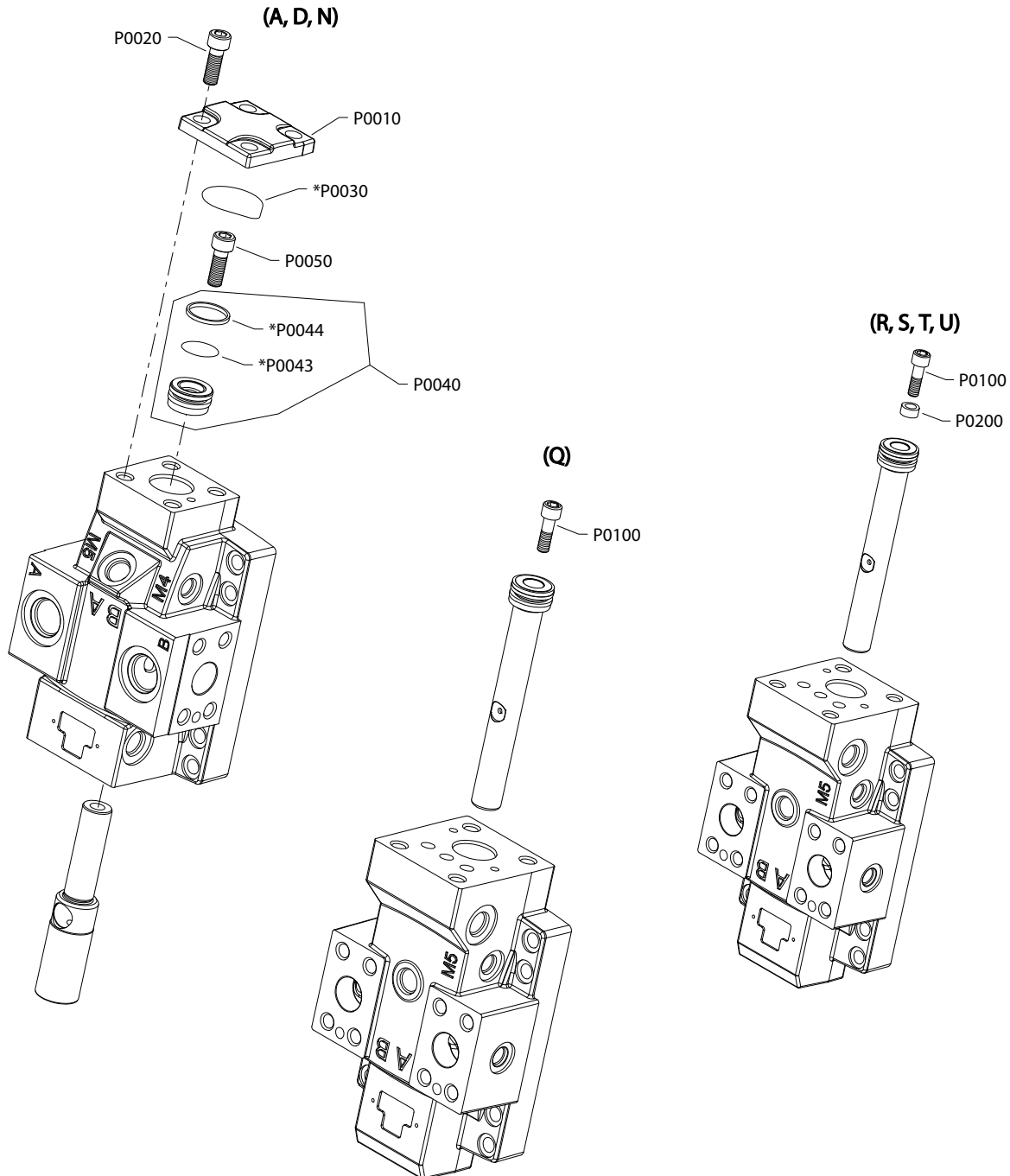
*Order code: Q*

P0100	15-49		293225	Screw, M10 x 30	1
-------	-------	--	--------	-----------------	---

[Parts are continued to the next 2 pages.](#)

**Special hardware and displacement**

*Parts configuration*



\* Included in overhaul seal kit Q210

Generic end caps used to show part location only.

**Special hardware and displacement**

**⚠ Caution**

During removal of screw (P0050) and set screw (F0070), the servo piston assembly will be subjected to high torque and may create a pinch point for fingers. Use caution when disassembling these components from the servo piston. For more information, see [SB-2019-017](#) on page 96.

*Order code: R*

Item	Date Begin	Date End	Part Number	Part Name	Qty. per Model/Kit
P0100	17-29		293225	Screw, M10 x 30	1
P0200	17-29		672071	Spacer, 4.50mm	1

*Order code: S*

P0100	16-14		293225	Screw, M10x30	1
P0200	16-14		318683	Spacer, 10.5mm	1

*Order code: T*

P0100	17-27		293225	Screw, M10x35	1
P0200	17-27		347088	Spacer, 13mm	1

*Order code: U*

P0100	17-27		732982	Screw, M10x40	1
P0200	17-27		11191164	Spacer, 17.55mm	1

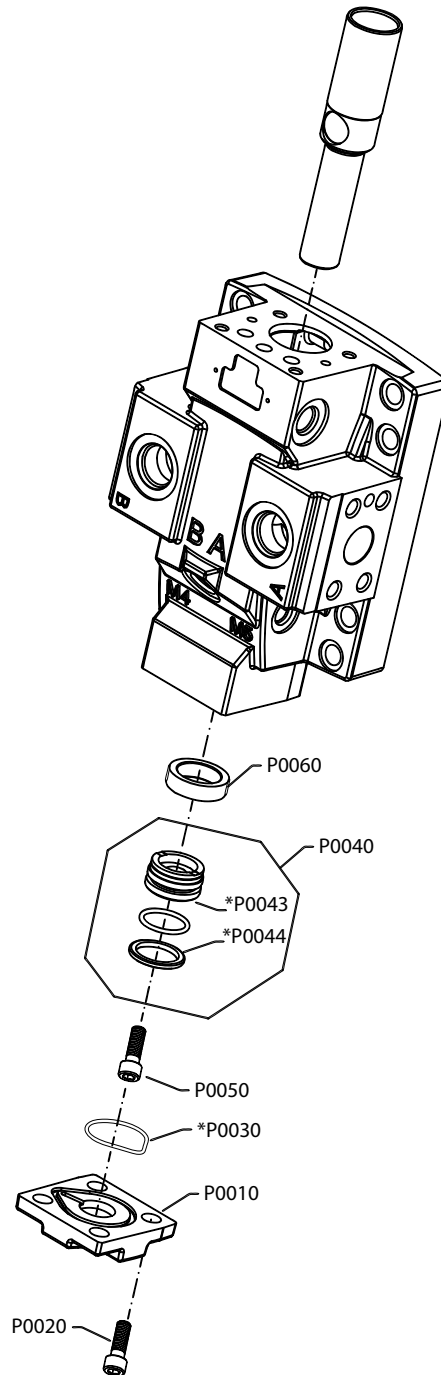
*Order code: Z*

No parts					
----------	--	--	--	--	--

**Special hardware and displacement**

**H1B 210cc maximum displacement K**

*Parts configuration*



\* Included in overhaul seal kit Q210

Generic end cap used to show part location only.

**Special hardware and displacement**

**⚠ Caution**

During removal of screw (P0050) and set screw (F0070), the servo piston assembly will be subjected to high torque and may create a pinch point for fingers. Use caution when disassembling these components from the servo piston. For more information, see [SB-2019-017](#) on page 96.

---

Order code: K

Item	Date Begin	Date End	Part Number	Part Name	Qty. per Model/Kit
P0010	18-37		11001110	Piston cover	1
P0020	18-37		737866	Screw, M12x30	4
P0030	18-37		11050757	O-ring	1
P0040	18-37		11062354	Servo piston assembly	1
P0043	18-37		11063016	O-ring	1
P0044	18-37		11063013	Piston ring	1
P0050	18-37		11069403	Screw, M14x45	1
P0060	18-37		11226220	Spacer, 10.25mm	1

**Overhaul seal kit**

**H1B 210cc seal kit**

Item	Date Begin	Date End	Part Number	Part Name	Qty. per Model/Kit
Q210	15-49		11172554	Overhaul seal kit, H1B210	1
B0034	15-49		085043 (9004201-3700)	O-ring, 11.89 x 1.98, nitrile	2
B0035	15-49		11001952	O-ring, 18.00 x 1.50, nitrile	1
C0130	15-49		149040	Control seal	1
C0130	15-49		11016168	Control seal, 2-position	1
G0020	15-49		519022	Lip seal	1
G0070	15-49		11150696	End cap gasket, H1B250	1
J0041	15-49		11013397	O-ring, 15.60 x 1.78, nitrile	1
L0150	15-49		149052	O-ring, 15.30 x 2.20, nitrile	1
M223	15-49		085043 (9004201-3700)	O-ring, 11.89 x 1.98, nitrile	1
M224	15-49		732479 (9004105-0100)	O-ring, 6.07 x 1.78, viton	1
N2000	15-49		076042	Seal nut, M12	1
P0030	15-49		11050757	O-ring, 47.00 x 3.00, nitrile	1
P0043	15-49		11063016	O-ring, 26.64 x 2.62, nitrile	1
P0044	15-49		11063013	Piston ring	1
QC160	15-49		039297 (9004201-1200)	O-ring, 6.07 x 1.63, nitrile	1
QG050	15-49		001123 (9004201-2500)	O-ring, 8.92 x 1.83, nitrile	1
QK040	15-49		149052	O-ring, 15.30 x 2.20, nitrile	1
QK050	15-49		149052	O-ring, 15.30 x 2.20, nitrile	1
Q1200	15-49		770842	Plastic cap, green	1

**Service bulletin**

**SB-2018-028**

**Products affected**

H1B motors

**Subject**

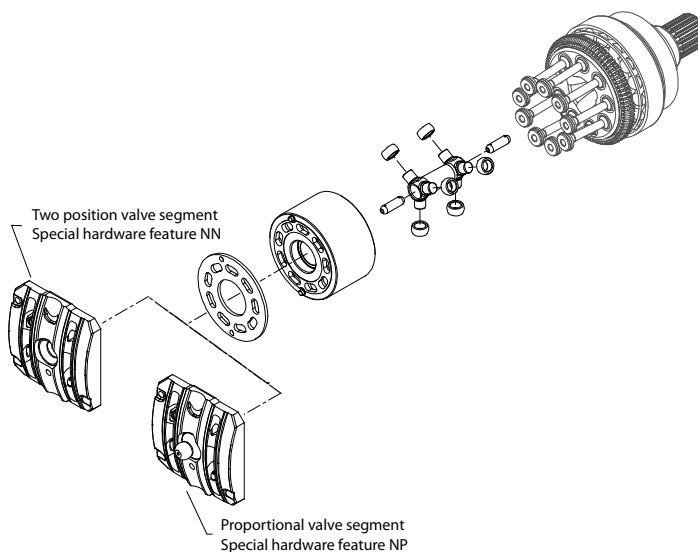
Parts manual change for valve segment assembly

**Description**

Danfoss has reorganized topics in the Parts Manual for H1B 60cc, 80cc, 110cc, 160cc, 210cc and 250cc motors. The valve segment assembly (Item QF080) has been moved to the "Special Hardware/Common Parts" section (Option M). It was formerly located in the "End Cap" section (Option F).

Because of the move, 2-position and proportional valve segments will need to be included in their own order code designation. The order code for 2-position valve segments will be NN and the order code for proportional valve segments will be NP.

Part numbers have not changed.



**Models affected**

H1B 60, 80, 110, 160, 210 and 250cc motors

**Serial numbers**

This change became effective at 18-12-xxxxx

**Part number affected**

Not applicable

**Parts disposition**

Not applicable

**Service bulletin**

**SB-2019-017**

**Products affected**

H1 Bent Axis Motors Size 060/080/110/160/210/250

**Subject**

Potential injury risk on motors with proportional control servo systems

**Description**

Danfoss Power Solutions has identified a potential safety concern when performing disassembly and reassembly of the H1B bent axis motors. Specifically, when removing and installing the servo piston assembly, it is important the instructions as documented within the *H1B Bent Axis Variable Displacement Motors Repair Instructions* (document 11020692) are strictly followed.

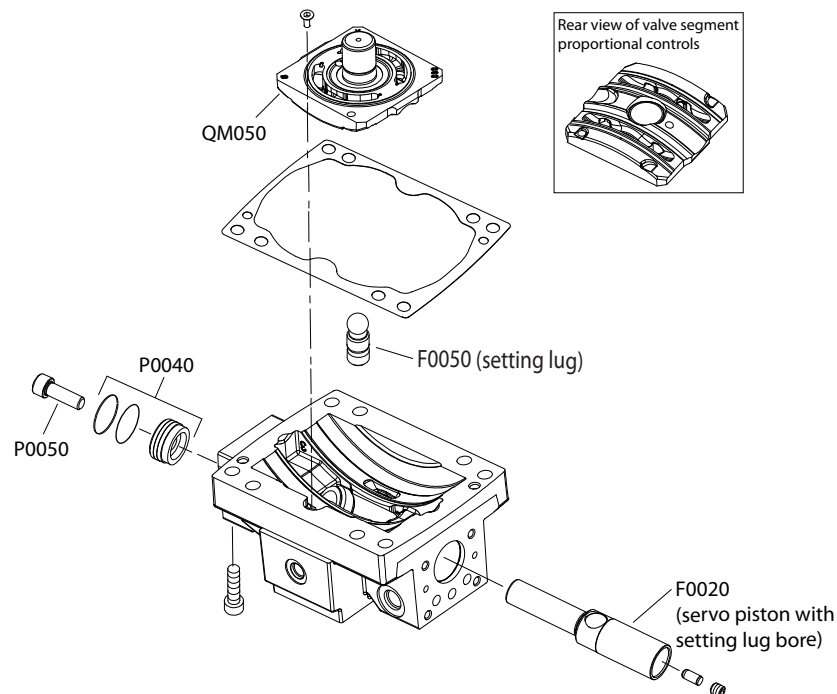
**! Caution**

**Failure to follow these instructions while performing a repair can result in a severe laceration or finger amputation injury.**

Injury may occur if the removal of the servo piston bolt (P0050) is performed after the end cap has been removed along with the valve segment (QM050) and setting lug (F0050). If torque is applied to the servo piston bolt (P0050) while an operator's fingers are in proximity to the empty and exposed setting lug bore, a severe laceration or finger amputation injury may occur.

The risk of injury is also present during the reassembly of the servo piston assembly (P0040 and F0020) in the end cap. If torque is applied to the servo piston bolt (P0050) while an operator's fingers are in the proximity to the empty and exposed setting lug bore, a severe laceration or finger amputation injury may occur.

It is important that the setting lug and valve segment (QM050) are properly installed prior to installing and torquing the servo piston bolt (P0050).





#### Products we offer:

- DCV directional control valves
- Electric converters
- Electric machines
- Electric motors
- Gear motors
- Gear pumps
- Hydrostatic motors
- Hydrostatic pumps
- Orbital motors
- PLUS+1® controllers
- PLUS+1® displays
- PLUS+1® joysticks and pedals
- PLUS+1® operator interfaces
- PLUS+1® sensors
- PLUS+1® software
- PLUS+1® software services, support and training
- Position controls and sensors
- PVG proportional valves
- Steering components and systems
- Telematics

**Danfoss Power Solutions** is a global manufacturer and supplier of high-quality hydraulic and electric components. We specialize in providing state-of-the-art technology and solutions that excel in the harsh operating conditions of the mobile off-highway market as well as the marine sector. Building on our extensive applications expertise, we work closely with you to ensure exceptional performance for a broad range of applications. We help you and other customers around the world speed up system development, reduce costs and bring vehicles and vessels to market faster.

Danfoss Power Solutions – your strongest partner in mobile hydraulics and mobile electrification.

#### Go to [www.danfoss.com](http://www.danfoss.com) for further product information.

We offer you expert worldwide support for ensuring the best possible solutions for outstanding performance. And with an extensive network of Global Service Partners, we also provide you with comprehensive global service for all of our components.

#### Hydro-Gear

[www.hydro-gear.com](http://www.hydro-gear.com)

#### Daikin-Sauer-Danfoss

[www.daikin-sauer-danfoss.com](http://www.daikin-sauer-danfoss.com)

Local address:

**Danfoss  
Power Solutions (US) Company**  
2800 East 13th Street  
Ames, IA 50010, USA  
Phone: +1 515 239 6000

**Danfoss  
Power Solutions GmbH & Co. OHG**  
Krokamp 35  
D-24539 Neumünster, Germany  
Phone: +49 4321 871 0

**Danfoss  
Power Solutions ApS**  
Nordborgvej 81  
DK-6430 Nordborg, Denmark  
Phone: +45 7488 2222

**Danfoss  
Power Solutions Trading  
(Shanghai) Co., Ltd.**  
Building #22, No. 1000 Jin Hai Rd  
Jin Qiao, Pudong New District  
Shanghai, China 201206  
Phone: +86 21 2080 6201

Danfoss can accept no responsibility for possible errors in catalogues, brochures and other printed material. Danfoss reserves the right to alter its products without notice. This also applies to products already on order provided that such alterations can be made without subsequent changes being necessary in specifications already agreed. All trademarks in this material are property of the respective companies. Danfoss and the Danfoss logotype are trademarks of Danfoss A/S. All rights reserved.