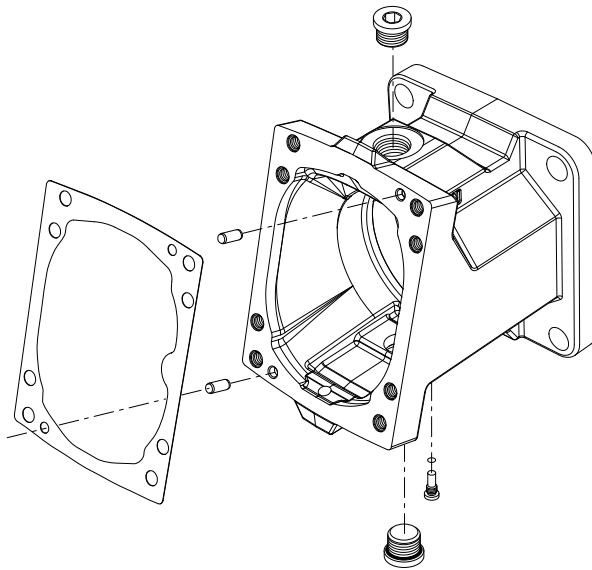


Parts Manual

H1B 110cc

Bent Axis Motor



Revision history*Table of revisions*

Date	Changed	Rev
November 2018	Updated servo pressure supply option HE	0602
May 2018	Added SB-2018-028	0601
November 2017	Updated to Engineering Tomorrow	0501

Contents

General information

Service Parts Identification.....	5
Nameplate.....	5
Date code.....	6
About service bulletins.....	6
Procedure to identify a part.....	6
Regional part numbers.....	6
Adobe Acrobat 2-page viewing.....	7
Order code.....	8
Notes.....	9

Controls

Control D1-DH.....	10
Control E1-F2.....	12
Control K1-KH.....	14
Control L1-LH.....	16
Control M1-MH.....	18
Control P1-T2.....	20
Control TA, TH.....	22

Servo pressure supply

Servo pressure AA, AD.....	24
Servo pressure BA, BB.....	26
Servo pressure BC, BD, CA.....	28
Servo pressure D1, D1.....	30
Servo pressure DA, EA.....	32
Servo pressure G1, G2.....	34
Servo pressure HA, HB, HC.....	36
Servo pressure HE, HF.....	38
Servo pressure K1, K2.....	40
Servo pressure KA, KH.....	42
Servo pressure M1, M2.....	44
Servo pressure MA, MF.....	46
Servo pressure MH, MW.....	48
Servo pressure NP, NR, NT.....	50

Orifice

Orifice A, B, C, D.....	52
-------------------------	----

End cap

End cap PA.....	54
End cap PB.....	56
End cap PC.....	58
End cap PD.....	60
End cap PF.....	62
End cap PM.....	64
End cap PP.....	66
End cap RA.....	68
End cap RB.....	70
End cap RM.....	72
End cap TA.....	74
End cap TB.....	76
End cap TL.....	78

Flange/housing

Flange/housing CN and CS.....	80
Flange/housing DD, DN, DS.....	82
Flange/housing VB.....	84
Flange/housing VN and VS.....	86

Shaft

Shaft DN-PS.....	88
------------------	----

Contents**Speed sensor**

Speed sensor B, C, P, S.....	90
------------------------------	----

Loop flushing

Loop flushing A-N.....	92
Loop flushing 05-50.....	96
Loop flushing E2, E3, E4, NN.....	98

Special hardware and displacement

Special hardware NN, NP.....	100
Minimum displacement.....	102
Maximum displacement.....	104

Overhaul seal kit

H1B 110cc seal kit.....	106
-------------------------	-----

Service bulletin

SB-2014-013.....	107
SB-2018-028.....	108

General information

Service Parts Identification

The following information and procedure is used to identify the module group, item number, manufacture date, part number, and part name of the parts included in the

The parts listed include all parts which may be used when performing either "Minor Repairs", "Major Repairs" or "Conversions" on the H1B 110cc.

Nameplate

Each unit will have a nameplate affixed to the housing. The nameplate will include the following information:

Model Code

The Danfoss model code completely defines the specific unit and must be used when ordering parts to service this product.

Model Number

The Danfoss model number is used by the factory in manufacturing. On repeat orders, a complete unit can be ordered by the model number.

Serial Number

The Danfoss serial number is used to identify the manufacture date and the unit sequence in the build. The serial number is also used to identify the units warranty time period.

The letter code indicates the location of original manufacture (assembly).

The first number (2 digits) indicates the year of manufacture. The second number (2 digits) indicates the calendar week of manufacture.

The third number (5 digits) is a sequential number used to identify a specific unit.



General information

Date code

The date code is defined as the year and week of manufacture. The same item number may list more than one part number. This indicates that there is more than one configuration for that item number. You will see that there are different date codes for the different part numbers. Find the date code of your unit from the nameplate to determine which service part number you need to order.

Example: The service part desired is item G30

Order Code	Item	Date Begin	Date End	Part Number	Part Name	Qty. per Model/Kit
80	G30	89-17		8000243	End cap gasket	1
	G30		89-16	8000151	End cap gasket (SB-1995-006)	1

All units using this order code with a date code prior to 89-17 must use part number "8000151." All units with a date code of 89-17 and newer must use part number "8000243."

About service bulletins

A Service Bulletin Number (SB-____ - ____) may follow the "Part Name" of the part you desire. You must read that Service Bulletin prior to ordering that part. The information contained in these Service Bulletins, as of the print date of this bulletin, are included at the end of this manual. Service Bulletins contain more detailed information such as interchangeability, what additional parts are involved, etc. It is suggested that you add additional Service Bulletins to this manual as you receive them.

Procedure to identify a part

The modular design of this product results in a simplified service parts list and part number identification procedure.

The same item numbers are used for same part names on all units within a product type. A part number that has another number following it in parentheses is done to make this a world wide manual.

Regional part numbers

Some part numbers are region specific and should be ordered accordingly.

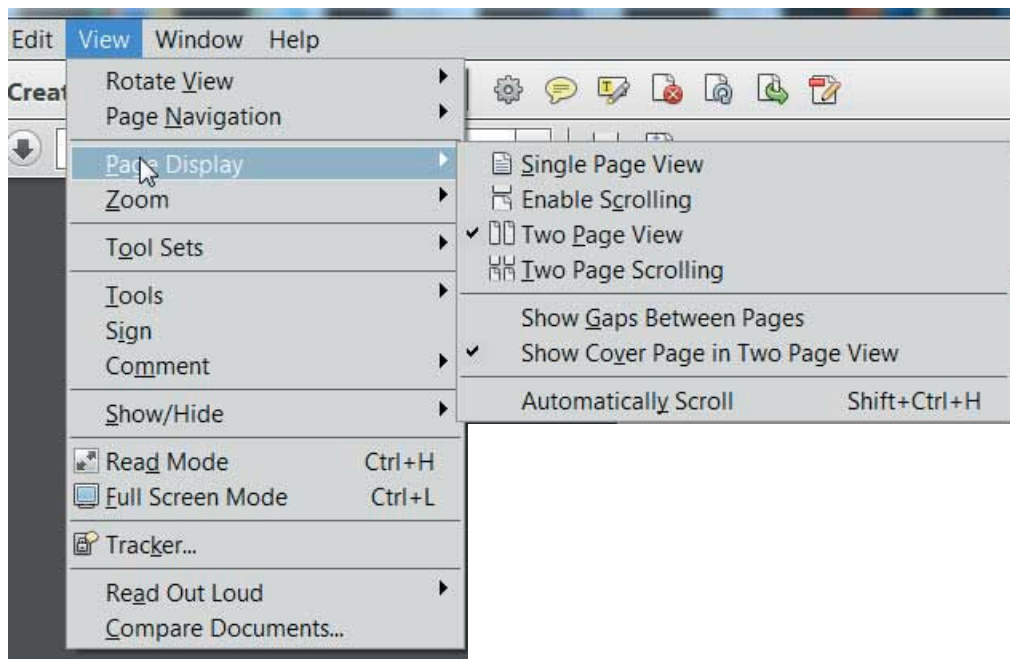
As an example, the part number (example: 314583 (9008000-0118)) will be used. The first number is sold in Germany. The number in parentheses is sold in the United States. Customers would order 9008000-0118 if ordering the part in the United States.

General information

Adobe Acrobat 2-page viewing

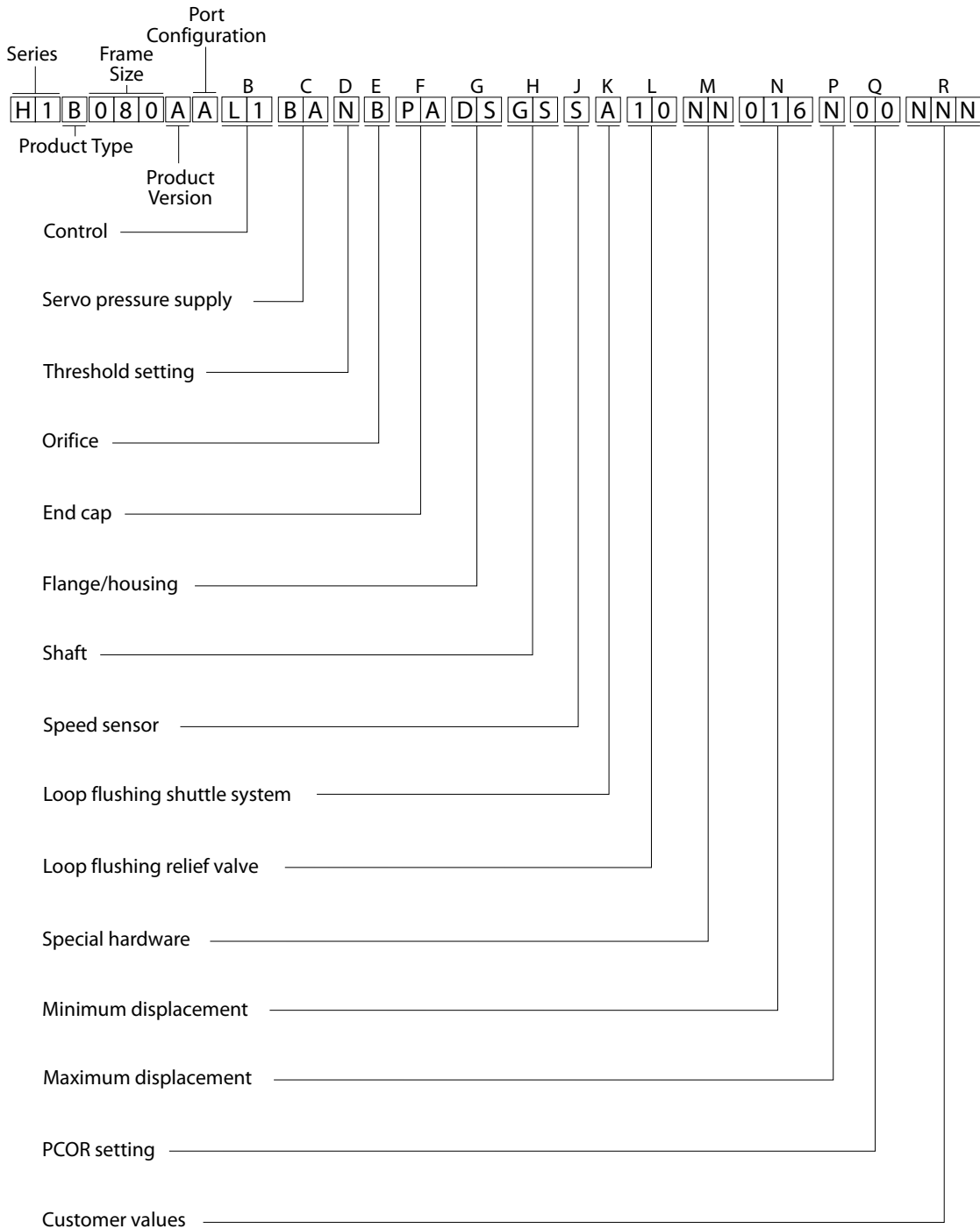
While viewing manual in Adobe Acrobat, the following settings need to be applied to ensure proper page display.

1. Select "View" → "Page Display" → "Two Page View"
2. Select "View" → "Page Display" → "Show Cover Page in Two Page View"



General information

Order code



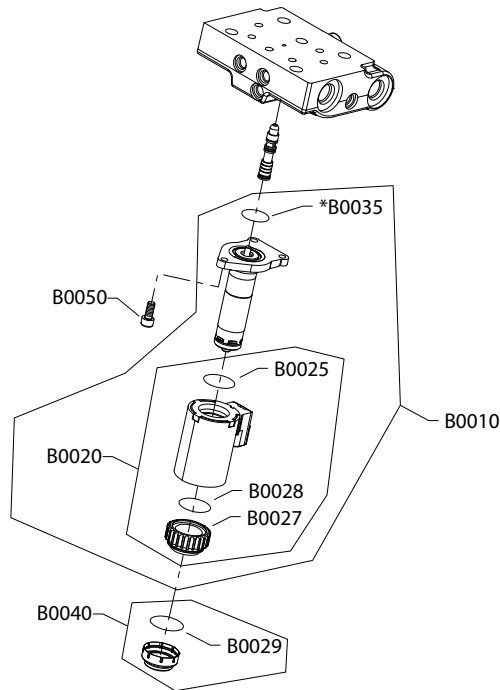
General information

Notes

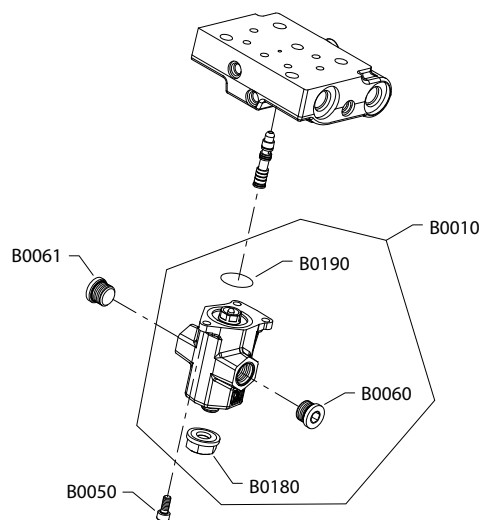
Controls

H1B control D1-DH

D1 and D2 configuration



DH configuration



Generic housings used to show part locations only.

* Included in overhaul seal kit Q210

Controls

Electric proportional

Order code: D1

Item	Date Begin	Date End	Part Number	Part Name	Qty. per Model/Kit
B0010	08-14		149053	Solenoid valve, proportional, 12 volt	1
B0020	08-14		11031746	Coil kit, 12 volt	1
B0025	08-14		11004735	O-ring	1
B0027	08-14		11004749	Coil nut	1
B0028	08-14		063172	O-ring	1
B0029	08-14		11037174	O-ring	1
B0035	08-14		11001952	O-ring	1
B0040	08-14		11014185	Plastic cap	1
B0050	08-14		716860	Screw, M5 x 12	3

Order code: D2

B0010	08-14		11002705	Solenoid valve, proportional, 24 volt	1
B0020	08-14		11031749	Coil kit, 24 volt	1
B0025	08-14		11004735	O-ring	1
B0027	08-14		11004749	Coil nut	1
B0028	08-14		063172	O-ring	1
B0029	08-14		11037174	O-ring	1
B0035	08-14		11001952	O-ring	1
B0040	08-14		11014185	Plastic cap	1
B0050	08-14		716860	Screw, M5 x 12	3

Hydraulic proportional

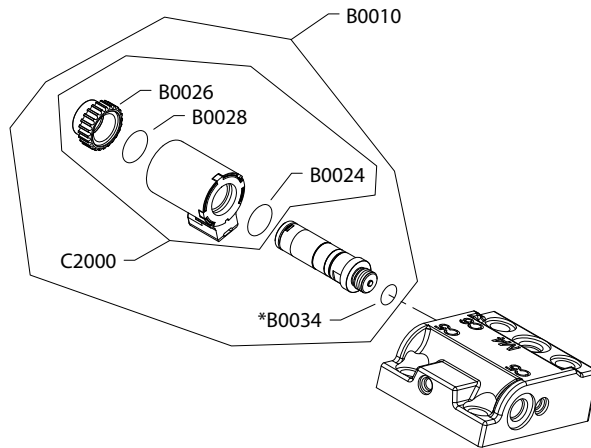
Order code: DH

B0010	14-37		11146306	Actuator assembly	1
B0050	14-37		716860	Screw, M5 x 12	3
B0060	14-37		140644	Plug assembly	1
B0061	14-37		140644	Plug assembly	1
B0180	14-37		076042 (9003509-0012)	Seal nut, M12	1
B0190	14-37		012575 (9004105-1170)	O-ring	1

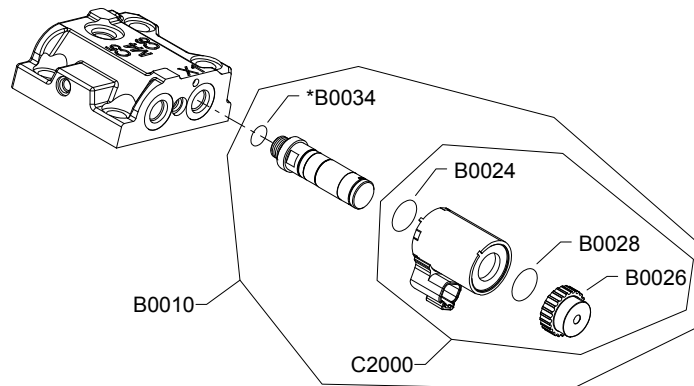
Controls

H1B control E1-F2

E1 and E2 configuration



F1 and F2 configuration



Generic housings used to show part location only.

* Included in overhaul seal kit Q210

Controls

Electric 2-position

Order code: E1

Item	Date Begin	Date End	Part Number	Part Name	Qty. per Model/Kit
B0010	08-14		11013615	Solenoid, on/off, 12 volt	1
B0024	08-14		11027046	O-ring	1
B0026	08-14		11027046	Coil nut	1
B0028	08-14		063172	O-ring	
B0034	08-14		085043 (9004201-3700)	O-ring	1
C2000	08-14		11031763	Coil kit, 12 volt	1

Order code: E2

B0010	08-14		11013616	Solenoid, on/off, 24 volt	1
B0024	08-14		11031608	O-ring	1
B0026	08-14		11027046	Coil nut	1
B0028	08-14		063172	O-ring	1
B0034	08-14		085043 (9004201-3700)	O-ring	1
C2000	08-14		11031764	Coil kit, 24 volt	1

Order code: F1

B0010	11-48		11013615	Solenoid, on/off, 12 volt	1
B0024	11-48		11027046	O-ring	1
B0026	11-48		11027046	Coil nut	1
B0028	11-48		063172	O-ring	
B0034	11-48		085043 (9004201-3700)	O-ring	1
C2000	11-48		11031763	Coil kit, 12 volt	1

Order code: F2

B0010	11-48		11013616	Solenoid, on/off, 24 volt	1
B0024	11-48		11031608	O-ring	1
B0026	11-48		11027046	Coil nut	1
B0028	11-48		063172	O-ring	1
B0034	11-48		085043 (9004201-3700)	O-ring	1
C2000	11-48		11031764	Coil kit, 24 volt	1

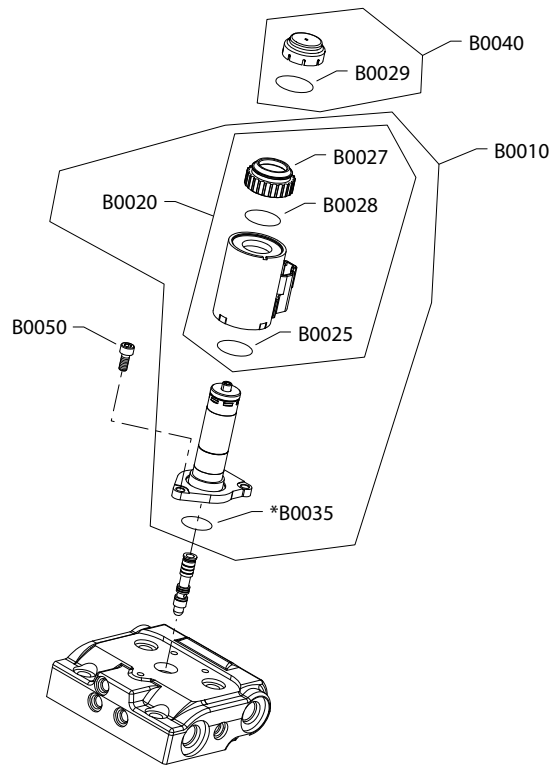
Order code: HE and HF

No parts

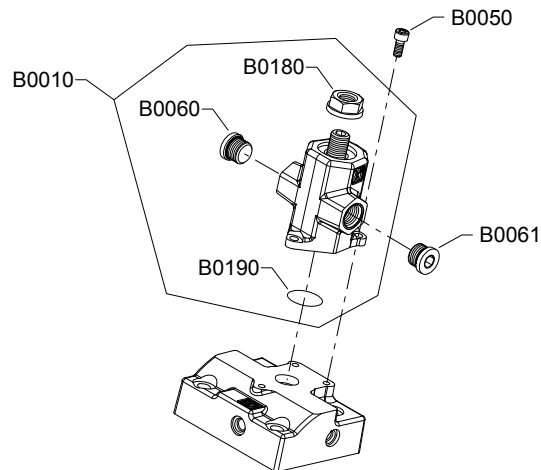
Controls

H1B control K1-KH

K1, K2 configuration



KH configuration



Generic housing used to show part location only.

* Included in overhaul seal kit Q210

Controls

Order code: K1

Item	Date Begin	Date End	Part Number	Part Name	Qty. per Model/Kit
B0010	08-14		149053	Solenoid valve, proportional, 12 volt	1
B0020	08-14		11031746	Coil kit, 12 volt	1
B0025	08-14		11004735	O-ring	1
B0027	08-14		11004749	Coil nut	1
B0028	08-14		063172	O-ring	1
B0029	08-14		11037174	O-ring	1
B0035	08-14		11001952	O-ring	1
B0040	08-14		11014185	Plastic cap	1
B0050	08-14		716860	Screw, M5 x 12	3

Order code: K2

B0010	08-14		11002705	Solenoid valve, proportional, 24 volt	1
B0020	08-14		11031749	Coil kit, 24 volt	1
B0025	08-14		11004735	O-ring	1
B0027	08-14		11004749	Coil nut	1
B0028	08-14		063172	O-ring	1
B0029	08-14		11037174	O-ring	1
B0035	08-14		11001952	O-ring	1
B0040	08-14		11014185	Plastic cap	1
B0050	08-14		716860	Screw, M5 x 12	3

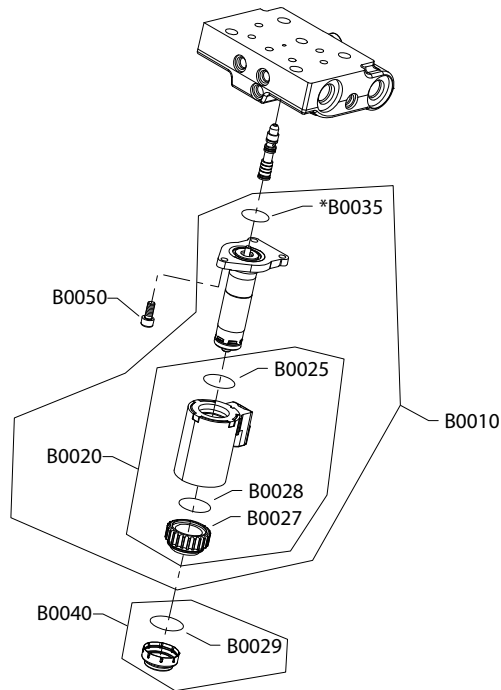
Order code: KH

B0010	15-48		11146306	Actuator assembly	1
B0050	15-48		716860	Screw, M5 x 12	3
B0060	15-48		140644	Plug assembly	1
B0061	15-48		140644	Plug assembly	1
B0180	15-48		076042 (9003509-0012)	Seal nut, M12	1
B0190	15-48		012575 (9004105-1170)	O-ring	1

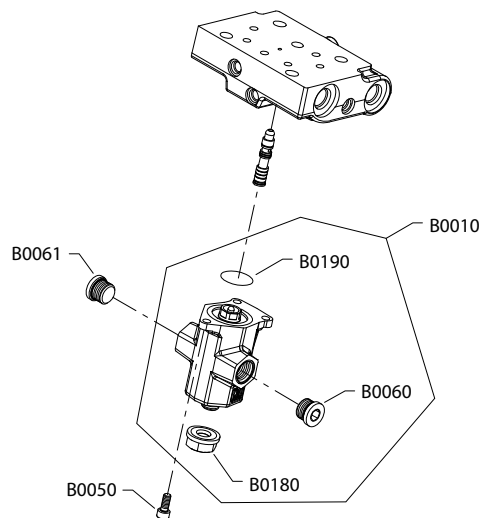
Controls

H1B control L1-LH

L1 and L2 configuration



LH configuration



Generic housings used to show part locations only.

* Included in overhaul seal kit Q210

Controls

Electric proportional

Order code: L1

Item	Date Begin	Date End	Part Number	Part Name	Qty. per Model/Kit
B0010	08-14		149053	Solenoid valve, proportional, 12 volt	1
B0020	08-14		11031746	Coil kit, 12 volt	1
B0025	08-14		11004735	O-ring	1
B0027	08-14		11004749	Coil nut	1
B0028	08-14		063172	O-ring	1
B0029	08-14		11037174	O-ring	1
B0035	08-14		11001952	O-ring	1
B0040	08-14		11014185	Plastic cap	1
B0050	08-14		716860	Screw, M5 x 12	3

Order code: L2

B0010	08-14		11002705	Solenoid valve, proportional, 24 volt	1
B0020	08-14		11031749	Coil kit, 24 volt	1
B0025	08-14		11004735	O-ring	1
B0027	08-14		11004749	Coil nut	1
B0028	08-14		063172	O-ring	1
B0029	08-14		11037174	O-ring	1
B0035	08-14		11001952	O-ring	1
B0040	08-14		11014185	Plastic cap	1
B0050	08-14		716860	Screw, M5 x 12	3

Hydraulic proportional

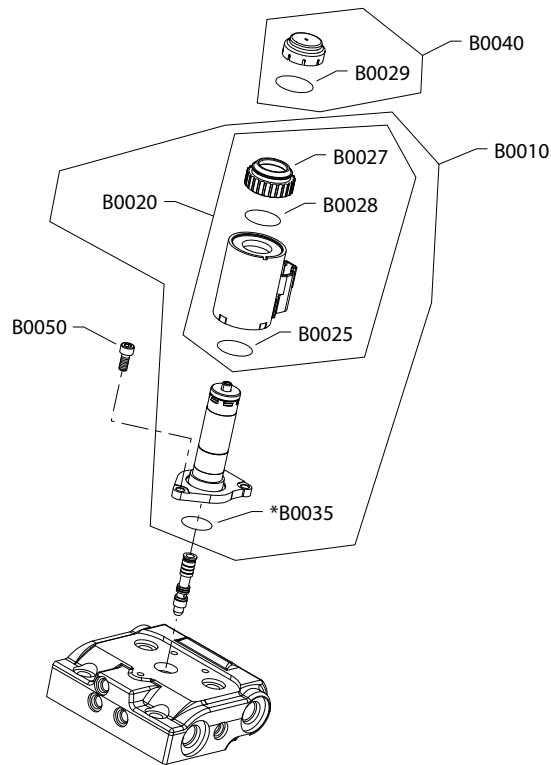
Order code: LH

B0010	14-37		11146306	Actuator assembly	1
B0050	14-37		716860	Screw, M5 x 12	3
B0060	14-37		140644	Plug assembly	1
B0061	14-37		140644	Plug assembly	1
B0180	14-37		076042 (9003509-0012)	Seal nut, M12	1
B0190	14-37		012575 (9004105-1170)	O-ring	1

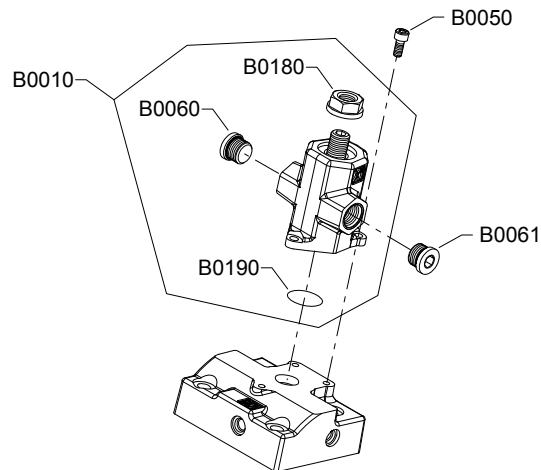
Controls

H1B control M1-MH

M1, M2 configuration



MH configuration



Generic housing used to show part location only.

* Included in overhaul seal kit Q210

Controls

Order code: M1

Item	Date Begin	Date End	Part Number	Part Name	Qty. per Model/Kit
B0010	08-14		149053	Solenoid valve, proportional, 12 volt	1
B0020	08-14		11031746	Coil kit, 12 volt	1
B0025	08-14		11004735	O-ring	1
B0027	08-14		11004749	Coil nut	1
B0028	08-14		063172	O-ring	1
B0029	08-14		11037174	O-ring	1
B0035	08-14		11001952	O-ring	1
B0040	08-14		11014185	Plastic cap	1
B0050	08-14		716860	Screw, M5 x 12	3

Order code: M2

B0010	08-14		11002705	Solenoid valve, proportional, 24 volt	1
B0020	08-14		11031749	Coil kit, 24 volt	1
B0025	08-14		11004735	O-ring	1
B0027	08-14		11004749	Coil nut	1
B0028	08-14		063172	O-ring	1
B0029	08-14		11037174	O-ring	1
B0035	08-14		11001952	O-ring	1
B0040	08-14		11014185	Plastic cap	1
B0050	08-14		716860	Screw, M5 x 12	3

Order code: MH

B0010	14-23		11146306	Actuator assembly	1
B0050	14-23		716860	Screw, M5 x 12	3
B0060	14-23		140644	Plug assembly	1
B0061	14-23		140644	Plug assembly	1
B0180	14-23		076042 (9003509-0012)	Seal nut, M12	1
B0190	14-23		012575 (9004105-1170)	O-ring	1

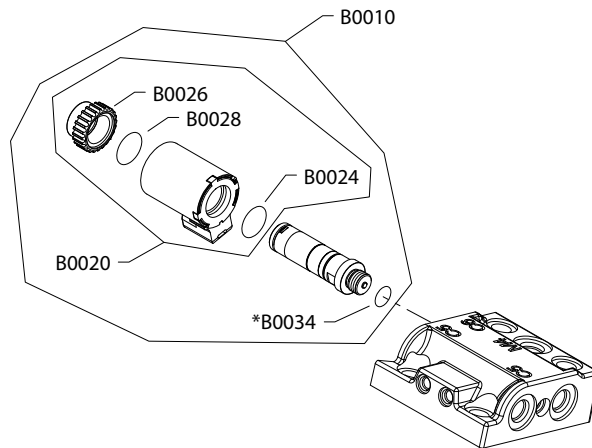
Order code: N1, NA, NB

No parts

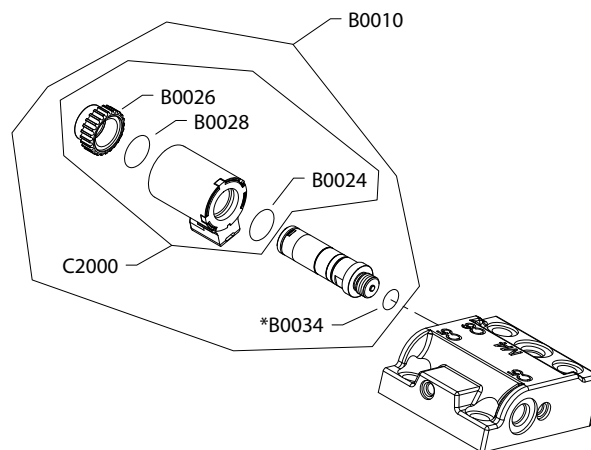
Controls

H1B control P1-T2

P1 and P2 configuration



T1 and T2 configuration



Generic housings used to show part location only.

* Included in overhaul seal kit Q210

Controls

Order code: P1

Item	Date Begin	Date End	Part Number	Part Name	Qty. per Model/Kit
B0010	08-14		11013613	Solenoid valve, proportional, 12 volt	1
B0020	08-14		11031751	Coil kit, 12 volt	1
B0024	08-14		11031608	O-ring	1
B0026	08-14		11027046	Coil nut	1
B0028	08-14		063172	O-ring	1
B0034	08-14		085043 (9004201-3700)	O-ring	1

Order code: P2

B0010	08-14		11013614	Solenoid valve, proportional, 24 volt	1
B0020	08-14		11031762	Coil kit, 24 volt	1
B0024	08-14		11031608	O-ring	1
B0026	08-14		11027046	Coil nut	1
B0028	08-14		063172	O-ring	1
B0034	08-14		085043 (9004201-3700)	O-ring	1

Order code: T1

B0010	08-14		11013615	Solenoid, on/off, 12 volt	1
B0024	08-14		11031608	O-ring	1
B0026	08-14		11027046	Coil nut	1
B0028	08-14		063172	O-ring	1
B0034	08-14		085043 (9004201-3700)	O-ring	1
C2000	08-14		11031763	Coil kit, 12 volt	1

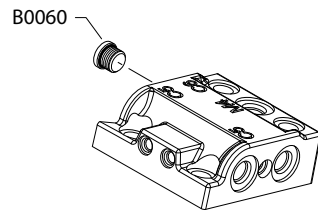
Order code: T2

B0010	08-14		11013616	Solenoid, on/off, 24 volt	1
B0024	08-14		11031608	O-ring	1
B0026	08-14		11027046	Coil nut	1
B0028	08-14		063172	O-ring	1
B0034	08-14		085043 (9004201-3700)	O-ring	1
C2000	08-14		11031764	Coil kit, 24 volt	1

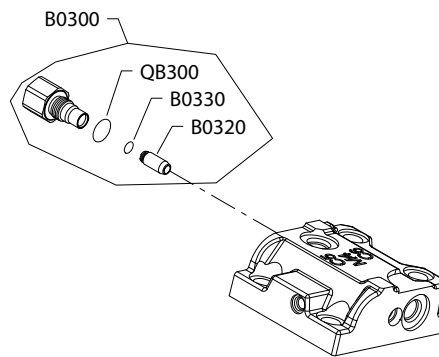
Controls

H1B control TA, TH

TA configuration



TH configuration



Generic housings used to show part location only.

* Included in overhaul seal kit Q210

Controls

Order code: TA

Item	Date Begin	Date Begin	Part Number	Part Name	Qty. per Model/Kit
B0060	11-46		140644	Plug assembly	1

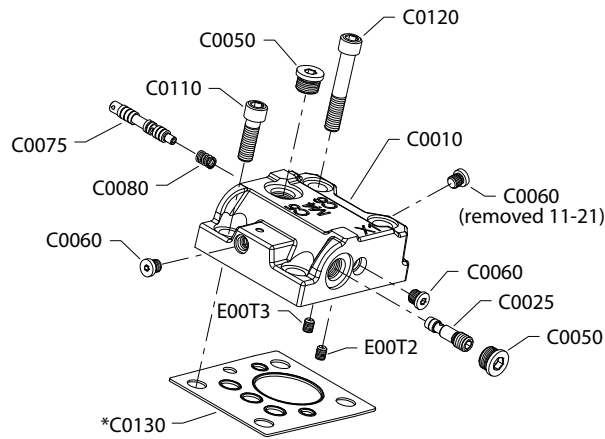
Order code: TH

B0300	15-27		11157844	PCOR override adapter assembly	1
B0320	15-27		11157843	Sensing spool	1
B0330	15-27		11164139	O-ring	1
QB300	15-27		085043 (9004201-3700)	O-ring	1

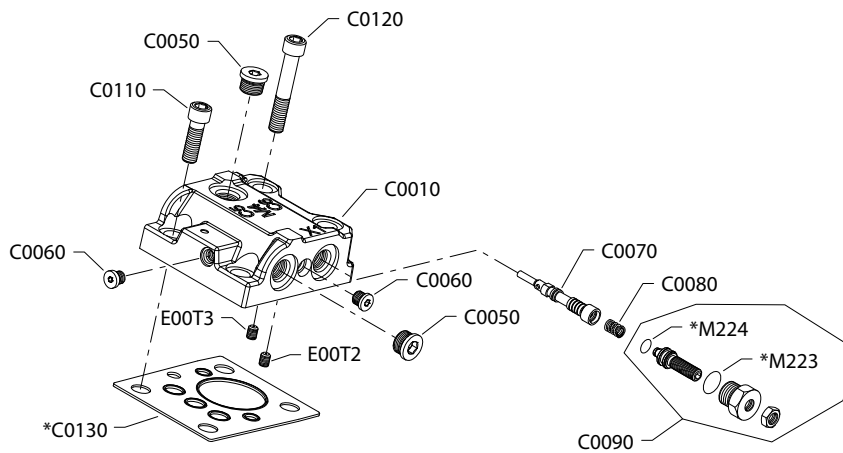
Servo pressure supply

H1B servo pressure AA, AD

AA configuration



AD configuration



* Included in overhaul seal kit Q210

Servo pressure supply

Order code: AA

Item	Date Begin	Date End	Part Number	Part Name	Qty. per Model/Kit
C0010	08-14		11086113	Control housing, 2-position (SAE)	1
C0025	08-14		11000893	Shuttle valve assembly	1
C0050	08-14		140644	Plug assembly (SAE)	2
C0060	11-22		11040532	Plug assembly	2
C0060	08-14	11-21	11040532	Plug assembly	3
C0075	08-14		11016166	Spool	1
C0080	08-14		11160236	Spring (SAE)	1
C0110	08-14		737866 (9007314-1207)	Screw, M12 x 30	2
C0120	08-14		283325 (9007314-1211)	Screw, M12 x 50	2
C0130	08-14		11016168	Control seal	1

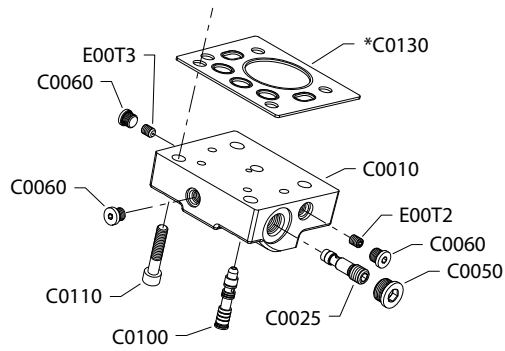
Order code: AD

C0010	12-14		11110070	Control housing, 2-position	1
C0050	12-14		140644	Plug assembly (SAE)	2
C0060	11-22		11040532	Plug assembly	2
C0070	12-14		11016228	Spool	1
C0080	12-14		11160236	Spring (SAE)	1
C0090	12-14		509360	Adjuster	1
C0110	12-14		737866 (9007314-1207)	Screw, M12 x 30	2
C0120	12-14		283325 (9007314-1211)	Screw, M12 x 50	2
C0130	12-14		11016168	Control seal	1
M223	12-14		085043 (9004201-3700)	O-ring	1
M224	12-14		11197086	O-ring	1

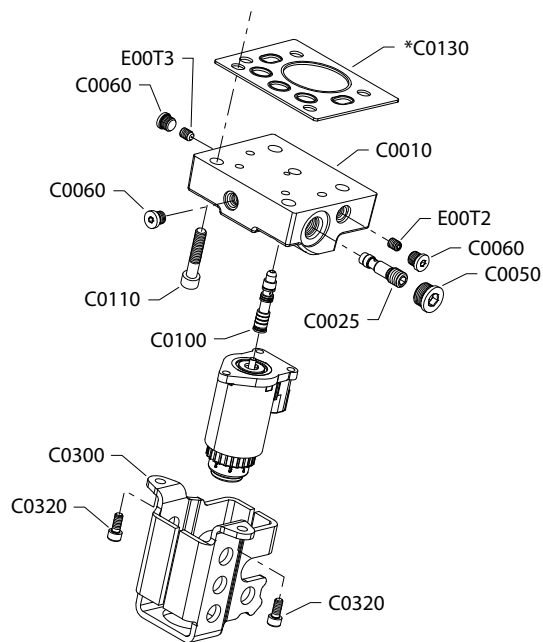
Servo pressure supply

H1B servo pressure BA, BB

BA configuration



BB configuration



* Included in overhaul seal kit Q210

Servo pressure supply

Option BA and BB are available in SAE and metric. Please order accordingly.

Order code: BA

Item	Date Begin	Date End	Part Number	Part Name	Qty. per Model/Kit
C0010	08-14		149057	Control housing, proportional (SAE)	1
C0010	15-45		11161819	Control housing, proportional (metric)	1
C0025	08-14		11000893	Shuttle valve assembly	1
C0050	08-14		140644	Plug assembly (SAE)	1
C0050	15-45		11178808	Plug assembly (metric)	1
C0060	08-14		11040532	Plug assembly	3
C0100	08-14		11146871	Spool (SAE)	1
C0100	15-45		11146871	Spool (metric)	1
C0110	08-14		710855	Screw, M8 x 35	4
C0130	08-14		149040	Control seal	1

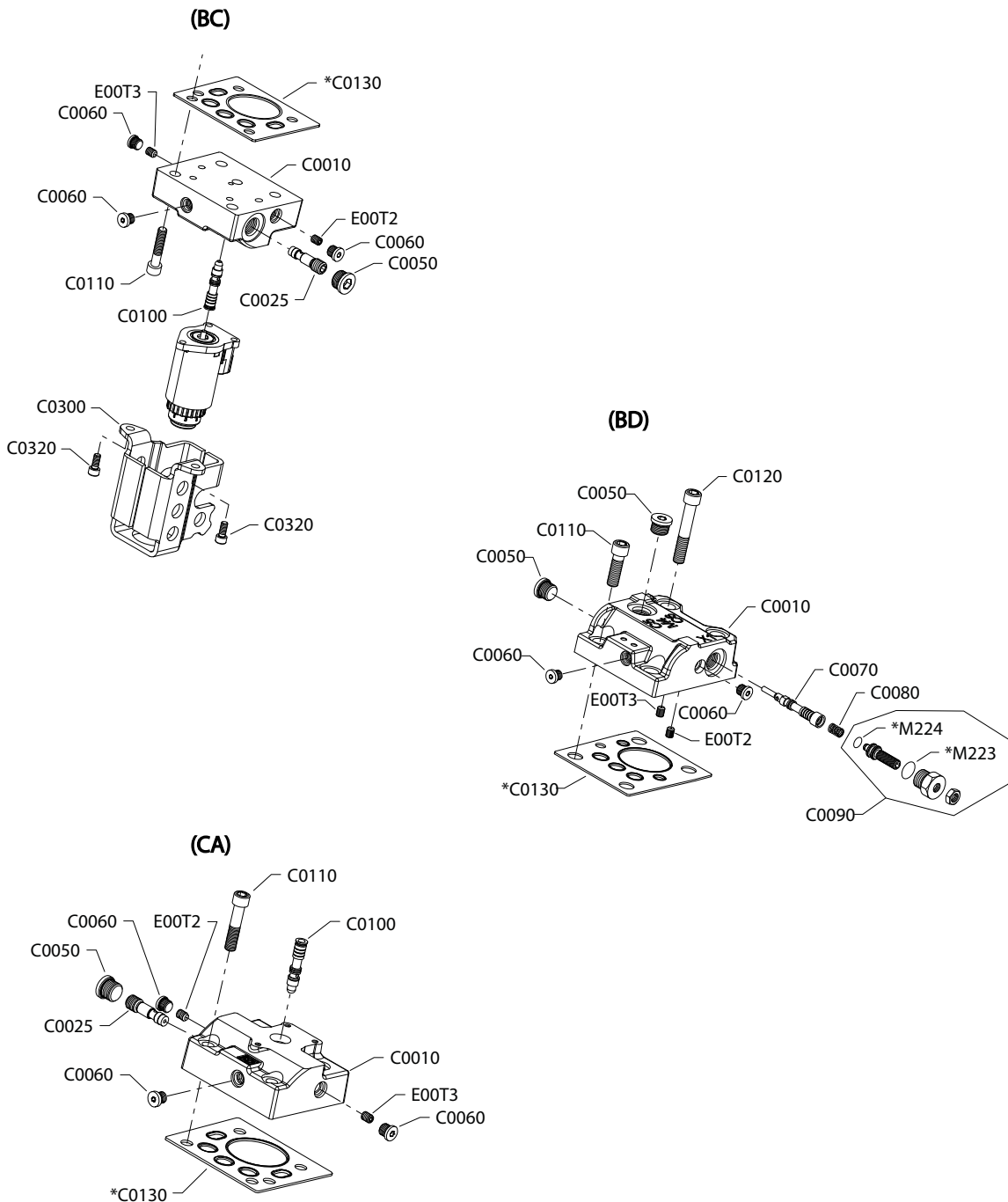
Order code: BB

C0010	12-24		11116918	Control housing, proportional (SAE)	1
C0025	12-24		11000893	Shuttle valve assembly	1
C0050	12-24		140644	Plug assembly (SAE)	1
C0060	12-24		11040532	Plug assembly	3
C0100	12-24		11146871	Spool (SAE)	1
C0110	12-24		710855	Screw, M8 x 35	4
C0130	12-24		149040	Control seal	1
C0300	12-24		11086158	Protective cover	1
C0320	12-24		395822	Screw, M6 x 12mm	2

Servo pressure supply

H1B servo pressure BC, BD, CA

Parts configuration



* Included in overhaul seal kit Q210

Option BC is only available in metric configuration. Option CA is available in both SAE and metric configurations. Please order accordingly.

Servo pressure supply

Order code: BC

Item	Date Begin	Date End	Part Number	Part Name	Qty. per Model/Kit
C0010	16-38		11169197	Control housing, proportional (metric)	1
C0025	16-38		11000893	Shuttle valve assembly	1
C0050	16-38		11178808	Plug assembly (metric)	1
C0060	16-38		11040532	Plug assembly	3
C0100	16-38		11146871	Spool (metric)	1
C0110	16-38		710855	Screw, M8 x 35	4
C0130	16-38		149040	Control seal	1
C0300	16-38		11086158	Protection cover	1
C0320	16-38		395822	Screw, M6 x 12	2

Order code: BD

C0010	12-14		11110071	Control housing, 2-position	1
C0050	12-14		140644	Plug assembly (SAE)	2
C0060	12-14		11040532	Plug assembly	2
C0070	12-14		11016228	Spool	1
C0080	12-14		11160236	Spring (SAE)	1
C0090	12-14		509360	Adjuster	1
C0110	12-14		737866 (9007314-1207)	Screw, M12 x 30	2
C0120	12-14		283325 (9007314-1211)	Screw, M12 x 50	2
C0130	12-14		11016168	Control seal	1
M223	12-14		085043 (9004201-3700)	O-ring	1
M224	12-14		11197086	O-ring	1

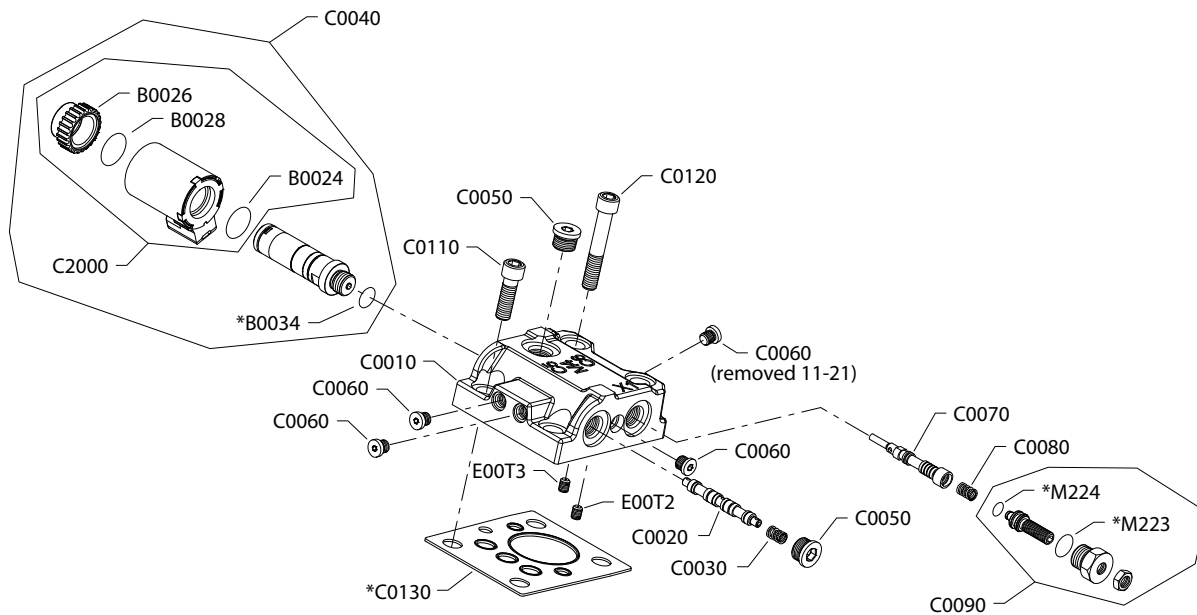
Order code: CA

C0010	08-14		149057	Control housing, proportional (SAE)	1
C0010	15-45		11161819	Control housing, proportional (metric)	1
C0025	08-14		11000893	Shuttle valve assembly	1
C0050	08-14		140644	Plug assembly (SAE)	1
C0050	15-45		11178808	Plug assembly (metric)	1
C0060	08-14		11040532	Plug assembly	3
C0100	08-14		11146871	Spool (SAE)	1
C0110	08-14		710855	Screw, M8 x 35	4
C0130	08-14		149040	Control seal	1

Servo pressure supply

H1B servo pressure D1, D2

D1 and D2 configuration



* Included in overhaul seal kit Q210

Servo pressure supply

Order code: D1 and D2 common parts

Item	Date Begin	Date End	Part Number	Part Name	Qty. per Model/Kit
B0024	08-14		11031608	O-ring	1
B0026	08-14		11027046	Coil nut	1
B0028	08-14		063172	O-ring	1
B0034	08-14		085043 (9004201-3700)	O-ring	1
C0010	08-14		11086114	Control housing, PCOR	1
C0020	08-14		11016229	Spool	1
C0030	08-14		11160236	Spring	1
C0050	08-14		140644	Plug assembly (SAE)	2
C0060	11-22		11040532	Plug assembly	3
C0060	08-14	11-21	11040532	Plug assembly	4
C0070	08-14		11016228	Spool	1
C0080	08-14		11160236	Spring	1
C0090	08-14		509360	Adjuster	1
C0110	08-14		737866 (9007314-1207)	Screw, M12 x 30	2
C0120	08-14		283325 (9007314-1211)	Screw, M12 x 50	2
C0130	08-14		11016168	Control seal	1
M223	08-14		085043 (9004201-3700)	O-ring	1
M224	08-14		11197086	O-ring	1

Order code: D1

C0040	08-14		11013615	Solenoid, on/off, 12 volt	1
C2000	08-14		11031763	Coil kit, 12 volt	1

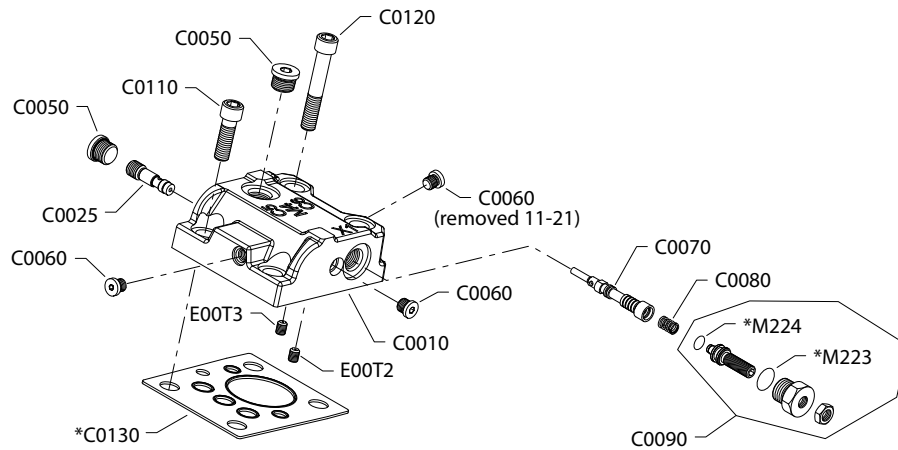
Order code: D2

C0040	08-14		11013616	Solenoid, on/off, 24 volt	1
C2000	08-14		11031764	Coil kit, 24 volt	1

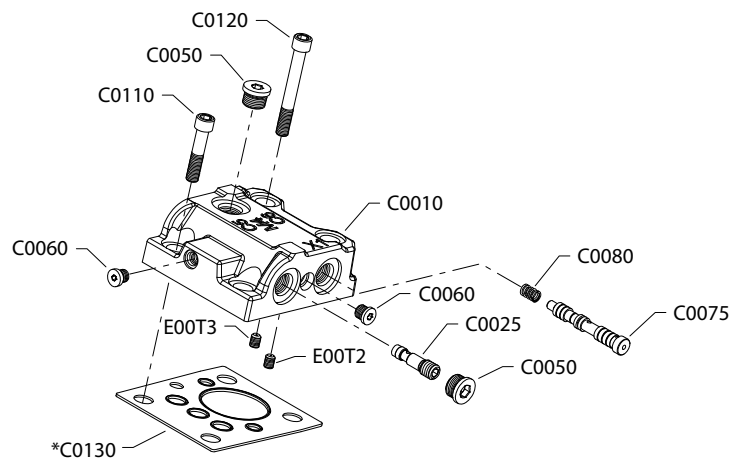
Servo pressure supply

H1B servo pressure DA, EA

DA configuration



EA configuration



* Included in overhaul seal kit Q210

Servo pressure supply

Order code: DA

Item	Date Begin	Date End	Part Number	Part Name	Qty. per Model/Kit
C0010	08-14		11086115	Control housing, PCOR	1
C0025	08-14		11000893	Shuttle valve assembly	1
C0050	08-14		140644	Plug assembly (SAE)	2
C0060	11-22		11040532	Plug assembly	2
C0060	08-14	11-21	11040532	Plug assembly	3
C0070	08-14		11016228	Spool	1
C0080	08-14		11160236	Spring	1
C0090	08-14		509360	Adjuster	1
C0110	08-14		737866 (9007314-1207)	Screw, M12 x 30	2
C0120	08-14		283325 (9007314-1211)	Screw, M12 x 50	2
C0130	08-14		11016168	Control seal	1
M223	08-14		085043 (9004201-3700)	O-ring	1
M224	08-14		11197086	O-ring	1

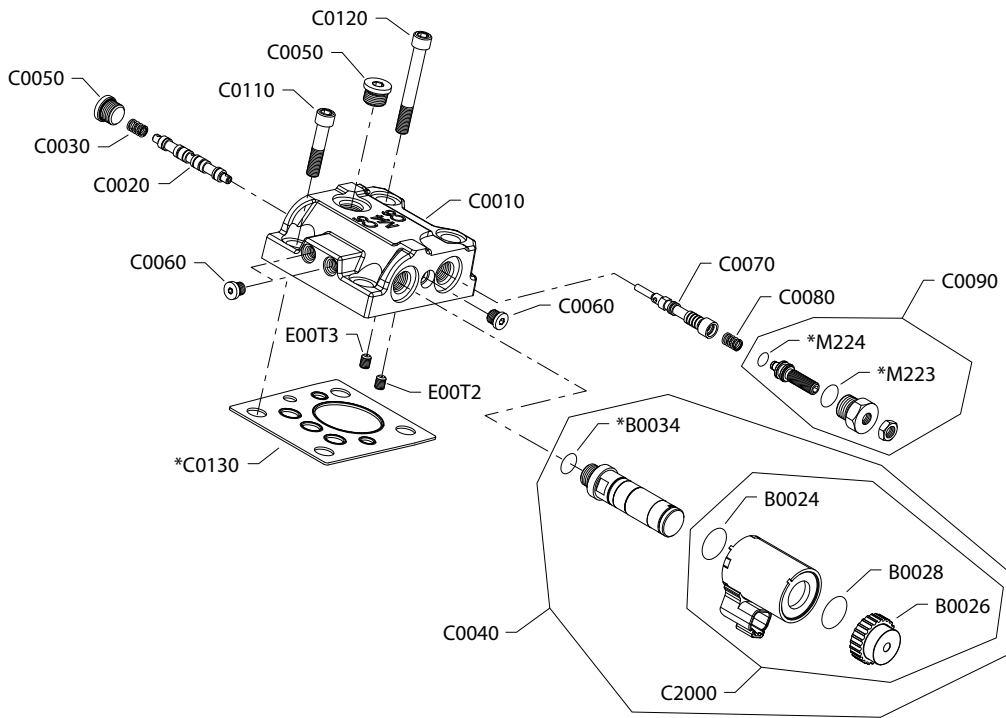
Order code: EA

C0010	11-22		11099281	Control housing, 2-position	1
C0025	11-22		11000893	Shuttle valve assembly	1
C0050	11-22		140644	Plug assembly	1
C0060	11-22		11040532	Plug assembly	2
C0075	11-22		11122114	Spool, 2-position	1
C0080	11-22		11160236	Spring	1
C0110	11-22		737866 (9007314-1207)	Screw, M12 x 30	2
C0120	11-22		283325 (9007314-1211)	Screw, M12 x 50	2
C0130	11-22		11016168	Control seal	1

Servo pressure supply

H1B servo pressure G1, G2

G1 and G2 configuration



* Included in overhaul seal kit Q210

Servo pressure supply

Order code: G1 and G2 common parts

Item	Date Begin	Date End	Part Number	Part Name	Qty. per Model/Kit
B0024	16-07		11031608	O-ring	1
B0026	16-07		11027046	Coil nut	1
B0028	16-07		063172	O-ring	1
B0034	16-07		085043 (9004201-3700)	O-ring	1
C0010	16-07		11173253	Control housing, 2-position	1
C0020	16-07		11016229	Spool	1
C0030	16-07		11160236	Spring	1
C0050	16-07		140644	Plug assembly (SAE)	2
C0060	16-07		11040532	Plug assembly	3
C0070	16-07		11016228	Spool	1
C0080	16-07		11160236	Spring	1
C0090	16-07		509360	Adjuster	1
C0110	16-07		737866 (9007314-1207)	Screw, M12 x 30	2
C0120	16-07		283325 (9007314-1211)	Screw, M12 x 50	2
C0130	16-07		11016168	Control seal	1
M223	16-07		085043 (9004201-3700)	O-ring	1
M224	16-07		11197086	O-ring	1

Order code: G1

C0040	16-07		11013615	Solenoid valve, 12v	1
C200	16-07		11031763	Coil kit, 12 volt	1

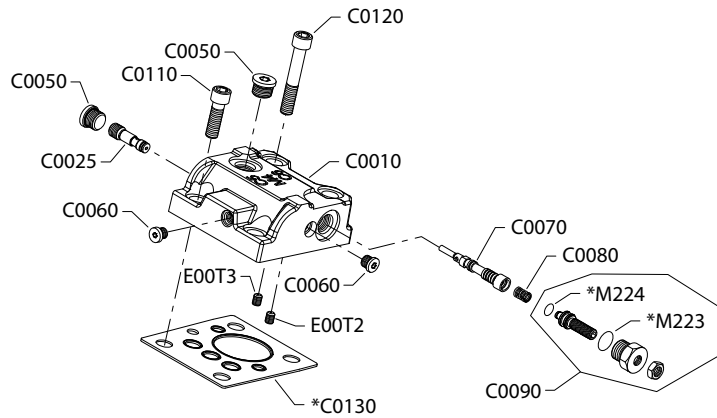
Order code: G2

C0040	16-07		11013616	Solenoid valve, 24v	1
C2000	16-07		11031764	Coil kit, 24 volt	1

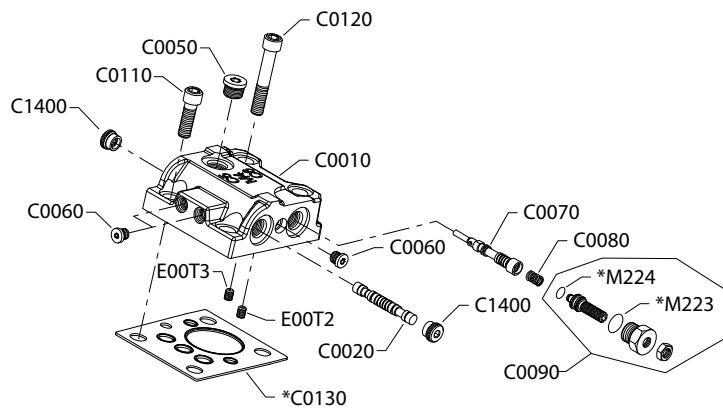
Servo pressure supply

H1B servo pressure HA, HB, HC

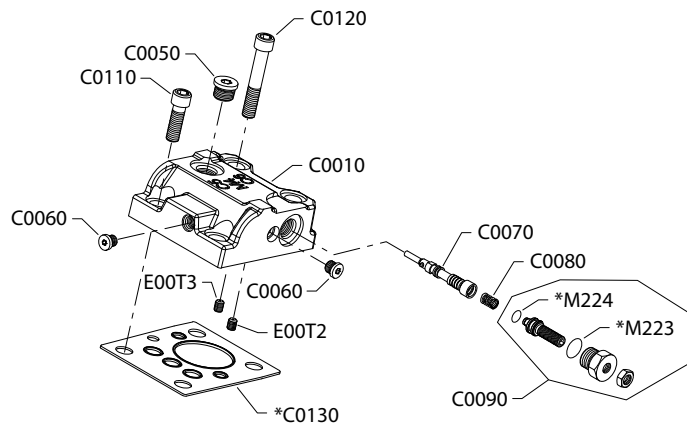
HA configuration



HB configuration



HC configuration



* Included in overhaul seal kit Q210

Servo pressure supply

Order code: Common parts

Item	Date Begin	Date End	Part Number	Part Name	Qty. per Model/Kit
C0070	15-37		11016228	Spool	1
C0080	15-37		11160236	Spring	1
C0090	15-37		509360	Adjuster	1
C0110	15-37		737866 (9007314-1207)	Screw, M12 x 30	2
C0120	15-37		283325 (9007314-1211)	Screw, M12 x 50	2
C0130	15-37		11016168	Control seal	1
M223	15-37		085043 (9004201-3700)	O-ring	1
M224	15-37		11197086	O-ring	1

Order code: HA

C0010	15-37		11162117	Control housing, 2-position	1
C0025	15-37		11000893	Shuttle valve assembly	1
C0050	15-37		140644	Plug assembly	2
C0060	15-37		11040532	Plug assembly	2

Order code: HB

C0010	15-37		11162118	Control housing, 2-position	1
C0020	15-37		11162120	Spool	1
C0050	15-37		140644	Plug assembly	1
C0060	15-37		11040532	Plug assembly	3

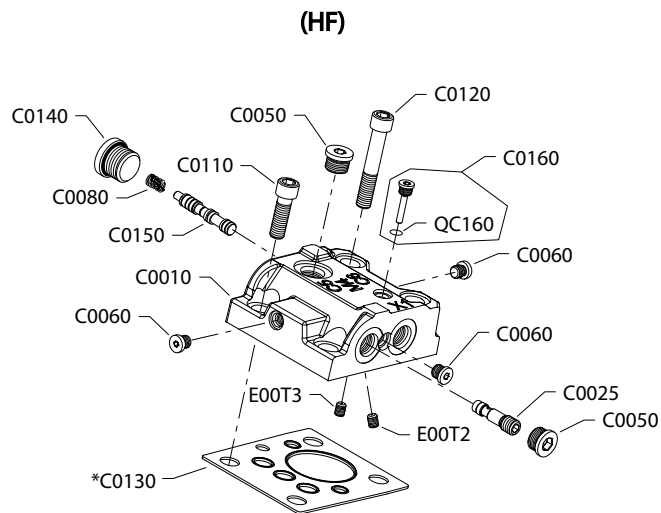
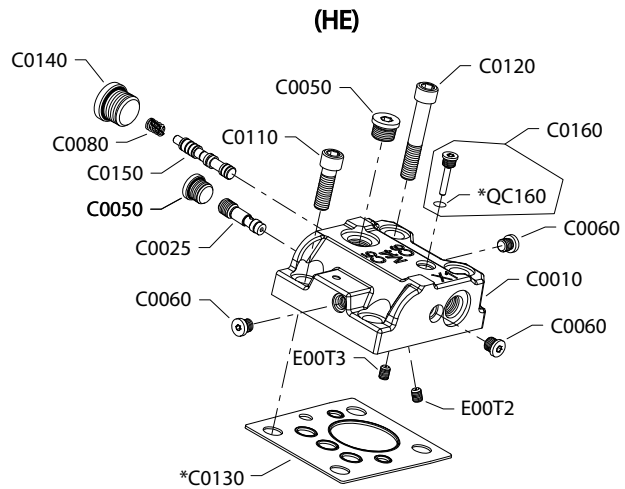
Order code: HC

C0010	15-37		11162119	Control housing, 2-position	1
C0050	15-37		140644	Plug assembly	1
C0060	15-37		11040532	Plug assembly	2

Servo pressure supply

H1B servo pressure HE, HF

HE and HF configuration



* Included in overhaul seal kit Q210

Option HE is available in SAE and metric. Please order accordingly.

Servo pressure supply

Order code: HE and HF common parts

Item	Date Begin	Date End	Part Number	Part Name	Qty. per Model/Kit
C0025	08-14		11000893	Shuttle valve assembly	1
C0060	08-14		11040532	Plug assembly	3
C0110	08-14		737866 (9007314-1207)	Screw, M12 x 30	2
C0120	08-14		283325 (9007314-1211)	Screw, M12 x 50	2
C0130	08-14		11016168	Control seal	1
C0150	08-14		11068172	Spool	1
C0160	08-14		511244	Plug assembly	1
QC160	08-14		039297 (9004201-1200)	O-ring	1

Order code: HE

C0010	08-14		11086117	Control housing, 2-position (SAE)	1
C0010	08-14		11175039	Control housing, 2-position (metric)	1
C0050	08-14		140644	Plug assembly (SAE)	2
C0050	08-14		11178808	Plug assembly (metric)	2
C0080	08-14		11160236	Spring (SAE)	1
C0080	08-14		11160236	Spring (metric)	1
C0140	08-14		315325 (9005110-8700)	Plug assembly (SAE)	1
C0140	08-14		315325	Plug assembly (metric)	1

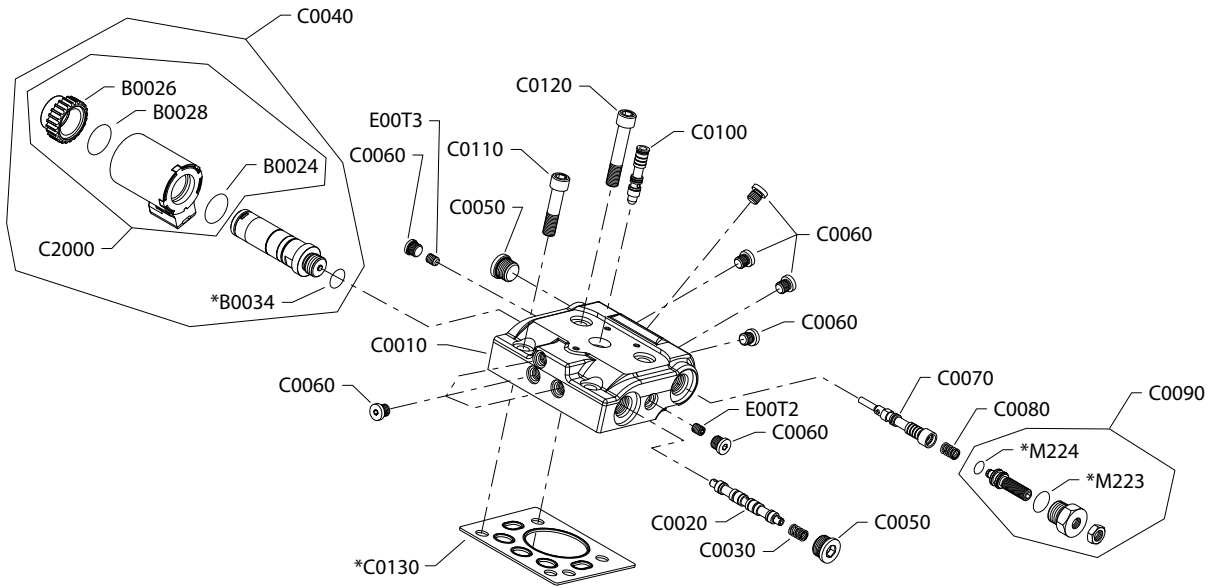
Order code: HF

C0010	08-14		11086118	Control housing, 2-position (SAE)	1
C0050	08-14		140644	Plug assembly (SAE)	2
C0080	08-14		11160236	Spring (SAE)	1
C0140	08-14		315325 (9005110-8700)	Plug assembly (SAE)	1

Servo pressure supply

H1B servo pressure K1, K2

K1 and K2 configuration



* Included in overhaul seal kit Q210

Servo pressure supply

Order code: K1 and K2 common parts

Item	Date Begin	Date End	Part Number	Part Name	Qty. per Model/Kit
B0024	08-14		11031608	O-ring	1
B0026	08-14		11027046	Coil nut	1
B0028	08-14		063172	O-ring	1
B0034	08-14		085043 (9004201-3700)	O-ring	1
C0010	08-14		11026748	Control housing, proportional, PCOR	1
C0020	08-14		11026792	Spool	1
C0030	08-14		11160236	Spring	1
C0050	08-14		140644	Plug assembly (SAE)	2
C0060	08-14		11040532	Plug assembly	9
C0070	08-14		11026751	Spool	1
C0080	08-14		11160236	Spring	1
C0090	08-14		509360	Adjuster	1
C0100	08-14		11146871	Spool	1
C0110	08-14		710855	Screw, M8 x 35	2
C0120	08-14		746644 (9007314-0810)	Screw, M8 x 45	2
C0130	08-14		149040	Control seal	1
M223	08-14		085043 (9004201-3700)	O-ring	1
M224	08-14		11197086	O-ring	1

Order code: K1

C0040	08-14		11013615	Solenoid, on/off, 12 volt	1
C2000	08-14		11031763	Coil kit, 12 volt	1

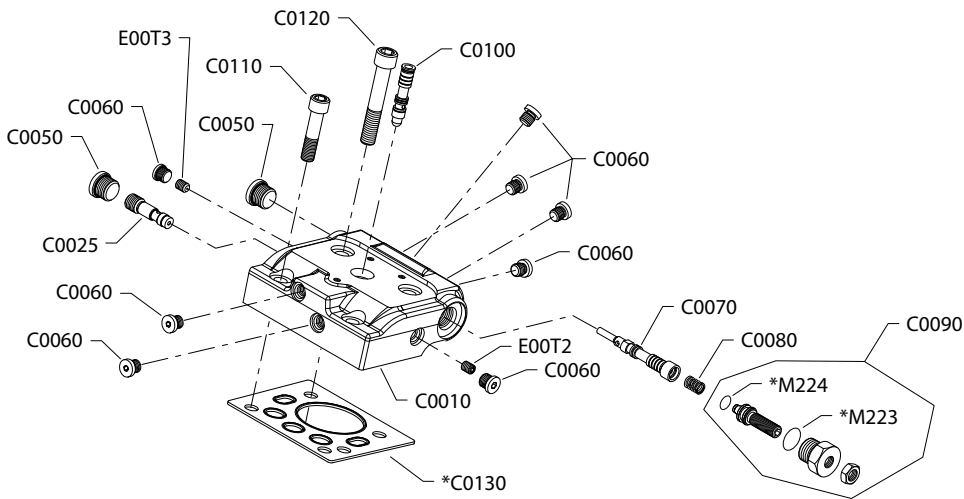
Order code: K2

C0040	08-14		11013616	Solenoid, on/off, 24 volt	1
C2000	08-14		11031764	Coil kit, 24 volt	1

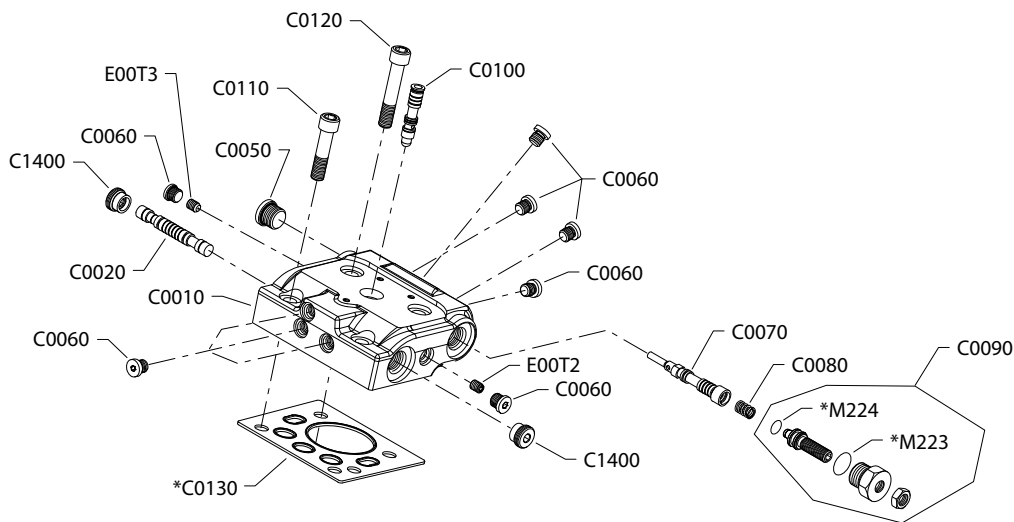
Servo pressure supply

H1B servo pressure KA, KH

KA configuration



KH configuration



* Included in overhaul seal kit Q210

Servo pressure supply

Order code: KA

Item	Date Begin		Part Number	Part Name	Qty. per Model/Kit
C0010	08-14		11026749	Control housing, proportional, PCOR	1
C0025	08-14		11000893	Shuttle valve assembly	1
C0050	08-14		140644	Plug assembly (SAE)	2
C0060	08-14		11040532	Plug assembly	8
C0070	08-14		11026751	Spool	1
C0080	08-14		11160236	Spring	1
C0090	08-14		509360	Adjuster	1
C100	08-14		11146871	Spool	1
C0110	08-14		710855	Screw, M8 x 35	2
C0120	08-14		746644 (9007314-0810)	Screw, M8 x 45	2
C0130	08-14		149040	Control seal	1
M223	08-14		085043 (9004201-3700)	O-ring	1
M224	08-14		11197086	O-ring	1

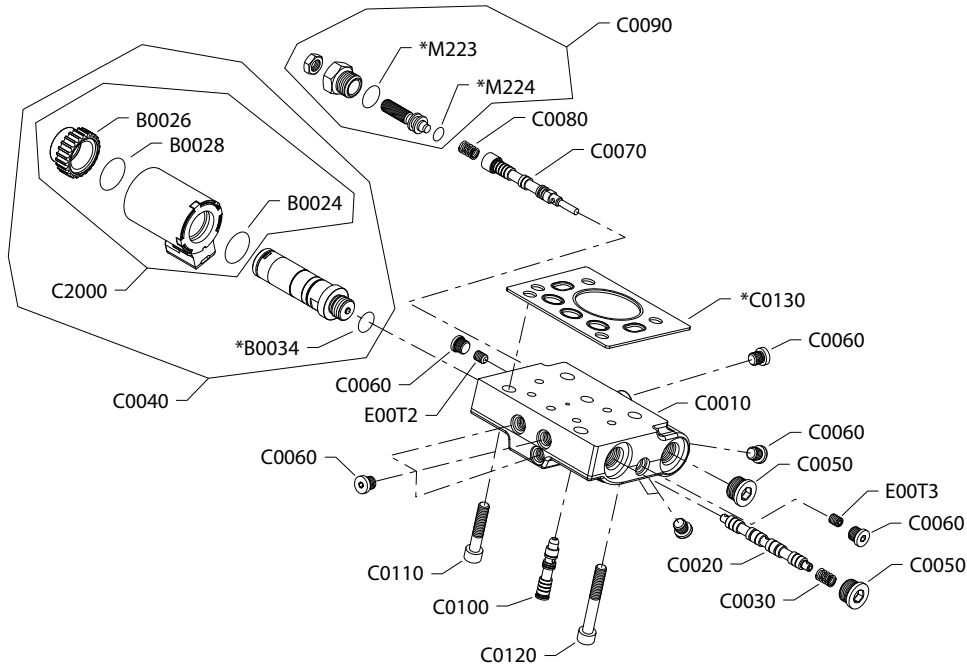
Order code: KH

C0010	15-48		11161283	Control housing, proportional, PCOR	1
C0020	15-48		11151818	Spool	1
C0050	15-48		140644	Plug assembly	1
C0060	15-48		11040532	Plug assembly	9
C0070	15-48		11026751	Spool	1
C0080	15-48		11160236	Spring	1
C0090	15-48		509360	Adjuster	1
C100	15-48		11146871	Spool	1
C0110	15-48		710855	Screw, M8 x 35	2
C0120	15-48		746644 (9007314-0810)	Screw, M8 x 45	2
C0130	15-48		149040	Control seal	1
C1400	15-48		11151817	Limiter plug	2
M223	15-48		085043 (9004201-3700)	O-ring	1
M224	15-48		11197086	O-ring	1

Servo pressure supply

H1B servo pressure M1, M2

M1 and M2 configuration



* Included in overhaul seal kit Q210

Servo pressure supply

Order code: M1 and M2 common parts

Item	Date Begin	Date End	Part Number	Part Name	Qty. per Model/Kit
B0024	08-14		11031608	O-ring	1
B0026	08-14		11027046	Coil nut	1
B0028	08-14		063172	O-ring	1
B0034	08-14		085043 (9004201-3700)	O-ring	1
C0010	08-14		11028958	Control housing, proportional, PCOR	1
C0020	08-14		11026792	Spool	1
C0030	08-14		11160236	Spring	1
C0050	08-14		140644	Plug assembly (SAE)	2
C0060	08-14		11040532	Plug assembly	9
C0070	08-14		11028957	Spool	1
C0080	08-14		11160236	Spring	1
C0090	08-14		509360	Adjuster	1
C0100	08-14		11146871	Spool	1
C0110	08-14		710855	Screw, M8 x 35	2
C0120	08-14		746644 (9007314-0810)	Screw, M8 x 45	2
C0130	08-14		149040	Control seal	1
M223	08-14		085043 (9004201-3700)	O-ring	1
M224	08-14		11197086	O-ring	1

Order code: M1

C0040	08-14		11013615	Solenoid, on/off, 12 volt	1
C2000	08-14		11031763	Coil kit, 12 volt	1

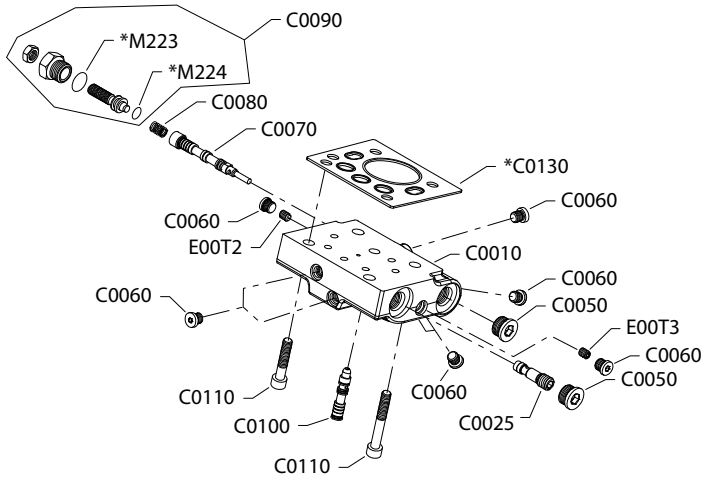
Order code: M2

C0040	08-14		11013616	Solenoid, on/off, 24 volt	1
C2000	08-14		11031764	Coil kit, 24 volt	1

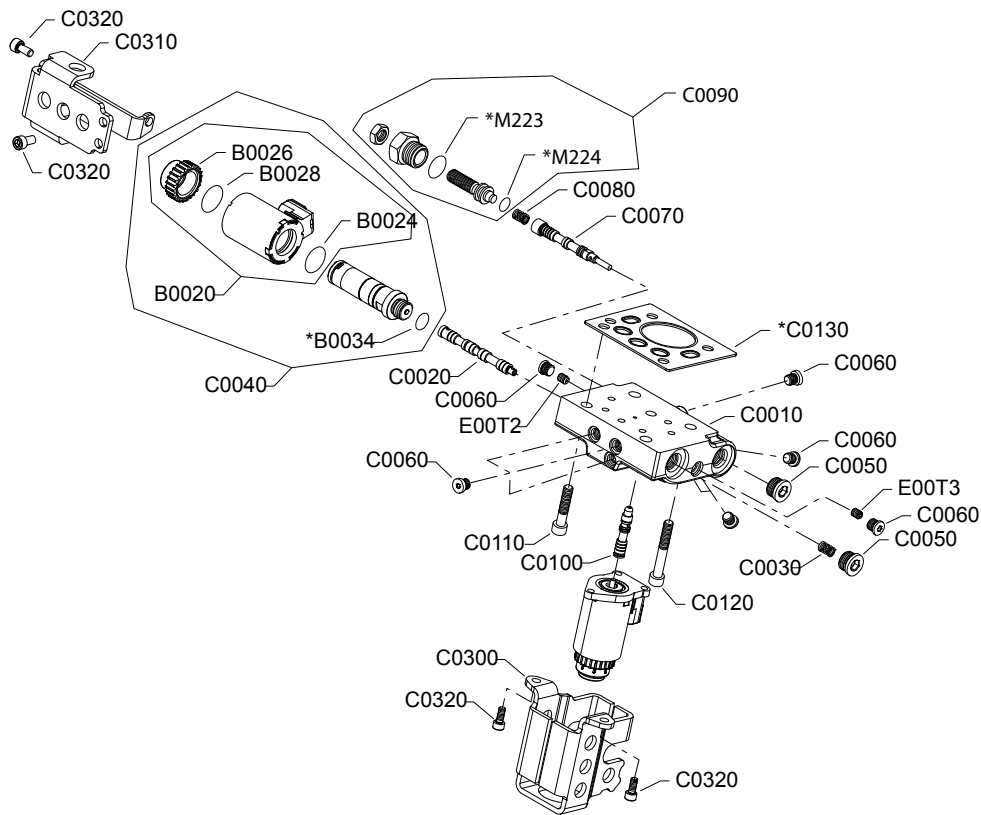
Servo pressure supply

H1B servo pressure MA, MF

MA configuration



MF configuration



* Included in overhaul seal kit Q210

Servo pressure supply

Order code: MA

Item	Date Begin	Date End	Part Number	Part Name	Qty. per Model/Kit
C0010	08-14		11028959	Control housing, proportional, PCOR	1
C0025	08-14		11000893	Shuttle valve assembly	1
C0050	08-14		140644	Plug assembly (SAE)	2
C0060	08-14		11040532	Plug assembly	8
C0070	08-14		11028957	Spool	1
C0080	08-14		11160236	Spring	1
C0090	08-14		509360	Adjuster	1
C0100	08-14		11146871	Spool	1
C0110	08-14		710855	Screw, M8 x 35	2
C0120	08-14		746644 (9007314-0810)	Screw, M8 x 45	2
C0130	08-14		149040	Control seal	1
M223	08-14		085043 (9004201-3700)	O-ring	1
M224	08-14		11197086	O-ring	1

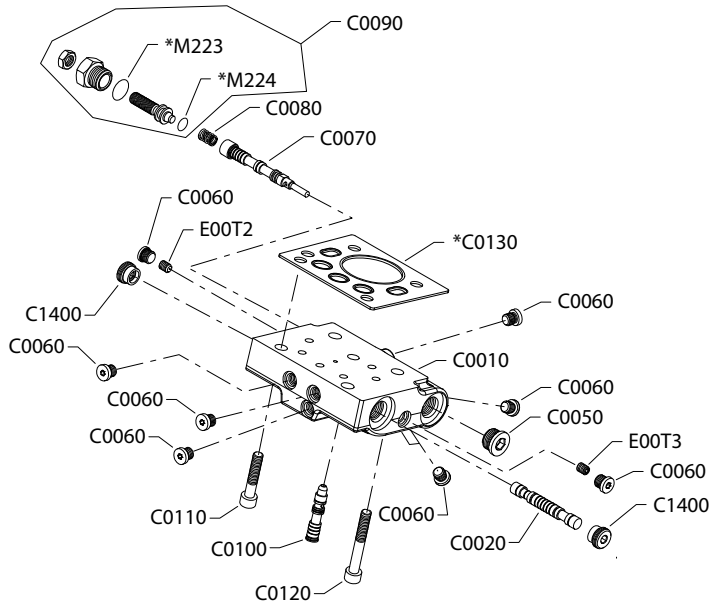
Order code: MF

B0020	12-05		11031763	Coil kit, 12 volt	1
B0024	12-05		11031608	O-ring	1
B0026	12-05		11027046	Coil nut	1
B0028	12-05		063172	O-ring	1
B0034	12-05		085043 (9004201-3700)	O-ring	1
C0010	12-05		11123556	Control housing, proportional, PCOR	1
C0020	12-05		11101616	Spool	1
C0030	12-05		11160236	Spring	1
C0040	12-05		11013615	Solenoid, on/off, 12 volt	1
C0050	12-05		140644	Plug assembly	2
C0060	12-05		11040532	Plug assembly	9
C0070	12-05		11028957	Spool	1
C0080	12-05		11160263	Spring	1
C0090	12-05		509360	Adjuster	1
C0100	12-05		11146871	Spool	1
C0110	12-05		710855	Screw, M8 x 35	2
C0120	12-05		746644 (9007314-0810)	Screw, M8 x 45	2
C0130	12-05		149040	Control seal	1
C0300	12-05		11086158	Protective cover	1
C0310	12-05		11086159	Protective cover	1
C0320	12-05		395822	Screw, M6 x 12mm	4
M223	12-05		085043 (9004201-3700)	O-ring	1
M224	12-05		11197086	O-ring	1

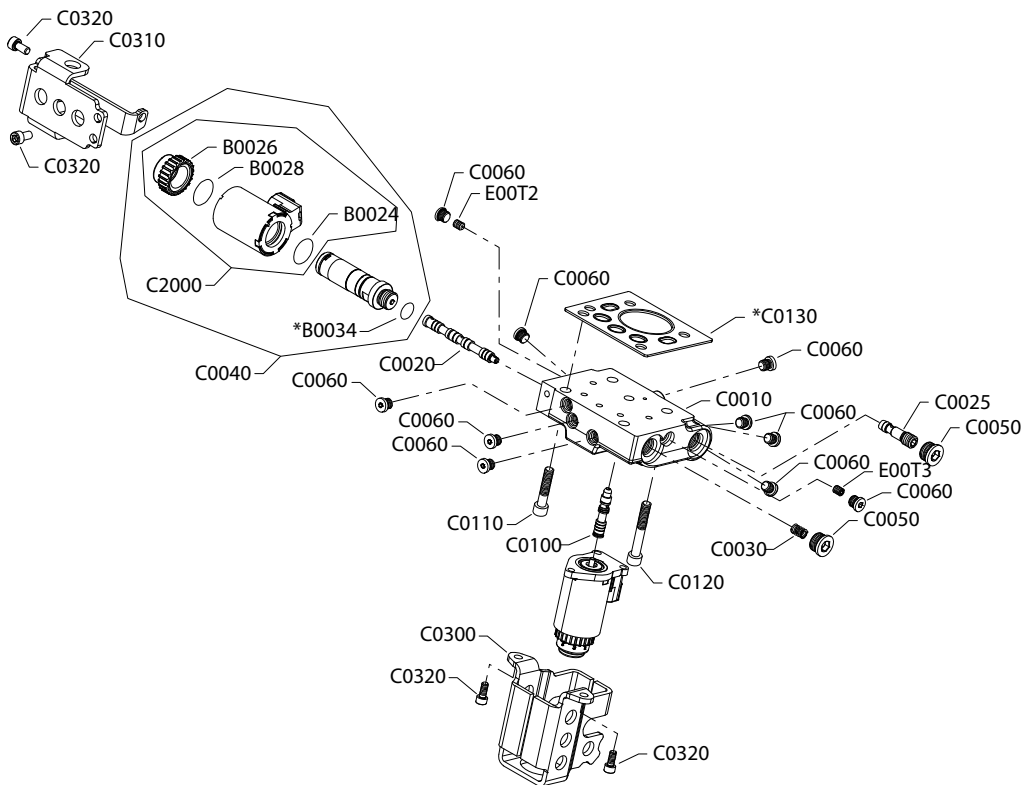
Servo pressure supply

H1B servo pressure MH, MW

MH configuration



MW configuration



* Included in overhaul seal kit Q210

Servo pressure supply

Order code: MH

Item	Date Begin	Date End	Part Number	Part Name	Qty. per Model/Kit
C0010	14-37		11151816	Control housing, proportional, PCOR	1
C0020	14-37		11151818	Spool	1
C0050	14-37		140644	Plug assembly	1
C0060	14-37		11040532	Plug assembly	9
C0070	14-37		11028957	Spool	1
C0080	14-37		11160236	Spring	1
C0090	14-37		509360	Adjuster	1
C0100	14-37		11146871	Spool	1
C0110	14-37		710855	Screw, M8 x 35	2
C0120	14-37		746644 (9007314-0810)	Screw, M8 x 45	2
C0130	14-37		149040	Control seal	1
C1400	14-37		11151817	Limiter plug	2
M223	14-37		085043 (9004201-3700)	O-ring	1
M224	14-37		11197086	O-ring	1

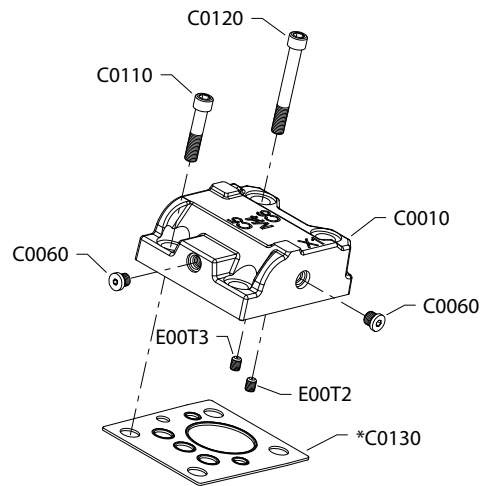
Order code: MW

B0024	12-05		11031608	O-ring	1
B0026	12-05		11027046	Coil nut	1
B0028	12-05		063172	O-ring	1
B0034	12-05		085043 (9004201-3700)	O-ring	1
C0010	12-05		11101720	Control housing, proportional, PCOR	1
C0020	12-05		11101616	Spool	1
C0025	12-05		11000893	Shuttle valve assembly	1
C0030	12-05		11160236	Spring	1
C0040	12-05		11013615	Solenoid, on/off, 12 volt	1
C0050	12-05		140644	Plug assembly	2
C0060	12-05		11146871	Plug assembly	10
C0100	12-05		1146871	Spool	1
C0110	12-05		710855	Screw, M8 x 35	2
C0120	12-05		746644 (9007314-0810)	Screw, M8 x 45	2
C0130	12-05		149040	Control seal	1
C0300	12-05		11086158	Protective cover	1
C0310	12-05		11086159	Protective cover	1
C0320	12-05		395822	Screw, M6 x 12	4
C2000	12-05		11031763	Coil kit, 12 volt	1

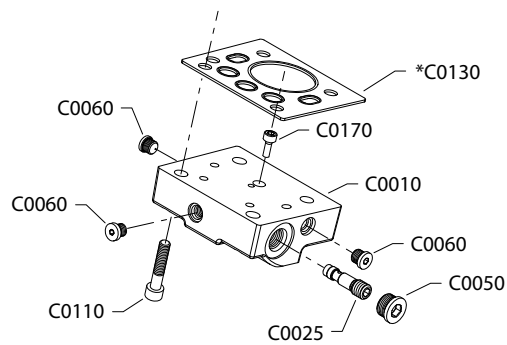
Servo pressure supply

H1B servo pressure NP, NR, NT

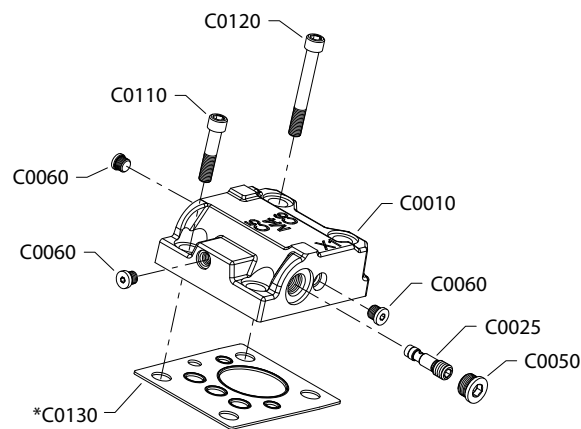
NP configuration



NR configuration



NT configuration



* Included in overhaul seal kit Q210

Servo pressure supply

Order code: NP

Item	Date Begin	Date End	Part Number	Part Name	Qty. per Model/Kit
C0010	08-14		11086116	Control housing, 2-position	1
C0050	08-14		140644	Plug assembly	1
C0060	08-14		11040532	Plug assembly	2
C0110	08-14		737866 (9007314-1207)	Screw, M12 x 30	2
C0120	08-14		283325 (9007314-1211)	Screw, M12 x 50	2
C0130	08-14		11016168	Control seal	1

Order code: NR

C0010	12-42		11123843	Control housing, proportional	1
C0025	12-42		11000893	Shuttle valve	1
C0050	12-42		140644	Plug assembly	1
C0060	12-42		11040532	Plug assembly	3
C0110	12-42		710855	Screw, M8 x 35	2
C0130	12-42		149040	Control seal	1
C0170	12-42		716860	Screw, M5 x 12	1

Order code: NT

C0010	12-42		11123847	Control housing, 2-position	1
C0025	12-42		11000893	Shuttle valve	1
C0050	12-42		140644	Plug assembly	1
C0060	12-42		11040532	Plug assembly	3
C0110	12-42		737866 (9007314-1207)	Screw, M12 x 30	2
C0120	12-42		283325 (9007314-1211)	Screw, M12 x 50	2
C0130	12-42		11016168	Control seal	1

Orifice

H1B orifice A, B, C, D

A-D orifice plugs



[See servo pressure supply drawing for orifice location.](#)

Orifice

Order code: A

Item	Date Begin	Date End	Part Number	Part Name	Qty. per Model/Kit
E00T2	08-14		516598	Orifice plug, 1.2 mm	1
E00T3	08-14		516598	Orifice plug, 1.2 mm	1

Order code: B

E00T2	08-14		578542	Orifice plug, 0.8 mm	1
E00T3	08-14		578542	Orifice plug, 0.8 mm	1

Order code: C

E00T2	08-14		511825	Orifice plug, 0.6 mm	1
E00T3	08-14		511825	Orifice plug, 0.6 mm	1

Order code: D

E00T2	08-14		679316	Orifice plug, 0.5 mm	1
E00T3	08-14		679316	Orifice plug, 0.5 mm	1

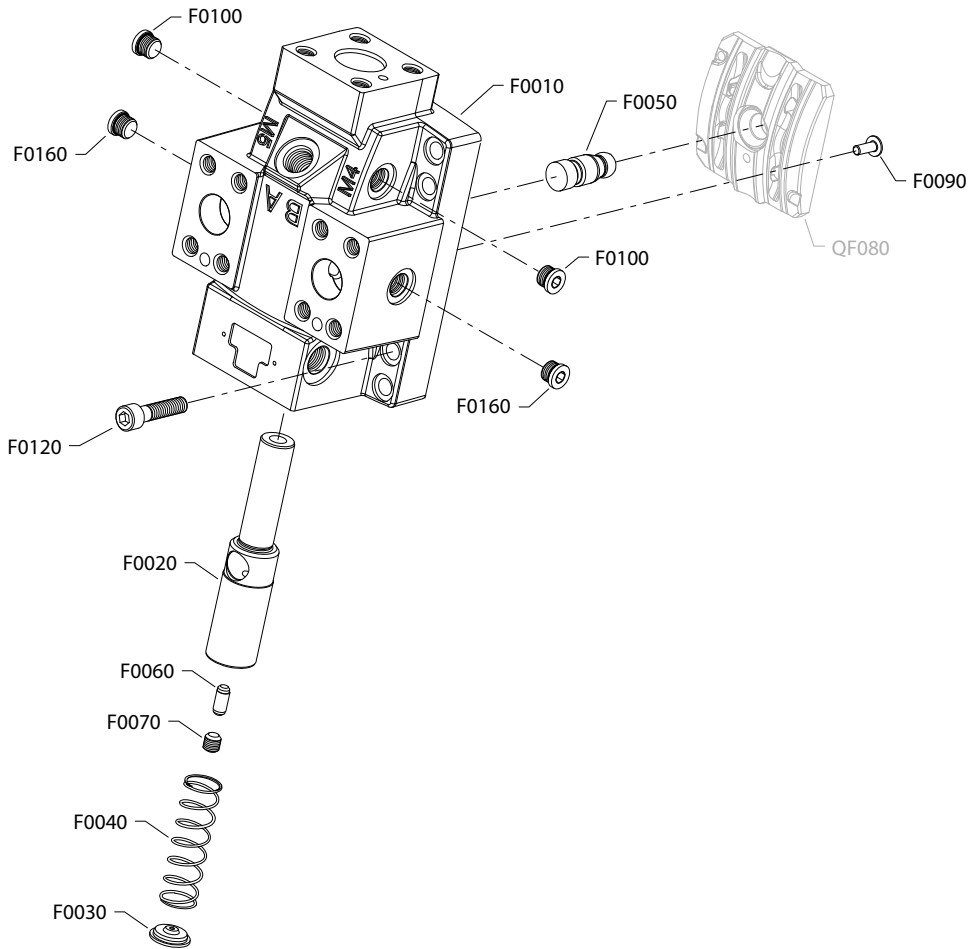
Order code: N

No parts					
----------	--	--	--	--	--

End cap

H1B 110cc end cap PA

PA configuration



End cap

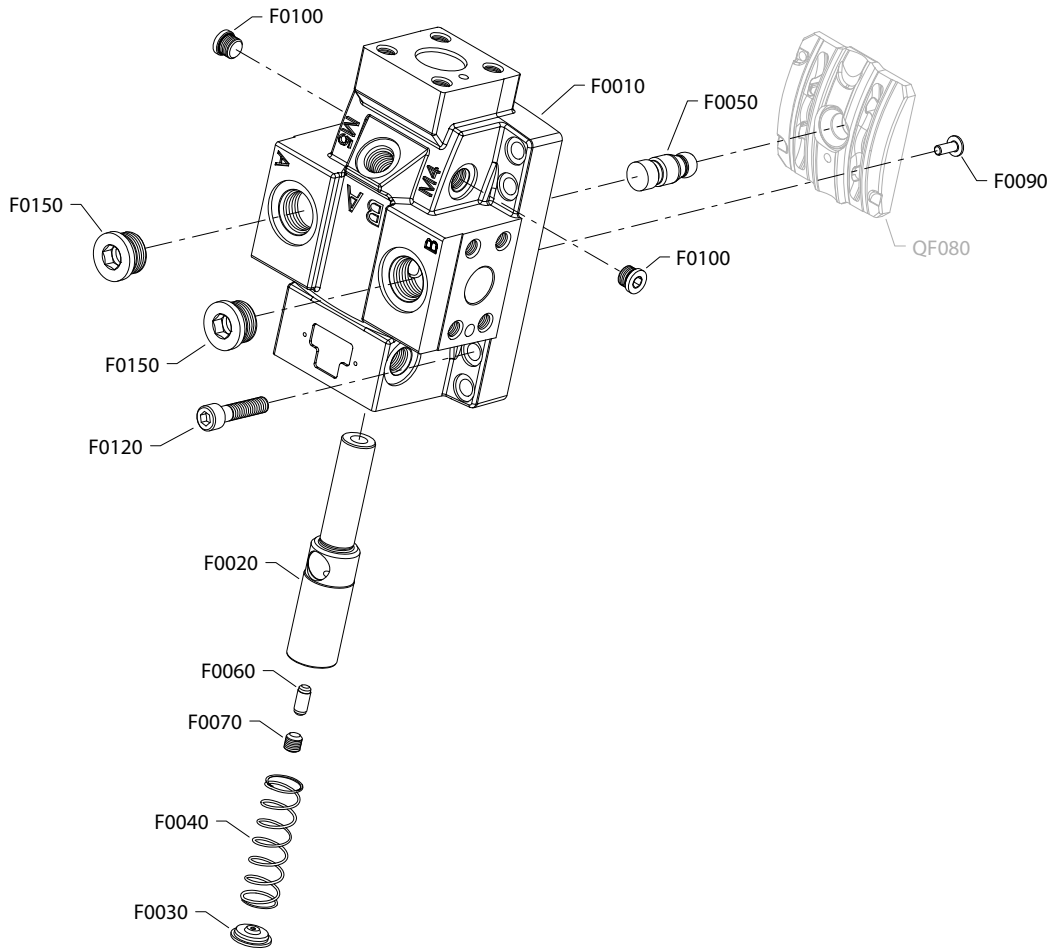
Order code: PA

Item	Date Begin	Date End	Part Number	Part Name	Qty. per Model/Kit
F0010	08-14		149032	End cap, axial ports	1
F0020	08-14		11008794	Servo piston	1
F0030	08-14		11008797	Spring guide	1
F0040	08-14		11160233	Spring	1
F0050	08-14		11008796	Setting lug	1
F0060	08-14		11008915	Setting lug pin	1
F0070	08-14		042465	Set screw, M10 x 10	1
F0090	08-14		11014186	Button head screw	1
F0100	08-14		140644	Plug assembly (SAE)	2
F0120	08-14		283325 (9007314-1211)	Screw, M12 x 50	8
F0160	08-14		140644	Plug assembly	2
QF080	08-14	18-16	11051884	Valve segment assembly SB-2018-028 on page 108	1

End cap

H1B 110cc end cap PB

PB configuration



This option is available in SAE and metric configurations. Please order accordingly.

End cap

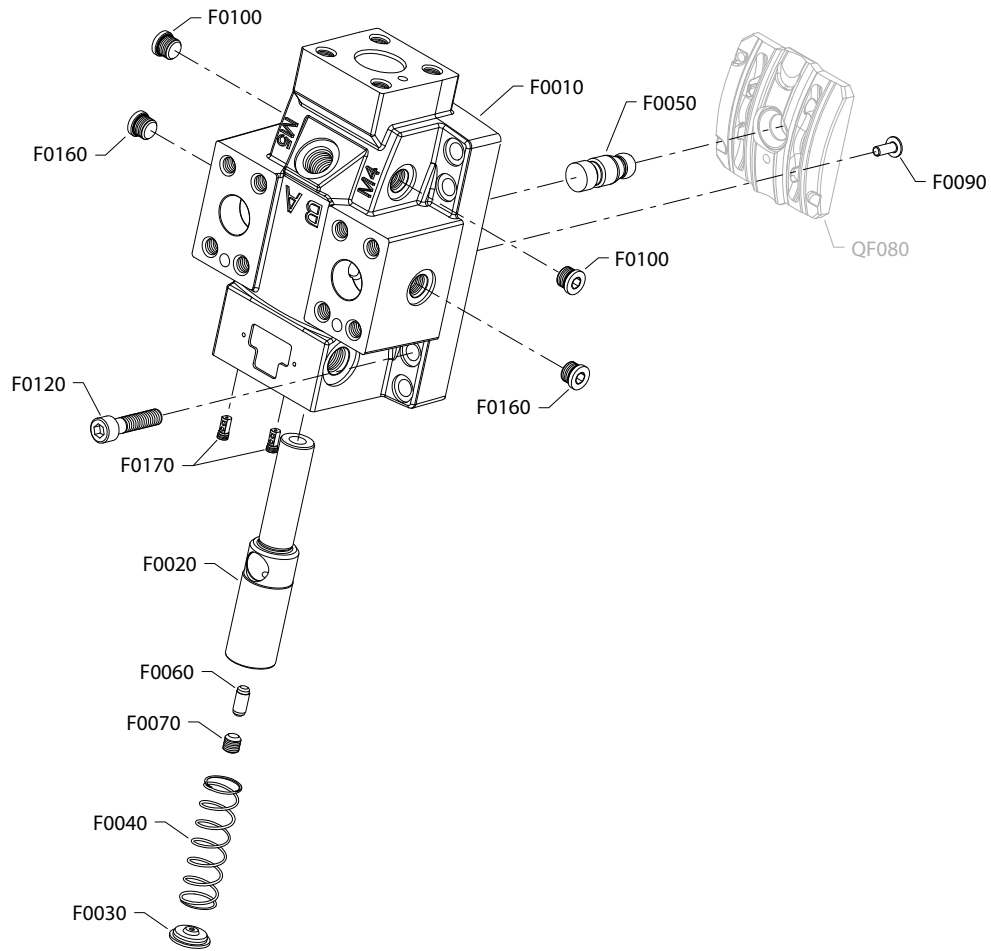
Order code: PB

Item	Date Begin	Date End	Part Number	Part Name	Qty. per Model/Kit
F0010	08-14		149031	End cap, side ports (SAE)	1
F0010	15-45		11161816	End cap, side ports (metric)	1
F0020	08-14		11008794	Servo piston	1
F0030	08-14		11008797	Spring guide	1
F0040	08-14		11160233	Spring	1
F0050	08-14		11008796	Setting lug	1
F0060	08-14		11008915	Setting lug pin	1
F0070	08-14		042465	Set screw, M10 x 10	1
F0090	08-14		11014186	Button head screw	1
F0100	08-14		140644	Plug assembly (SAE)	2
F0100	15-45		11178808	Plug assembly (metric)	2
F0120	08-14		283325 (9007314-1211)	Screw, M12 x 50	8
F0150	08-14		664524 (9005110-9000)	Plug assembly (SAE)	2
F0150	08-14		11134927	Plug assembly (metric)	2
QF080	08-14	18-16	11051884	Valve segment assembly SB-2018-028 on page 108	1

End cap

H1B 110cc end cap PC

PC configuration



End cap

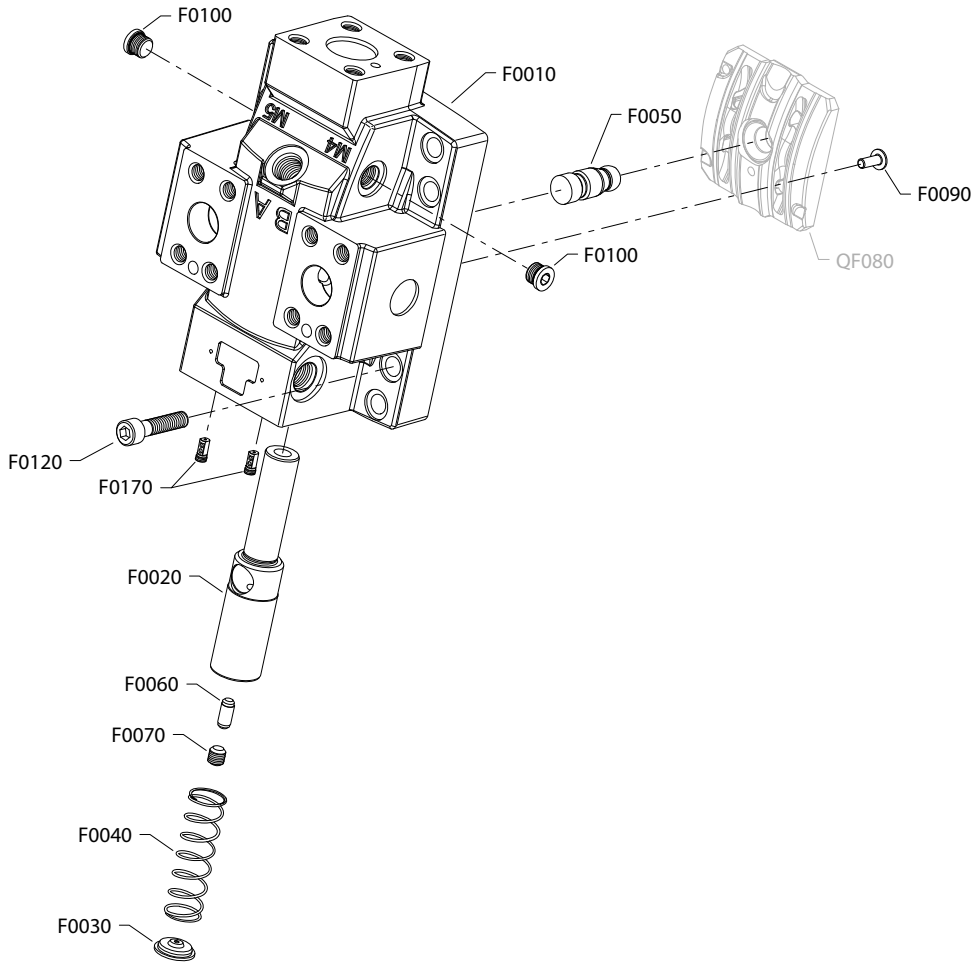
Order code: PC

Item	Date Begin	Date End	Part Number	Part Name	Qty. per Model/Kit
F0010	12-25		11101354	End cap, axial ports	1
F0020	12-25		11008794	Servo piston	1
F0030	12-25		11008797	Spring guide	1
F0040	12-25		11160233	Spring	1
F0050	12-25		11008796	Setting lug	1
F0060	12-25		11008915	Setting lug pin	1
F0070	12-25		042465	Set screw, M10 x 10	1
F0090	12-25		140644	Plug assembly	1
F0100	12-25		140644	Plug assembly	2
F0120	12-25		283325 (9007314-1211)	Screw, M12 x 50	8
F0160	12-25		140644	Plug assembly	2
F0170	12-25		11124768	Edge filter	2
QF080	12-25	18-16	11051884	Valve segment assembly (SB-2018-028 on page 108)	1

End cap

H1B 110cc end cap PD

PD configuration



End cap

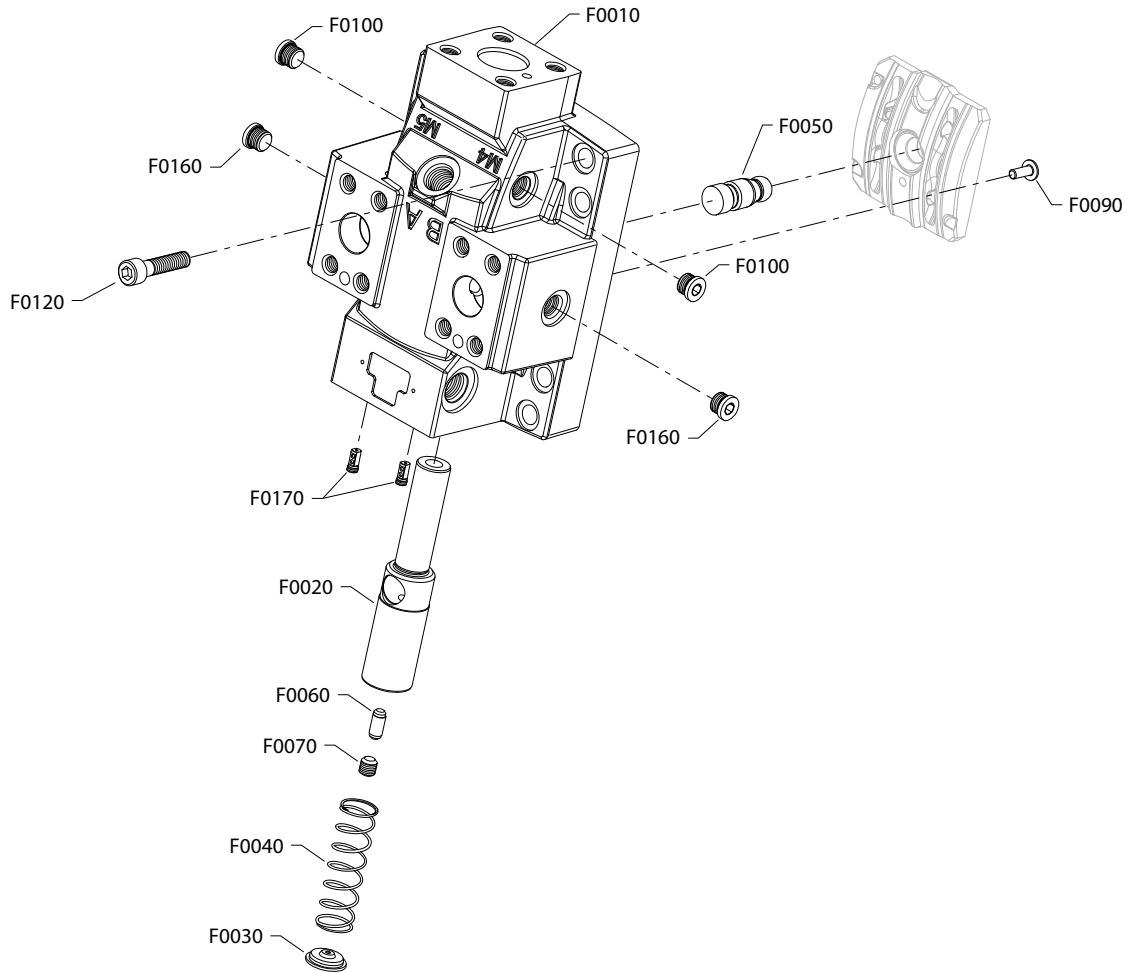
Order code: PD

Item	Date Begin	Date End	Part Number	Part Name	Qty. per Model/Kit
F0010	13-06		11126408	End cap, special	1
F0020	13-06		11008794	Servo piston	1
F0030	13-06		11008797	Spring guide	1
F0040	13-06		11160233	Spring	1
F0060	13-06		11008915	Setting lug pin	1
F0070	13-06		042465	Set screw, M10 x 10	1
F0090	13-06		11014186	Button head screw	1
F0100	13-06		140644	Plug assembly	2
F0120	13-06		283325 (9007314-1211)	Screw, M12 x 50	8
F0170	13-06		11124768	Edge filter	2
F0180	13-06		11145245	Cover assembly	2
QF080	13-06	18-16	11051884	Valve segment assembly (SB-2018-028 on page 108)	1
QF180	13-06		11118915	O-ring	2

End cap

H1B 110cc end cap PF

PF configuration



End cap

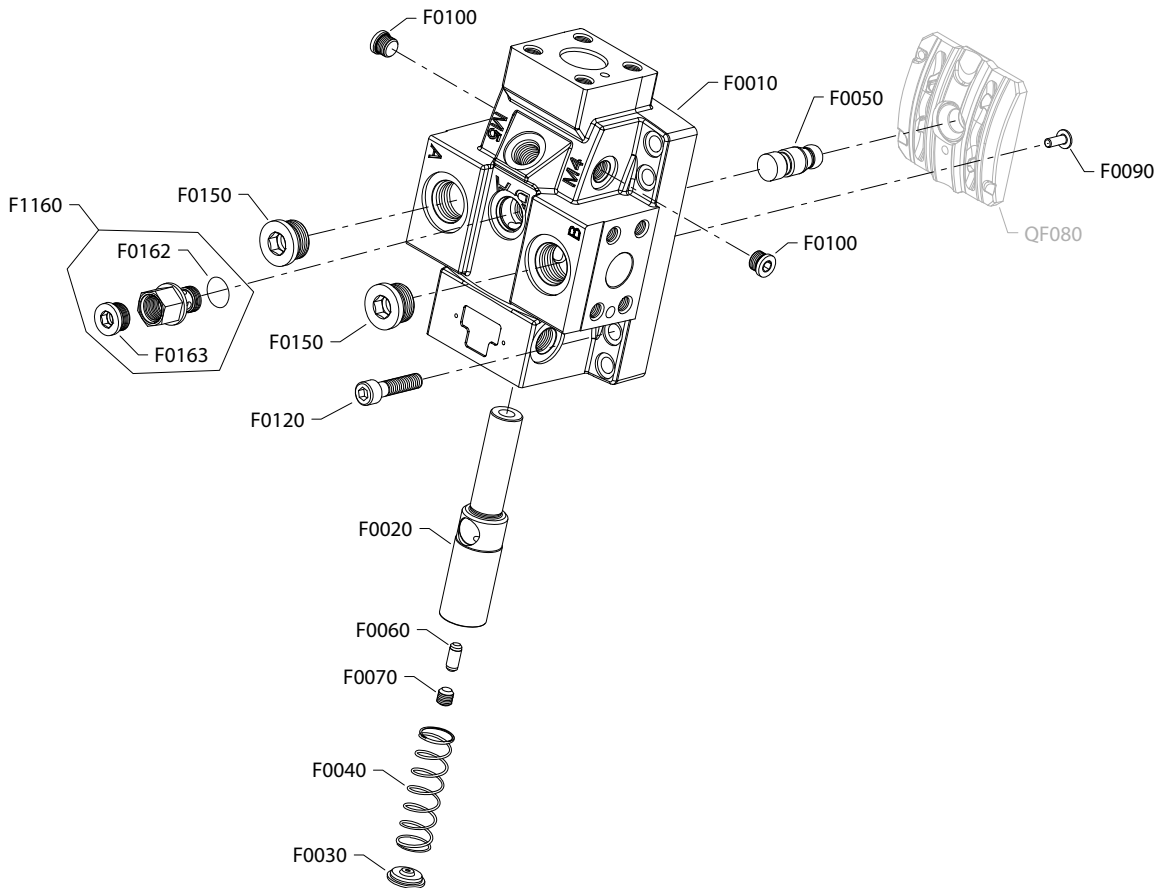
Order code: PF

Item	Date Begin	Date End	Part Number	Part Name	Qty. per Model/Kit
F0010	13-49		11180241	End cap, side ports	1
F0020	13-49		11008794	Servo piston	1
F0030	13-49		11008797	Spring guide	1
F0040	13-49		11160233	Spring	1
F0050	13-49		11008796	Setting lug	1
F0070	13-39		042465	Set screw, M10 x 10	1
F0090	13-49		11014186	Button head screw	1
F0100	13-49		140644	Plug assembly	2
F0120	13-49		283325 (9007314-1211)	Screw, M12 x 50	8
F0160	13-49		140644	Plug assembly	2
F0170	13-49		11124768	Filter	1

End cap

H1B 110cc end cap PM

PM configuration



End cap

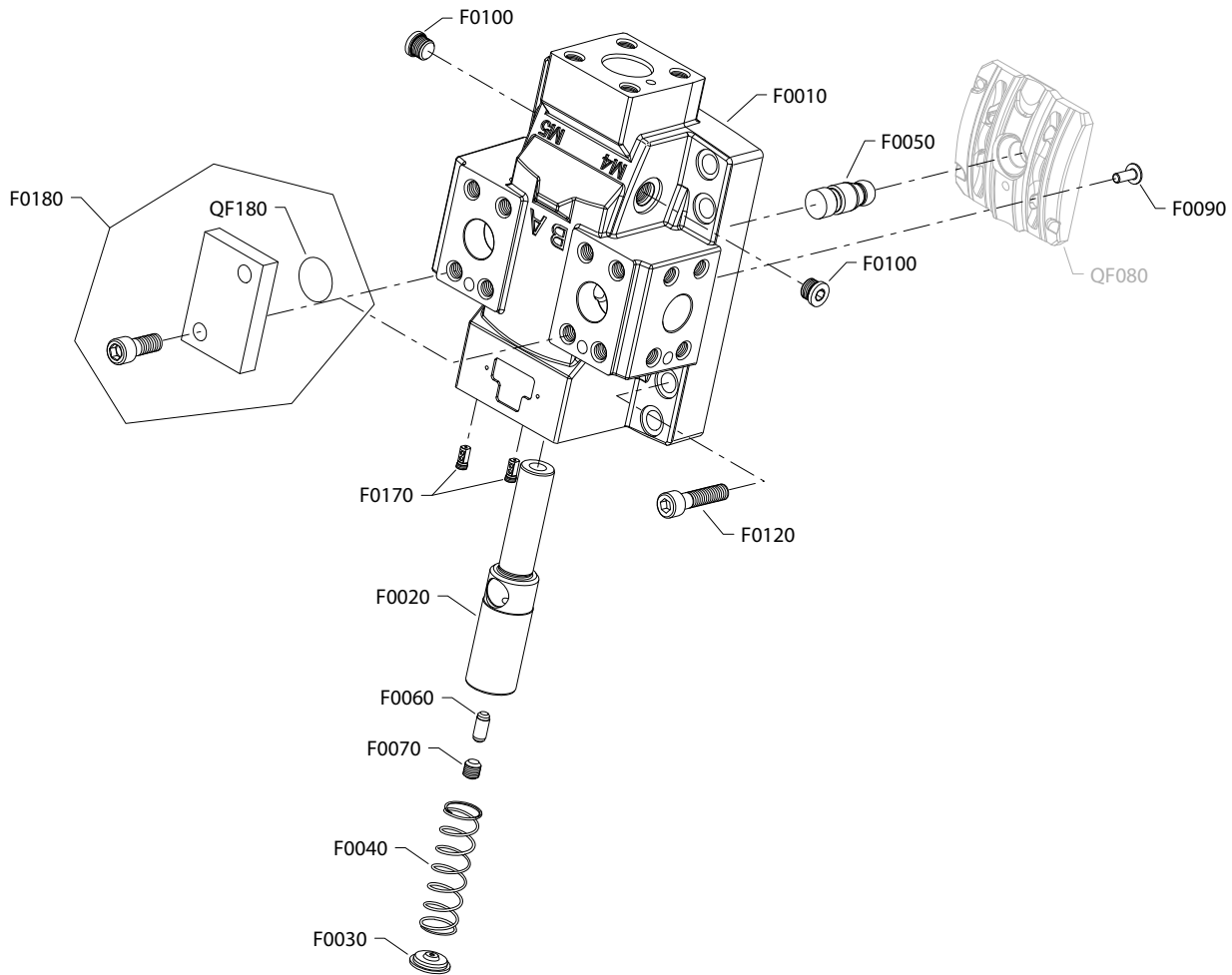
Order code: PM

Item	Date Begin	Date End	Part Number	Part Name	Qty. per Model/Kit
F0010	13-49		11128152	End cap, side ports	1
F0020	13-49		11008794	Servo piston	1
F0030	13-49		11008797	Spring guide	1
F0040	13-49		11160233	Spring	1
F0050	13-49		11008796	Setting lug	1
F0060	13-49		11008915	Setting lug pin	1
F0070	13-49		042465	Set screw, M10 x 10	1
F0090	13-49		11014186	Button head screw	1
F0100	13-49		140644	Plug assembly	2
F0120	13-49		283325 (9007314-1211)	Screw, M12 x 50	8
F0150	13-49		664524 (9005110-9000)	Plug assembly	2
F0162	13-49		001149 (9004201-6200)	O-ring	1
F0163	13-49		9005110-7500	Plug assembly	1
F1160	13-49		11108129	Loop flushing adapter assembly	1
QF080	13-49	18-16	11051884	Valve segment assembly (SB-2018-028 on page 108)	1

End cap

H1B 110cc end cap PP

PP configuration



End cap

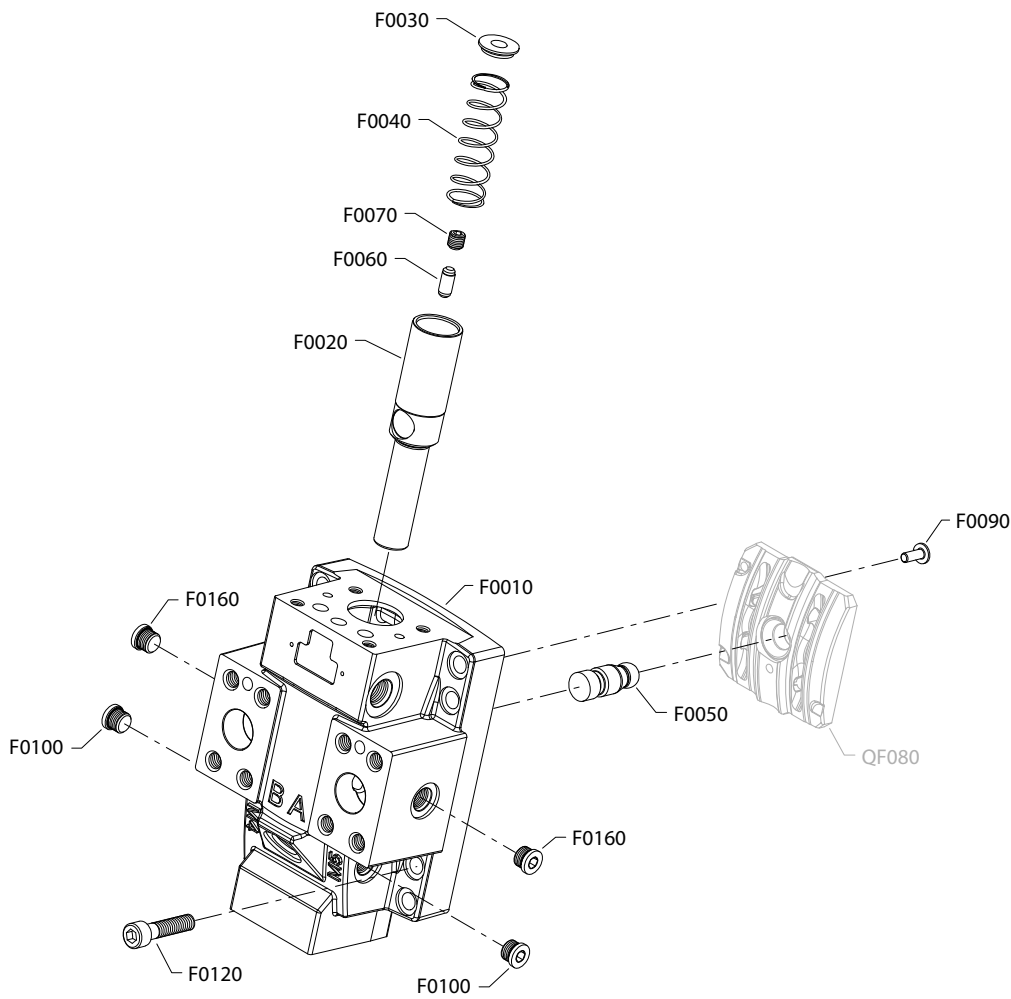
Order code: PP

Item	Date Begin	Date End	Part Number	Part Name	Qty. per Model/Kit
F0010	13-06		11175675	End cap, without loop flushing	1
F0020	13-06		11008795	Servo piston	1
F0030	13-06		11008797	Spring guide	1
F0040	13-06		11160233	Spring	1
F0050	13-06		11008796	Setting lug	1
F0060	13-06		11008915	Setting lug pin	1
F0070	13-06		042465	Set screw, M10 x 10	1
F0090	13-06		11014186	Button head screw	1
F0100	13-06		140644	Plug assembly	2
F0120	13-06		283325 (9007314-1211	Screw, M12 x 50	8
F0170	13-06		11124768	Edge filter	2
F0180	13-06		11145245	Cover assembly	2
QF080	13-06	18-16	11051884	Valve segment assembly (SB-2018-028 on page 108)	1
QF180	13-06		11118915	O-ring	2

End cap

H1B 110cc end cap RA

RA configuration



This option is available in SAE and metric configurations. Please order accordingly.

End cap

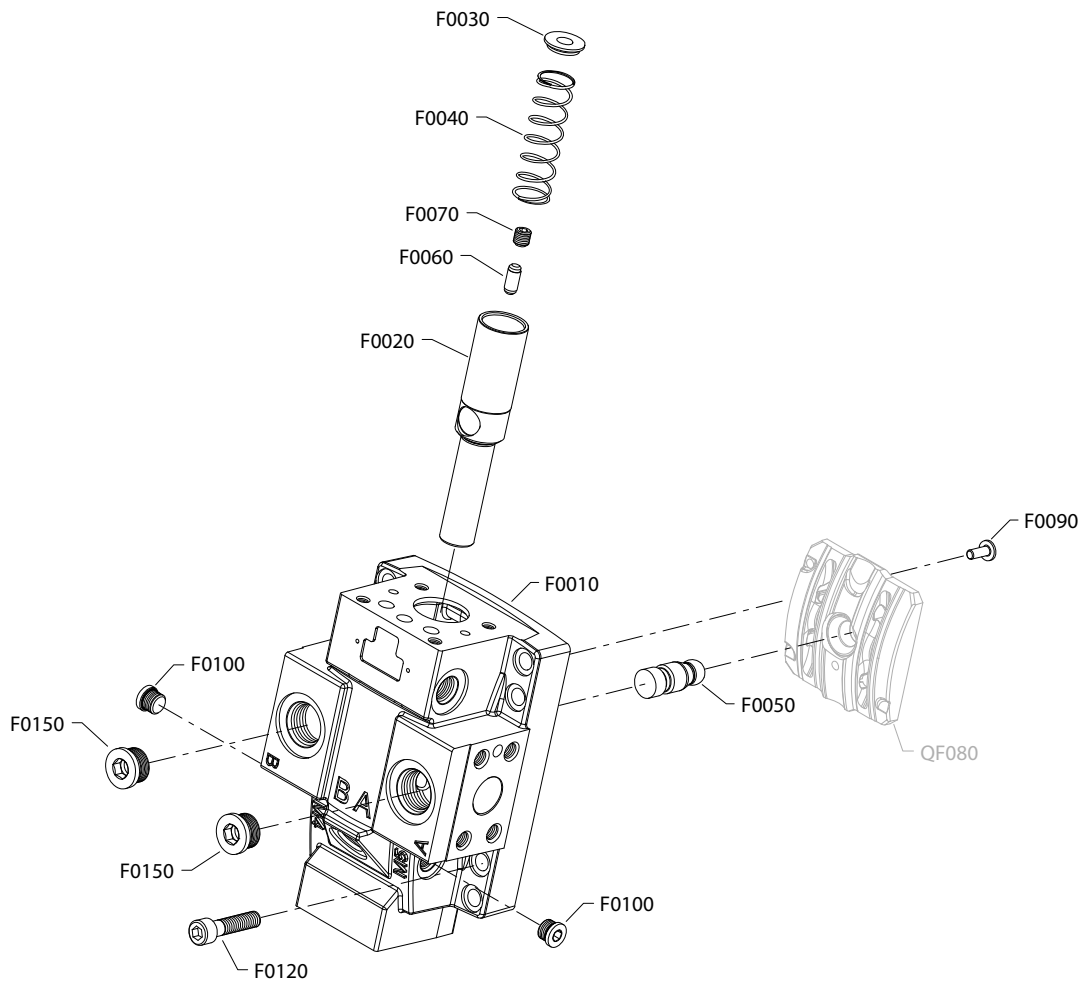
Order code: RA

Item	Date Begin	Date End	Part Number	Part Name	Qty. per Model/Kit
F0010	08-14		149032	End cap, axial ports (SAE)	1
F0010	15-45		11171985	End cap, axial ports (metric)	1
F0020	08-14		11008794	Servo piston	1
F0030	08-14		11008797	Spring guide	1
F0040	08-14		11160233	Spring	1
F0050	08-14		11008796	Setting lug	1
F0060	08-14		11008915	Setting lug pin	1
F0070	08-14		042465	Set screw, M10 x 10	1
F0090	08-14		11014186	Button head screw	1
F0100	08-14		140644	Plug assembly (SAE)	2
F0100	15-45		11178808	Plug assembly (metric)	2
F0120	08-14		283325 (9007314-1211)	Screw, M12 x 50	8
F0160	08-14		140644	Plug assembly	2
F0160	15-45		11178808	Plug assembly (metric)	2
QF080	08-14	18-16	11051884	Valve segment assembly SB-2018-028 on page 108	1

End cap

H1B 110cc end cap RB

RB configuration



This option is available in SAE and metric configurations. Please order accordingly.

End cap

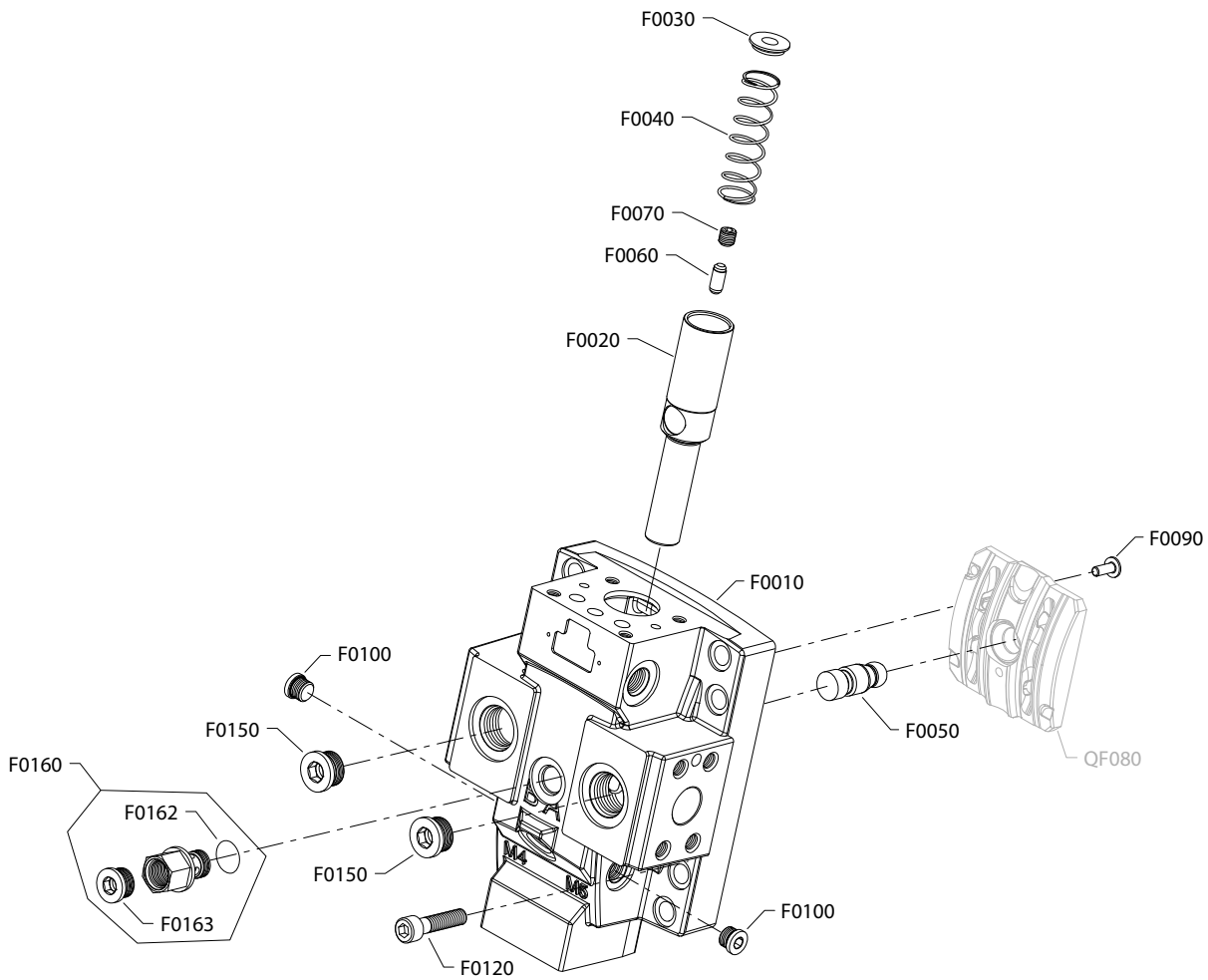
Order code: RB

Item	Date Begin	Date End	Part Number	Part Name	Qty. per Model/Kit
F0010	08-14		149031	End cap, side ports (SAE)	1
F0010	16-24		11161816	End cap, side ports (metric)	1
F0020	08-14		11008794	Servo piston	1
F0030	08-14		11008797	Spring guide	1
F0040	08-14		11160233	Spring	1
F0050	08-14		11008796	Setting lug	1
F0060	08-14		11008915	Setting lug pin	1
F0070	08-14		042465	Set screw, M10 x 10	1
F0090	08-14		11014186	Button head screw	1
F0100	08-14		140644	Plug assembly (SAE)	2
F0100	08-14		11178808	Plug assembly (metric)	2
F0120	08-14		283325 (9007314-1211)	Screw, M12 x 50	8
F0150	08-14		664524 (9005110-9000)	Plug assembly (SAE)	2
F0150	08-14		11178808	Plug assembly (metric)	2
QF080	08-14	18-16	11051884	Valve segment assembly SB-2018-028 on page 108	1

End cap

H1B 110cc end cap RM

RM configuration



End cap

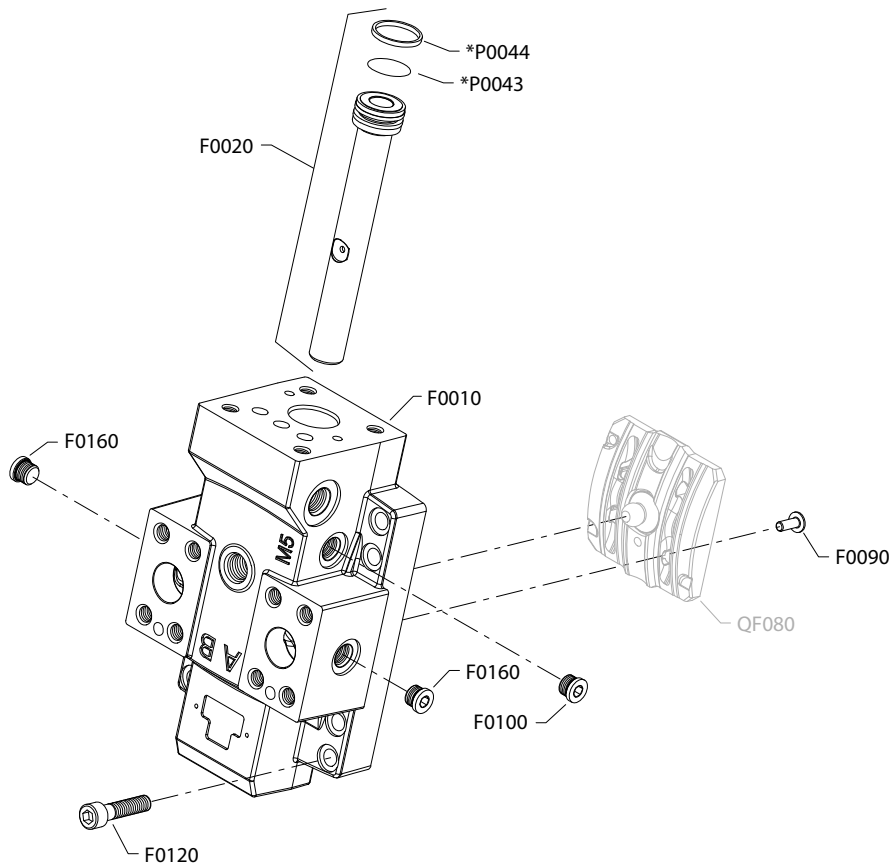
Order code: RM

Item	Date Begin	Date End	Part Number	Part Name	Qty. per Model/Kit
F0010	14-41		11128152	End cap, side ports	1
F0020	14-41		11008794	Servo piston	1
F0030	14-41		11008797	Spring guide	1
F0040	14-41		11160233	Spring	1
F0050	14-41		11008796	Setting lug	1
F0060	14-41		11008915	Setting lug pin	1
F0070	14-41		042465	Set screw, M10 x 10	1
F0090	14-41		11014186	Button head screw	1
F0100	14-41		140644	Plug assembly	2
F0120	14-41		283325 (9007314-1211)	Screw, M12 x 50	8
F0150	14-41		664524 (9005110-9000)	Plug assembly	2
F0160	14-41		11108129	Loop flushing adapter assembly	1
F0162	14-41		001149 (9004201-6200)	O-ring	1
F0163	14-41		9005110-7500	Plug assembly	1
QF080	14-41	18-16	11051884	Valve segment assembly (SB-2018-028 on page 108)	1

End cap

H1B 110cc end cap TA

TA configuration



* Included in overhaul seal kit Q210

End cap

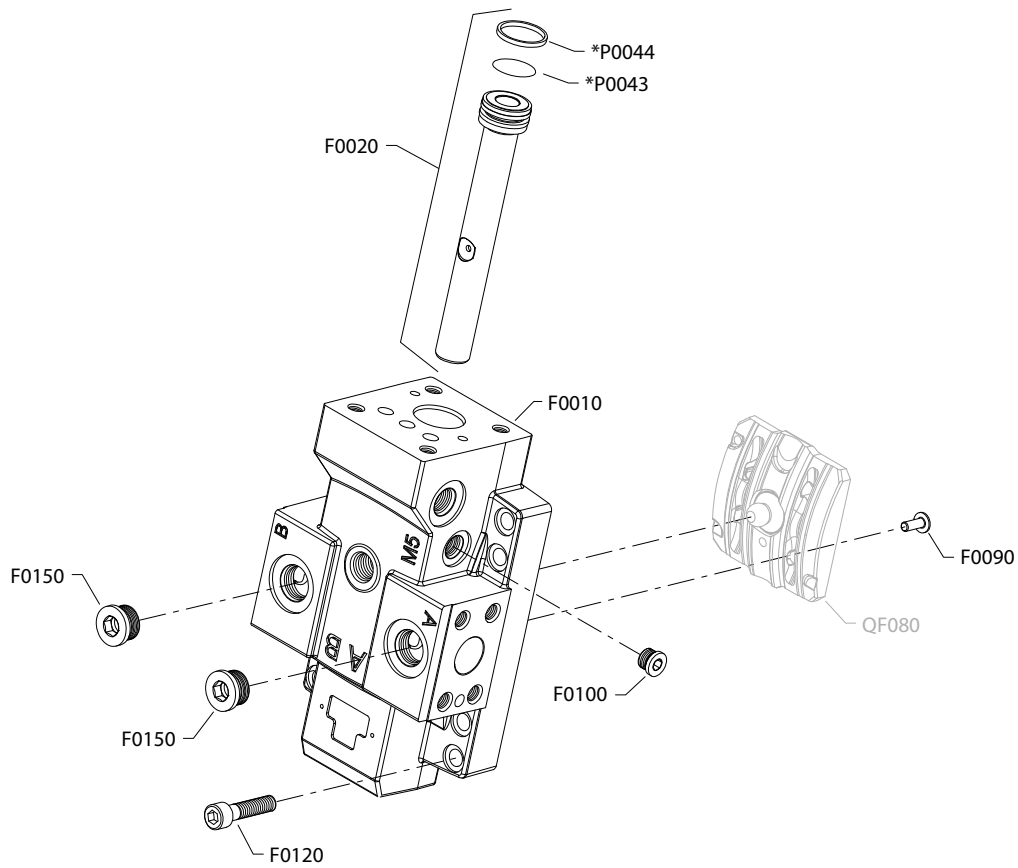
Order code: TA

Item	Date Begin	Date End	Part Number	Part Name	Qty. per Model/Kit
F0010	08-14		11012372	End cap, axial ports	1
F0020	08-14		110220417	Servo piston assembly	1
F0090	08-14		11014186	Button head screw	1
F0100	08-14		140644	Plug assembly	1
F0120	08-14		283325 (9007314-1211)	Screw, M12 x 50	8
F0160	08-14		140644	Plug assembly	2
P0043	08-14		315242	O-ring	1
P0044	08-14		648345	Piston ring	1
QF080	08-14	18-16	11051883	Valve segment assembly (SB-2018-028 on page 108)	1

End cap

H1B 110cc end cap TB

TB configuration



* Included in overhaul seal kit Q210

End cap

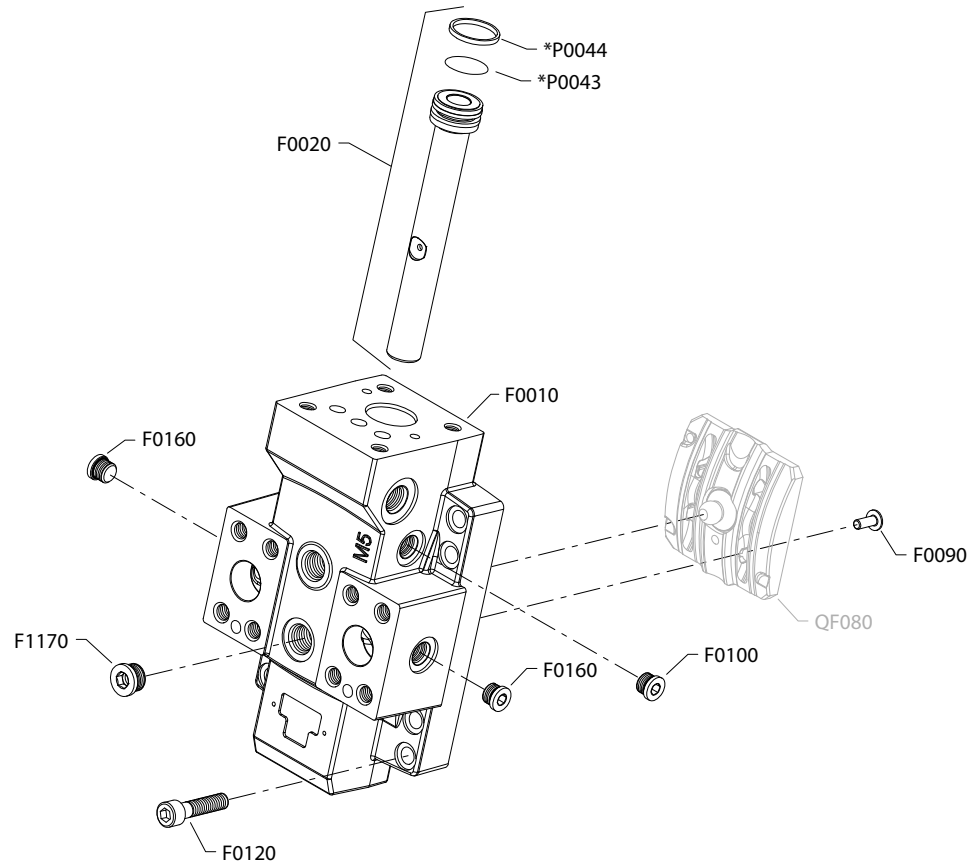
Order code: TB

Item	Date Begin	Date End	Part Number	Part Name	Qty. per Model/Kit
F0010	08-14		11012378	End cap, side ports	1
F0020	08-14		11020417	Servo piston assembly	1
F0090	08-14		11014186	Button head screw	1
F0100	08-14		140644	Plug assembly	1
F0120	08-14		283325 (9007314-1211)	Screw, M12 x 50	8
F0150	08-14		664524 (9005110-9000)	Plug assembly	2
P0043	08-14		315242	O-ring	1
P0044	08-14		648345	Piston ring	1
QF080	08-14	18-16	11051883	Valve segment assembly (SB-2018-028 on page 108)	1

End cap

H1B 110cc end cap TL

TL configuration



* Included in overhaul seal kit Q210

End cap

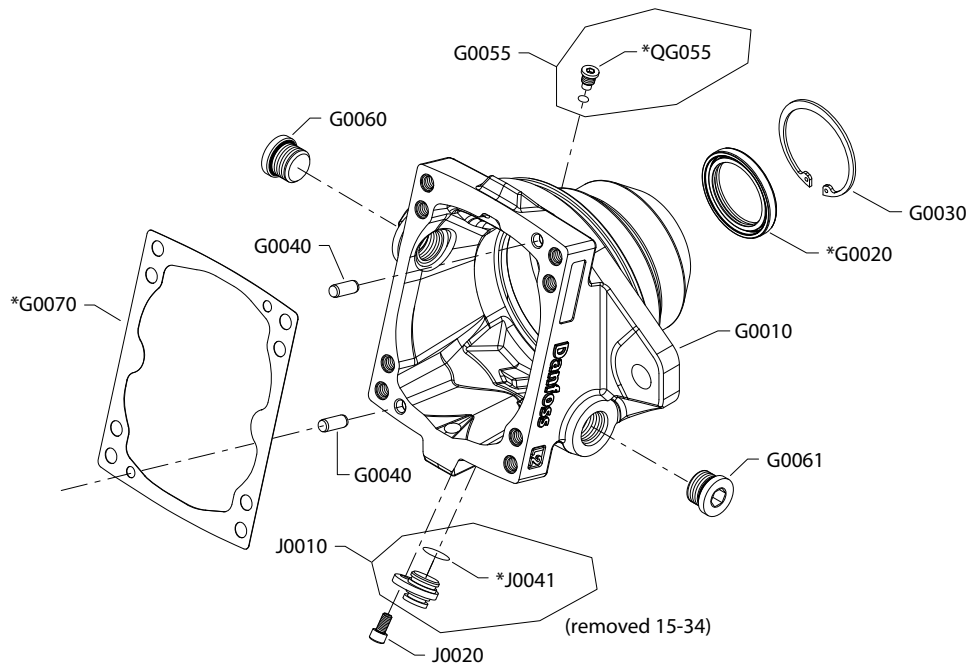
Order code: TL

Item	Date Begin	Date End	Part Number	Part Name	Qty. per Model/Kit
F0010	09-05		11059618	End cap, axial ports	1
F0020	09-05		11020417	Servo piston	1
F0090	09-05		11014186	Button head screw	1
F0100	09-05		140644	Plug assembly	1
F0120	09-05		283325 (9007314-1211)	Screw, M12 x 50	8
F0160	09-05		140644	Plug assembly	1
F0170	09-05		315325 (9005110-8700)	Plug assembly	1
P0043	09-05		315242	O-ring	1
P0044	09-05		648345	Piston ring	1
QF080	09-05	18-16	11051883	Valve segment assembly (SB-2018-028 on page 108)	1

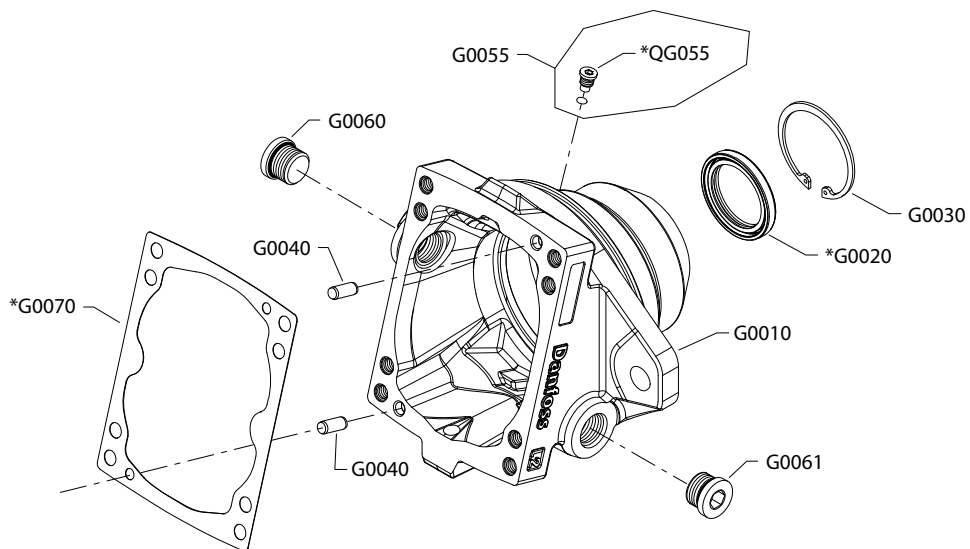
Flange/housing

H1B 110cc flange/housing CN and CS

CN configuration



CS configuration



* Included in overhaul seal kit Q210

Option CS is available in SAE and metric configurations. Please order accordingly.

Flange/housing

Order code: CN

Item	Date Begin	Date End	Part Number	Part Name	Qty. per Model/Kit
G0010	10-26		11078069	Housing, cartridge with speed sensor port	1
G0020	08-14		519022	Lip seal	1
G0030	08-14		392423	Retaining ring	1
G0040	08-14		11007677	Pin	2
G0055	10-26		11056747	Plug assembly	1
G0055	08-14	10-25	327007 (9005110-4400)	Plug assembly	1
G0060	08-14		664524 (9005110-9000)	Plug assembly (SAE)	1
G0061	08-14		664524 (9005110-9000)	Plug assembly (SAE)	1
G0070	08-14		149033	Gasket	1
J0010	08-14		11013290	PPU plug assembly	1
J0020	08-14		395822 (9007315-0603)	Screw, M8 x 12	1
J0041	08-14		018499 (9004100-0160)	O-ring	1
QG055	10-26		039297 (9004201-1200)	O-ring	1

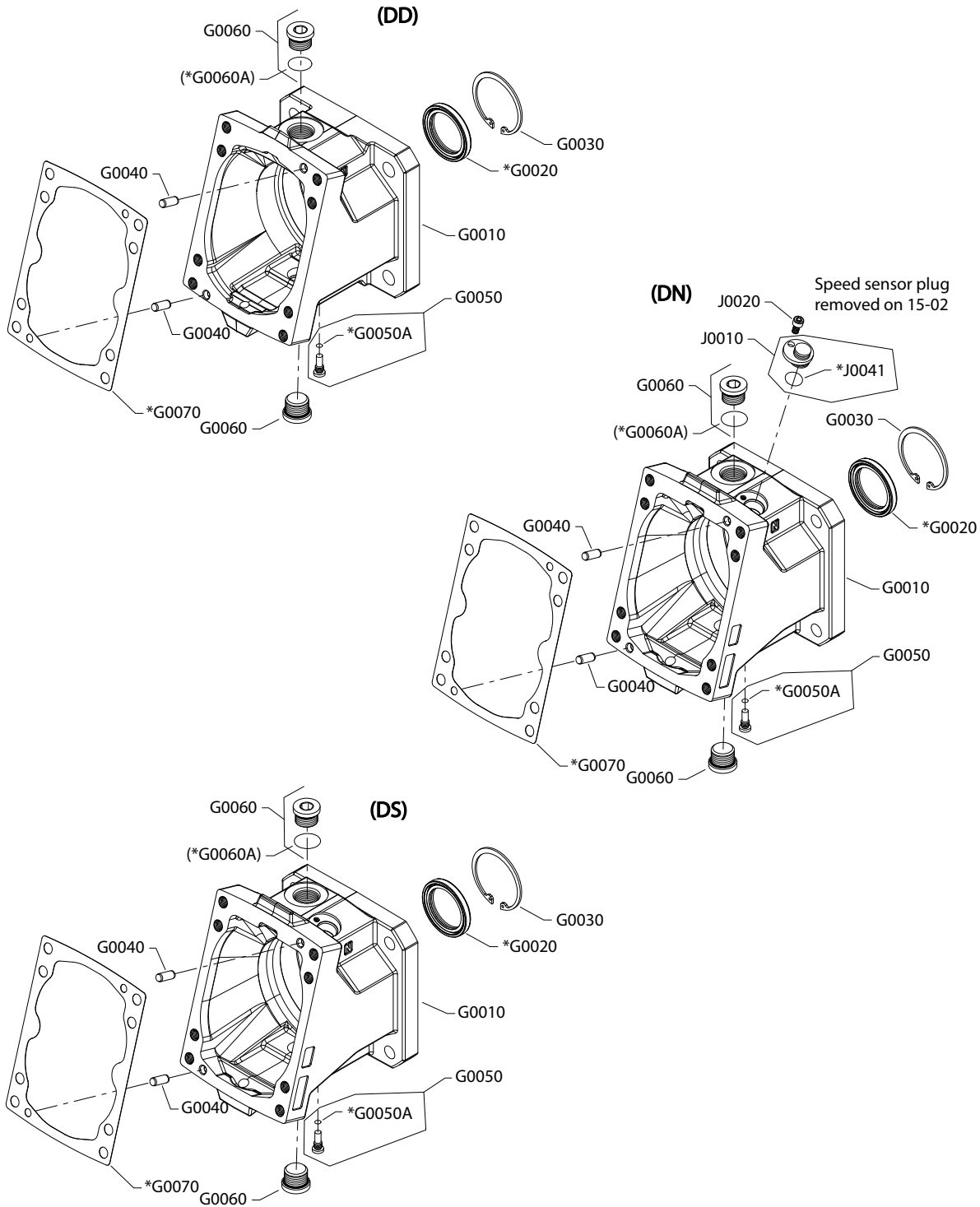
Order code: CS

G0010	10-26		11078069	Housing, cartridge with speed sensor port (SAE)	1
G0010	15-45		11161818	Housing, cartridge with speed sensor port (metric)	1
G0020	08-14		519022	Lip seal	1
G0030	08-14		392423	Retaining ring	1
G0040	08-14		11007677	Pin	2
G0055	10-26		11056747	Plug assembly	1
G0055	08-14	10-25	327007 (9005110-4400)	Plug assembly	1
G0060	08-14		664524 (9005110-9000)	Plug assembly (SAE)	1
G0060	15-45		11134927	Plug assembly (metric)	1
G0061	08-14		664524 (9005110-9000)	Plug assembly (SAE)	1
G0061	15-45		11134927	Plug assembly (metric)	1
G0070	08-14		149033	Gasket	1
QG055	10-26		039297 (9004201-1200)	O-ring	1

Flange/housing

H1B 110cc flange/housing DD, DN, DS

Parts configuration



* Included in overhaul seal kit Q210

Flange/housing

Order code: DD

Item	Date Begin	Date End	Part Number	Part Name	Qty. per Model/Kit
G0010	13-25		11133350	Housing, DIN flange, special	1
G0020	13-25		519022	Lip seal	1
G0030	13-25		392423	Retaining ring	1
G0040	13-25		11007677	Pin	2
G0050	13-25		11063948	Shaft locating plug assembly	1
G0060	13-25		664524 (9005110-9000)	Plug assembly	1
G0061	13-25		664524 (9005110-9000)	Plug assembly	1
G0070	13-25		149033	Gasket	1
QG050	13-25		001123 (9004201-2500)	O-ring	1

Order code: DN

G0010	15-03		11147473	Housing, DIN flange without speed sensor port	
G0010	10-19	15-02	149026	Housing, DIN flange with speed sensor port	1
G0020	08-14		519022	Lip seal	1
G0030	08-14		392423	Retaining ring	1
G0040	08-14		11007677	Pin	2
G0050	10-19		11063948	Shaft locating plug assembly	1
G0060	08-14		664524 (9005110-9000)	Plug assembly (SAE)	1
G0061	08-14		664524 (9005110-9000)	Plug assembly (SAE)	1
G0070	08-14		149033	Gasket	1
J0010	08-14	15-02	11013290	PPU plug assembly	1
J0041	08-14	15-02	018499 (9004100-0160)	O-ring	1
J0020	08-14	15-02	395822 (9007315-0603)	Screw, M6 x 12	1
QG050	10-19		001123 (9004201-2500)	O-ring	1
QG050	08-14	10-18	039297 (9004201-1200)	O-ring	1

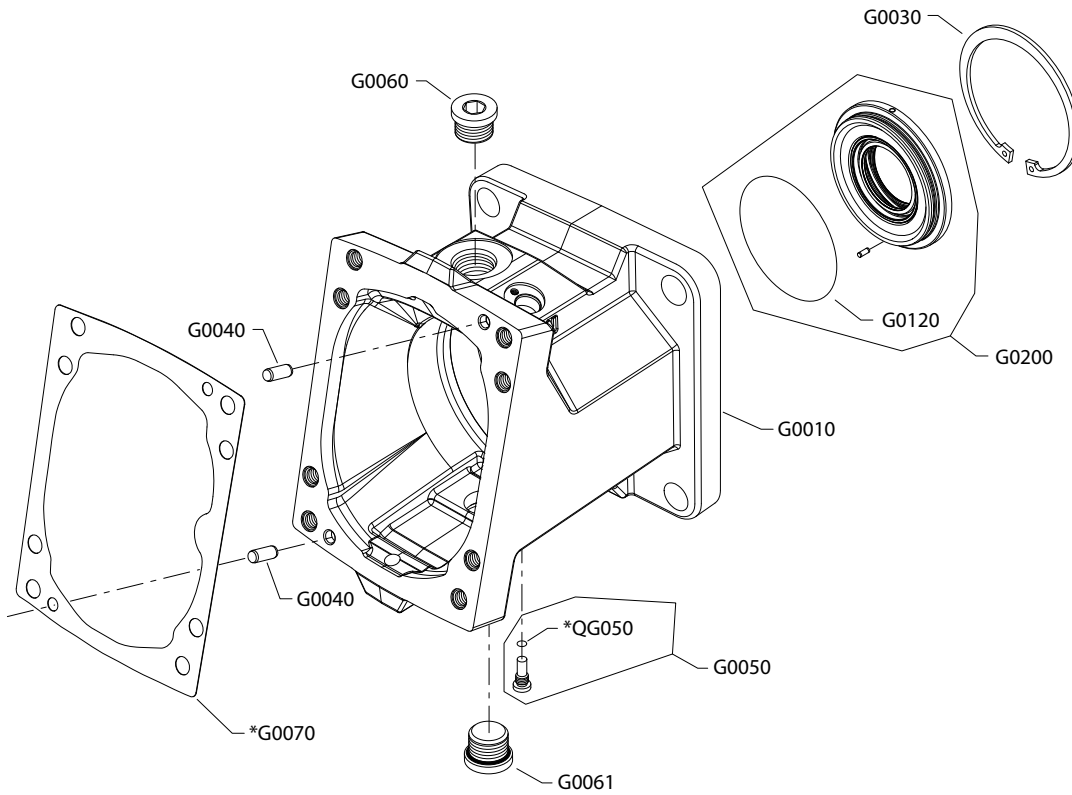
Order code: DS

G0010	10-19		149026	Housing, DIN flange with speed sensor port	1
G0020	08-14		519022	Lip seal	1
G0030	08-14		392423	Retaining ring	1
G0040	08-14		11007677	Pin	2
G0050	10-19		11063948	Shaft locating plug assembly	1
G0060	08-14		664524 (9005110-9000)	Plug assembly (SAE)	1
G0061	08-14		664524 (9005110-9000)	Plug assembly (SAE)	1
G0070	08-14		149033	Gasket	1
QG050	10-19		001123 (9004201-2500)	O-ring	1
QG050	08-14	10-18	039297 (9004201-1200)	O-ring	1

Flange/housing

H1B flange/housing VB

VB configuration



* Included in overhaul seal kit Q210

Flange/housing

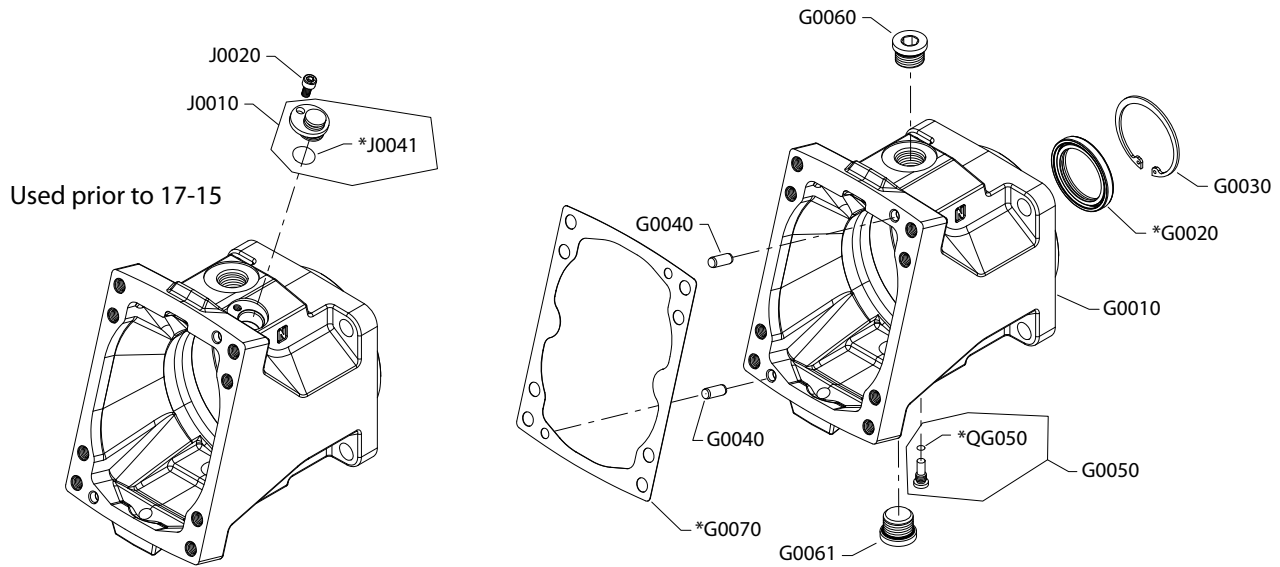
Order code: VB

Item	Date Begin	Date End	Part Number	Part Name	Qty. per Model/Kit
G0010	11-15		11095941	Housing, SAE flange with speed sensor port	1
G0030	11-15		11070170	Retaining ring	1
G0040	11-15		11007677	Pin	2
G0050	11-15		11063948	Shaft locating plug assembly	1
G0060	11-15		664524 (9005110-9000)	Plug assembly	1
G0061	11-15		664524 (9005110-9000)	Plug assembly	1
G0070	11-15		149033	Gasket	1
G0120	11-15		11070158	O-ring	1
G0200	11-15		11095938	Seal carrier assembly	1
QG050	11-15		001123 (9004201-2500)	O-ring	1

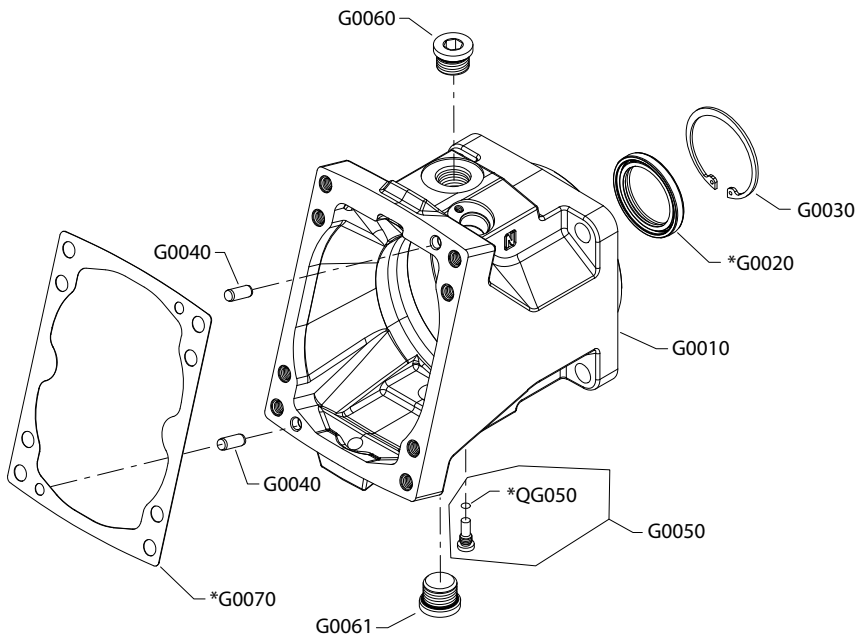
Flange/housing

H1B 110cc flange/housing VN and VS

VN configuration



VS configuration



* Included in overhaul seal kit Q210

Option VS is available in SAE and metric configurations. Please order accordingly.

Flange/housing

Common parts

Item	Date Begin	Date End	Part Number	Part Name	Qty. per Model/Kit
G0020	08-14		519022	Lip seal	1
G0030	08-14		392423	Retaining ring	1
G0040	08-14		11007677	Pin	2
G0050	10-19		11063948	Shaft locating plug assembly	1
G0070	08-14		149033	Gasket	1
QG050	10-19		001123 (9004201-2500)	O-ring	1
QG050	08-14	10-18	039297 (9004201-1200)	O-ring	1

Order code: VN

G0010	15-35		11162273	Housing, SAE flange without speed sensor port	1
G0010	10-19	15-34	149024	Housing, SAE flange with speed sensor port	1
G0060	08-14		664524 (9005110-9000)	Plug assembly (SAE)	1
G0061	08-14		664524 (9005110-9000)	Plug assembly (SAE)	1
J0010	08-14	15-34	11013290	PPU plug assembly	1
J0041	08-14	15-34	018499 (9004100-0160)	O-ring	1
J0020	08-14	15-34	395822 (9007315-0603)	Screw, M6 x 12	1

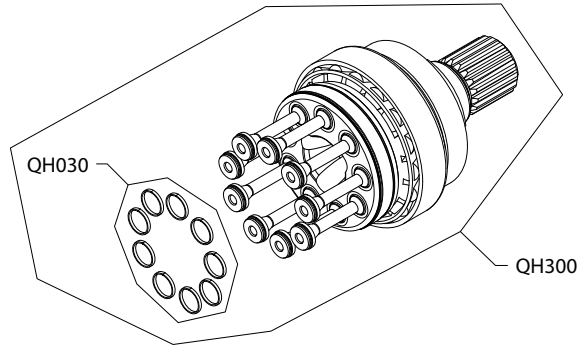
Order code: VS

G0010	08-14		149024	Housing, SAE flange with speed sensor port (SAE)	1
G0010	15-45		11171986	Housing, SAE flange with speed sensor port (metric)	1
G0060	08-14		664524 (9005110-9000)	Plug assembly (SAE)	1
G0060	15-45		11134927	Plug assembly (metric)	1
G0061	08-14		664524 (9005110-9000)	Plug assembly (SAE)	1
G0061	15-45		11134927	Plug assembly (metric)	1

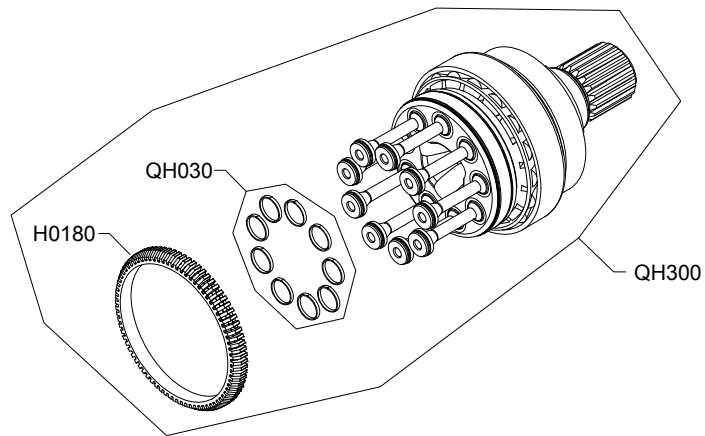
Shaft

H1B 110cc shaft DN-PS

DN, EN, JN, KN configuration



DS, ES, JS, KS, PS configuration



Shaft

Order code: DN and Common parts

Item	Date Begin	Date End	Part Number	Part Name	Qty. per Model/Kit
QH030	08-14		11100634	Piston ring kit	1

Order code: DN

QH300	08-14		11050512	Shaft assembly, 27 tooth, 16/32 pitch	1
-------	-------	--	----------	---------------------------------------	---

Order code: DS

H0180	08-14		11000598	Speed ring	1
QH300	08-14		11050501	Shaft assembly, 27 tooth, 16/32 pitch, speed ring	1

Order code: EN

QH300	08-14		11050500	Shaft assembly, 13 tooth, 8/12 pitch	1
-------	-------	--	----------	--------------------------------------	---

Order code: ES

H0180	08-14		11000598	Speed ring	1
QH300	08-14		11050499	Shaft assembly, 13 tooth, 8/12 pitch, speed ring	1

Order code: JN

QH300	08-14		11050495	Shaft assembly, 18 tooth, DIN	1
-------	-------	--	----------	-------------------------------	---

Order code: JS

H0180	08-14		11000598	Speed ring	1
QH300	08-14		11050494	Shaft assembly, 18 tooth, DIN, speed ring	1

Order code: KN

QH300	08-14		11050493	Shaft assembly, 21 tooth, DIN	1
-------	-------	--	----------	-------------------------------	---

Order code: KS

H0180	08-14		11000598	Speed ring	1
QH300	08-14		11050491	Shaft assembly, 21 tooth, DIN, speed ring	1

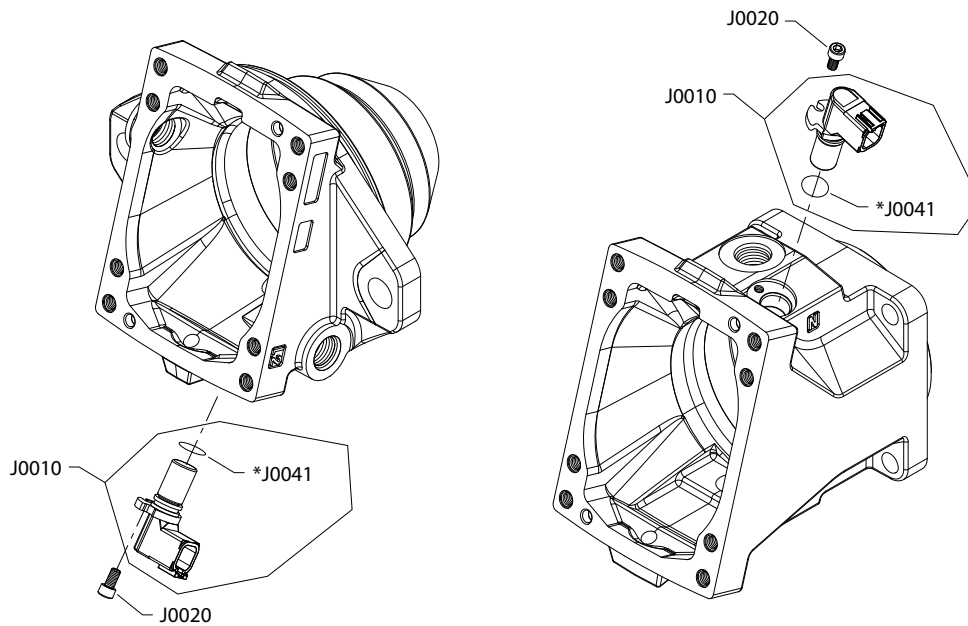
Order code: PS

H0180	08-14		11000598	Speed ring	1
QH300	08-14		11095818	Shaft assembly, 27 tooth, 16/32 pitch, speed ring	1

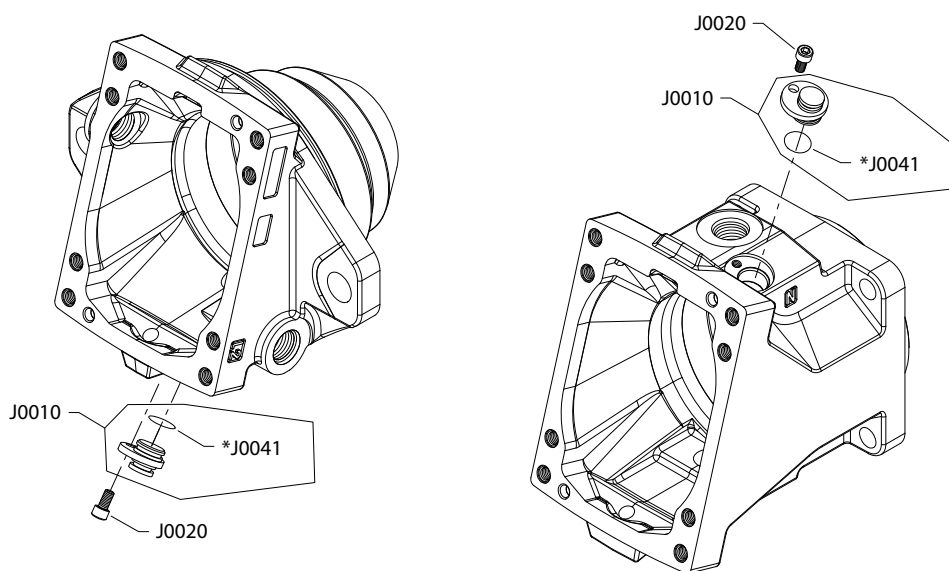
Speed sensor

H1B speed sensor B, C, P, S

B, C, S configuration



P configuration



* Included in base motor seal kit Q210

Generic housings used to show part location only.

Speed sensor

Order code: B

Item	Date Begin	Date End	Part Number	Part Name	Qty. per Model/Kit
J0010	12-15		11102032	Speed sensor assembly	1
J0020	12-15		395822 (9007315-0603)	Screw, M6 x 12	1
J0041	12-15		018499 (9004100-0160)	O-ring	1

Order code: C

J0010	14-41		11157520	Speed sensor assembly	1
J0020	14-41		395822 (9007315-0603)	Screw, M6 x 12	1
J0041	14-41		018499 (9004100-0160)	O-ring	1

Order code: N

No parts					
----------	--	--	--	--	--

Order code: P

J0010	08-14		11013290	Plug assembly	1
J0020	08-14		395822 (9007315-0603)	Screw, M6 x 12	1
J0041	08-14		018499 (9004100-0160)	O-ring	1

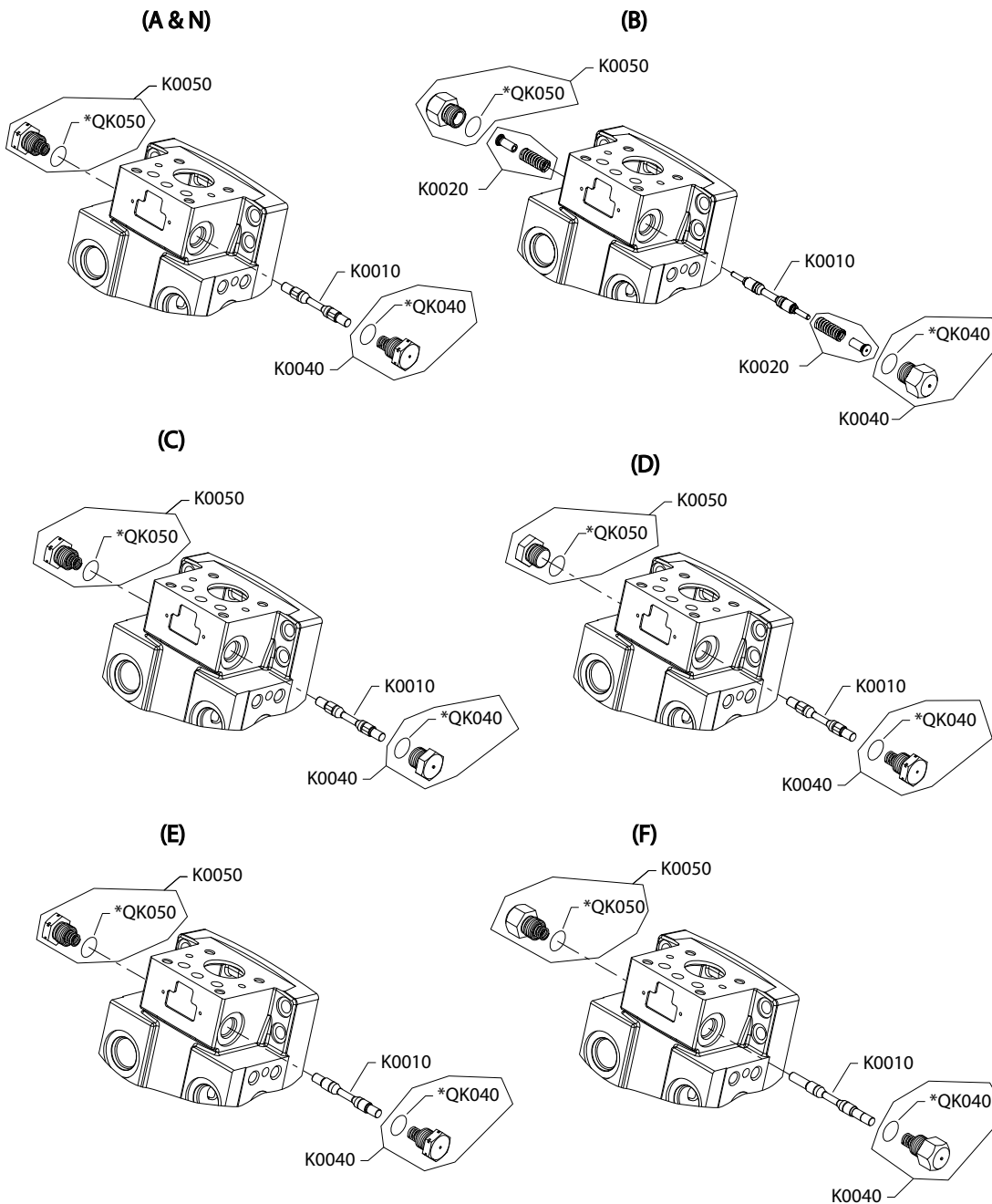
Order code: S

J0010	08-14		149055	Speed sensor assembly	1
J0020	08-14		395822 (9007315-0603)	Screw, M6 x 12	1
J0041	08-14		018499 (9004100-0160)	O-ring	1

Loop flushing

H1B loop flushing A-N

Parts configuration



* Included in base motor seal kit Q210

Loop flushing

Order code: A and N

Item	Date Begin	Date End	Part Number	Part Name	Qty. per Model/Kit
K0010	08-14		11031106	Spool	1
K0040	08-14		11160780	Plug/spring assembly	1
K0050	08-14		11160780	Plug/spring assembly	1
QK040	08-14		149052	O-ring	1
QK050	08-14		149052	O-ring	1

Order code: B

K0010	15-45		11101037	Spool	1
K0020	15-45		11101439	Spring/plug assembly	2
K0040	15-45		11101035	Plug assembly	1
K0050	15-45		11101035	Plug assembly	1
QK040	15-45		149052	O-ring	1
QK050	15-45		149052	O-ring	1

Order code: C

K0010	12-15		11031106	Spool	1
K0040	12-15		11115123	Plug/spring assembly	1
K0050	12-15		11160780	Plug/spring assembly	1
QK040	12-15		149052	O-ring	1
QK050	12-15		149052	O-ring	1

Order code: D

K0010	12-15		11031106	Spool	1
K0040	12-15		11160780	Plug/spring assembly	1
K0050	12-15		11115123	Plug/spring assembly	1
QK040	12-15		149052	O-ring	1
QK050	12-15		149052	O-ring	1

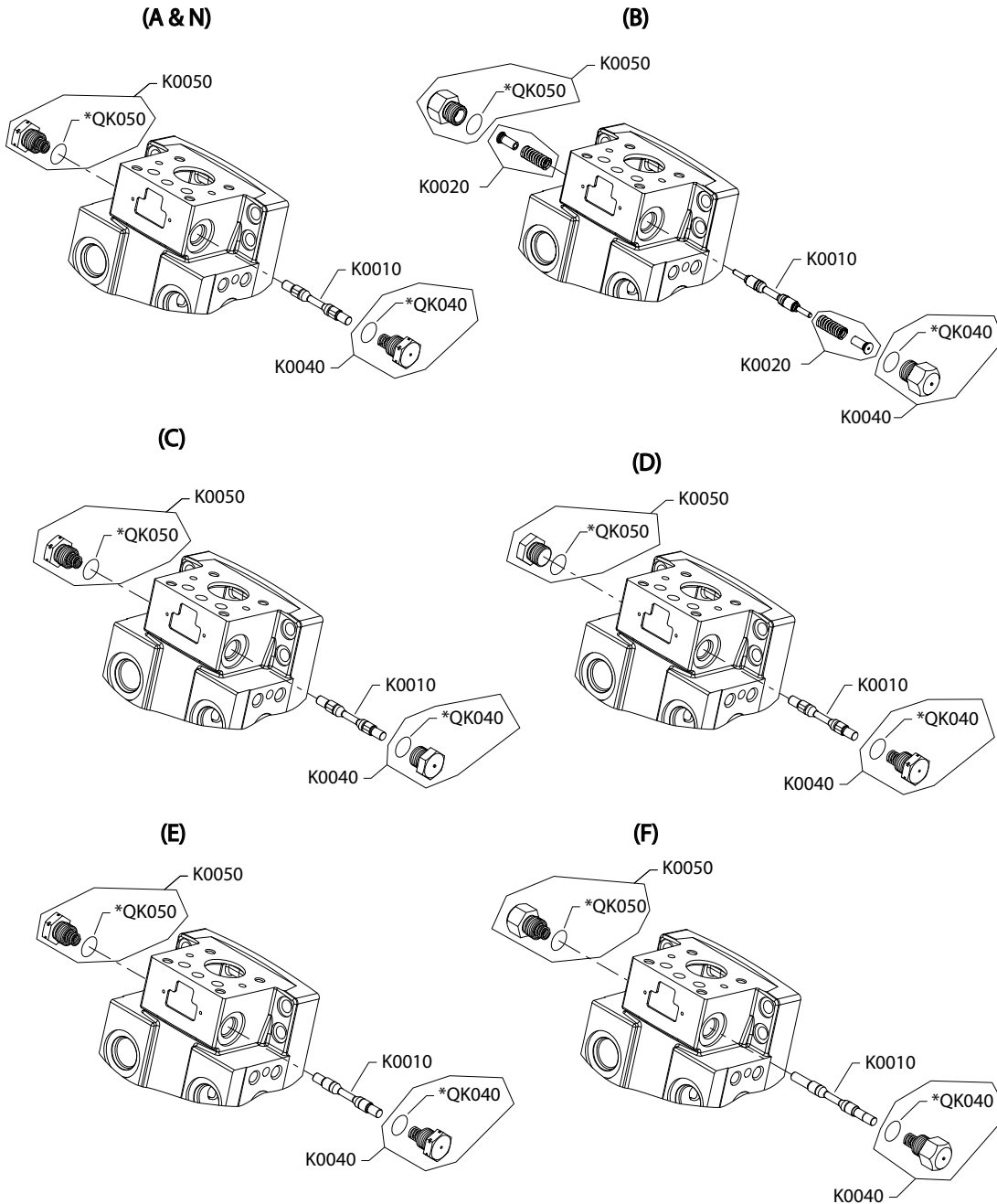
Order code: E

K0010	14-41		11157411	Spool	1
K0040	14-41		11160780	Plug/spring assembly	1
K0050	14-41		11160780	Plug/spring assembly	1
QK040	14-41		149052	O-ring	1
QK050	14-41		149052	O-ring	1

[Parts continue to the next 2 pages.](#)

Loop flushing

Parts configuration



* Included in base motor seal kit Q210

Loop flushing

Order code: F

Item	Date Begin	Date End	Part Number	Part Name	Qty. per Model/Kit
K0010	14-41		11157409	Spool	1
K0040	14-41		11158323	Plug/spring assembly	1
K0050	14-41		11158323	Plug/spring assembly	1
QK040	14-41		149052	O-ring	1
QK050	14-41		149052	O-ring	1

Order code: G

K0010	16-32		11181360	Spool	1
K0040	16-32		11181359	Plug/spring assembly	1
K0050	16-32		11181359	Plug/spring assembly	1
QK040	16-32		149052	O-ring	1
QK050	16-32		149052	O-ring	1

Order code: W

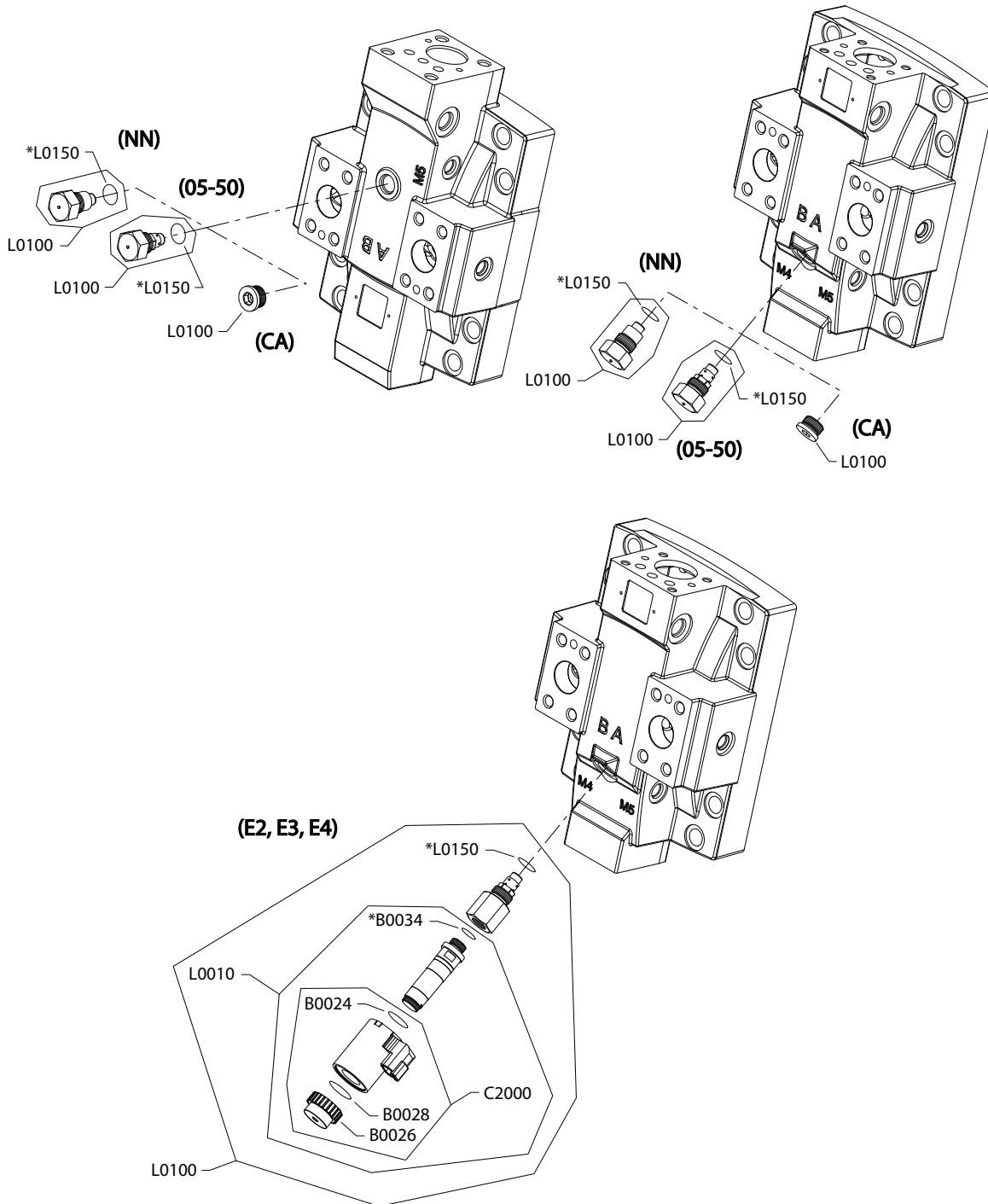
No parts

[For order code N, please refer to order code A.](#)

Loop flushing

H1B loop flushing 05-50

Parts configuration



Generic end caps shown

* Included in overhaul seal kit Q210

Loop flushing

Order code: 05

Item	Date Begin	Date End	Part Number	Part Name	Qty. per Model/Kit
L0100	08-14		11008698	Loop flushing relief valve, 5L/min	1
L0150	08-14		149052	O-ring	1

Order code: 10

L0100	08-14		11003448	Loop flushing relief valve, 10L/min	1
L0150	08-14		149052	O-ring	1

Order code: 15

L0100	08-14		11003450	Loop flushing relief valve, 15L/min	1
L0150	08-14		149052	O-ring	1

Order code: 20

L0100	08-14		11001676	Loop flushing relief valve, 20L/min	1
L0150	08-14		149052	O-ring	1

Order code: 30

L0100	13-23		11008700	Loop flushing relief valve, 30L/min	1
L0150	13-23		149052	O-ring	1

Order code: 40

L0100	13-23		11008701	Loop flushing relief valve, 40L/min	1
L0150	13-23		149052	O-ring	1

Order code: 50

L0100	13-23		11001697	Loop flushing relief valve, 50L/min	1
L0150	13-23		149052	O-ring	1

Order code: CA

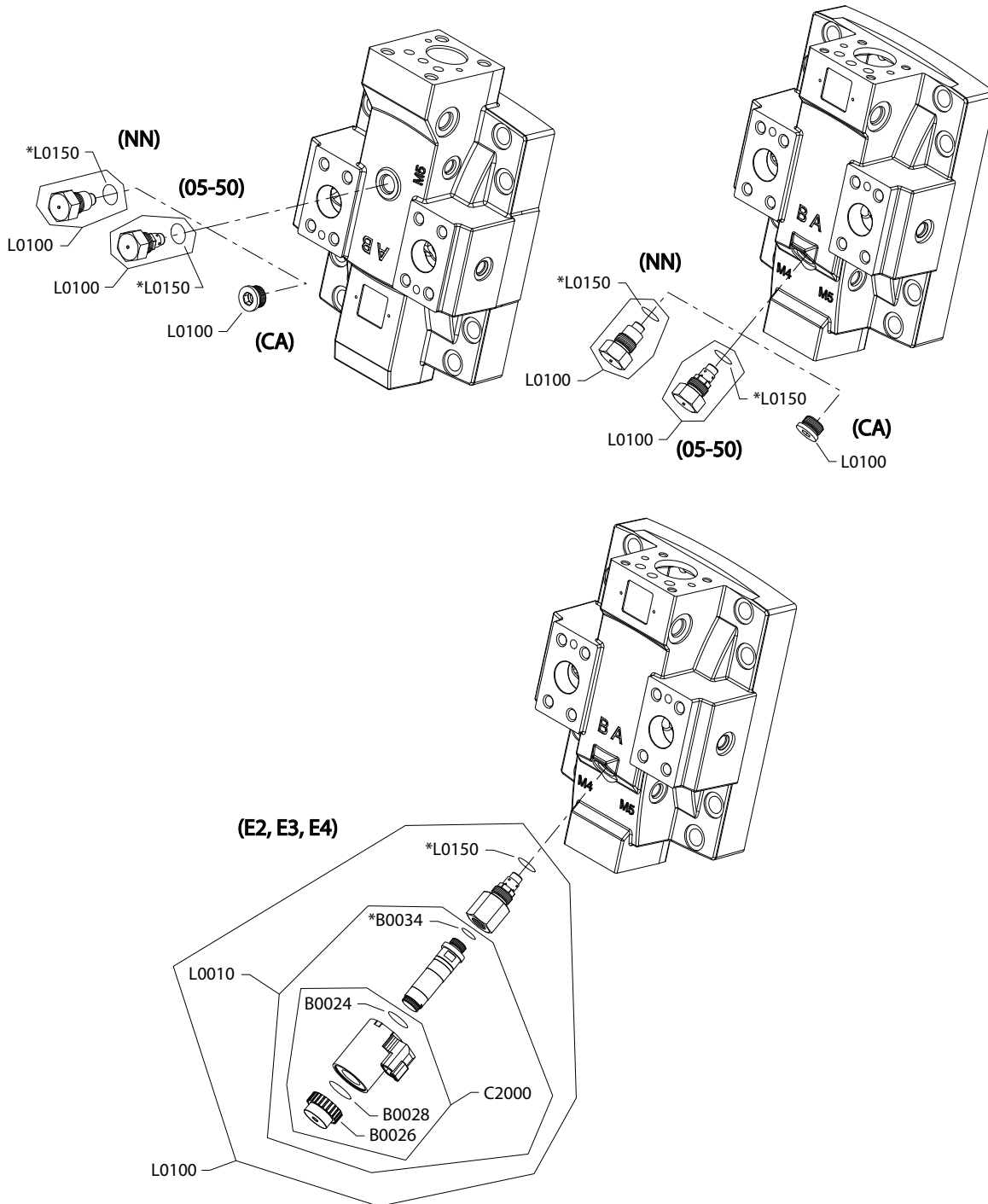
L0180	13-23		315325 (9005110-8700)	Plug assembly	1
-------	-------	--	-----------------------	---------------	---

[Part numbers for options E2, E3, E4, and NN are continued on the next page.](#)

Loop flushing

H1B loop flushing E2, E3, E4, NN

Parts configuration



Generic end caps shown

* Included in overhaul seal kit Q210

Loop flushing

Order code: E2

Item	Date Begin	Date End	Part Number	Part Name	Qty. per Model/Kit
B0024	13-23		11031608	O-ring	1
B0026	13-23		11027046	Coil nut	1
B0028	13-23		063172	O-ring	1
B0034	13-23		085043 (9004201-3700)	O-ring	1
C2000	13-23		11031763	Coil kit, 12 volt	1
L0100	13-23		11096735	Loop flushing relief valve, 12v, 10L/min	1
L0150	13-23		149052	O-ring	1
L1000	13-23		11013615	Solenoid valve, 12v	1

Order code: E3

B0024	13-23		11031608	O-ring	1
B0026	13-23		11027046	Coil nut	1
B0028	13-23		063172	O-ring	1
B0034	13-23		085043 (9004201-3700)	O-ring	1
C2000	13-23		11031763	Coil kit, 12 volt	1
L0100	13-23		11096736	Loop flushing relief valve, 12v, 15L/min	1
L0150	13-23		149052	O-ring	1
L1000	13-23		11013615	Solenoid valve, 12v	1

Order code: E4

B0024	16-06		11031608	O-ring	1
B0026	16-06		11027046	Coil nut	1
B0028	16-06		063172	O-ring	1
B0034	16-06		085043 (9004201-3700)	O-ring	1
C2000	16-06		11031763	Coil kit 12 volt	1
L0150	16-06		149052	O-ring	1
L0100	16-06		11175555	Loop flushing relief valve, 12v, 20L/min	1
L1000	16-06		11013615	Solenoid valve, 12v	1

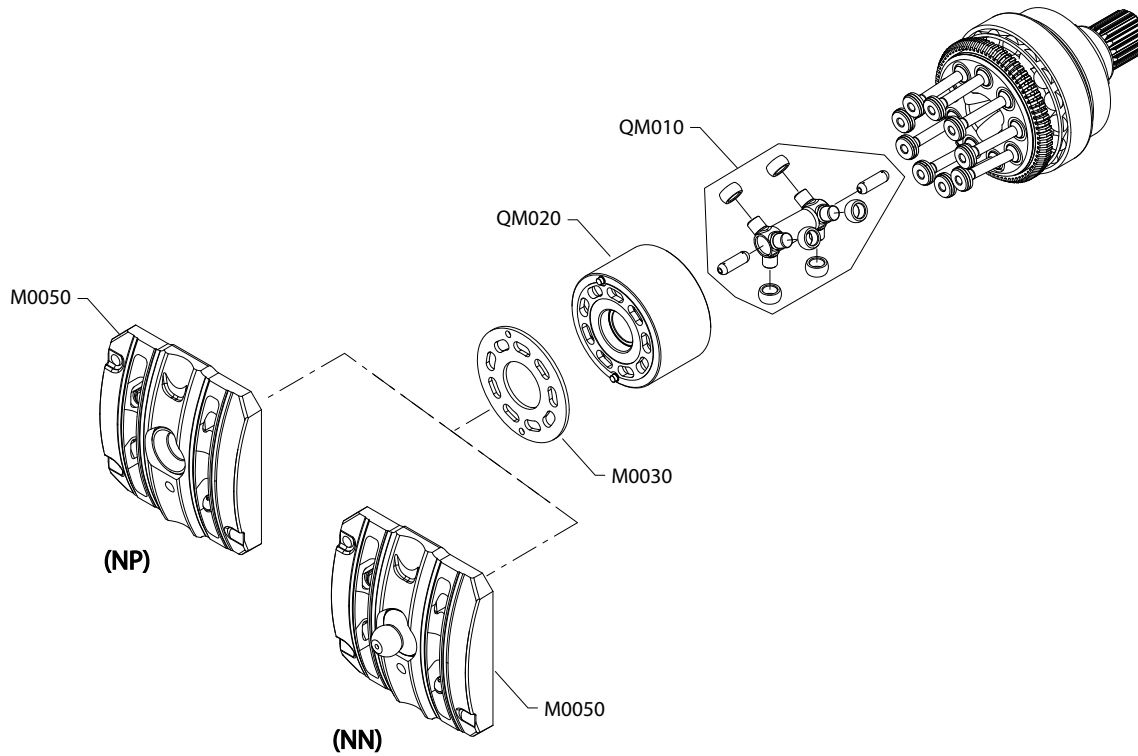
Order code: NN

L0100	08-14		11027278	Plug assembly	1
L0150	08-14		149052	O-ring	1

Special hardware and displacement

H1B 110cc special hardware NN, NP

Parts configuration



* Included in overhaul seal kit Q210

Special hardware and displacement

Order code: NN

Item	Date Begin	Date End	Part Number	Part Name	Qty. per Model/Kit
QM010	08-14		11051899	Synch shaft assembly	1
QM020	08-14		11051895	Cylinder block assembly	1
M0030	08-14		515368	Bearing plate	1
M0050	18-16		11021256	Valve segment assembly (2-position)	1

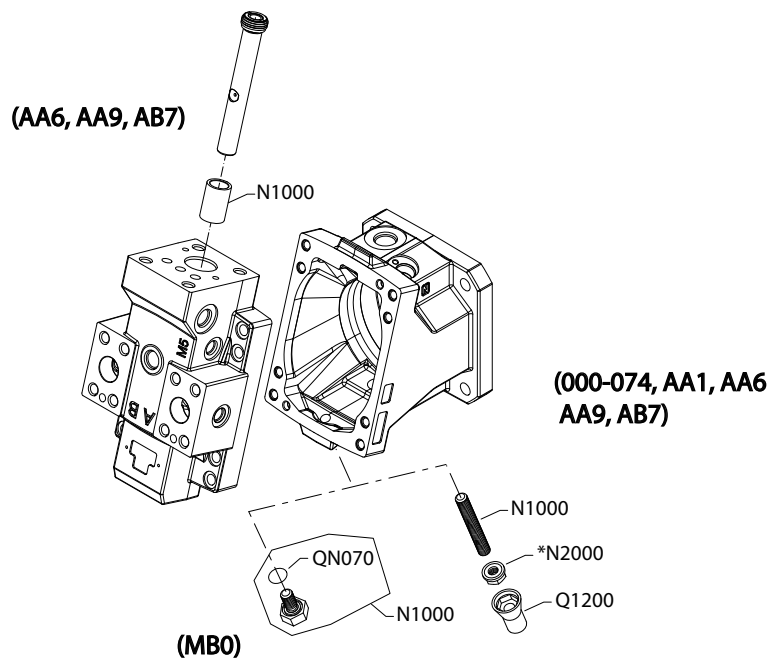
Order code: NP

QM010	08-14		11051899	Synch shaft assembly	1
QM020	08-14		11051895	Cylinder block assembly	1
M0030	08-14		515368	Bearing plate	1
M0050	18-16		11001379	Valve segment assembly (proportional)	1

Special hardware and displacement

H1B 110cc minimum displacement

Minimum displacement 000-074, AA1-MB0 configuration



* Included in overhaul seal kit Q210

Special hardware and displacement

Order code: 000

Item	Date Begin	Date End	Part Number	Part Name	Qty. per Model/Kit
N1000	08-14		11012777	Set screw, 0-21cc, M12 x 65mm (SB-2014-013)	1
N2000	08-14		076042	Seal nut, M12	1
Q1200	08-14		770842	Plastic cap, green	1

Order code: 022-046

N1000	08-14		076109	Set screw, 22-46cc, M12 x 80mm (SB-2014-013)	1
N2000	08-14		076042	Seal nut, M12	1
Q1200	08-14		770842	Plastic cap, green	1

Order code: 047-074

N1000	08-14		11012778	Set screw, 47-74cc, M12 x 95mm (SB-2014-013)	1
N2000	08-14		076042	Seal nut, M12	1
Q1200	08-14		770842	Plastic cap, green	1

Order code: AA1

N1000	10-19		750653	Set screw, 80cc, M12 x 100mm	1
N2000	10-19		076042	Seal nut, M12	1
Q1200	10-19		770842	Plastic cap, green	1

Order code: AA6

N1000	10-27		11106517	Set screw, 90cc, special, 2-position, M12 x 40mm	1
N2000	10-27		076042	Seal nut, M12	1
N4000	10-27		11117467	Spacer, 54.20mm	1
Q1200	10-27		770842	Plastic cap, green	1

Order code: AA9

N1000	12-44		11106517	Set screw, 35cc, special, 2-position, M12 x 40mm	1
N2000	12-44		076042	Seal nut, M12	1
N4000	12-44		11133433	Spacer, 20.26mm	1
Q1200	12-44		770842	Plastic cap, green	1

Order code: AB7

N1000	15-30		11106517	Set screw, 35cc, special, 2-position, M12 x 40mm	1
N2000	12-44		076042	Seal nut, M12	1
N4000	12-44		11169366	Spacer, 49.10mm	1
Q1200	12-44		770842	Plastic cap, green	1

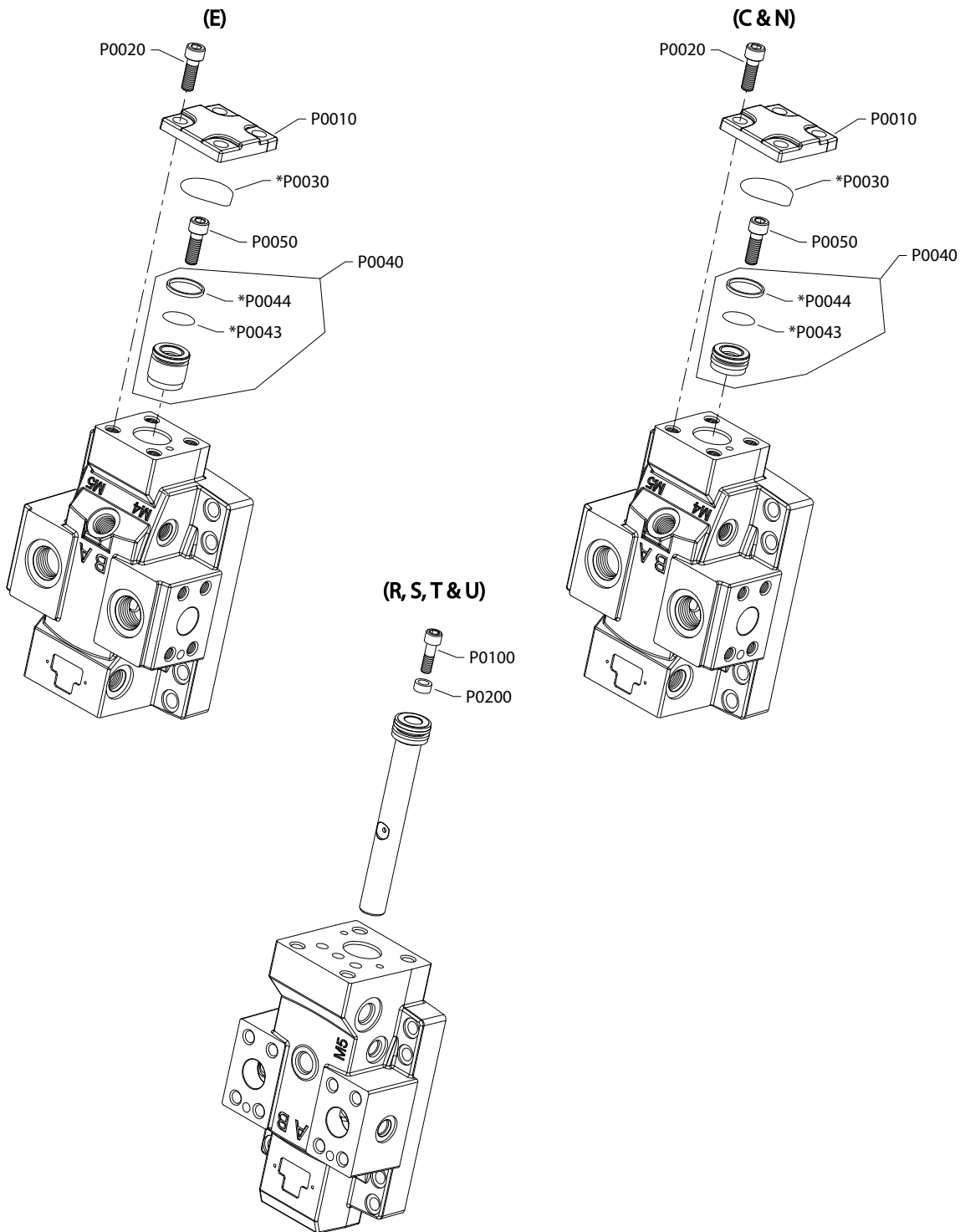
Order code: MB0

N1000	15-28		11161812	Seal plug assembly, M12	1
QN070	15-28		11001952	O-ring	1

Special hardware and displacement

H1B 110cc maximum displacement

Parts configuration



* Included in overhaul seal kit Q210

Special hardware and displacement

Order code: C

Item	Date Begin	Date End	Part Number	Part Name	Qty. per Model/Kit
P0010	16-48		11001110	Servo piston cover	1
P0020	16-48		737866 (9007314-1207)	Screw, M12 x 30	4
P0030	16-48		11050757	O-ring	1
P0040	16-48		11187184	Servo piston assembly	1
P0043	16-48		315242	O-ring	1
P0044	16-48		648345	Piston ring	1
P0050	16-48		737866 (9007314-1207)	Screw, M12 x 30	1

Order code: E

P0010	15-30		11001110	Servo piston cover	1
P0020	15-30		737866 (9007314-1207)	Screw, M12 x 30	4
P0030	15-30		11050757	O-ring	1
P0040	15-30		11169370	Servo piston assembly	1
P0043	15-30		315242	O-ring	1
P0044	15-30		648345	Piston ring	1
P0050	15-30		737866 (9007314-1207)	Screw, M12 x 30	1

Order code: N

P0010	08-14		11001110	Servo piston cover	1
P0020	08-14		737866 (9007314-1207)	Screw, M12 x 30	4
P0030	08-14		11050757	O-ring	1
P0040	08-14		11001377	Servo piston assembly	1
P0043	08-14		315242	O-ring	1
P0044	08-14		648345	Piston ring	1
P0050	08-14		737866 (9007314-1207)	Screw, M12 x 30	1

Order code: R

P0100	14-27		506969	Screw, M8 x 25	1
P0200	14-27		11150588	Spacer, 7.05mm	1

Order code: S

P0100	08-14		506969	Screw, M8 x 25	1
P0200	08-14		11043938	Spacer, 10.80mm	1

Order code: T

P0100	14-27		506969	Screw, M8 x 25	1
P0200	14-27		11148125	Spacer, 14.16mm	1

Order code U

P0100	10-30		710855	Screw, M8 x 35	1
P0200	10-30		11087239	Spacer, 17.86mm	1

Overhaul seal kit
H1B 110cc seal kit

Item	Date Begin	Date End	Part Number	Part Name	Qty. per Model/Kit
Q210	08-14		11172540	Overhaul seal kit, H1B110	1
B0034	08-14		085043 (9004201-3700)	O-ring, 11.89 x 1.98, nitrile	2
B0035	08-14		11001952	O-ring, 18.00 x 1.50, nitrile	1
C0130	08-14		149040	Control seal	1
C0130	08-14		11016168	Control seal, 2-position	1
G0020	08-14		519022	Lip seal	1
G0070	08-14		149033	End cap gasket, H1B110	1
J0041	08-14		018499 (9004100-0160)	O-ring, 15.60 x 1.78, nitrile	1
L0150	08-14		149052	O-ring, 15.30 x 2.20, nitrile	1
M223	08-14		085043 (9004201-3700)	O-ring, 11.89 x 1.98, nitrile	1
M224	08-14		11197086	O-ring, 6.07 x 1.78, viton	1
N2000	08-14		076042	Seal nut, M12	1
P0030	08-14		11050757	O-ring, 47.00 x 3.00, nitrile	1
P0043	08-14		315242	O-ring, 26.64 x 2.62, nitrile	1
P0044	08-14		648345	Piston ring	1
Q1200	08-14		770842	Plastic cap, green	1
QC160	08-14		039297 (9004201-1200)	O-ring, 6.07 x 1.63, nitrile	1
QG050	08-14		001123 (9004201-2500)	O-ring, 8.92 x 1.83, nitrile	1
QG055	08-14		039297 (9004201-1200)	O-ring, 6.07 x 1.63, nitrile	1
QK040	08-14		149052	O-ring, 15.30 x 2.20, nitrile	1
QK050	08-14		149052	O-ring, 15.30 x 2.20, nitrile	1

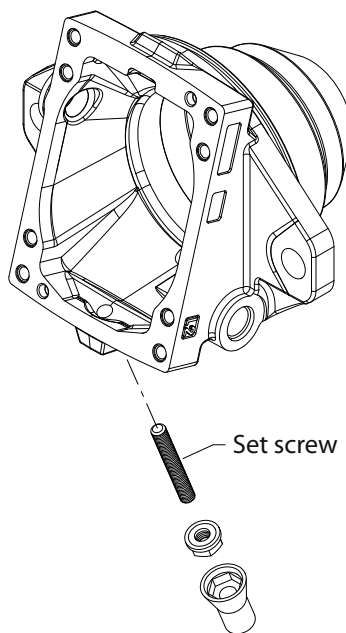
Service bulletin

SB-2014-013

Products affected H1B 110cc bent axis motors

Subject Adjustable minimum angle screw

Description As a product improvement, Danfoss has changed the displacement range for the adjustable minimum angle screw on the H1B 110cc motors.
 The range of adjustment changes are reflected in new part numbers. Old part numbers become obsolete with this change.



Models affected H1B 110cc bent axis motors

Serial numbers This change took effect at serial number: N-14-12-XXXXX (12-March-2014)

Part numbers affected

Description	Old part number	New part number
0-19cc	-	11012777
0-31cc	750646	-
20-46cc	-	076109
32-60cc	749564	-
47-74cc	-	11012778
61-74cc	750653	-

Parts disposition Update as needed

Service bulletin

SB-2018-028

Products affected

H1B motors

Subject

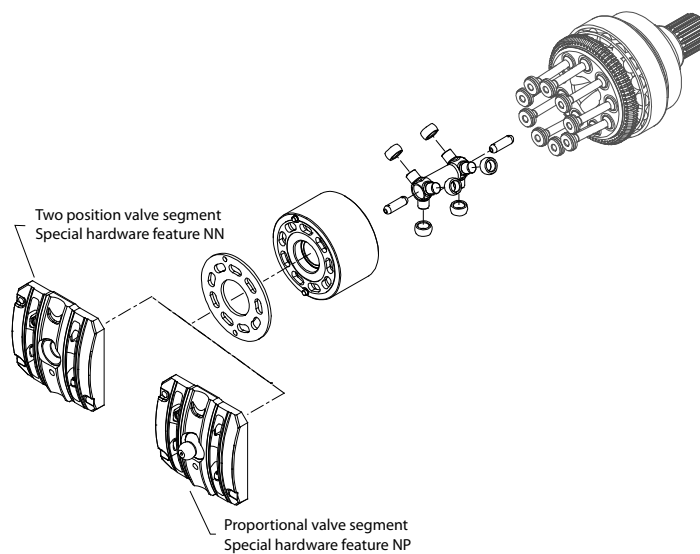
Parts manual change for valve segment assembly

Description

Danfoss has reorganized topics in the Parts Manual for H1B 60cc, 80cc, 110cc, 160cc, 210cc and 250cc motors. The valve segment assembly (Item QF080) has been moved to the "Special Hardware/Common Parts" section (Option M). It was formerly located in the "End Cap" section (Option F).

Because of the move, 2-position and proportional valve segments will need to be included in their own order code designation. The order code for 2-position valve segments will be NN and the order code for proportional valve segments will be NP.

Part numbers have not changed.



Models affected

H1B 60, 80, 110, 160, 210 and 250cc motors

Serial numbers

This change became effective at 18-12-xxxxx

Part number affected

Not applicable

Parts disposition

Not applicable

Products we offer:

- DCV directional control valves
- Electric converters
- Electric machines
- Electric motors
- Hydrostatic motors
- Hydrostatic pumps
- Orbital motors
- PLUS+1® controllers
- PLUS+1® displays
- PLUS+1® joysticks and pedals
- PLUS+1® operator interfaces
- PLUS+1® sensors
- PLUS+1® software
- PLUS+1® software services, support and training
- Position controls and sensors
- PVG proportional valves
- Steering components and systems
- Telematics

Danfoss Power Solutions is a global manufacturer and supplier of high-quality hydraulic and electric components. We specialize in providing state-of-the-art technology and solutions that excel in the harsh operating conditions of the mobile off-highway market as well as the marine sector. Building on our extensive applications expertise, we work closely with you to ensure exceptional performance for a broad range of applications. We help you and other customers around the world speed up system development, reduce costs and bring vehicles and vessels to market faster.

Danfoss Power Solutions – your strongest partner in mobile hydraulics and mobile electrification.

Go to www.danfoss.com for further product information.

We offer you expert worldwide support for ensuring the best possible solutions for outstanding performance. And with an extensive network of Global Service Partners, we also provide you with comprehensive global service for all of our components.

Comatrol

www.comatrol.com

Turolla

www.turollaocg.com

Hydro-Gear

www.hydro-gear.com

Daikin-Sauer-Danfoss

www.daikin-sauer-danfoss.com

Local address:

**Danfoss
Power Solutions (US) Company**
2800 East 13th Street
Ames, IA 50010, USA
Phone: +1 515 239 6000

**Danfoss
Power Solutions GmbH & Co. OHG**
Krokamp 35
D-24539 Neumünster, Germany
Phone: +49 4321 871 0

**Danfoss
Power Solutions ApS**
Nordborgvej 81
DK-6430 Nordborg, Denmark
Phone: +45 7488 2222

**Danfoss
Power Solutions Trading
(Shanghai) Co., Ltd.**
Building #22, No. 1000 Jin Hai Rd
Jin Qiao, Pudong New District
Shanghai, China 201206
Phone: +86 21 3418 5200

Danfoss can accept no responsibility for possible errors in catalogues, brochures and other printed material. Danfoss reserves the right to alter its products without notice. This also applies to products already on order provided that such alterations can be made without subsequent changes being necessary in specifications already agreed. All trademarks in this material are property of the respective companies. Danfoss and the Danfoss logotype are trademarks of Danfoss A/S. All rights reserved.