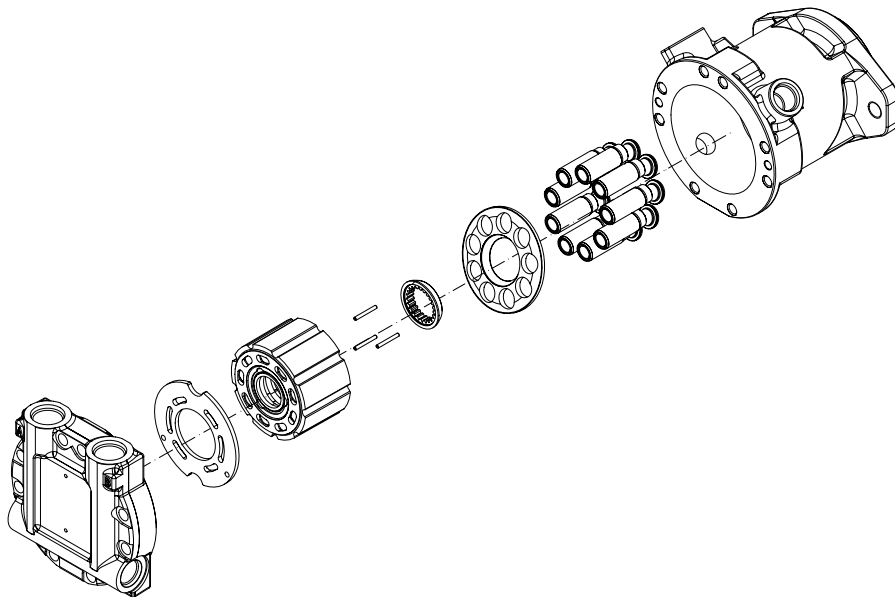


Parts Manual

# MP1 Axial Piston Motors

## Size 20/24



**Revision history**

*Table of revisions*

<b>Date</b>	<b>Changed</b>	<b>Rev</b>
February 2020	First edition	0101

## Contents

### General information

Service Parts Identification.....	4
Nameplate.....	4
Date code.....	5
About service bulletins.....	5
Procedure to identify a part.....	5
Adobe Acrobat 2-page viewing.....	6
Order code.....	7

### Shaft

Shaft A.....	8
Shaft C.....	10
Shaft E.....	12
Shaft F.....	14
Shaft G.....	16
Shaft H.....	18
Shaft J.....	20
Shaft K.....	22
Shaft L.....	24

### Porting type

Porting type A1.....	26
Porting type B1.....	28
Porting type B2.....	30
Porting type C1.....	32
Porting type C2.....	34
Porting type D1.....	36
Porting type D2.....	38
Porting type E1.....	40

### Housing

Housing AA, DA.....	42
Housing AB, DB.....	44
Housing AN, DN.....	46
Housing BA, EA.....	48
Housing BB, EB.....	50
Housing BN, EN.....	52
Housing CA, FA.....	54
Housing CB, FB.....	56
Housing CN, FN.....	58

### Displacement

Displacement 20A, 24A.....	60
----------------------------	----

### Overhaul seal kit

MP1M seal kit.....	62
--------------------	----

## General information

### Service Parts Identification

The following information and procedure is used to identify the module group, item number, manufacture date, part number, and part name of the parts included in the MP1 motor.

The parts listed include all parts which may be used when performing either “Minor Repairs”, “Major Repairs” or “Conversions” on the MP1M.

### Nameplate

Each unit will have a nameplate affixed to the housing. The nameplate will include the following information:

#### Model Code

The Danfoss model code completely defines the specific unit and must be used when ordering parts to service this product.

#### Model Number

The Danfoss model number is used by the factory in manufacturing. On repeat orders, a complete unit can be ordered by the model number.

#### Serial Number

The Danfoss serial number is used to identify the manufacture date and the unit sequence in the build. The serial number is also used to identify the units warranty time period.

The letter code indicates the location of original manufacture (assembly).

The first number (2 digits) indicates the year of manufacture. The second number (2 digits) indicates the calendar week of manufacture.

The third number (5 digits) is a sequential number used to identify a specific unit.



## General information

### Date code

The date code is defined as the year and week of manufacture. The same item number may list more than one part number. This indicates that there is more than one configuration for that item number. You will see that there are different date codes for the different part numbers. Find the date code of your unit from the nameplate to determine which service part number you need to order.

*Example: The service part desired is item G30*

Order Code	Item	Date Begin	Date End	Part Number	Part Name	Qty. per Model/Kit
80	G30	89-17		8000243	End cap gasket	1
	G30		89-16	8000151	End cap gasket (SB-1995-006)	1

All units using this order code with a date code prior to 89-17 must use part number "8000151." All units with a date code of 89-17 and newer must use part number "8000243."

### About service bulletins

A Service Bulletin Number (SB-\_\_\_\_ - \_\_\_\_) may follow the "Part Name" of the part you desire. You must read that Service Bulletin prior to ordering that part. The information contained in these Service Bulletins, as of the print date of this bulletin, are included at the end of this manual. Service Bulletins contain more detailed information such as interchangeability, what additional parts are involved, etc. It is suggested that you add additional Service Bulletins to this manual as you receive them.

### Procedure to identify a part

The modular design of this product results in a simplified service parts list and part number identification procedure.

The same item numbers are used for same part names on all units within a product type. A part number that has another number following it in parentheses is done to make this a world wide manual.

### Regional part numbers

Some part numbers are region specific and should be ordered accordingly.

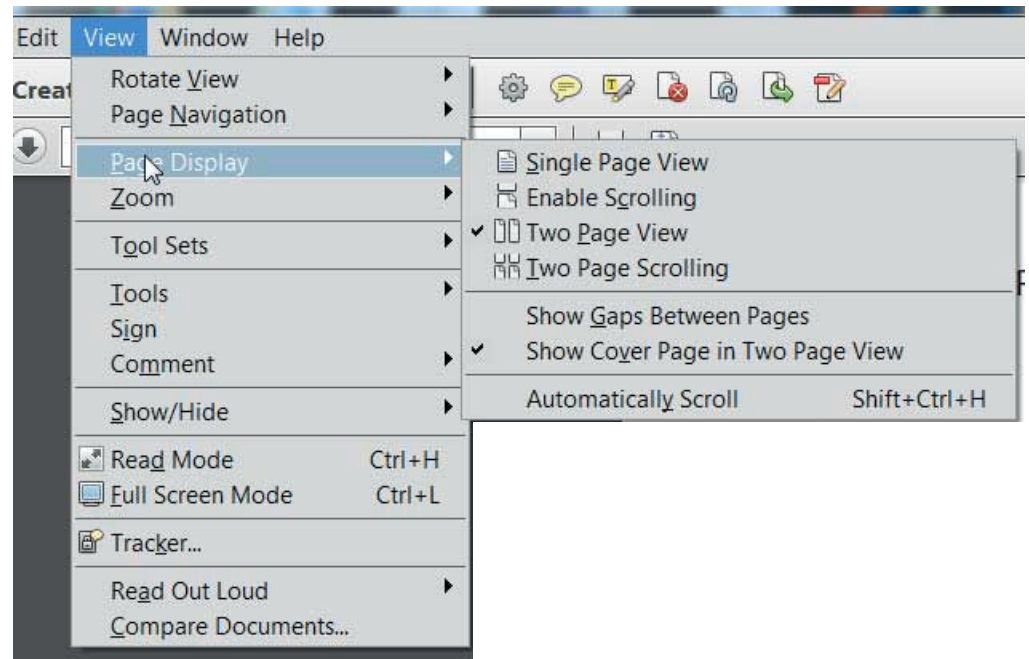
As an example, the part number (example: 314583 (9008000-0118)) will be used. The first number is sold in Germany. The number in parentheses is sold in the United States. Customers would order 9008000-0118 if ordering the part in the United States.

## General information

### Adobe Acrobat 2-page viewing

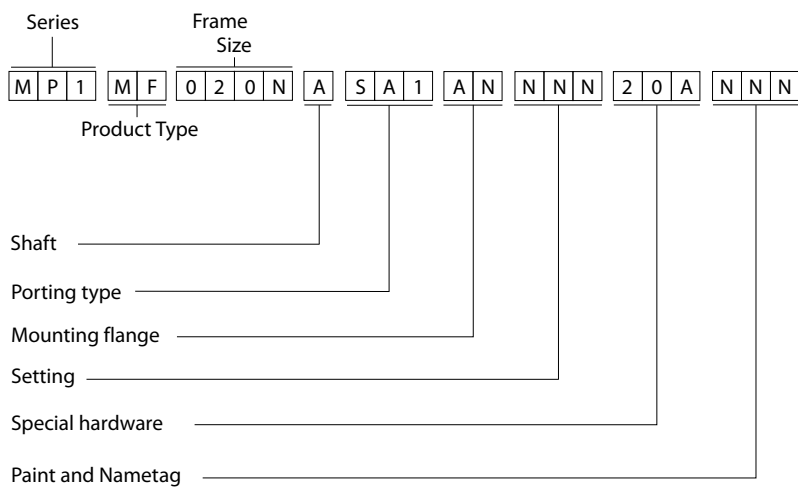
While viewing manual in Adobe Acrobat, the following settings need to be applied to ensure proper page display.

1. Select "View" → "Page Display" → "Two Page View"
2. Select "View" → "Page Display" → "Show Cover Page in Two Page View"



### General information

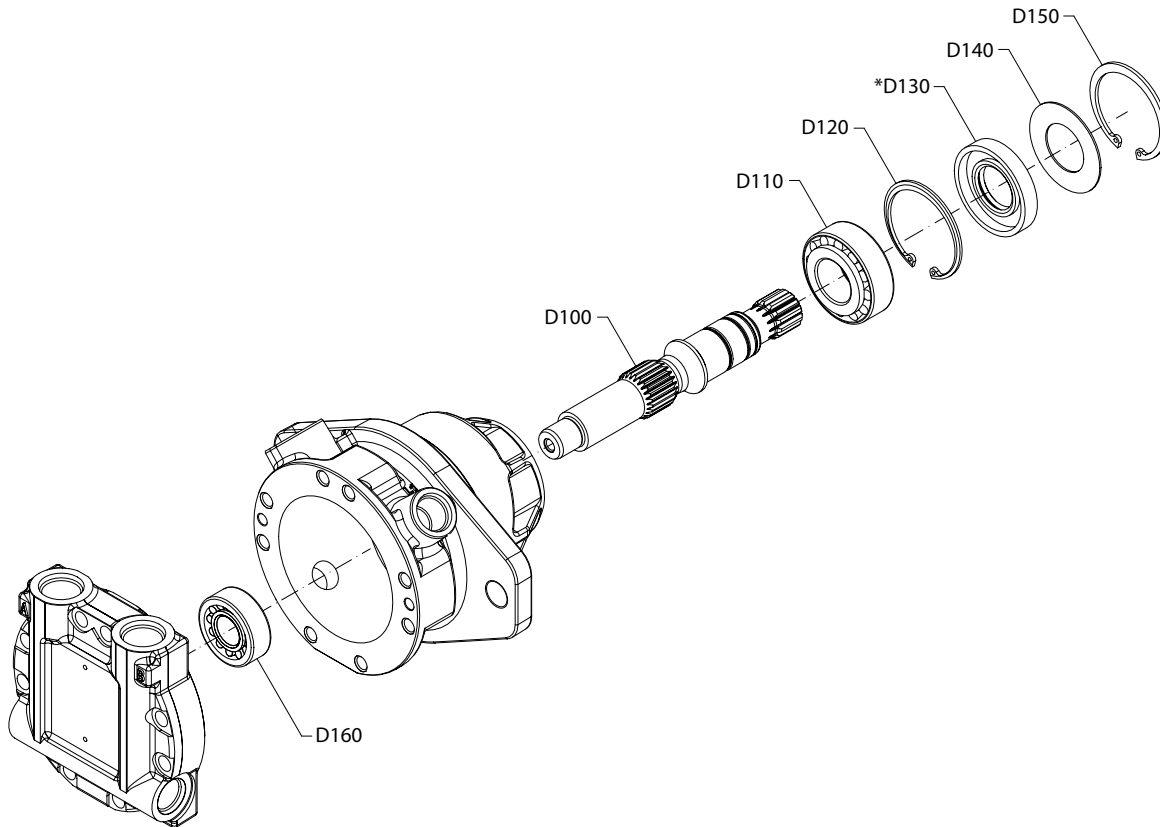
#### Order code



## Shaft

### MP1M shaft A

Parts configuration



---

Generic housing and endcap used to show part location only.

---

\* Included in overhaul seal kit Q210



## Shaft

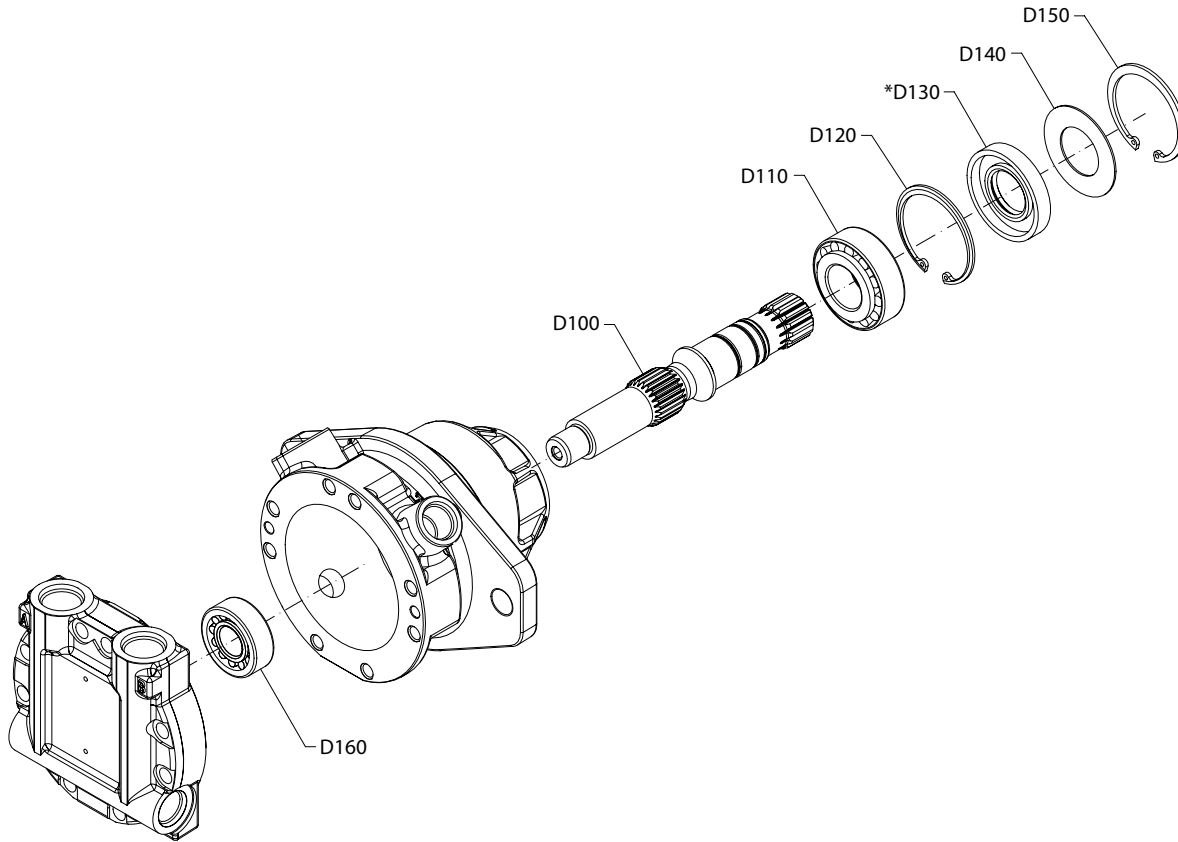
Order code: A

Item	Date Begin	Date End	Part Number	Part Name	Qty. per Model/Kit
D100	18-48		11228796	Shaft, 13T, 16/32 pitch	1
D110	18-48		11228797	Roller bearing, tapered	1
D120	18-48		11228820	Retaining ring	1
D130	18-48		11228821	Lip seal	1
D140	18-48		11228822	Washer	1
D150	18-48		FBE052	Retaining ring	1
D160	18-48		11228823	Roller bearing, tapered	

## Shaft

### MP1M shaft C

Parts configuration



---

Generic housing and endcap used to show part location only.

---

\* Included in overhaul seal kit Q210

## Shaft

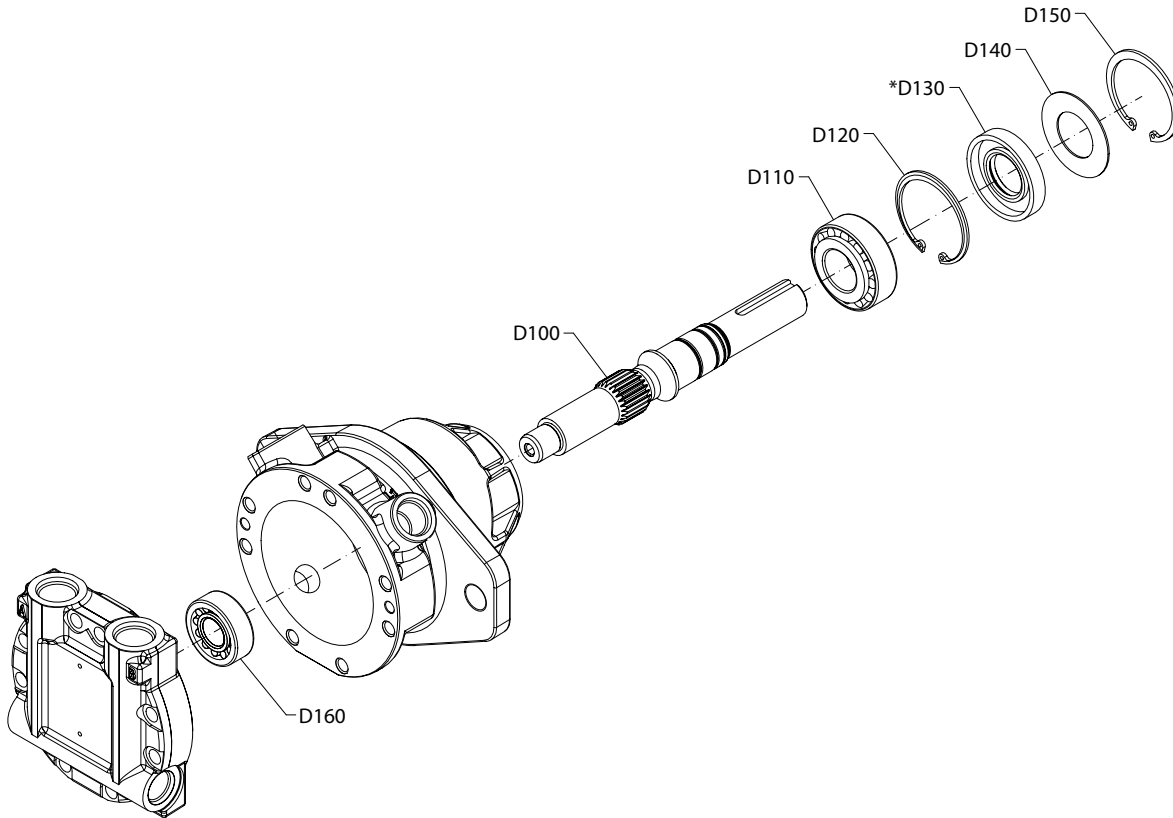
Order code: C

Item	Date Begin	Date End	Part Number	Part Name	Qty. per Model/Kit
D100	18-50		11228832	Shaft, 15T, 16/32 pitch	1
D110	18-50		11228797	Roller bearing, tapered	1
D120	18-50		11228820	Retaining ring	1
D130	18-50		11228821	Lip seal	1
D140	18-50		11228822	Washer	1
D150	18-50		FBE052	Retaining ring	1
D160	18-50		11228823	Roller bearing, tapered	1

## Shaft

### MP1M shaft E

Parts configuration



---

Generic housing and endcap used to show part location only.

---

\* Included in overhaul seal kit Q210

## Shaft

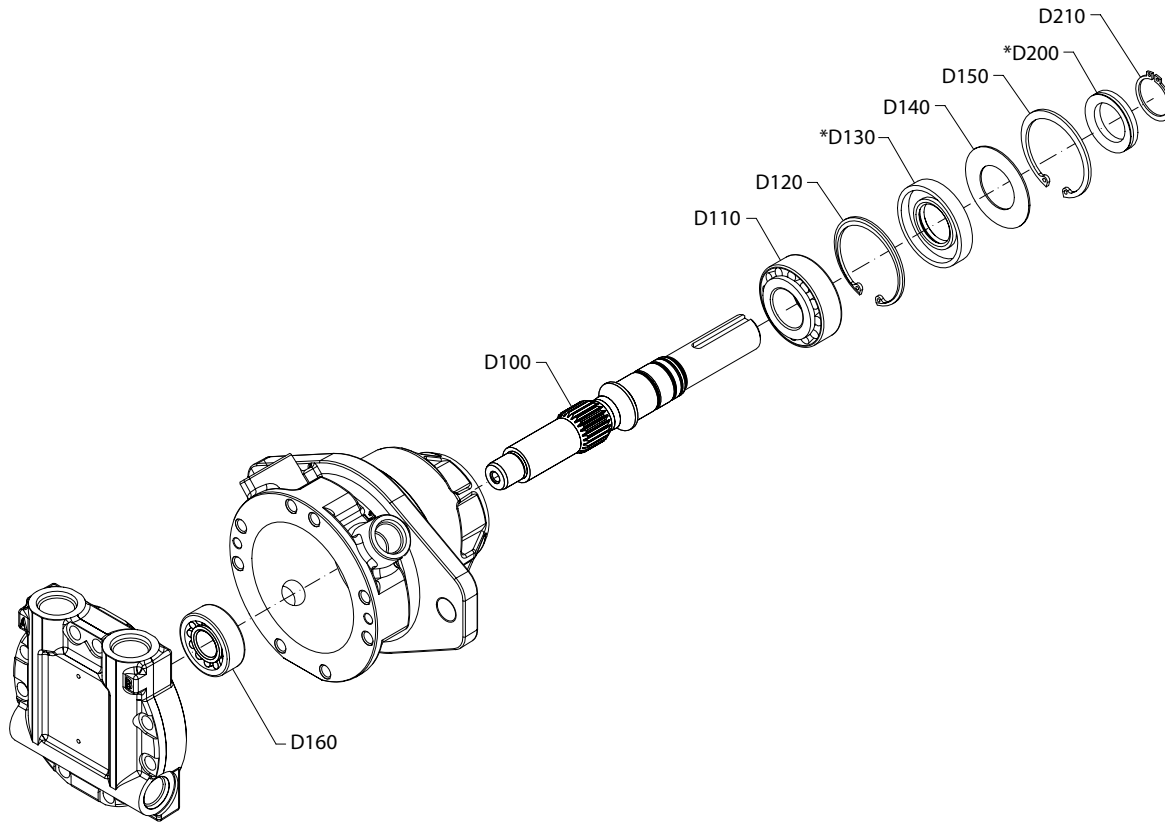
Order code: E

Item	Date Begin	Date End	Part Number	Part Name	Qty. per Model/Kit
D100	18-50		11228829	Shaft with long straight key	1
D110	18-50		11228797	Roller bearing, tapered	1
D120	18-50		11228820	Retaining ring	1
D130	18-50		11228821	Lip seal	1
D140	18-50		11228822	Washer	1
D150	18-50		FBE052	Retaining ring	1
D160	18-50		11228823	Roller bearing, tapered	1

## Shaft

### MP1M shaft F

Parts configuration



---

Generic housing and endcap used to show part location only.

---

\* Included in overhaul seal kit Q210

## Shaft

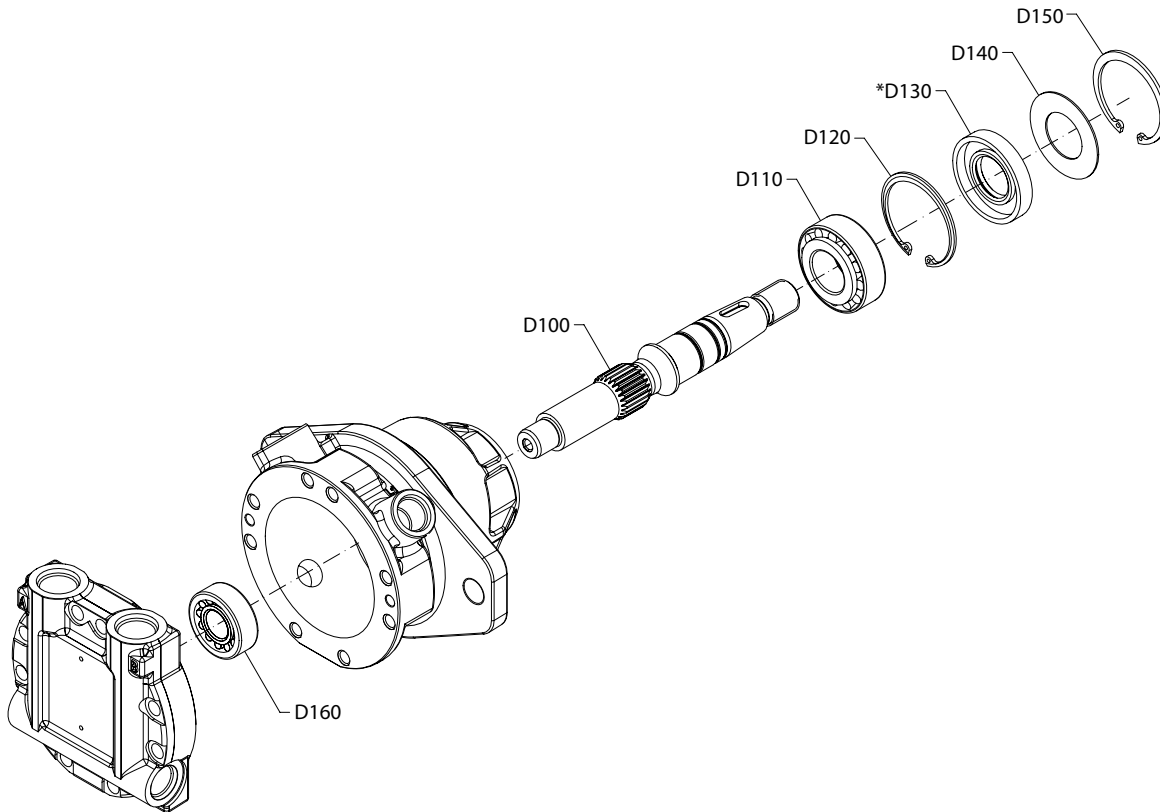
Order code: F

Item	Date Begin	Date End	Part Number	Part Name	Qty. per Model/Kit
D100	18-50		11228829	Shaft with long straight key	1
D110	18-50		11228797	Roller bearing, tapered	1
D120	18-50		11228820	Retaining ring	1
D130	18-50		11228821	Lip seal	1
D140	18-50		11228822	Washer	1
D150	18-50		FBE052	Retaining ring	1
D160	18-50		11228823	Roller bearing, tapered	1
D200	18-50		11228825	Dust seal	1
D210	18-50		FBD025	Retaining ring	1

## Shaft

### MP1M shaft G

Parts configuration



Generic housing and endcap used to show part location only.

\* Included in overhaul seal kit Q210



## Shaft

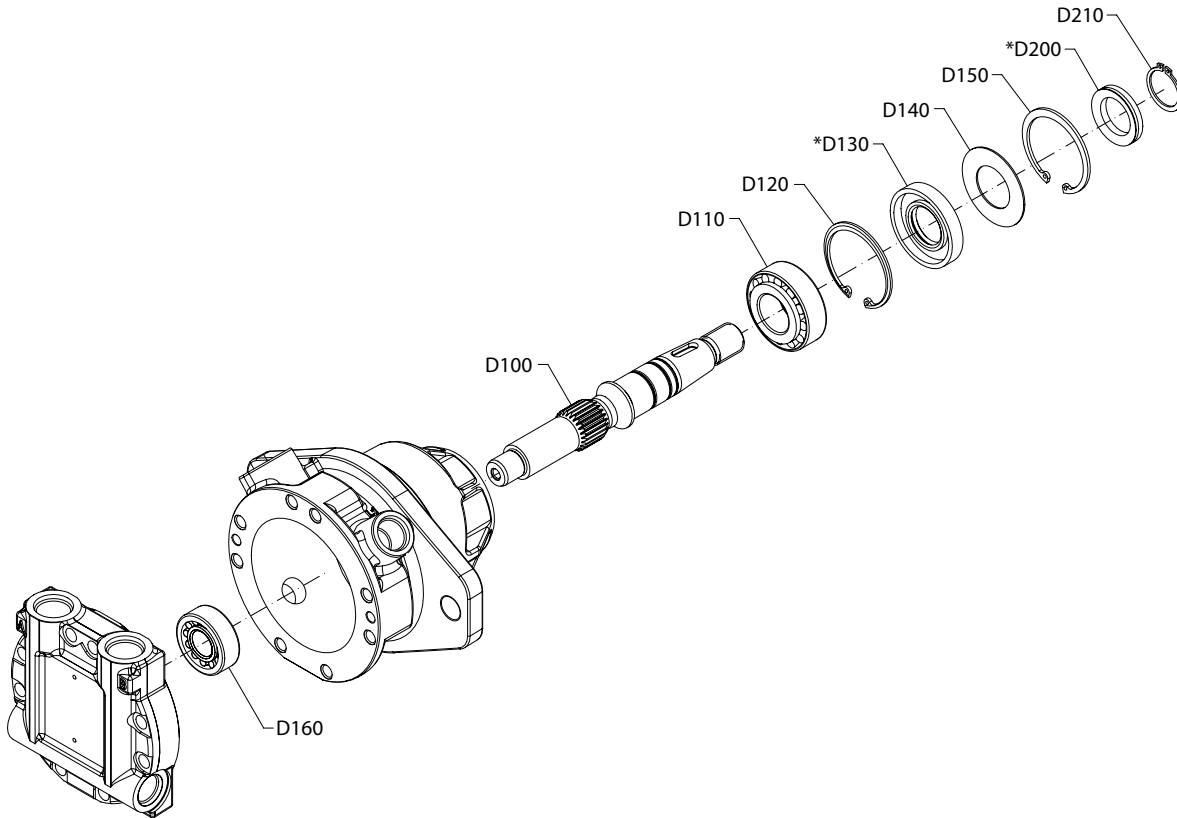
Order code: G

Item	Date Begin	Date End	Part Number	Part Name	Qty. per Model/Kit
D100	18-50		11228842	Shaft, tapered	1
D110	18-50		11228797	Roller bearing, tapered	1
D120	18-50		11228820	Retaining ring	1
D130	18-50		11228821	Lip seal	1
D140	18-50		11228822	Washer	1
D150	18-50		FBE052	Retaining ring	1
D160	18-50		11228823	Roller bearing, tapered	1

## Shaft

### MP1M shaft H

Parts configuration



---

Generic housing and end cap used to show part location only.

---

\* Included in overhaul seal kit Q210

## Shaft

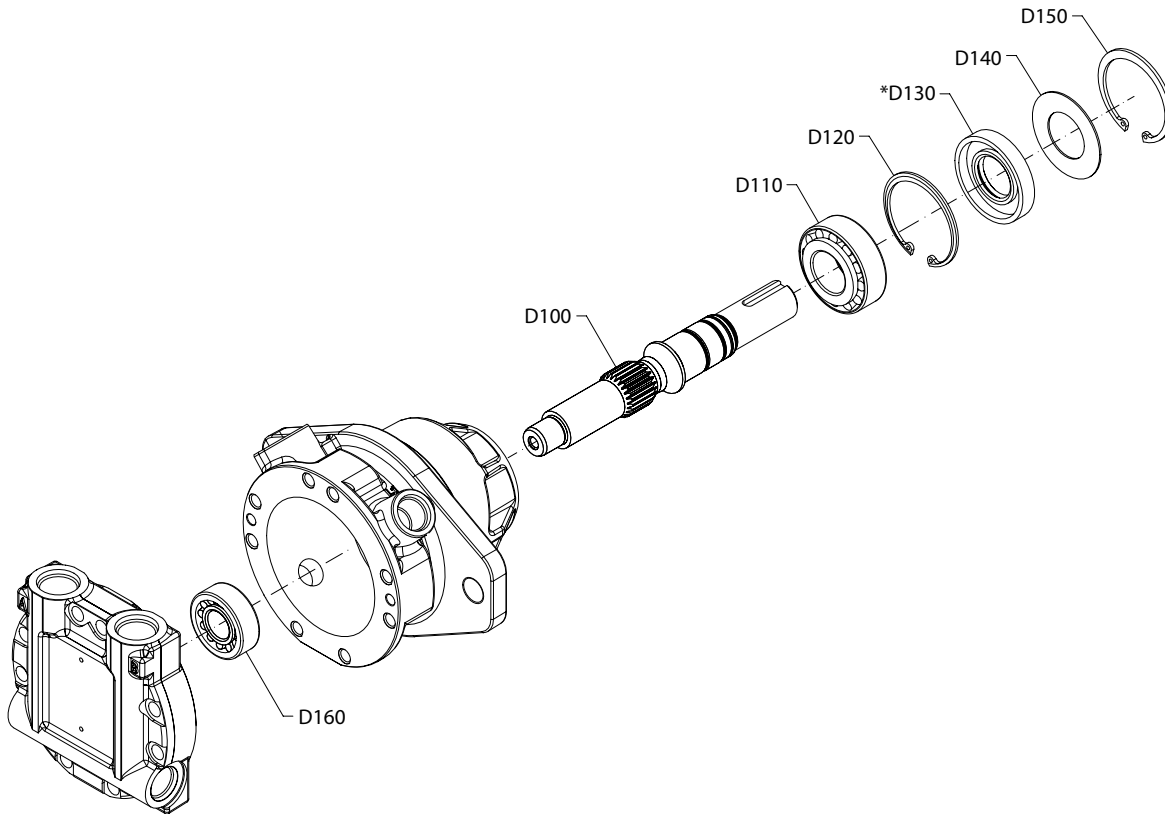
Order code: H

Item	Date Begin	Date End	Part Number	Part Name	Qty. per Model/Kit
D100	18-50		11228842	Shaft, tapered	1
D110	18-50		11228797	Roller bearing, tapered	1
D120	18-50		11228820	Retaining ring	1
D130	18-50		11228821	Lip seal	1
D140	18-50		11228822	Washer	1
D150	18-50		FBE052	Retaining ring	1
D160	18-50		11228823	Roller bearing, tapered	1
D200	18-50		11228825	Dust seal	1
D210	18-50		FBD025	Retaining ring	1

## Shaft

### MP1M shaft J

Parts configuration



---

Generic housing and endcap used to show parts location only.

---

\* Included in overhaul seal kit Q210

## Shaft

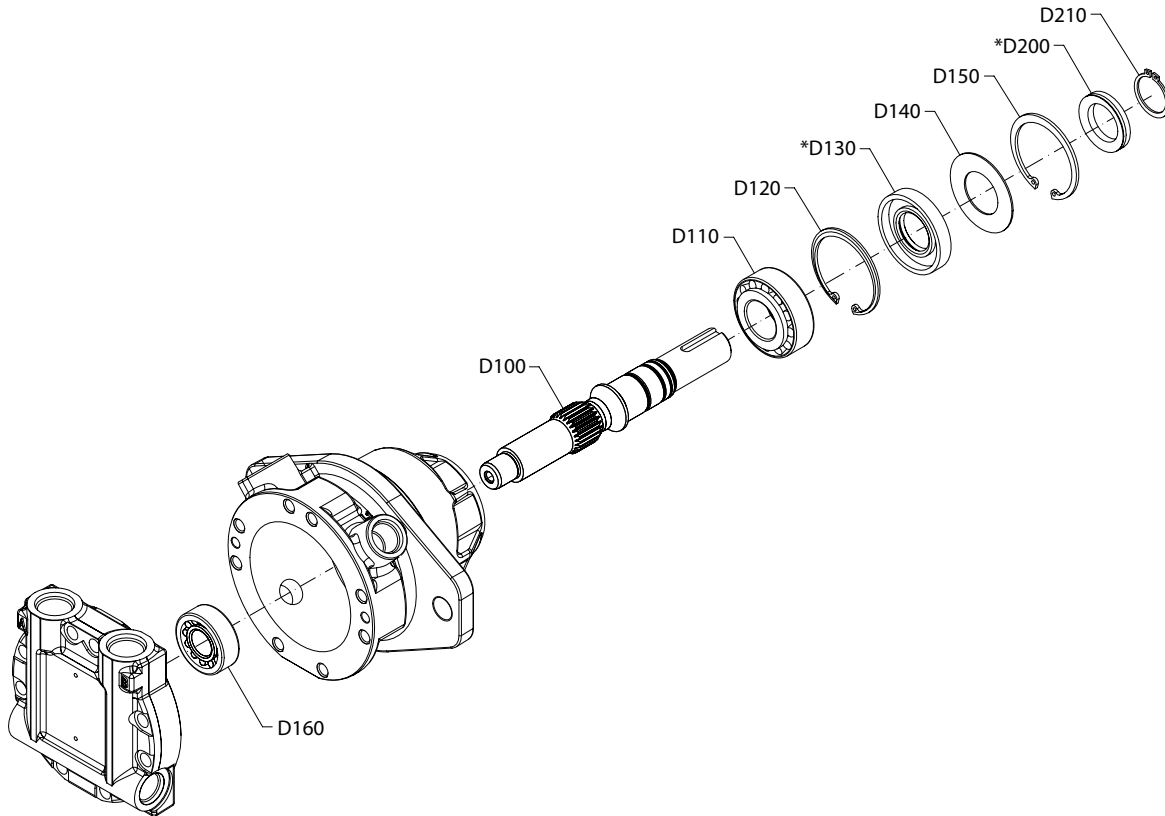
Order code: J

Item	Date Begin	Date End	Part Number	Part Name	Qty. per Model/Kit
D100	18-50		11229631	Shaft with medium straight key	1
D110	18-50		11228797	Roller bearing, tapered	1
D120	18-50		11228820	Retaining ring	1
D130	18-50		11228821	Lip seal	1
D140	18-50		11228822	Washer	1
D150	18-50		FBE052	Retaining ring	1
D160	18-50		11228823	Roller bearing, tapered	1

**Shaft**

**MP1M shaft K**

*Parts configuration*




---

Generic housing and endcap used to show part location only.

---

\* Included in overhaul seal kit Q210

## Shaft

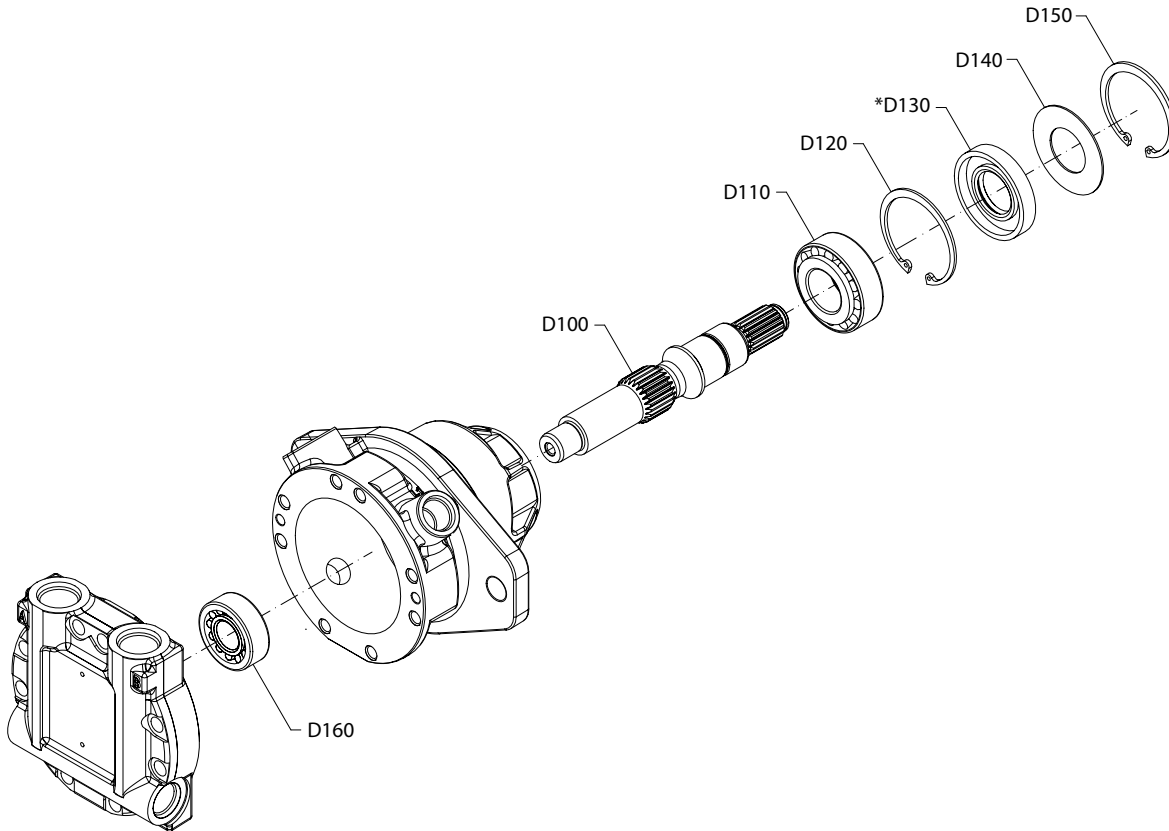
Order code: K

Item	Date Begin	Date End	Part Number	Part Name	Qty. per Model/Kit
D100	18-50		11229631	Shaft with medium shaft key	1
D110	18-50		11228797	Roller bearing, tapered	1
D120	18-50		11228820	Retaining ring	1
D130	18-50		11228821	Lip seal	1
D140	18-50		11228822	Washer	1
D150	18-50		FBE052	Retaining ring	1
D160	18-50		11228823	Roller bearing, tapered	1
D200	18-50		11228825	Dust seal	1
D210	18-50		FBD025	Retaining ring	1

## Shaft

### MP1M shaft L

Parts configuration



Generic housing and endcap used to show part location only.

\* Included in overhaul seal kit Q210



## Shaft

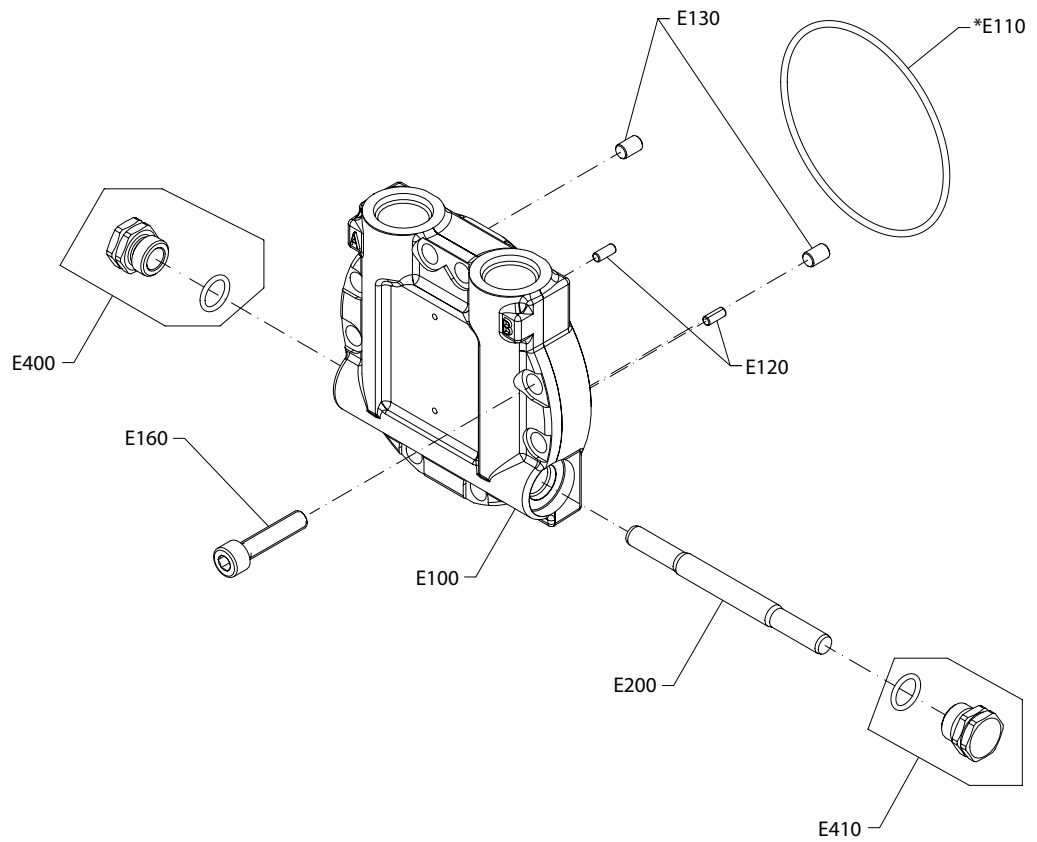
Order code: L

Item	Date Begin	Date End	Part Number	Part Name	Qty. per Model/Kit
D100	19-12		11232693	Shaft, 17T, 24/48 pitch	1
D110	19-12		11228797	Roller bearing, tapered	1
D120	19-12		11228820	Retaining ring	1
D130	19-12		11228821	Lip seal	1
D140	19-12		11228822	Washer	1
D150	19-12		FBE052	Retaining ring	1
D160	19-12		11228823	Roller bearing, tapered	1

Porting type

MP1M porting type A1

Parts configuration



\* Included in overhaul seal kit Q210

This option is available in SAE and metric configuration. Please order accordingly.

### Porting type

#### Common parts

Item	Date Begin	Date End	Part Number	Part Name	Qty. per Model/Kit
E110	19-28		9004104-1530	O-ring	1
E120	19-28		9004800-1506	Straight pin	2
E130	19-28		9004800-2506	Straight pin	2
E160	19-28		092106	Screw	8
E200	19-28		11098213	Loop flushing spool, defeated	1
E400	19-28		1030932-SA	Plug assembly	1
E410	19-28		1030932-SA	Plug assembly	1

#### Order code: A1 (SAE)

E100	19-28		11228906	Endcap, SAE	1
------	-------	--	----------	-------------	---

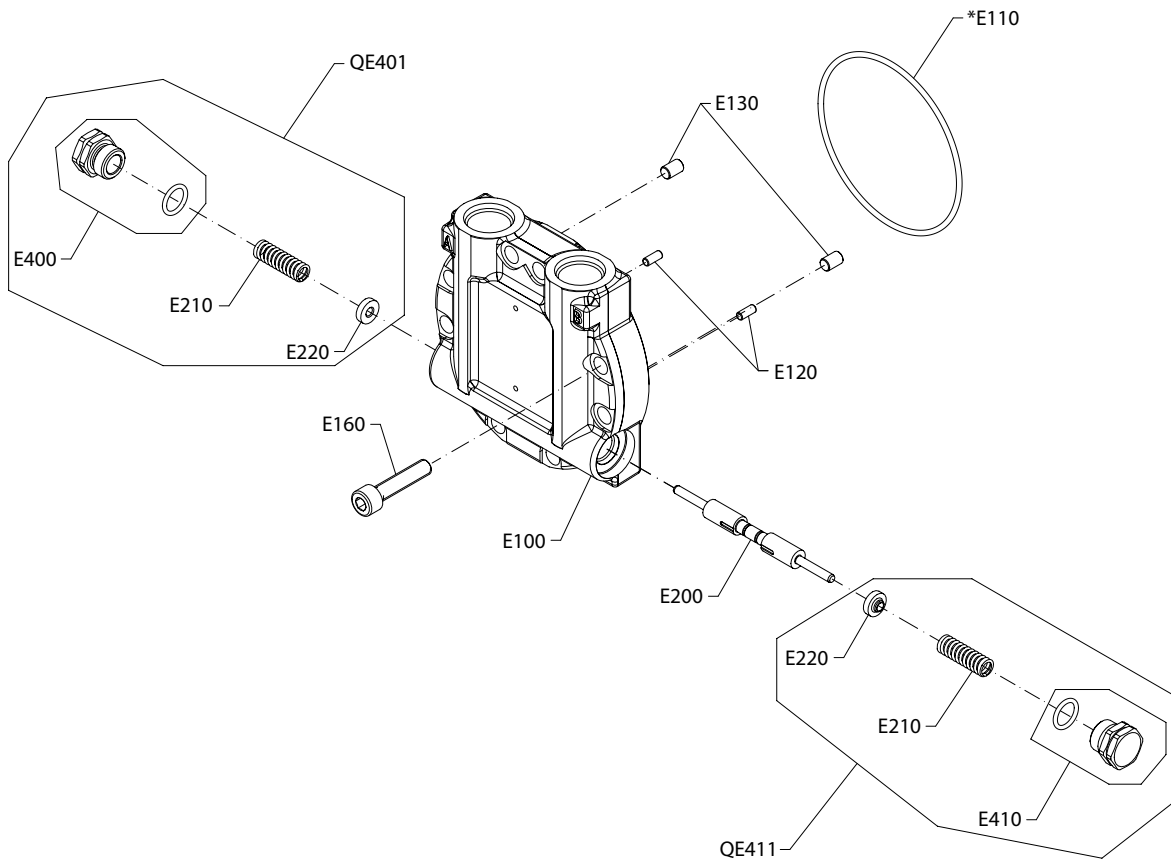
#### Order code: A1 (metric)

E100	19-28		11228999	Endcap, metric	1
------	-------	--	----------	----------------	---

**Porting type**

**MP1M porting type B1**

*Parts configuration*



\* Included in overhaul seal kit Q210

This option is available in SAE and metric configurations. Please order accordingly.

### Porting type

#### Common parts

Item	Date Begin	Date End	Part Number	Part Name	Qty. per Model/Kit
E110	18-48		9004104-1530	O-ring	1
E120	18-48		9004800-1506	Straight pin	2
E130	18-48		9004800-2506	Straight pin	2
E160	18-48		092106	Screw	8
E200	18-48		11229010	Loop flushing spool	1
E210	18-48		11097840	Spring	2
E220	18-48		1745296	Spring guide	2
E400	18-48		1030932-SA	Plug assembly	1
E410	18-48		1030932-SA	Plug assembly	1
QE401	18-48		11231264	Loop flushing spool assembly	1
QE411	18-48		11231266	Loop flushing spool assembly	1

#### Order code: B1 (SAE)

E100	18-48		11228906	Endcap, SAE	1
------	-------	--	----------	-------------	---

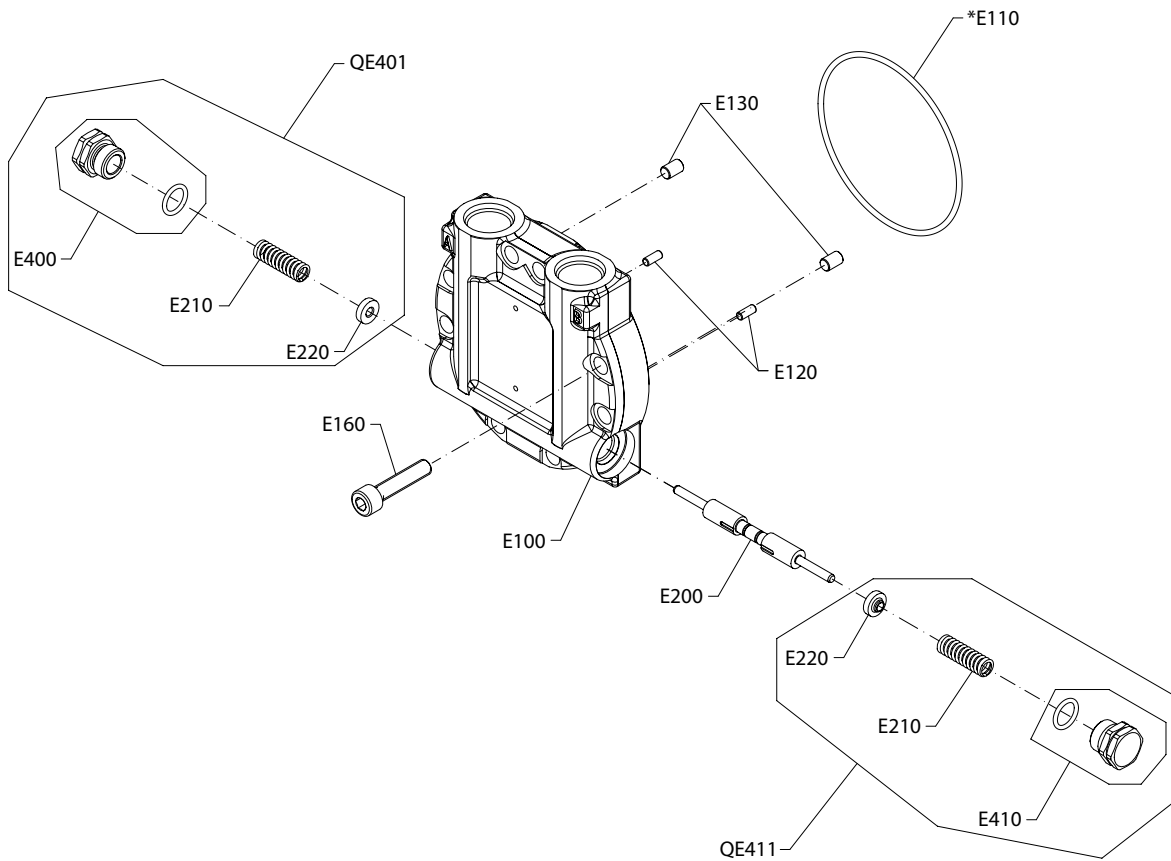
#### Order code: B1 (metric)

E100	18-48		11228999	Endcap, metric	1
------	-------	--	----------	----------------	---

**Porting type**

**MP1M porting type B2**

*Parts configuration*



\* Included in overhaul seal kit Q210

This option is available in SAE and metric configurations. Please order accordingly.

## Porting type

### Common parts

Item	Date Begin	Date End	Part Number	Part Name	Qty. per Model/Kit
E110	19-02		9004104-1530	O-ring	1
E120	19-02		9004800-1506	Straight pin	2
E130	19-02		9004800-2506	Straight pin	2
E160	19-02		092106	Screw	8
E200	19-02		11098179	Loop flushing spool	1
E210	19-02		11097840	Spring	2
E220	19-02		1745296	Spring guide	2
E400	19-02		1030932-SA	Plug assembly	1
E410	19-02		1030932-SA	Plug assembly	1
QE401	19-02		11231264	Loop flushing spool assembly	1
QE411	19-02		11231266	Loop flushing spool assembly	1

### Order code: B2 (SAE)

E100	19-02		11228906	Endcap, SAE	1
------	-------	--	----------	-------------	---

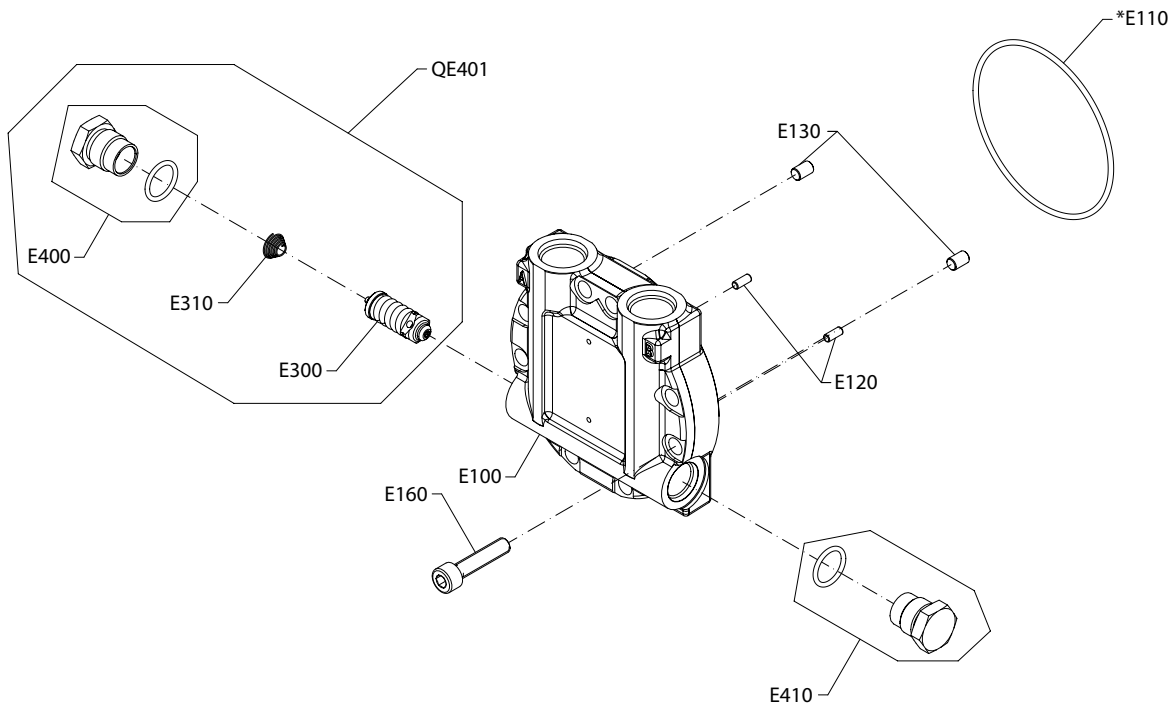
### Order code: B2 (metric)

E100	19-02		11228999	Endcap, metric	1
------	-------	--	----------	----------------	---

**Porting type**

**MP1M porting type C1**

*Parts configuration*



\* Included in overhaul seal kit Q210

This option is available in SAE and metric configurations. Please order accordingly.



## Porting type

### Common parts

Item	Date Begin	Date End	Part Number	Part Name	Qty. per Model/Kit
E110	19-02		9004104-1530	O-ring	1
E120	19-02		9004800-1506	Straight pin	2
E130	19-02		9004800-2506	Straight pin	2
E160	19-02		092106	Screw	8
E300	19-02		3103375-0280	Valve assembly	1
E310	19-02		4800780	Compressed spring	1
E400	19-02		11229004	Plug assembly	1
E410	19-02		11229004	Plug assembly	1
QE401	19-02		11231269	Anti-cavitation valve assembly	1

### Order code: C1 (SAE)

E100	19-02		11229006	Endcap, SAE	1
------	-------	--	----------	-------------	---

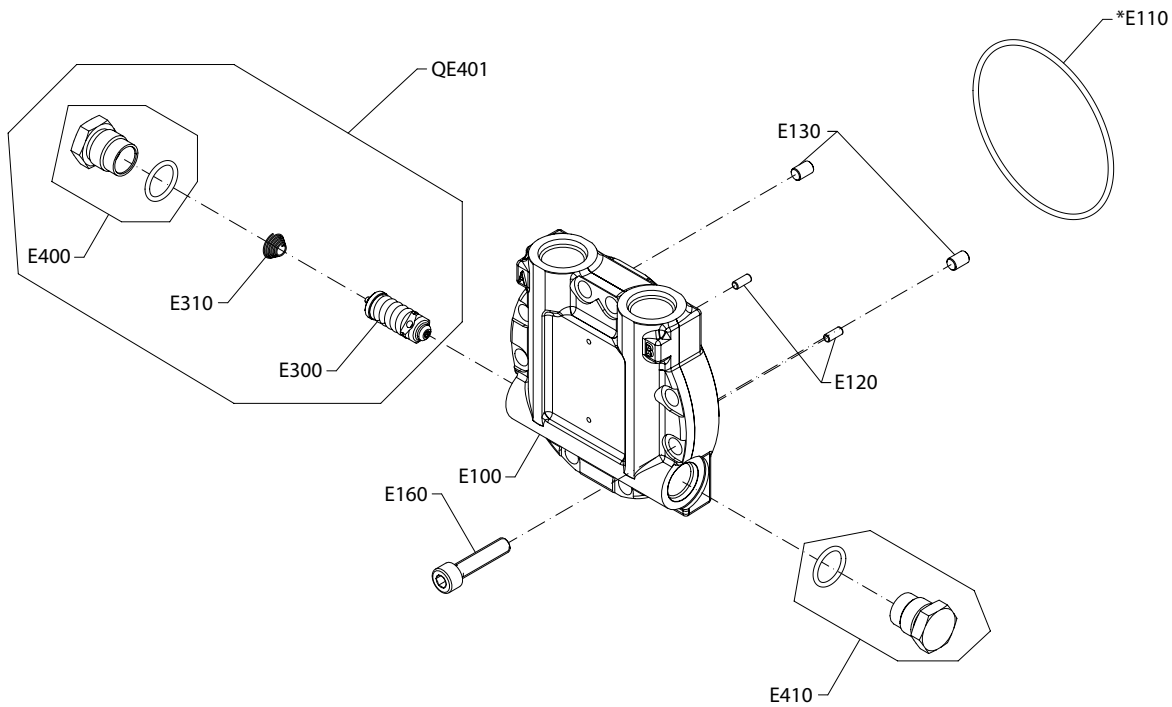
### Order code: C1 (metric)

E100	19-02		11228994	Endcap, metric	1
------	-------	--	----------	----------------	---

**Porting type**

**MP1M porting type C2**

*Parts configuration*



\* Included in overhaul seal kit Q210

This option is available in SAE and metric configurations. Please order accordingly.

## Porting type

### Common parts

Item	Date Begin	Date End	Part Number	Part Name	Qty. per Model/Kit
E110	19-02		9004104-1530	O-ring	1
E120	19-02		9004800-1506	Straight pin	2
E130	19-02		9004800-2506	Straight pin	2
E160	19-02		092106	Screw	8
E300	19-02		3103375-0345	Valve assembly	1
E310	19-02		4800780	Compressed spring	1
E400	19-02		11229004	Plug assembly	1
E410	19-02		11229004	Plug assembly	1
QE401	19-02		11231270	Anti-cavitation valve assembly	1

### Order code: C2 (SAE)

E100	19-02		11229006	Endcap, SAE	1
------	-------	--	----------	-------------	---

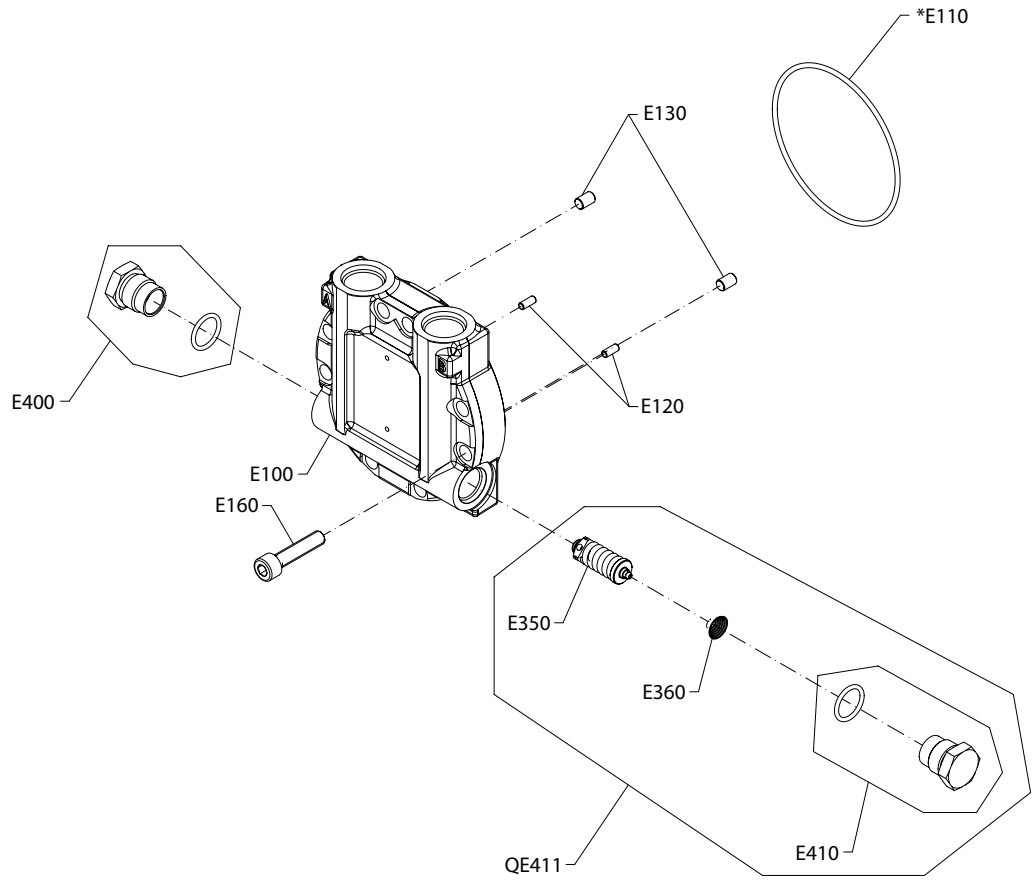
### Order code: C2 (metric)

E100	19-02		11228994	Endcap, metric	1
------	-------	--	----------	----------------	---

Porting type

MP1M porting type D1

Parts configuration



\* Included in overhaul seal kit Q210

This option is available in SAE and metric configurations. Please order accordingly.

### Porting type

#### Common parts

Item	Date Begin	Date End	Part Number	Part Name	Qty. per Model/Kit
E110	19-02		9004104-1530	O-ring	1
E120	19-02		9004800-1506	Straight pin	2
E130	19-02		9004800-2506	Straight pin	2
E160	19-02		092106	Screw	8
E350	19-02		3103375-0280	Valve assembly	1
E360	19-02		4800780	Compressed spring	1
E400	19-02		11229004	Plug assembly	1
E410	19-02		11229004	Plug assembly	1
QE411	19-02		11231412	Anti-cavitation valve assembly	1

#### Order code: D1 (SAE)

E100	19-02		11229006	Endcap, SAE	1
------	-------	--	----------	-------------	---

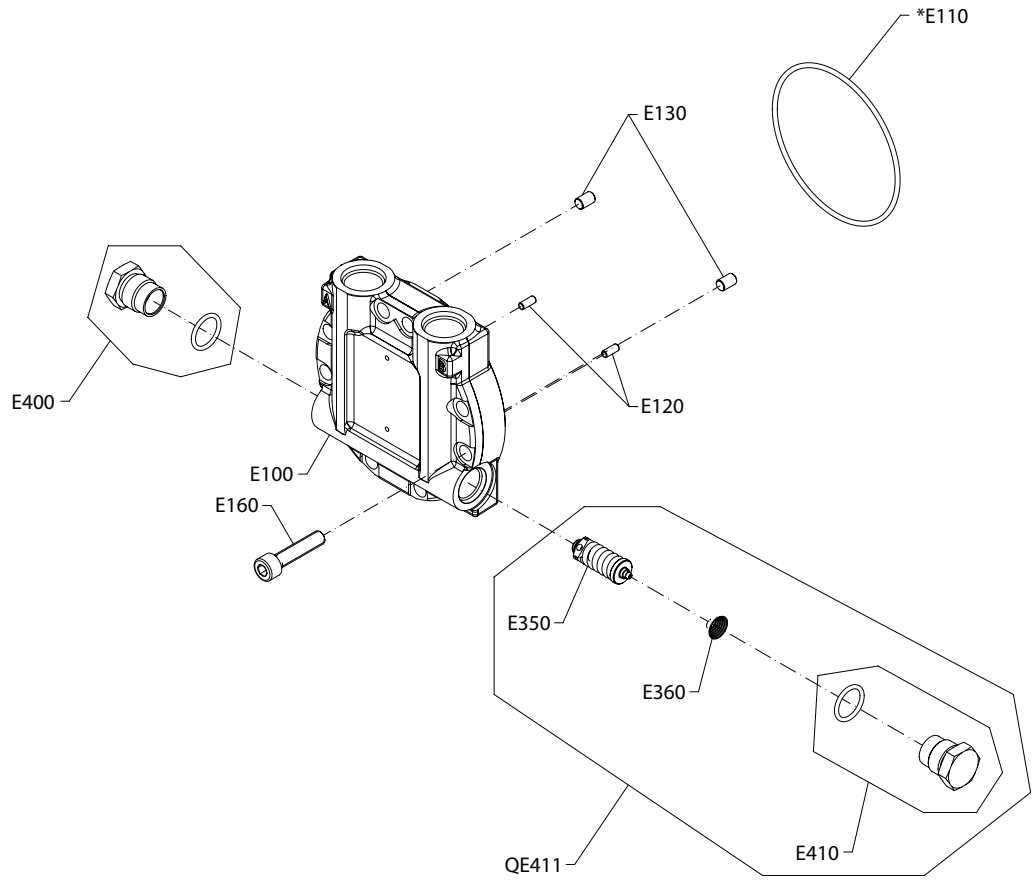
#### Order code: D1 (metric)

E100	19-02		11228994	Endcap, metric	1
------	-------	--	----------	----------------	---

Porting type

MP1M porting type D2

Parts configuration



\* Included in overhaul seal kit Q210

This option is available in SAE and metric configurations. Please order accordingly.

### Porting type

#### Common parts

Item	Date Begin	Date End	Part Number	Part Name	Qty. per Model/Kit
E110	19-02		9004104-1530	O-ring	1
E120	19-02		9004800-1506	Straight pin	2
E130	19-02		9004800-2506	Straight pin	2
E160	19-02		092106	Screw	8
E350	19-02		3103375-0345	Valve assembly	1
E360	19-02		4800780	Compressed spring	1
E400	19-02		11229004	Plug assembly	1
E410	19-02		11229004	Plug assembly	1
QE411	19-02		11231413	Anti-cavitation valve assembly	1

#### Order code: D2 (SAE)

E100	19-02		11229006	Endcap, SAE	1
------	-------	--	----------	-------------	---

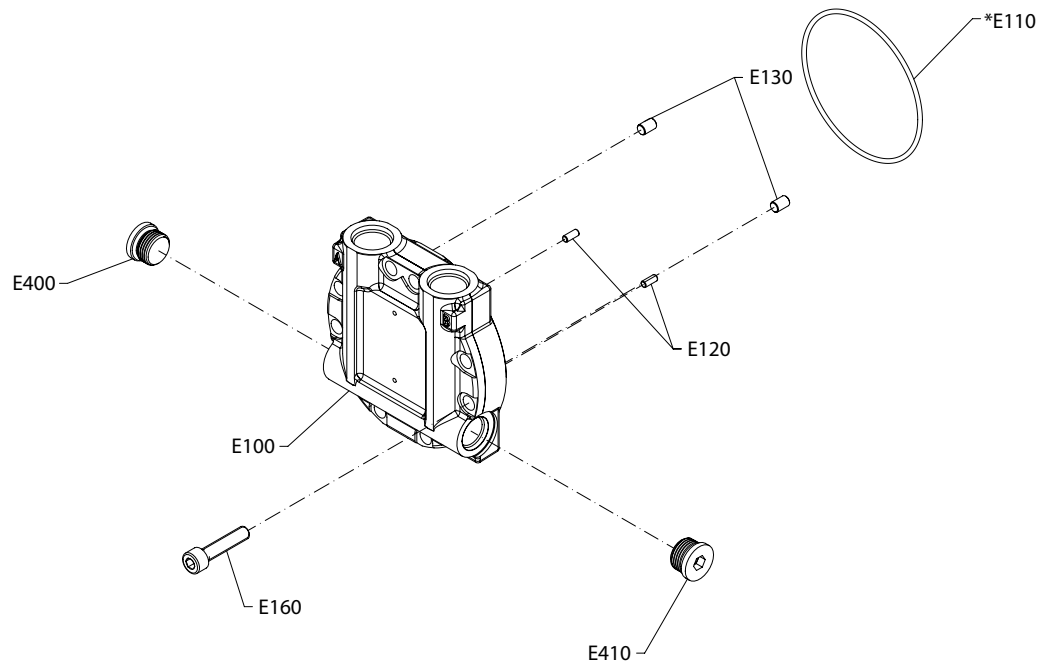
#### Order code: D2 (metric)

E100	19-02		11228994	Endcap, metric	1
------	-------	--	----------	----------------	---

**Porting type**

**MP1M porting type E1**

*Parts configuration*



\* Included in overhaul seal kit Q210



### Porting type

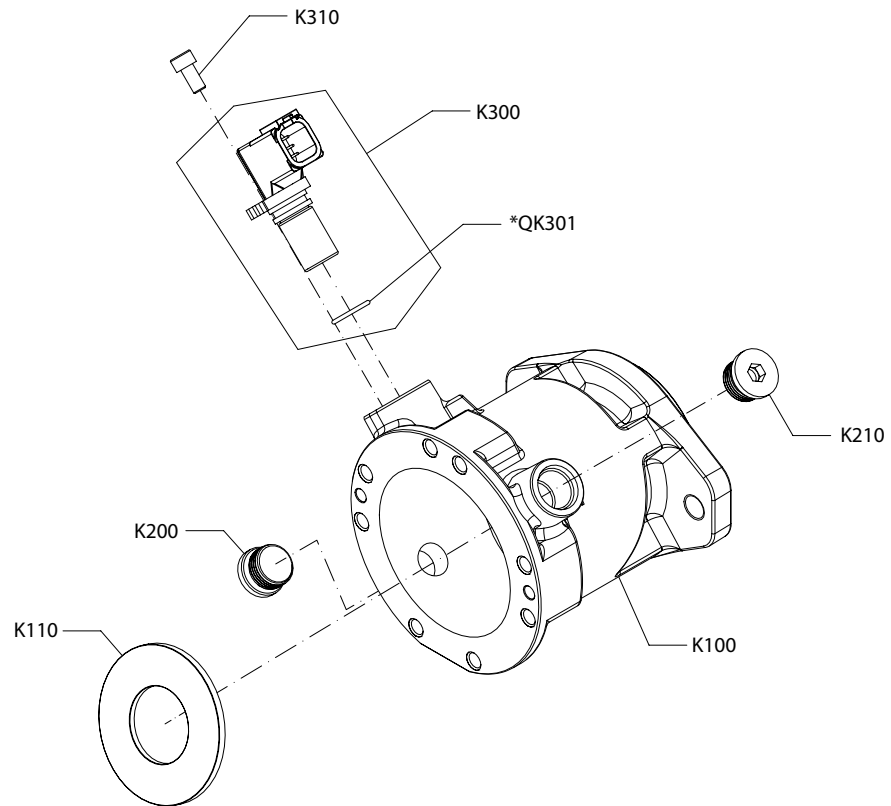
Order code: E1

Item	Date Begin	Date End	Part Number	Part Name	Qty. per Model/Kit
E100	19-12		11232694	Endcap	1
E110	19-12		9004104-1530	O-ring	1
E120	19-12		9004800-1506	Straight pin	2
E130	19-12		9004800-2506	Straight pin	2
E160	19-12		092106	Screw	8
E400	19-12		J9005110-7500	Plug assembly	1
E410	19-12		J9005110-7500	Plug assembly	1

## Housing

### MP1M housing AA, DA

Parts configuration



\* Included in overhaul seal kit Q210

This option is available in SAE and metric configurations. Please order accordingly.

## Housing

### Common parts

Item	Date Begin	Date End	Part Number	Part Name	Qty. per Model/Kit
K110	18-52		11050106	Thrust plate	1
K300	18-52		149055	Speed and temperature sensor	1
K310	18-52		503674	Screw	1
QK301	18-52		11013397	O-ring	1

### Order code: AA (SAE)

K100	18-52		11226877	Housing, SAE-A	1
K200	18-52		J9005110-7500	Plug assembly	1
K210	18-52		J9005110-7500	Plug assembly	1

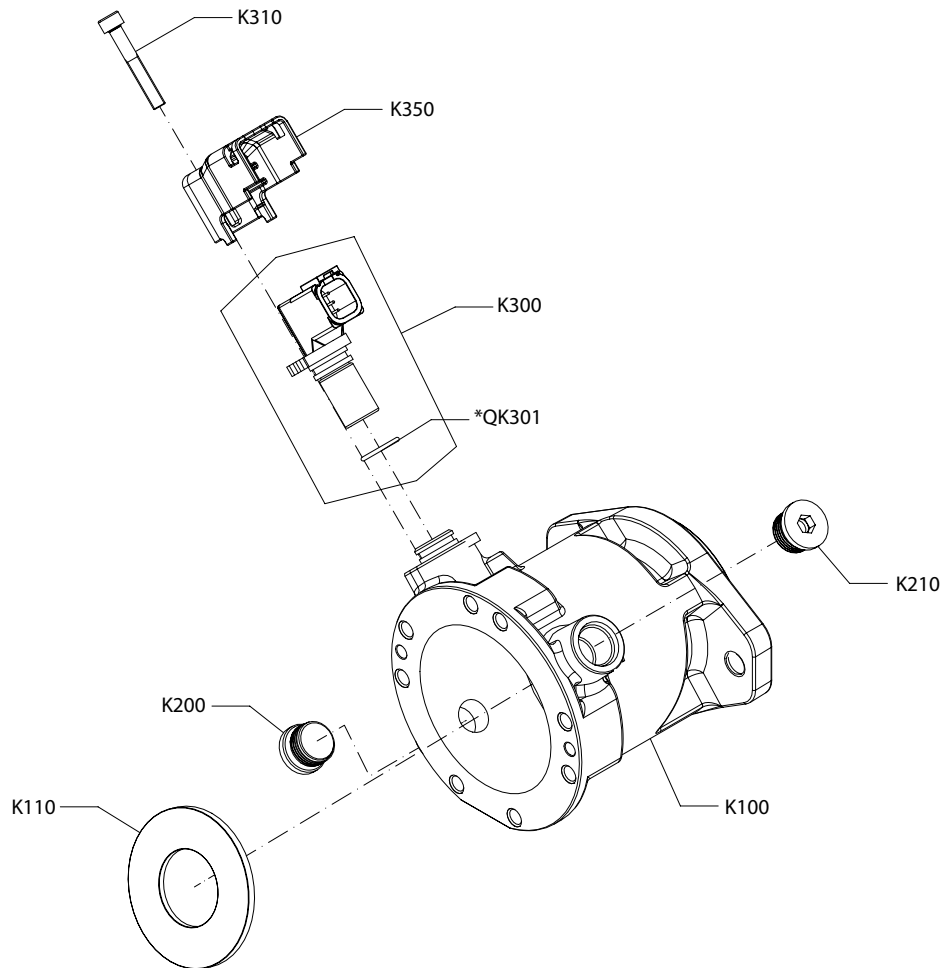
### Order code: DA (metric)

K100	18-52		11226878	Housing, SAE-A, metric	1
K200	18-52		5000570	Plug assembly	1
K210	18-52		5000570	Plug assembly	1

## Housing

### MP1M housing AB, DB

Parts configuration



\* Included in overhaul seal kit Q210

This option is available in SAE and metric configurations. Please order accordingly.

## Housing

### Common parts

Item	Date Begin	Date End	Part Number	Part Name	Qty. per Model/Kit
K110	18-48		11050106	Thrust plate	1
K300	18-48		149055	Speed and temperature sensor	1
K310	18-48		11158928	Screw	1
K350	18-48		11187156	Sensor cover	1
QK301	18-48		11013397	O-ring	1

### Order code: AA (SAE)

K100	18-48		11226877	Housing, SAE-A	1
K200	18-48		J9005110-7500	Plug assembly	1
K210	18-48		J9005110-7500	Plug assembly	1

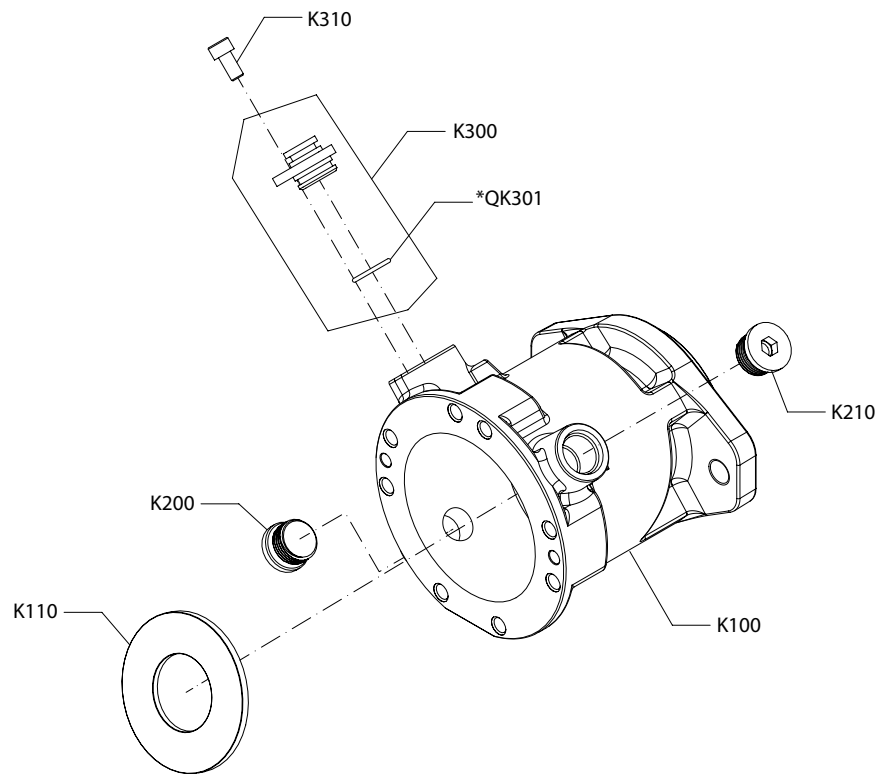
### Order code: DB (metric)

K100	18-52		11226878	Housing, SAE-A, metric	1
K200	18-52		5000570	Plug assembly	1
K210	18-52		5000570	Plug assembly	1

## Housing

### MP1M housing AN, DN

Parts configuration



\* Included in overhaul seal kit Q210

This option is available in SAE and metric configurations. Please order accordingly.

## Housing

### Common parts

Item	Date Begin	Date End	Part Number	Part Name	Qty. per Model/Kit
K110	18-52		11050106	Thrust plate	1
K300	18-52		11013290	Plug	1
K310	18-52		503674	Screw	1
QK301	18-52		11013397	O-ring	1

### Order code: AN (SAE)

K100	18-52		11226877	Housing, SAE-A	1
K200	18-52		J9005110-7500	Plug assembly	1
K210	18-52		J9005110-7500	Plug assembly	1

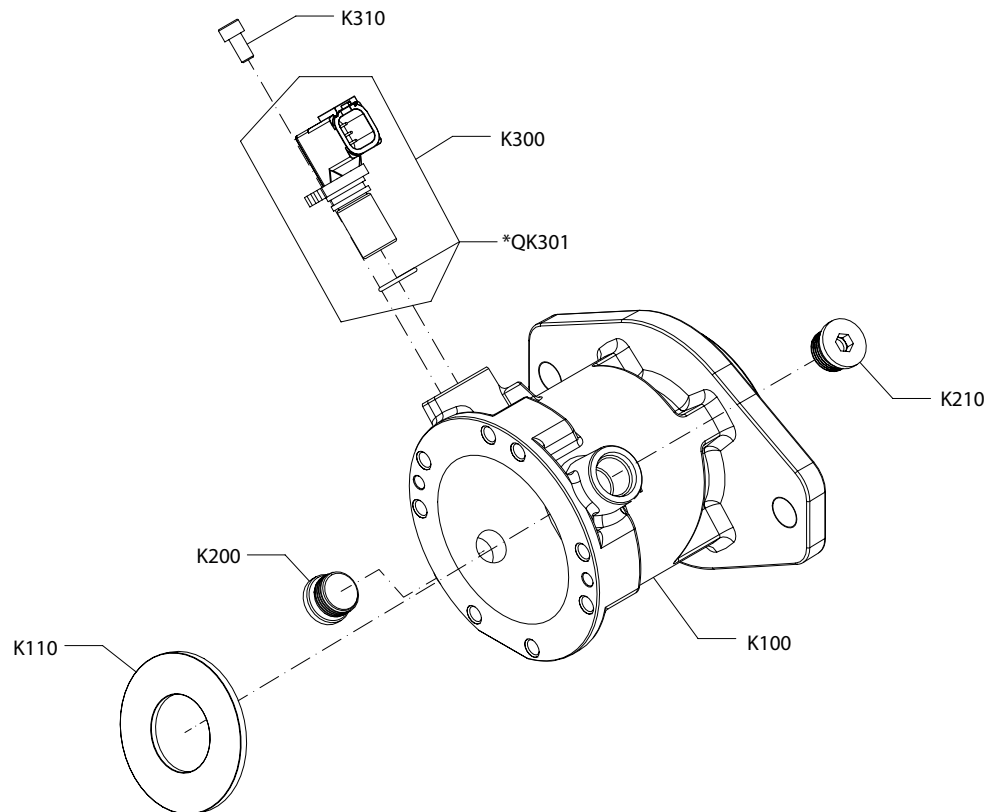
### Order code: DN (metric)

K100	18-52		11226878	Housing, SAE-A, metric	1
K200	18-52		5000570	Plug assembly	1
K210	18-52		5000570	Plug assembly	1

## Housing

### MP1M housing BA, EA

Parts configuration



\* Included in overhaul seal kit Q210

This option is available in SAE and metric configurations. Please order accordingly.



## Housing

### Common parts

Item	Date Begin	Date End	Part Number	Part Name	Qty. per Model/Kit
K110	18-52		11050106	Thrust plate	1
K300	18-52		149055	Speed and temperature sensor	1
K310	18-52		503674	Screw	1
QK301	18-52		11013397	O-ring	1

### Order code: BA (SAE)

K100	18-52		11226881	Housing, SAE-B	1
K200	18-52		J9005110-7500	Plug assembly	1
K210	18-52		J9005110-7500	Plug assembly	1

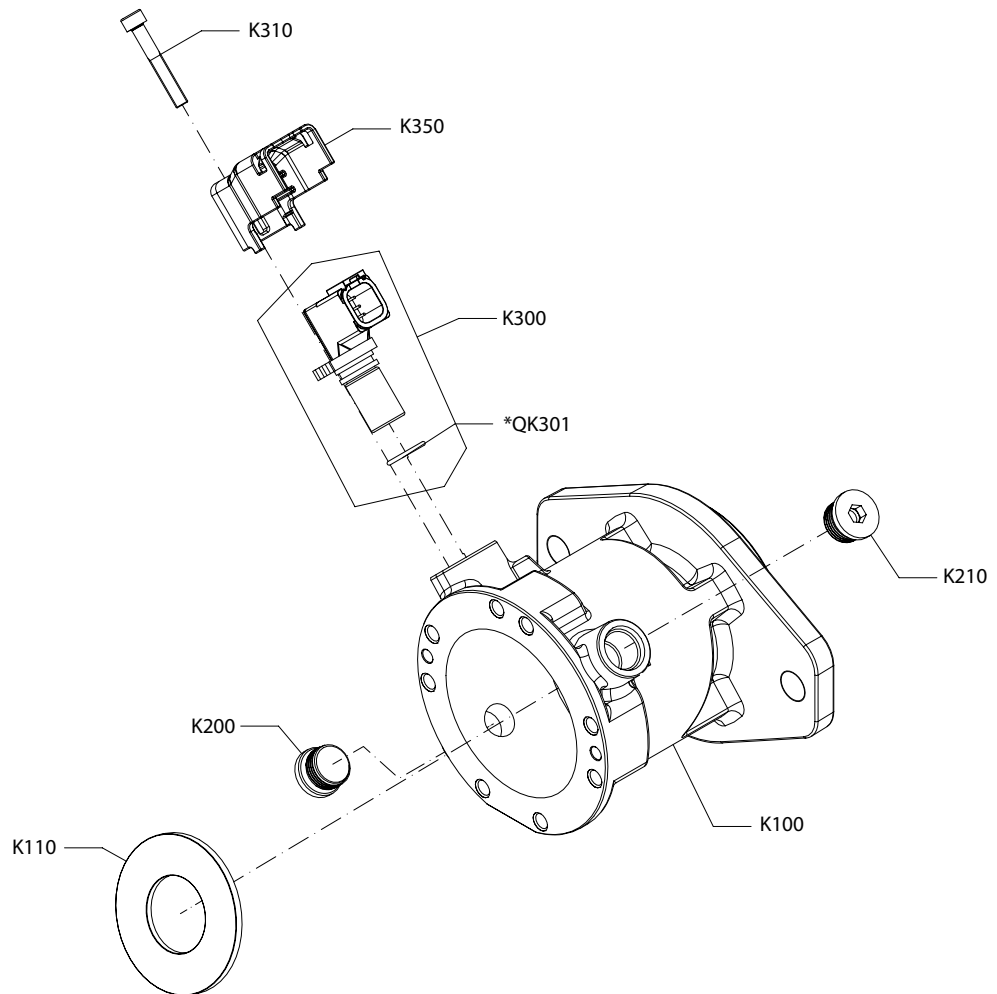
### Order code: EA (metric)

K100	18-52		11226892	Housing, SAE-B, metric	1
K200	18-52		5000570	Plug assembly	1
K210	18-52		5000570	Plug assembly	1

## Housing

### MP1M housing BB, EB

Parts configuration



\* Included in overhaul seal kit Q210

This option is available in SAE and metric configurations. Please order accordingly.

## Housing

### Common parts

Item	Date Begin	Date End	Part Number	Part Name	Qty. per Model/Kit
K110	18-52		11050106	Thrust plate	1
K300	18-52		149055	Speed and temperature sensor	1
K310	18-52		11158928	Screw	1
K350	18-52		11187156	Sensor cover	1
QK301	18-52		11013397	O-ring	1

### Order code: BB (SAE)

K100	18-52		11226881	Housing, SAE-B	1
K200	18-52		J9005110-7500	Plug assembly	1
K210	18-52		J9005110-7500	Plug assembly	1

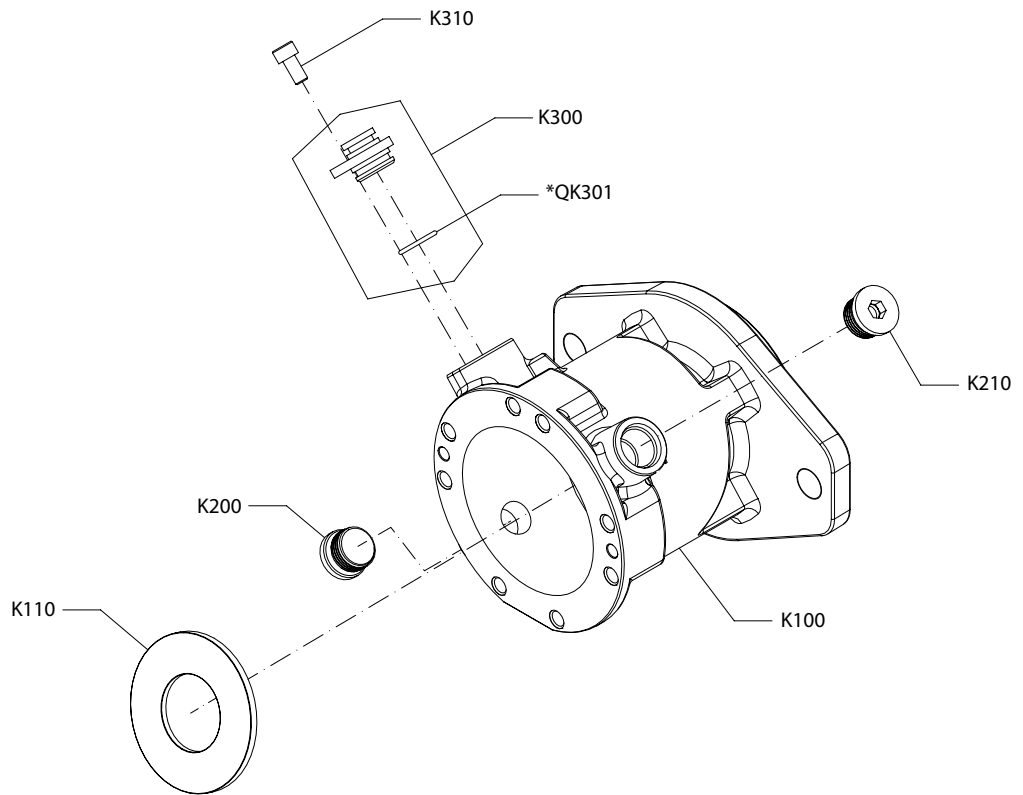
### Order code: EB (metric)

K100	18-52		11226892	Housing, SAE-B, metric	1
K200	18-52		5000570	Plug assembly	1
K210	18-52		5000570	Plug assembly	1

## Housing

### MP1M housing BN, EN

Parts configuration



\* Included in overhaul seal kit Q210

This option is available in SAE and metric configurations. Please order accordingly.

## Housing

### Common parts

Item	Date Begin	Date End	Part Number	Part Name	Qty. per Model/Kit
K110	18-52		11050106	Thrust plate	1
K300	18-52		11013290	Plug	1
K310	18-52		503674	Screw	1
QK301	18-52		11013397	O-ring	1

### Order code: BN (SAE)

K100	18-52		11226881	Housing, SAE-B	1
K200	18-52		J9005110-7500	Plug assembly	1
K210	18-52		J9005110-7500	Plug assembly	1

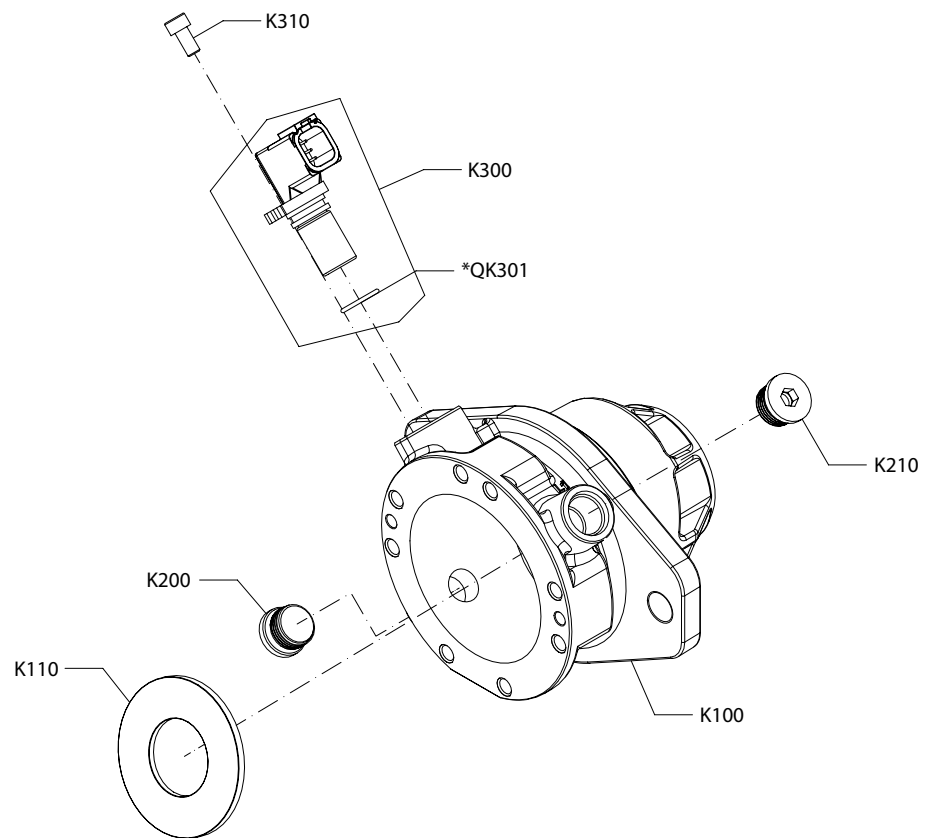
### Order code: EN (metric)

K100	18-52		11226892	Housing, SAE-B, metric	1
K200	18-52		5000570	Plug assembly	1
K210	18-52		5000570	Plug assembly	1

## Housing

### MP1M housing CA, FA

Parts configuration



\* Included in overhaul seal kit Q210

This option is available in SAE and metric configurations. Please order accordingly.

## Housing

### Common parts

Item	Date Begin	Date End	Part Number	Part Name	Qty. per Model/Kit
K110	18-52		11050106	Thrust plate	1
K300	18-52		149055	Speed and temperature sensor	1
K310	18-52		503674	Screw	1
QK301	18-52		11013397	O-ring	1

### Order code: CA (SAE)

K100	18-52		11226874	Housing, cartridge	1
K200	18-52		J9005110-7500	Plug assembly	1
K210	18-52		J9005110-7500	Plug assembly	1

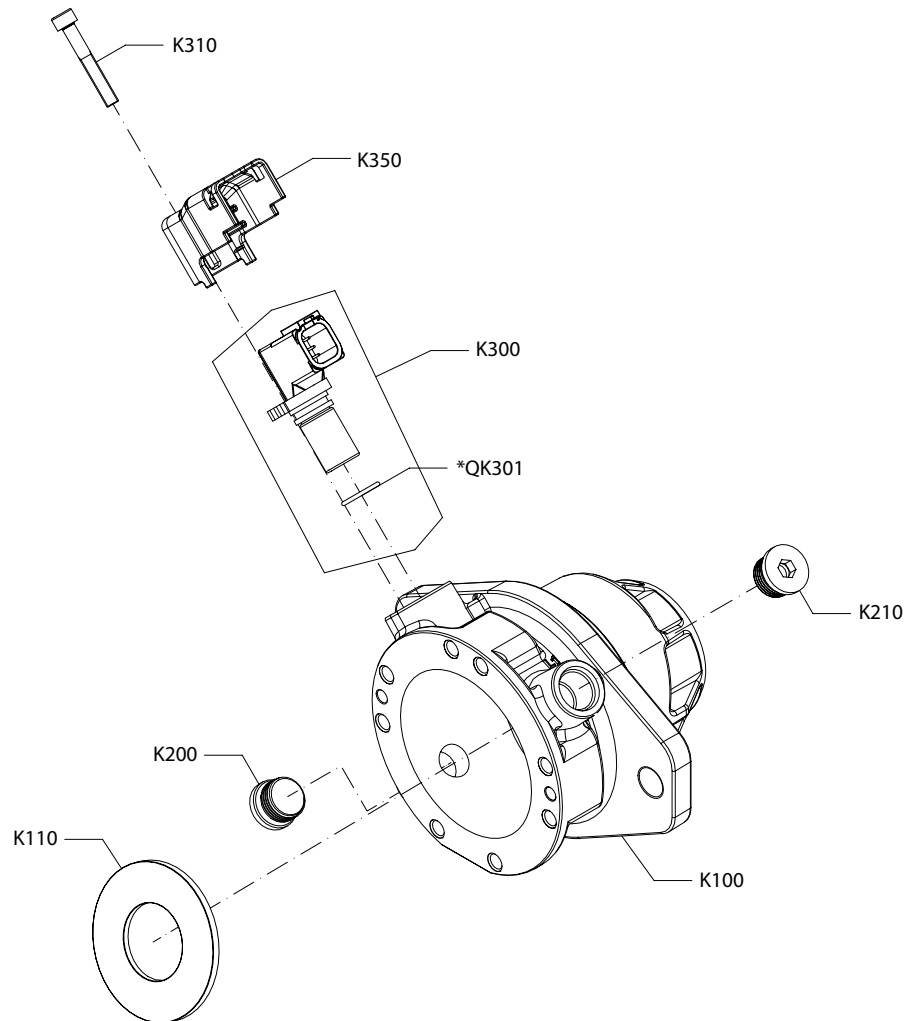
### Order code: FA (metric)

K100	18-52		11226875	Housing, cartridge, metric	1
K200	18-52		5000570	Plug assembly	1
K210	18-52		5000570	Plug assembly	1

## Housing

### MP1M housing CB, FB

Parts configuration



\* Included in overhaul seal kit Q210

This option is available in SAE and metric configurations. Please order accordingly.



## Housing

### Common parts

Item	Date Begin	Date End	Part Number	Part Name	Qty. per Model/Kit
K110	18-52		11050106	Thrust plate	1
K300	18-52		149055	Speed and temperature sensor	1
K310	18-52		11158928	Screw	1
K350	18-52		11187156	Sensor cover	1
QK301	18-52		11013397	O-ring	1

### Order code: CB (SAE)

K100	18-52		11226874	Housing, cartridge	1
K200	18-52		J9005110-7500	Plug assembly	1
K210	18-52		J9005110-7500	Plug assembly	1

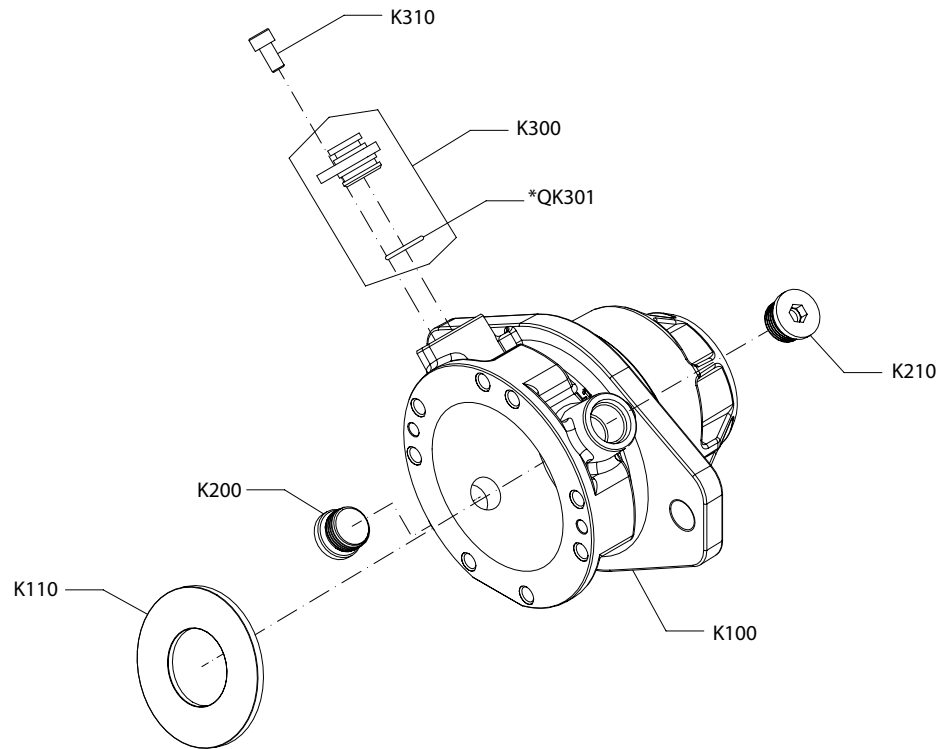
### Order code FB (metric)

K100	18-52		11226875	Housing, cartridge, metric	1
K200	18-52		5000570	Plug assembly	1
K210	18-52		5000570	Plug assembly	1

## Housing

### MP1M housing CN, FN

Parts configuration



\* Included in overhaul seal kit Q210

This option is available in SAE and metric configurations. Please order accordingly.

## Housing

### Common parts

Item	Date Begin	Date End	Part Number	Part Name	Qty. per Model/Kit
K110	18-52		11050106	Thrust plate	1
K300	18-52		11013290	Plug	1
K310	18-52		503674	Screw	1
QK301	18-52		11013397	O-ring	1

### Order code: CN (SAE)

K100	18-52		11226874	Housing, cartridge	1
K200	18-52		J9005110-7500	Plug assembly	1
K210	18-52		J9005110-7500	Plug assembly	1

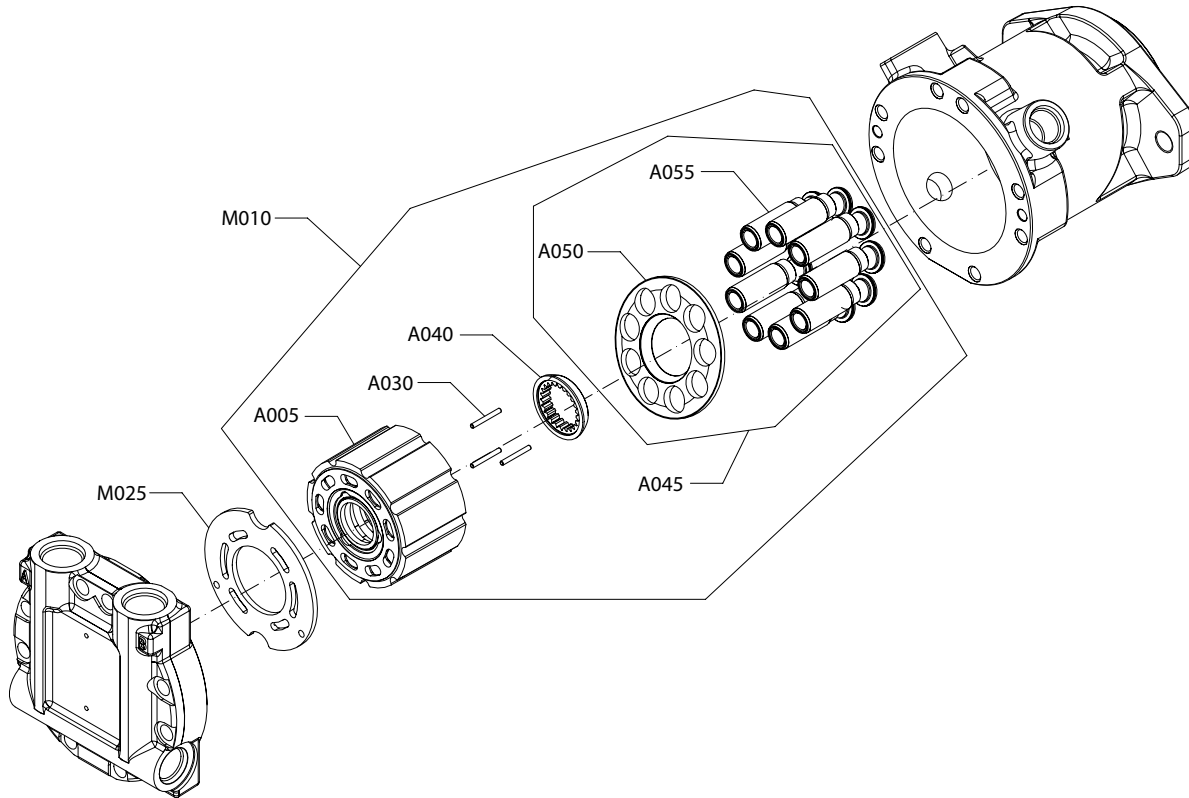
### Order code: FN (metric)

K100	18-52		11226875	Housing, cartridge, metric	1
K200	18-52		5000570	Plug assembly	1
K210	18-52		5000570	Plug assembly	1

### Displacement

#### MP1M displacement 20A, 24A

*Parts configuration*



Generic housing and endcap used to show part location only.

## Displacement

Order code: 20A

Item	Date Begin	Date End	Part Number	Part Name	Qty. per Model/Kit
A005	19-02		11229118	Cylinder block assembly	1
A030	19-02		11051744	Slipper hold down pin	3
A040	19-02		11050768	Ball guide	1
A045	19-02		11051772	Piston retainer assembly	1
A050	19-02		11043940	Slipper retainer	1
A055	19-02		11051761	Piston assembly	9
M010	19-02		11228985	Cylinder block kit	1
M025	19-02		11221364	Valve plate	1
Q210	19-02		11231284	Overhaul seal kit	1

Order code: 24A

A005	19-02		11229119	Cylinder block assembly	1
A030	19-02		11051744	Slipper hold down pin	3
A040	19-02		11050768	Ball guide	1
A045	19-02		11228987	Piston retainer assembly	1
A050	19-02		11228989	Slipper retainer	1
A055	19-02		11228988	Piston assembly	9
M010	19-02		11217765	Cylinder block kit	1
M025	19-02		11221364	Valve plate	1
Q210	19-02		11231284	Overhaul seal kit	1

**Overhaul seal kit****MP1M seal kit***Seal kit*

<b>Item</b>	<b>Date Begin</b>	<b>Date End</b>	<b>Part Number</b>	<b>Part Name</b>	<b>Qty. per Model/Kit</b>
D130	19-02		11228821	Lip seal	1
D200	19-02		11228825	Dust seal	1
E110	19-02		9004104-1530	O-ring	1
QK301	19-02		018499	O-ring	1

### Products we offer:

- DCV directional control valves
- Electric converters
- Electric machines
- Electric motors
- Gear motors
- Gear pumps
- Hydrostatic motors
- Hydrostatic pumps
- Orbital motors
- PLUS+1® controllers
- PLUS+1® displays
- PLUS+1® joysticks and pedals
- PLUS+1® operator interfaces
- PLUS+1® sensors
- PLUS+1® software
- PLUS+1® software services, support and training
- Position controls and sensors
- PVG proportional valves
- Steering components and systems
- Telematics

**Danfoss Power Solutions** is a global manufacturer and supplier of high-quality hydraulic and electric components. We specialize in providing state-of-the-art technology and solutions that excel in the harsh operating conditions of the mobile off-highway market as well as the marine sector. Building on our extensive applications expertise, we work closely with you to ensure exceptional performance for a broad range of applications. We help you and other customers around the world speed up system development, reduce costs and bring vehicles and vessels to market faster.

Danfoss Power Solutions – your strongest partner in mobile hydraulics and mobile electrification.

### Go to [www.danfoss.com](http://www.danfoss.com) for further product information.

We offer you expert worldwide support for ensuring the best possible solutions for outstanding performance. And with an extensive network of Global Service Partners, we also provide you with comprehensive global service for all of our components.

### Hydro-Gear

[www.hydro-gear.com](http://www.hydro-gear.com)

### Daikin-Sauer-Danfoss

[www.daikin-sauer-danfoss.com](http://www.daikin-sauer-danfoss.com)

Local address:

**Danfoss  
Power Solutions (US) Company**  
2800 East 13th Street  
Ames, IA 50010, USA  
Phone: +1 515 239 6000

**Danfoss  
Power Solutions GmbH & Co. OHG**  
Krokamp 35  
D-24539 Neumünster, Germany  
Phone: +49 4321 871 0

**Danfoss  
Power Solutions ApS**  
Nordborgvej 81  
DK-6430 Nordborg, Denmark  
Phone: +45 7488 2222

**Danfoss  
Power Solutions Trading  
(Shanghai) Co., Ltd.**  
Building #22, No. 1000 Jin Hai Rd  
Jin Qiao, Pudong New District  
Shanghai, China 201206  
Phone: +86 21 2080 6201

Danfoss can accept no responsibility for possible errors in catalogues, brochures and other printed material. Danfoss reserves the right to alter its products without notice. This also applies to products already on order provided that such alterations can be made without subsequent changes being necessary in specifications already agreed. All trademarks in this material are property of the respective companies. Danfoss and the Danfoss logotype are trademarks of Danfoss A/S. All rights reserved.