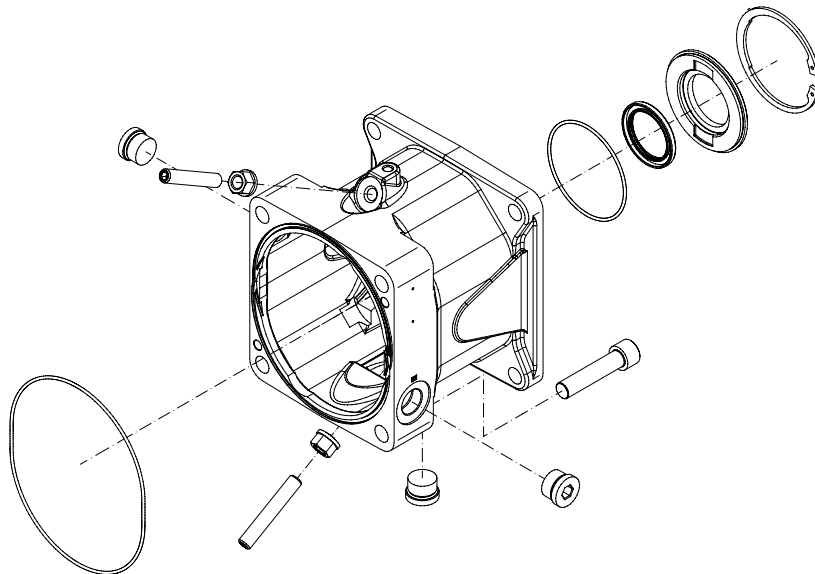


Parts Manual

D1 High Power Open Circuit Pumps

Size 260



Revision history

Table of revisions

Date	Changed	Rev
September 2020	Corrected control service kit part numbers	0406
March 2020	Corrected part numbers and changed document number from AX00000311	0405
January 2020	Added new part options	0304
April 2019	Updated various part numbers and added new options	0303
June 2018	Updated for global launch	0301
March 2017	Minor updates	0202
January 2017	Split each frame size into its own document	0201
June 2016	Added size 260	0104
April 2016	Updated document format	0103
July 2015	Minor updates	0102
January 2015	First edition	0101

Contents

General information

Service Parts Identification.....	4
Nameplate.....	4
Date code.....	5
About service bulletins.....	5
Procedure to identify a part.....	5
Adobe Acrobat 2-page viewing.....	6
Order code.....	7

Controls

D1P control NPNR.....	8
Control NPNN.....	10
Control NPSN.....	12
Control TPSN.....	14
Control NNES.....	16
Control TPE2.....	18
Control NPE0.....	20
Control NPE2.....	22

Input shaft

Shaft A-T.....	24
Shaft K.....	26

Mounting flange

Mounting flange E4, EA.....	28
-----------------------------	----

Endcap

Endcap Y3.....	30
----------------	----

Auxiliary mounting flange

Aux mounting A1, A3.....	32
Aux mounting B1, B2, BA, BB.....	34
Aux mounting C5, C9.....	36
Aux mounting D2, D5, E2.....	38
Aux mounting E3.....	40
Aux mounting NN.....	42

Special hardware

Special hardware NNN.....	44
Orifice NNN, NNF.....	46

Overhaul seal kit

D1P 260 seal kit.....	48
-----------------------	----

General information

Service Parts Identification

The following information and procedure is used to identify the module group, item number, manufacture date, part number, and part name of the parts included in the D1P 260.

The parts listed include all parts which may be used when performing either "Minor Repairs", "Major Repairs" or "Conversions" on the .

Nameplate

Each unit will have a nameplate affixed to the housing. The nameplate will include the following information:

Model Code

The Danfoss model code completely defines the specific unit and must be used when ordering parts to service this product.

Model Number

The Danfoss model number is used by the factory in manufacturing. On repeat orders, a complete unit can be ordered by the model number.

Serial Number

The Danfoss serial number is used to identify the manufacture date and the unit sequence in the build. The serial number is also used to identify the units warranty time period.

The letter code indicates the location of original manufacture (assembly).

The first number (2 digits) indicates the year of manufacture. The second number (2 digits) indicates the calendar week of manufacture.

The third number (5 digits) is a sequential number used to identify a specific unit.



General information

Date code

The date code is defined as the year and week of manufacture. The same item number may list more than one part number. This indicates that there is more than one configuration for that item number. You will see that there are different date codes for the different part numbers. Find the date code of your unit from the nameplate to determine which service part number you need to order.

Example: The service part desired is item G30

Order Code	Item	Date Begin	Date End	Part Number	Part Name	Qty. per Model/Kit
80	G30	89-17		8000243	End cap gasket	1
	G30		89-16	8000151	End cap gasket (SB-1995-006)	1

All units using this order code with a date code prior to 89-17 must use part number "8000151." All units with a date code of 89-17 and newer must use part number "8000243."

About service bulletins

A Service Bulletin Number (SB-____-____) may follow the "Part Name" of the part you desire. You must read that Service Bulletin prior to ordering that part. The information contained in these Service Bulletins, as of the print date of this bulletin, are included at the end of this manual. Service Bulletins contain more detailed information such as interchangeability, what additional parts are involved, etc. It is suggested that you add additional Service Bulletins to this manual as you receive them.

Procedure to identify a part

The modular design of this product results in a simplified service parts list and part number identification procedure.

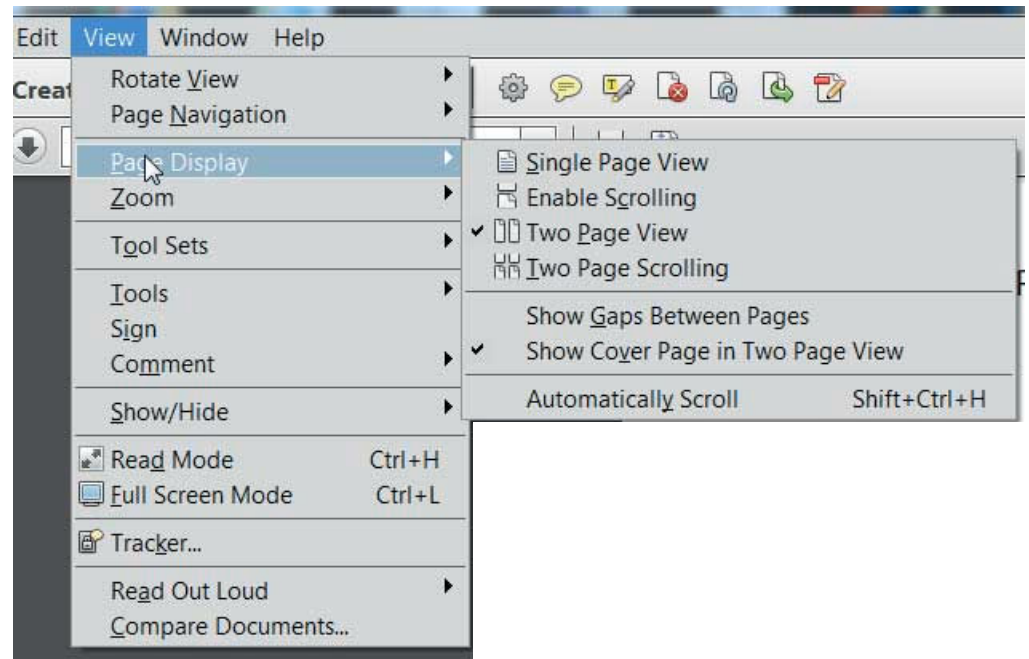
The same item numbers are used for same part names on all units within a product type. A part number that has another number following it in parentheses is done to make this a world wide manual.

General information

Adobe Acrobat 2-page viewing

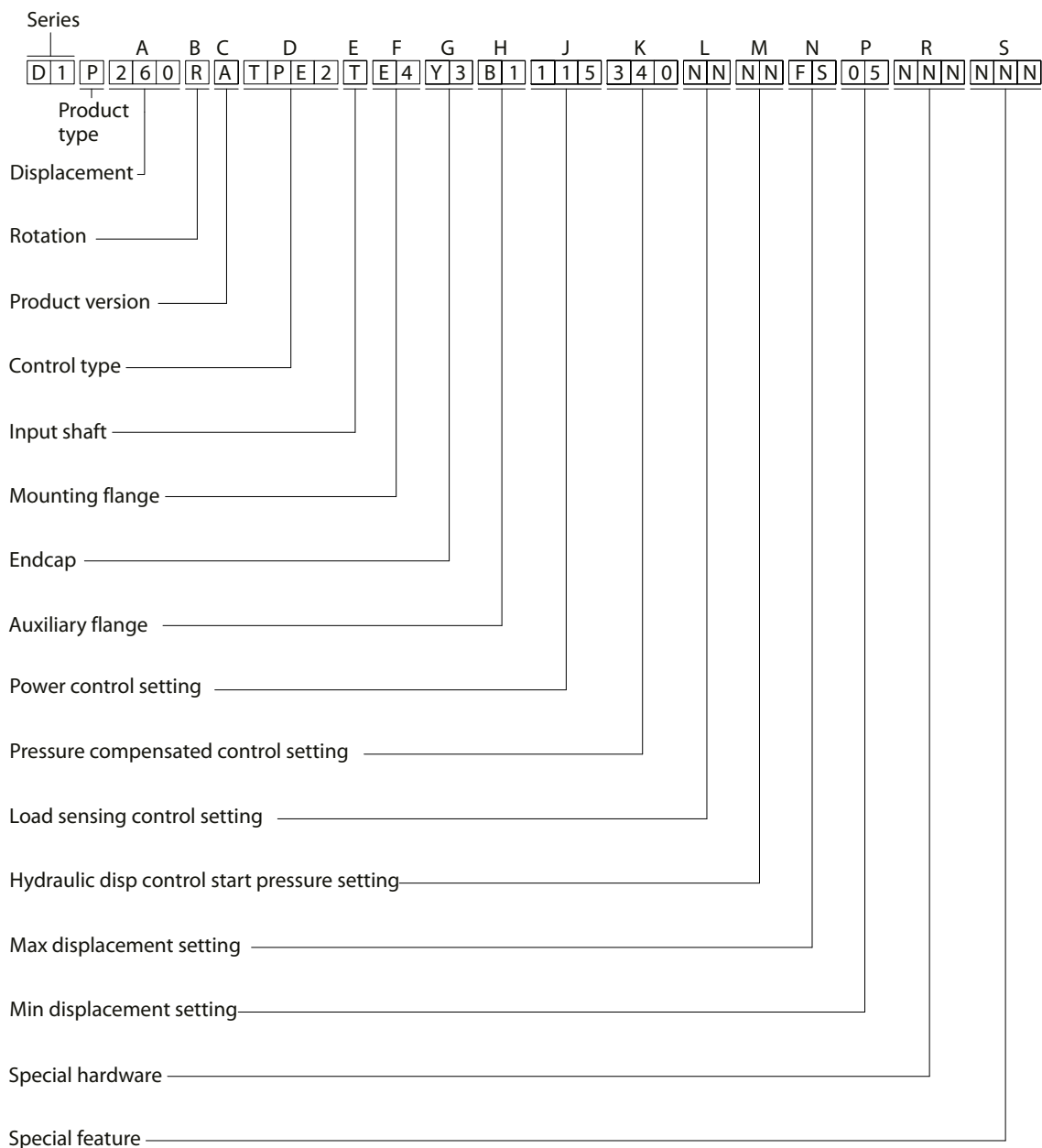
While viewing manual in Adobe Acrobat, the following settings need to be applied to ensure proper page display.

1. Select "View" → "Page Display" → "Two Page View"
2. Select "View" → "Page Display" → "Show Cover Page in Two Page View"



General information

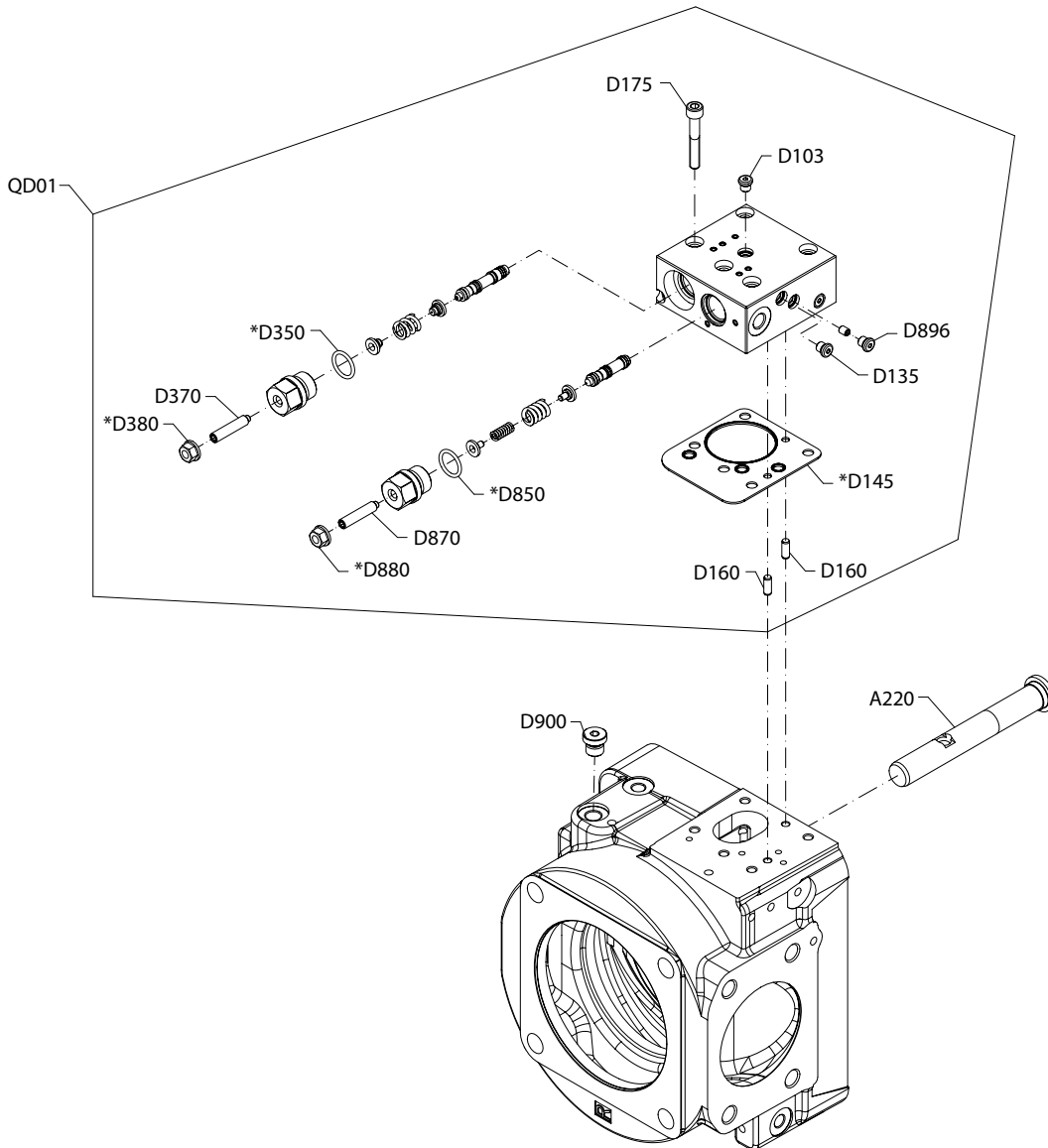
Order code



Controls

D1P control NPNR

Parts configuration



* Included in overhaul seal kit Q210

Generic end cap used to show part location only.

Controls

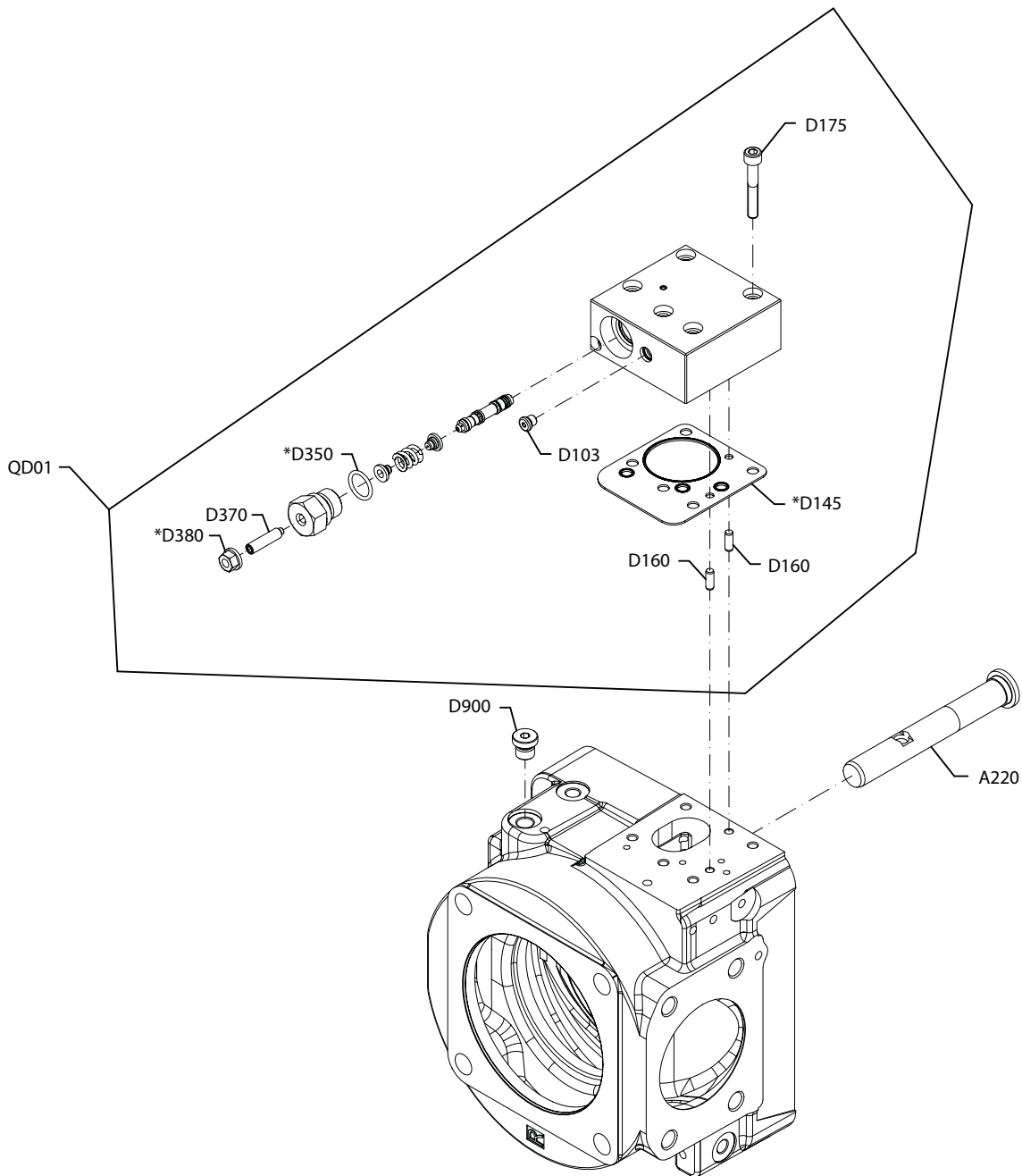
Order code: NPNR

Item	Date Begin	Date End	Part Number	Part Name	Qty. per Model/Kit
A220	18-32		11187492	Bias piston	1
D103	18-32		11040532	Plug assembly	4
D135	18-32		11040532	Plug assembly	1
D145	18-32		11168710	Control seal	1
D160	18-32		11130807	Dowel pin	2
D175	18-32		527218	Screw	5
D350	18-32		9004104-1160	O-ring	1
D370	18-32		11167267	Screw	1
D380	18-32		612291 (9003508-0008)	Lock nut seal	1
D850	18-32		9004104-1160	O-ring	1
D870	18-32		11167267	Screw	1
D880	18-32		612291 (9003508-0008)	Lock nut seal	1
D896	18-32		Plug assembly	Plug assembly	1
D900	18-32		11139781	Plug assembly	1
QD01	18-32		11221674	Control SVC kit	1

Controls

D1P control NPNN

Parts configuration



Generic end cap used to show part location only

* Included in overhaul seal kit Q210

Controls

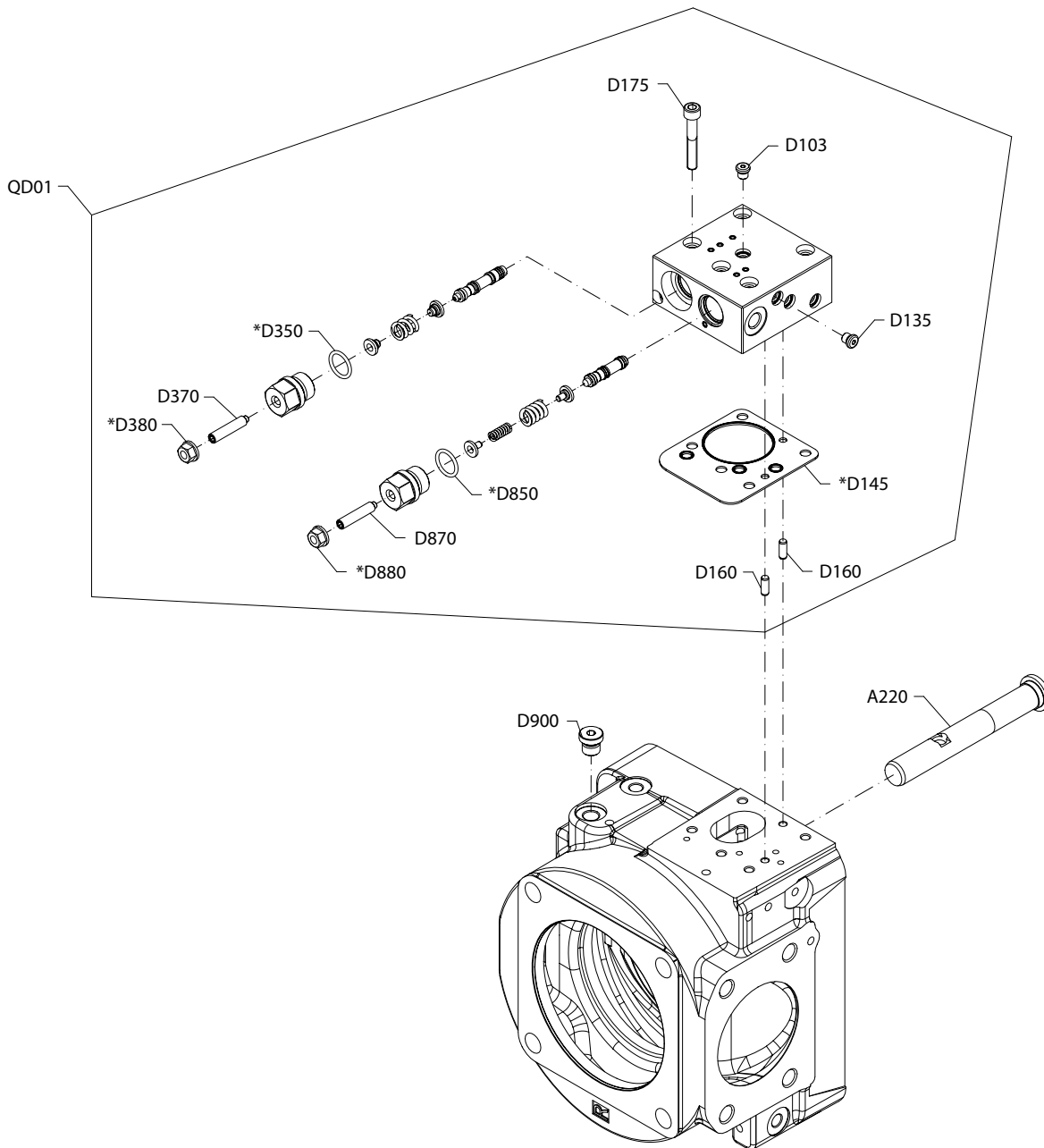
Order code: NPNN

Item	Date Begin	Date End	Part Number	Part Name	Qty. per Model/Kit
A220	17-10		11187492	Bias piston	1
D103	17-10		11040532	Plug assembly	2
D145	17-10		11168710	Control seal	1
D160	17-10		11130807	Dowel pin	2
D175	17-10		527218	Screw	5
D350	17-10		9004104-1160	O-ring	1
D370	17-10		11167267	Screw	1
D380	17-10		612291 (9003508-0008)	Hex nut seal	1
D900	17-10		11139781	Plug assembly	1
QD01	17-10		11196162	SVC control kit	1

Controls

D1P control NPSN

Parts configuration



Generic end cap used to show part location only

* Included in overhaul seal kit Q210

Controls

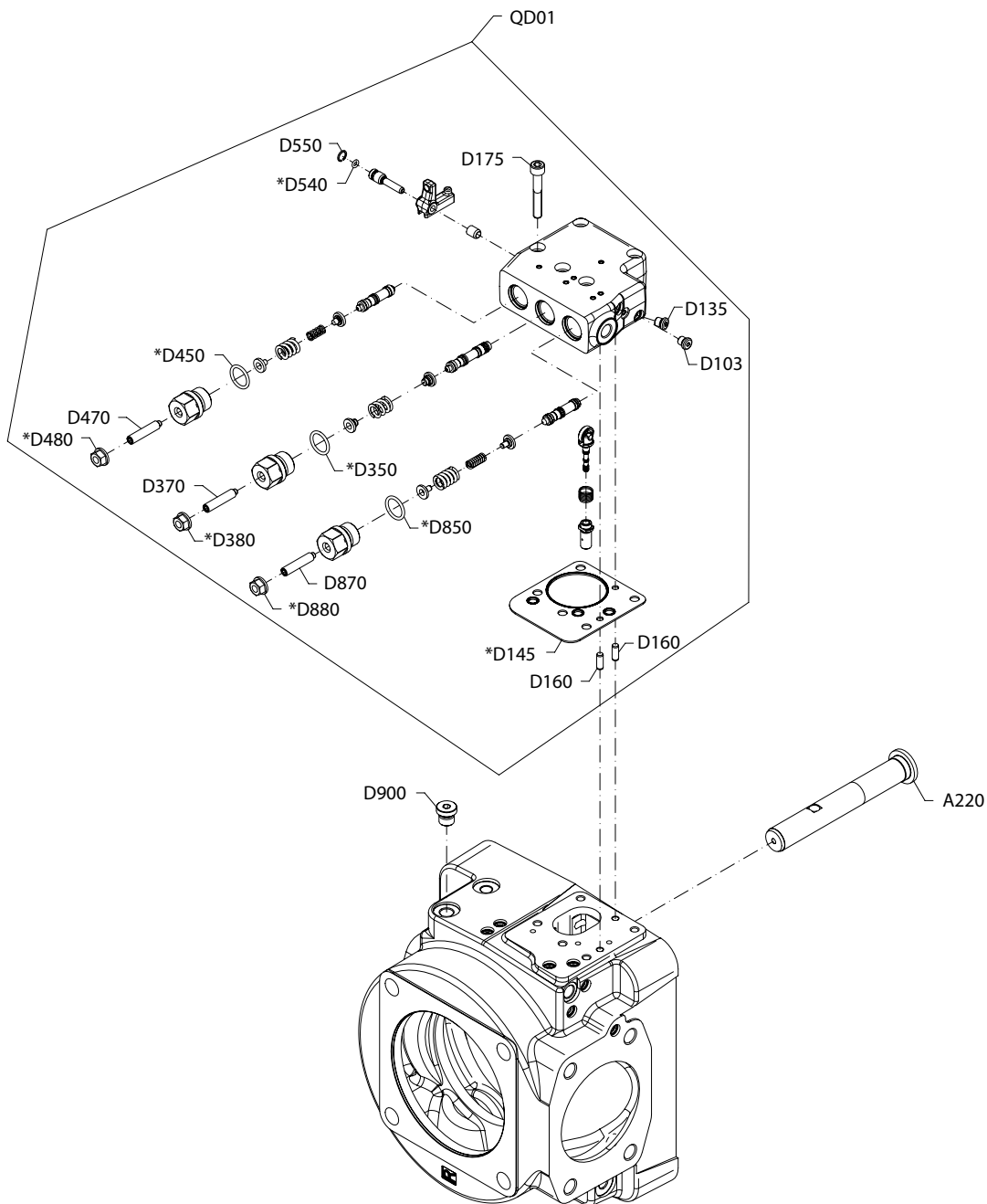
Order code: NPSN

Item	Date Begin	Date End	Part Number	Part Name	Qty. per Model/Kit
A220	17-10		11187492	Bias piston	1
D103	17-10		11040532	Plug assembly	1
D135	17-10		11040532	Plug assembly	1
D145	17-10		11168710	Control seal	1
D160	17-10		11130807	Dowel pin	2
D175	17-10		527218	Screw	5
D350	17-10		9004104-1160	O-ring	1
D370	17-10		11171317	Screw	1
D380	17-10		9003509-0008 (612291)	Hex nut seal	1
D850	17-10		9004104-1160	O-ring	1
D870	17-10		11171317	Screw	1
D880	17-10		9003509-0008 (612291)	Hex nut seal	1
D900	17-10		11139781	Plug assembly	1
QD01	17-10		11196161	SVC control kit	1

Controls

D1P 193/260 control TPSN

Parts configuration



Generic end cap used to show part location only

* Included in control seal kit QD210

Controls

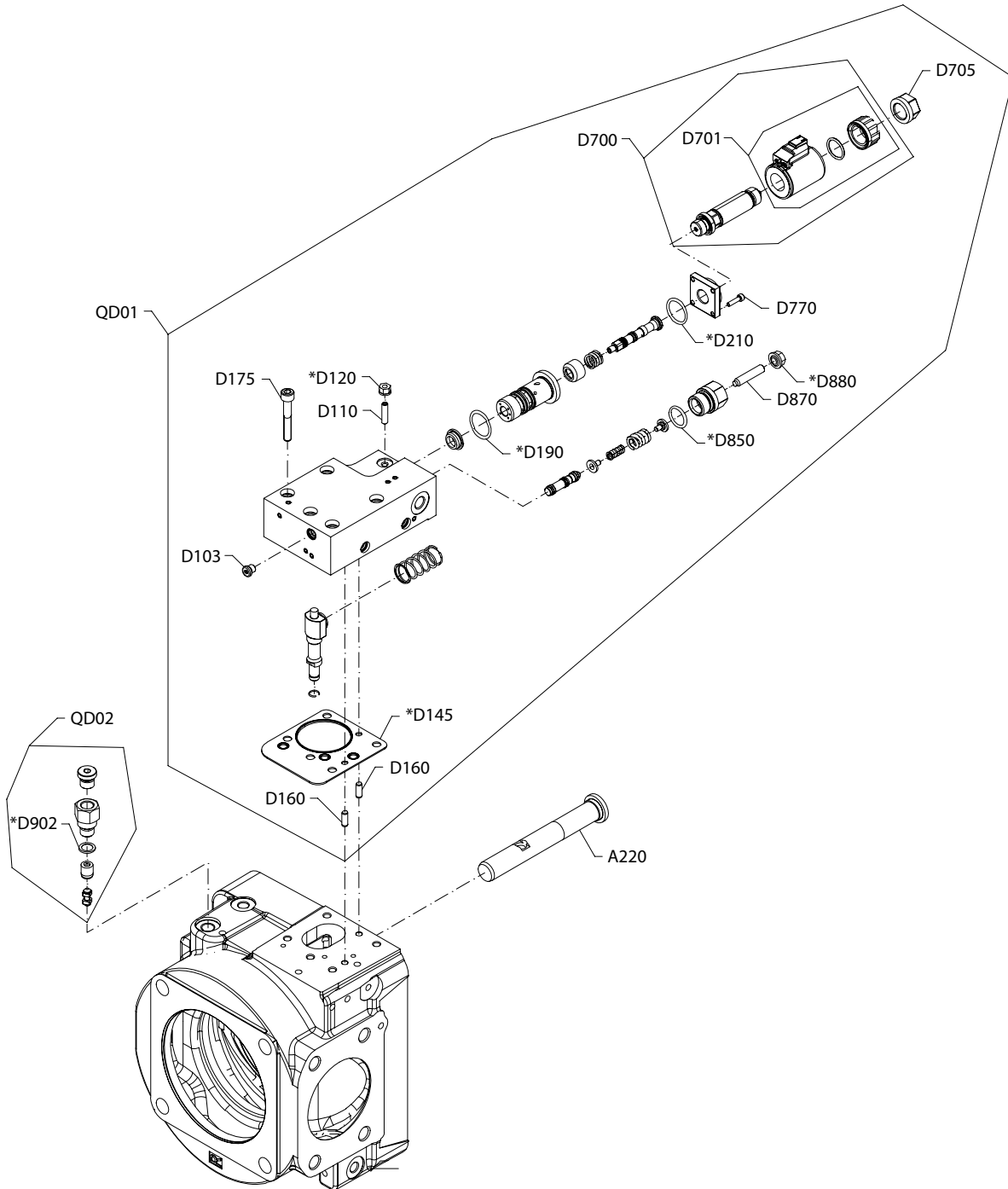
Order code: TPSN

Item	Date Begin	Date End	Part Number	Part Name	Qty. per Model/Kit
A220	16-01		11124670	Bias piston	1
D103	16-01		11040532	Plug assembly	3
D135	16-01		11040532	Plug assembly	1
D145	16-01		11168710	Control seal	1
D160	16-01		11130807	Pin	2
D175	16-01		527218	Screw	5
D350	16-01		9004104-1160	O-ring	1
D370	16-01		11167267	Screw	1
D380	16-01		612291	Lock nut seal	1
D450	16-01		9004104-1160	O-ring	1
D470	16-01		11167267	Screw	1
D480	16-01		612291	Lock nut seal	1
D540	16-01		9004104-0100	O-ring	1
D550	16-01		11130806	Retainer ring	1
D850	16-01		9004104-1160	O-ring	1
D870	16-01		11171317	Screw	1
D880	16-01		612291	Hex nut seal	1
D900	16-01		11139781	Plug assembly	1
QD01	16-01		11180173	SVC control kit	1

Controls

D1P control NNES

Parts configuration



Generic end cap used to show part location only

Controls

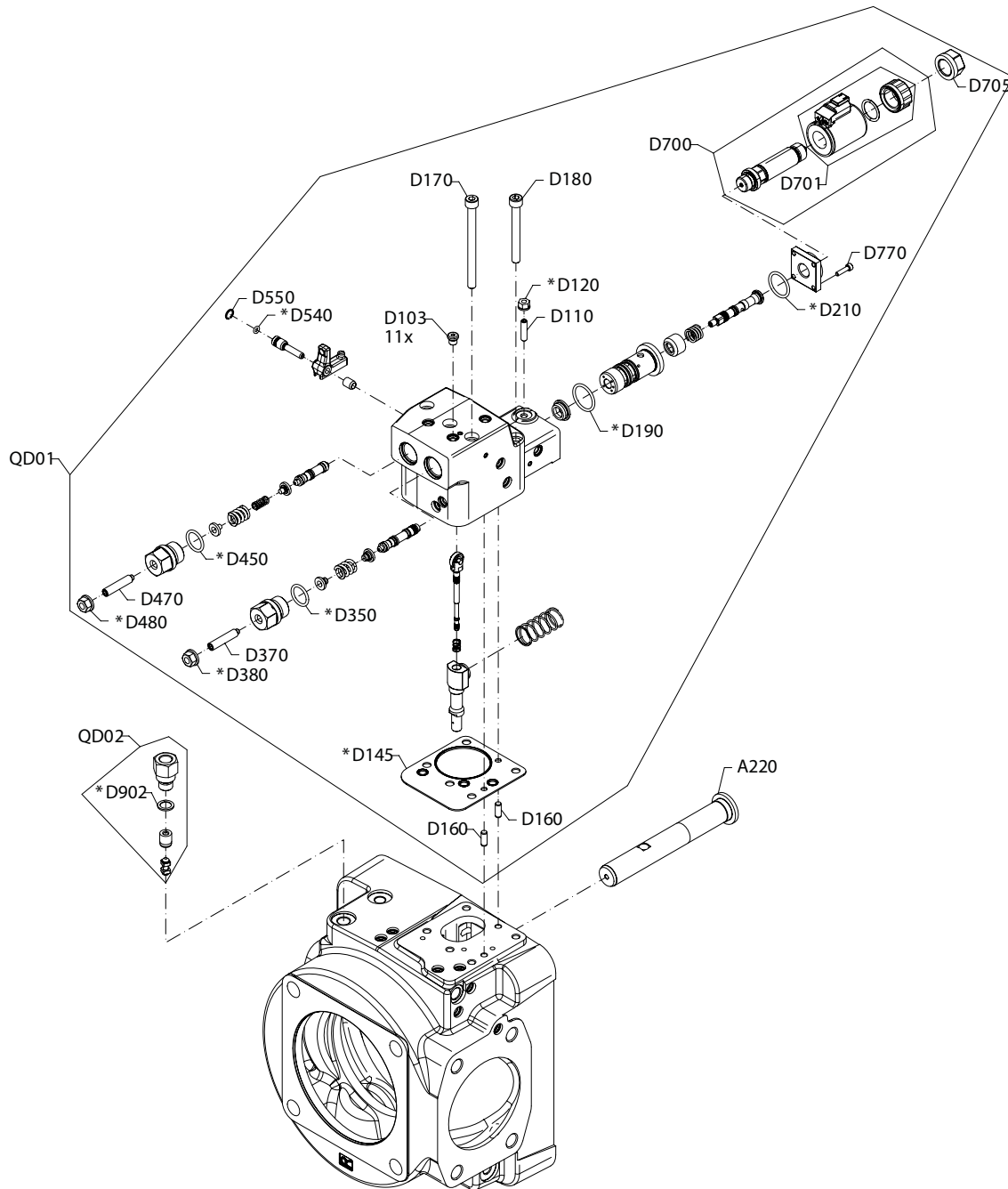
Order code: NNES

Item	Date Begin	Date End	Part Number	Part Name	Qty. per Model/Kit
A220	17-22		11187492	Bias piston	1
D103	17-22		11040532	Plug assembly	3
D110	17-22		11126005	Screw	1
D120	17-22		9003509-0006	Hex nut seal	1
D145	17-22		11168710	Control seal	1
D160	17-22		11130807	Dowel pin	2
D175	17-22		527218	Screw	5
D190	17-22		9004104-1200	O-ring	1
D210	17-22		11130945	O-ring	1
D700	17-22		11146859	Proportional solenoid valve assembly, 24v	1
D705	17-22		11155340	Cap	1
D770	17-22		11137994	Screw	4
D850	17-22		9004104-1160	O-ring	1
D870	17-22		11167267	Screw	1
D880	17-22		612291 (9003508-0008)	Lock nut seal	1
D902	17-22		11135346	Ring seal	1
QD01	17-22		11196157	SVC control kit	1
QD02	17-22		11196160	SVC shuttle valve kit	1

Controls

D1P control TPE2

Parts configuration



Generic end cap used to show part location only

* Included in overhaul seal kit Q210

Controls

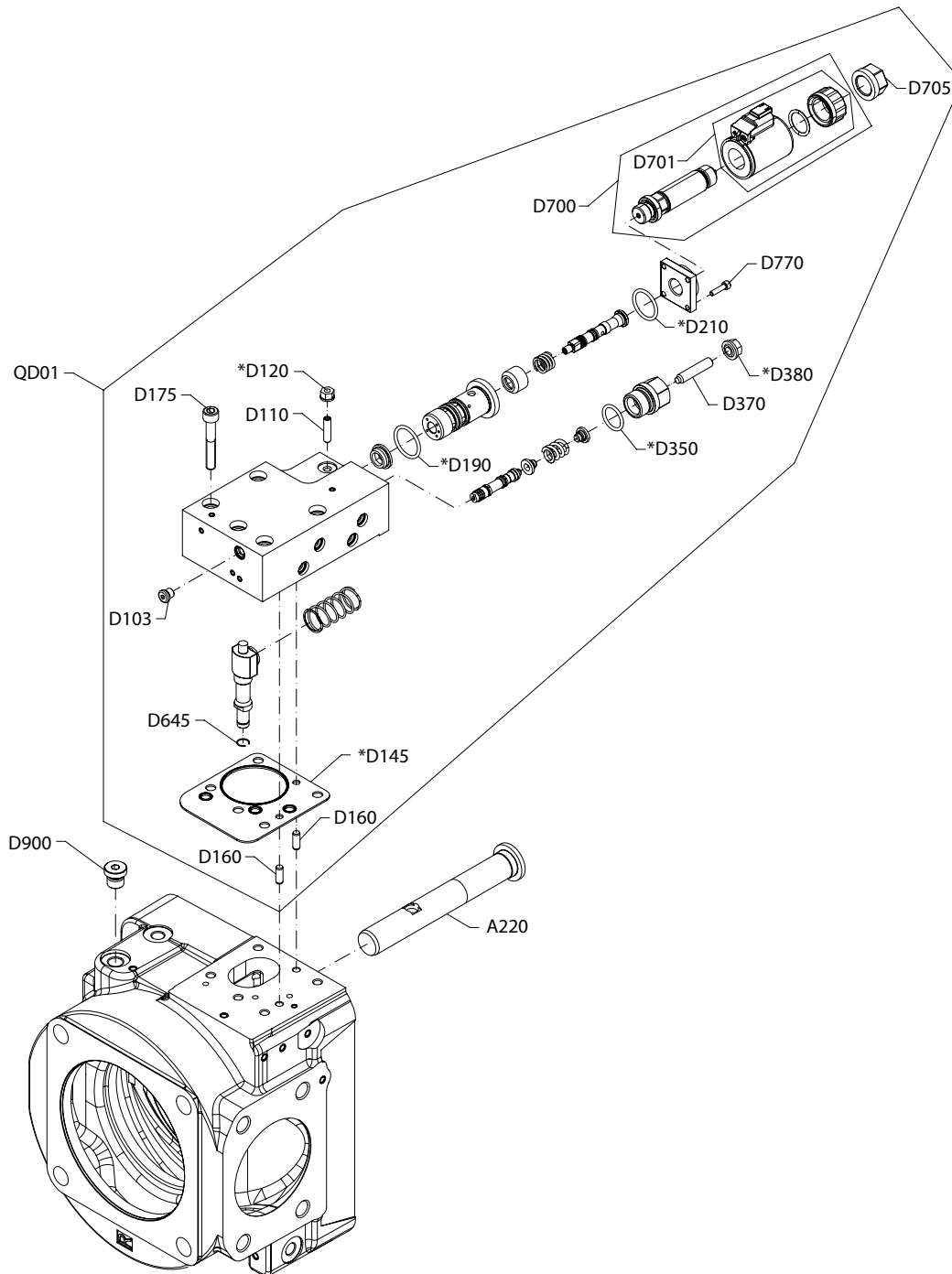
Order code: TPE2

Item	Date Begin	Date End	Part Number	Part Name	Qty. per Model/Kit
A220	16-01		11156971	Bias piston	1
D103	16-01		11040532	Plug assembly	11
D110	16-01		11126005	Screw	1
D120	16-01		9003509-0006	Hex nut seal	1
D145	16-01		11168710	Seal	1
D160	16-01		11130807	Dowel pin	2
D170	16-01		11125762	Screw	3
D180	16-01		11128407	Screw	2
D190	16-01		9004104-1200	O-ring	1
D210	16-01		11130945	O-ring	1
D350	16-01		9004104-1160	O-ring	1
D370	16-01		11167267	Screw	1
D380	16-01		612291 (9003508-0008)	Lock nut seal	1
D450	16-01		9004104-1160	O-ring	1
D470	16-01		11167267	Screw	1
D480	16-01		612291 (9003508-0008)	Lock nut seal	1
D540	16-01		9004104-0100	O-ring	1
D550	16-01		11130806	Retainer ring	1
D700	16-01		11146859	Solenoid	1
D701	16-01		11189731	Coil assembly	1
D705	16-01		11155340	Solenoid cap	1
D770	16-01		11137994	Screw	4
D902	16-01		11135346	Seal	1
QD01	16-01		11180172	SVC control kit	1
QD02	16-01		11153191	SVC shuttle valve kit	1

Controls

D1P control NPE0

Parts configuration



* Included in overhaul seal kit Q210

Generic endcap used to show part location only.

Controls

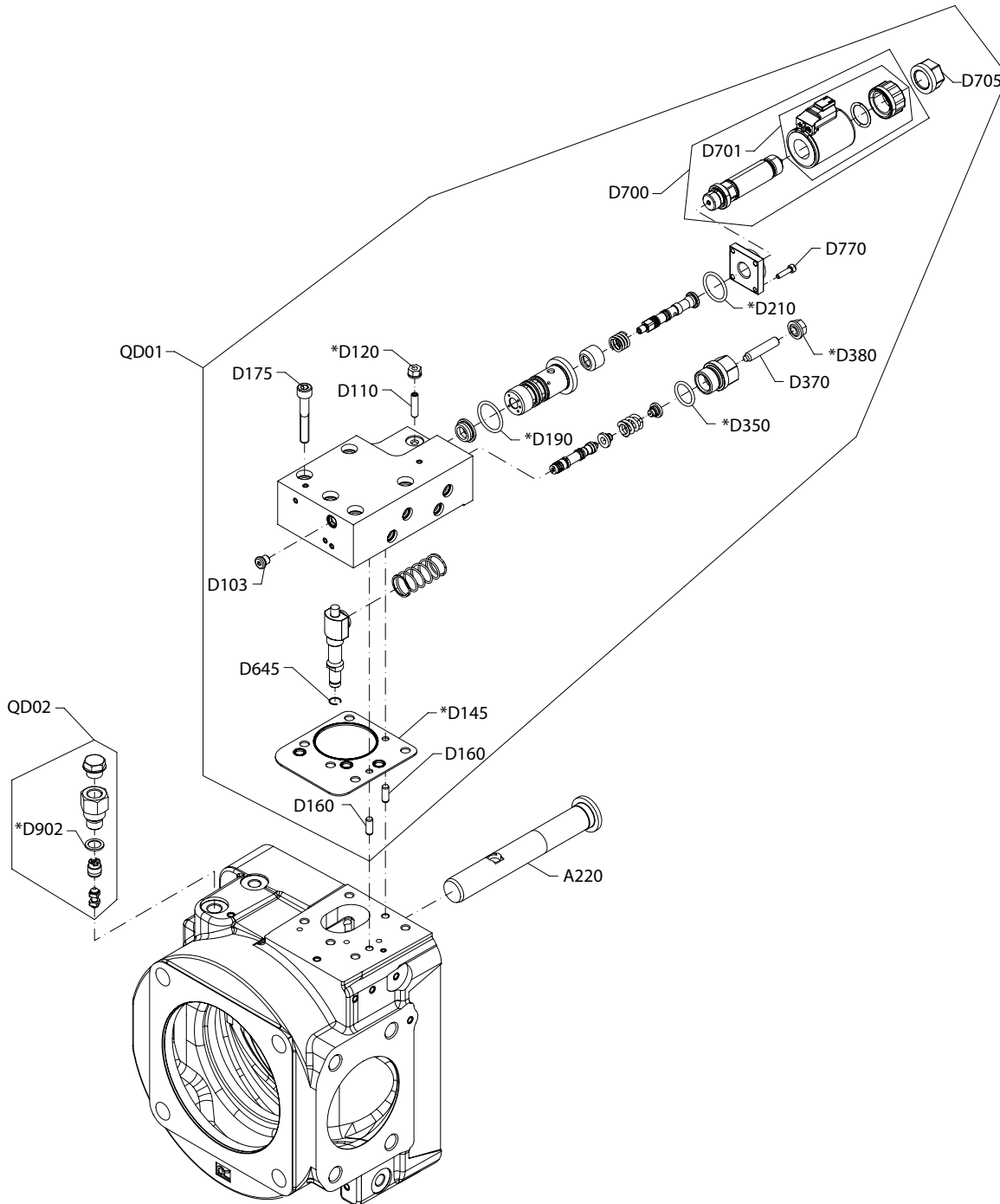
Order code: NPE0

Item	Date Begin	Date End	Part Number	Part Name	Qty. per Model/Kit
A220	19-24		11187492	Bias piston	1
D103	19-24		11040532	Plug assembly	5
D110	19-24		11126005	Screw	1
D120	19-24		9003509-0006	Hex nut seal	1
D145	19-24		11168710	Control seal	1
D160	19-24		11130807	Dowel pin	2
D175	19-24		527218	Screw	5
D190	19-24		9004104-1200	O-ring	1
D210	19-24		11130945	O-ring	1
D350	19-24		9004104-1160	O-ring	1
D370	19-24		11167267	Screw	1
D380	19-24		612291	Lock nut seal	1
D645	19-24		11187420	Snap ring	1
D700	19-24		11146859	Proportional solenoid	1
D705	19-24		11155340	Solenoid cap, plastic	1
D900	19-24		11139781	Plug assembly	1
QD01	19-24		11224630	SVC control kit	1

Controls

D1P control NPE2

Parts configuration



* Included in overhaul seal kit Q210

Generic endcap used to show part location only.

Controls

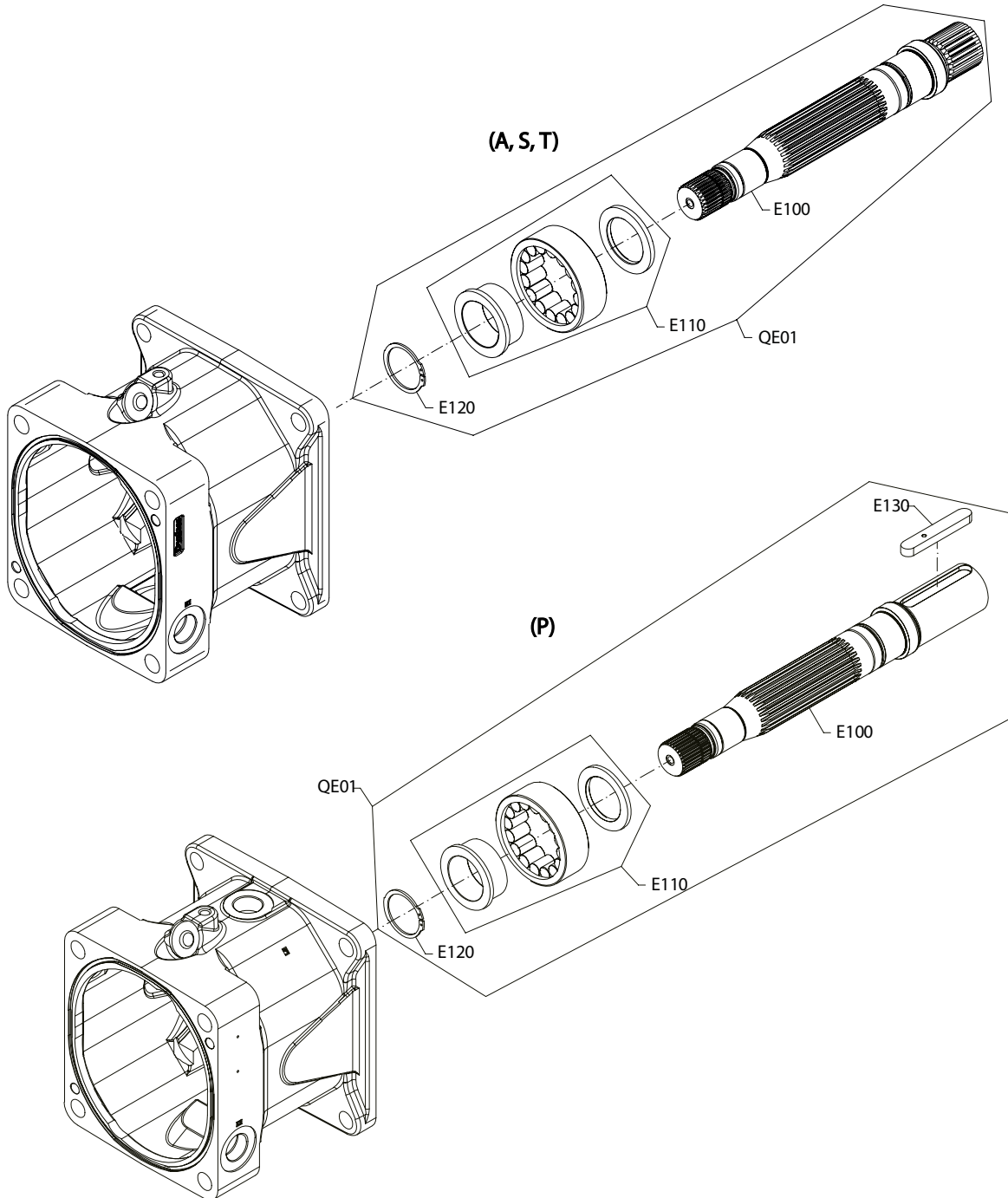
Order code: NPE2

Item	Date Begin	Date End	Part Number	Part Name	Qty. per Model/Kit
A220	19-24		11187492	Bias piston	1
D103	19-24		11040532	Plug assembly	5
D110	19-24		11126005	Screw	1
D120	19-24		9003509-0006	Hex nut seal	1
D145	19-24		11168710	Control seal	1
D160	19-24		11130807	Dowel pin	2
D175	19-24		527218	Screw	5
D190	19-24		9004104-1200	O-ring	1
D210	19-24		11130945	O-ring	1
D350	19-24		9004104-1160	O-ring	1
D370	19-24		11167267	Screw	1
D380	19-24		612291	Lock nut seal	1
D645	19-24		11187420	Snap ring	1
D700	19-24		11146859	Proportional solenoid	1
D705	19-24		11155340	Solenoid cap, plastic	1
D900	19-24		11131608	Plug assembly	1
D902	19-24		11135346	Seal ring	1
QD01	19-24		11224630	SVC control kit	1
QD02	19-24		11153191	SVC shuttle valve kit	1

Input shaft

D1P 260 shaft A-T

Parts configuration



Generic end cap used to show part location only

Input shaft

Order code: A

Item	Date Begin	Date End	Part Number	Part Name	Qty. per Model/Kit
E100	16-42		11173294	Shaft	1
E110	16-42		11156871	Shaft bearing	1
E120	16-42		11156897	Retainer ring	1
QE01	16-42		11189648	SVC shaft kit	1

Order code: S

E100	16-42		11173293	Shaft	1
E110	16-42		11156871	Shaft bearing	1
E120	16-42		11156897	Retainer ring	1
QE01	16-42		11189647	SVC shaft kit	1

Order code: T

E100	16-42		11156870	Shaft	1
E110	16-42		11156871	Shaft bearing	1
E120	16-42		11156897	Retainer ring	1
QE01	16-42		11189650	SVC shaft kit	1

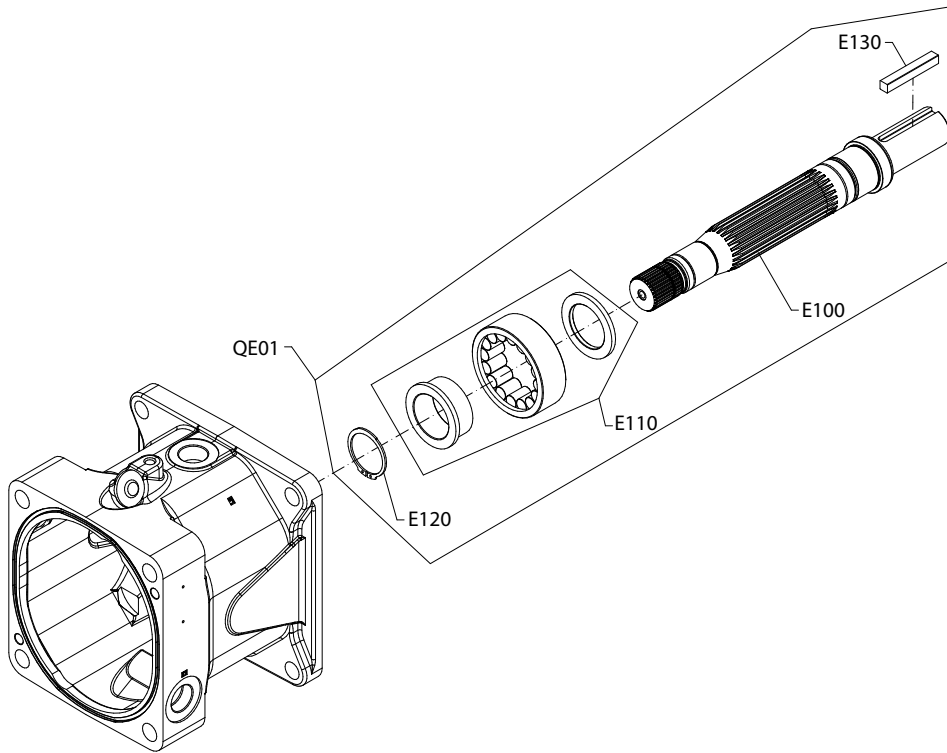
Order code: P

E100	16-42		11173295	Shaft	1
E110	16-42		11156871	Shaft bearing	1
E120	16-42		11156897	Retainer ring	1
E130	16-42		11173297	Shaft key	1
QE01	16-42		11189649	SVC shaft kit	1

Input shaft

D1P 260 shaft K

Parts configuration



Generic housing used to show part location only.

Input shaft

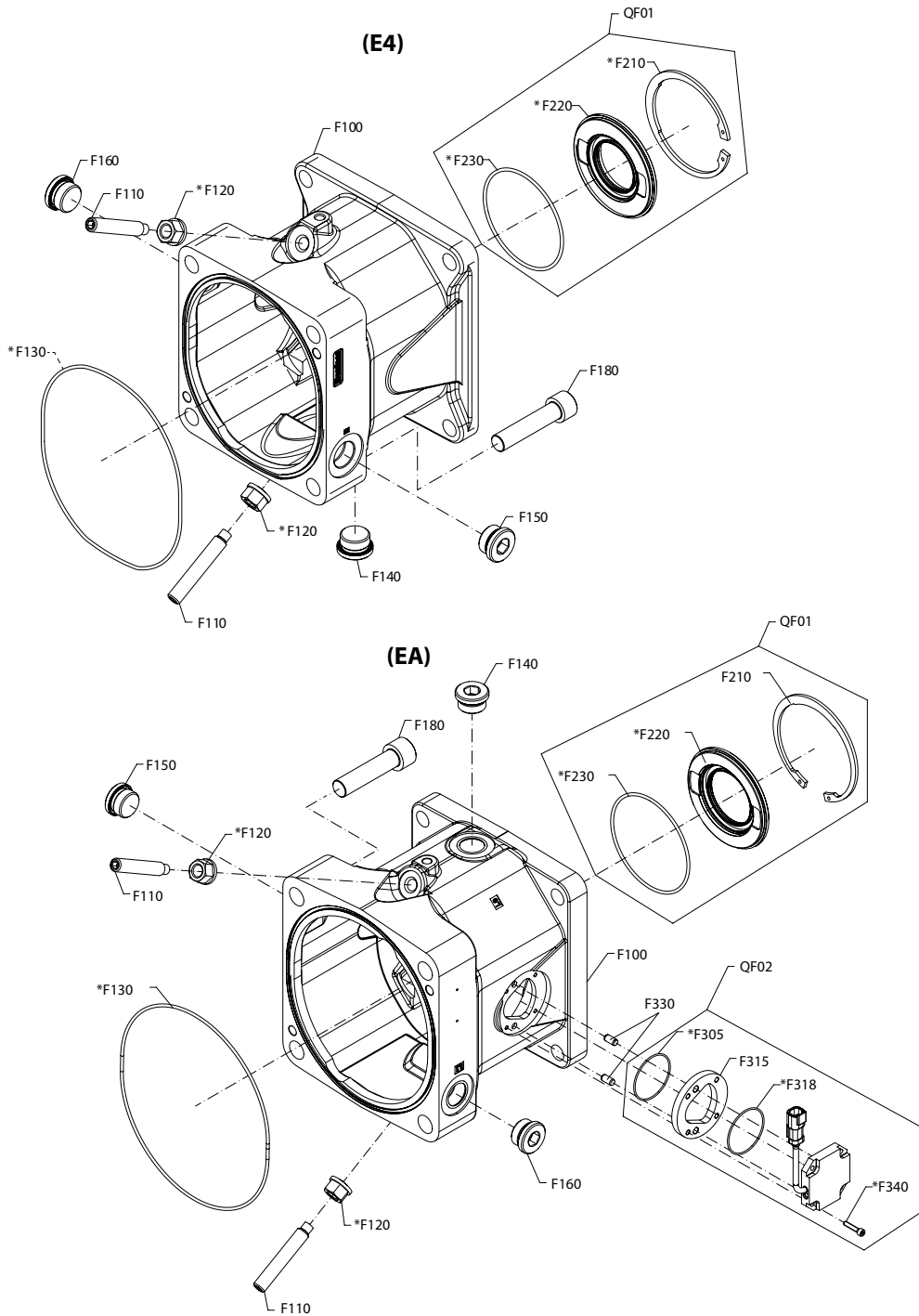
Order code: K

Item	Date Begin	Date End	Part Number	Part Name	Qty. per Model/Kit
E100	18-36		11216648	3in straight key shaft	1
E110	18-36		11156871	Shaft bearing	1
E120	18-36		11156897	Retainer ring	1
E130	18-36		11223862	Shaft key	1
QE01	18-36		11223866	SVC shaft kit	1

Mounting flange

D1P 260 mounting flange E4, EA

Parts configuration



* Included in overhaul seal kit Q210

Mounting flange

Order code: E4

Item	Date Begin	Date End	Part Number	Part Name	Qty. per Model/Kit
F100	16-01		11156875	Housing	1
F110	16-01		11164808	Set screw	2
F120	16-01		11125710	Hex nut	2
F130	16-01		11166685	O-ring	1
F140	16-01		11167122	Plug assembly	1
F150	16-01		11167122	Plug assembly	1
F160	16-01		11167122	Plug assembly	1
F180	16-01		11166688	Screw	4
F210	16-01		11156878	Retainer ring	1
F220	16-01		11156879	Carrier seal assembly	1
F230	16-01		11166687	O-ring	1
QF01	16-01		11168253	SVC shaft seal kit	1

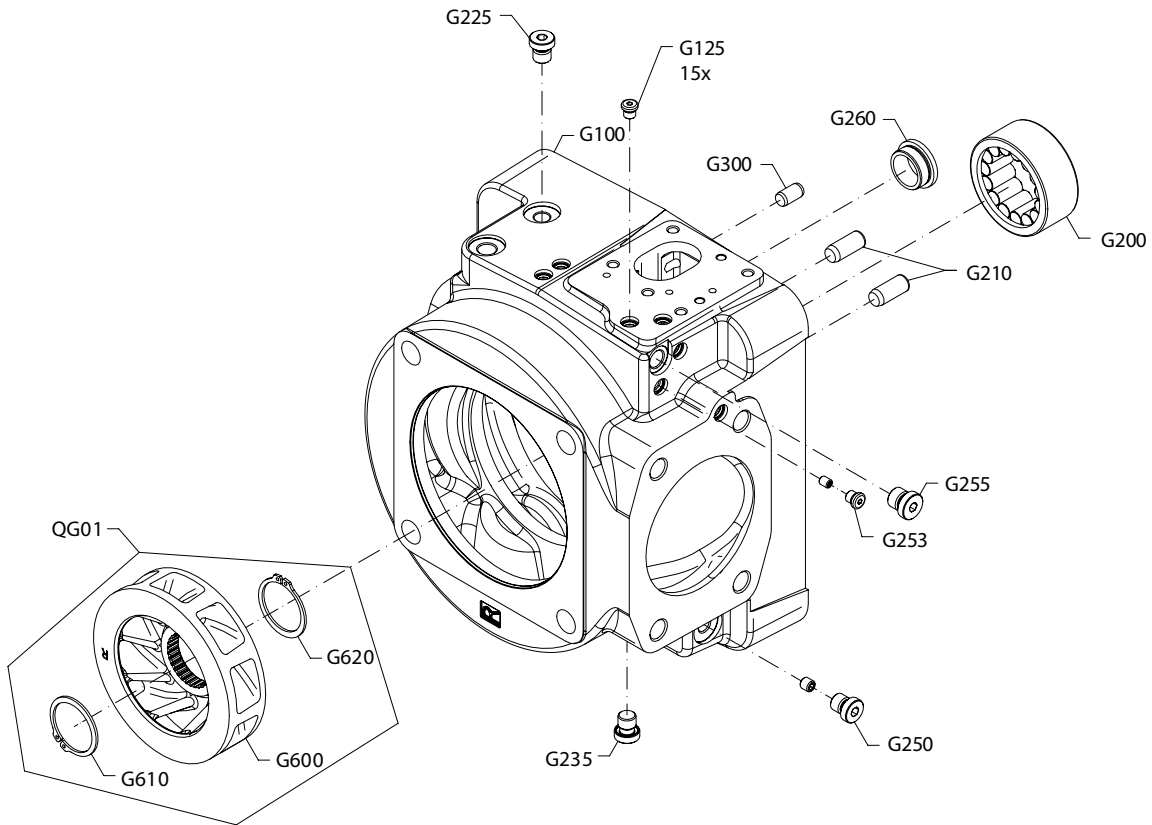
Order code: EA

F100	18-49		11201156	Housing, with ANSR	1
F110	18-49		11164808	Set screw	2
F120	18-49		11125710	Hex nut seal	2
F130	18-49		11166685	O-ring	1
F140	18-49		11167122	Plug assembly	1
F150	18-49		11167122	Plug assembly	1
F160	18-49		11167122	Plug assembly	1
F180	18-49		11166688	Screw	4
F210	18-49		11156878	Retainer ring	1
F220	18-49		11156879	Carrier seal assembly	1
F230	18-49		11166687	O-ring	1
F305	18-49		9004104-0350	O-ring	1
F315	18-49		11201149	ANSR spacer	1
F318	18-49		9004104-0350	O-ring	1
F340	18-49		11201145	Screw	4
QF01	18-49		11168253	SVC shaft seal kit	1
QF02	18-49		11233558	SVC angle sensor kit	1

Endcap

D1P 260 endcap Y3

Parts configuration



Generic orifice (G130 and G140) used to show part location only.

Endcap

Order code: Y3 (clockwise configuration)

Item	Date Begin	Date End	Part Number	Part Name	Qty. per Model/Kit
G100	15-35		11156886	Endcap assembly	1
G200	15-35		11156890	Shaft bearing	1
G210	15-35		11125269	Dowel pin	2
G225	15-35		11135349	Plug assembly	1
G235	15-35		11135349	Plug assembly	1
G250	15-35		11135349	Plug assembly	1
G253	15-35		11040532	Plug assembly	1
G255	15-35		11139781	Plug assembly	1
G260	15-35		11156891	Bushing	1
G300	15-35		11166689	Dowel pin	1
G600	15-35		11126107	Impeller	1
G610	15-35		11127784	Retainer ring	1
G620	15-35		11127784	Retainer ring	1
QG01	15-35		11153195	SVC impeller kit, CW	1

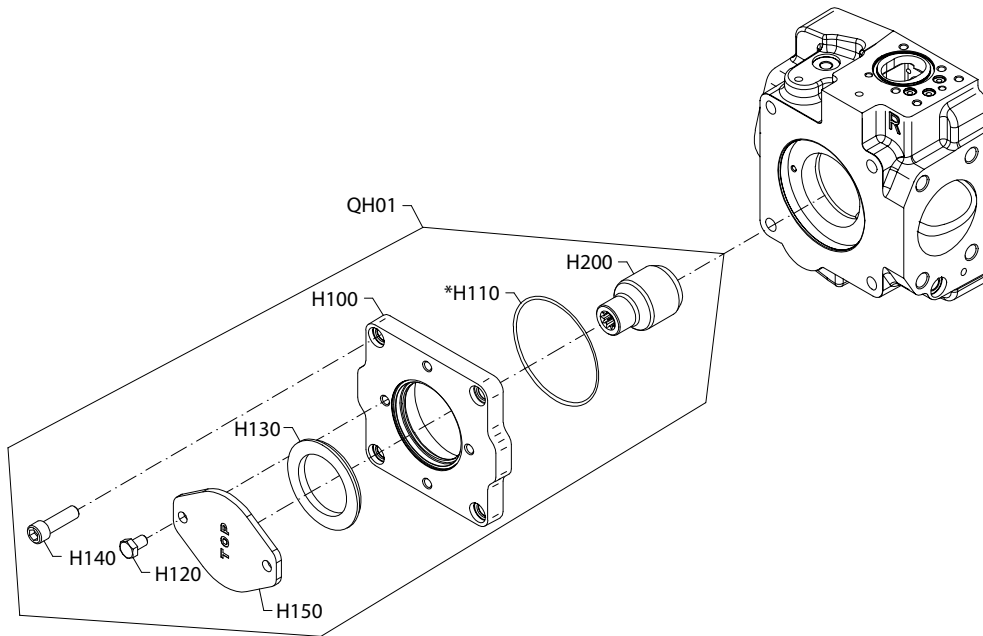
Order code: Y3 (counterclockwise configuration)

Item	Date Begin	Date End	Part Number	Part Name	Qty. per Model/Kit
G100	15-35		11190513	Endcap assembly	1
G200	15-35		11156890	Shaft bearing	1
G210	15-35		11125269	Dowel pin	2
G225	15-35		11135349	Plug assembly	1
G235	15-35		11135349	Plug assembly	1
G250	15-35		11135349	Plug assembly	1
G253	15-35		11040532	Plug assembly	1
G255	15-35		11139781	Plug assembly	1
G260	15-35		11156891	Bushing	1
G300	15-35		11166689	Dowel pin	1
G600	15-35		11180818	Impeller	1
G610	15-35		11127784	Retainer ring	1
G620	15-35		11127784	Retainer ring	1
QG01	15-35		11196163	SVC impeller kit, CCW	1

Auxiliary mounting flange

D1P aux mounting A1, A3

Parts configuration



Generic endcap used to show part location only

* Included in overhaul seal kit Q210

Auxiliary mounting flange

Order code: A1

Item	Date Begin	Date End	Part Number	Part Name	Qty. per Model/Kit
H100	16-01		11137727	Adapter	1
H110	16-01		11130792	O-ring	1
H120	16-01		11130802	Screw	4
H130	16-01		4800482	Seal	1
H140	16-01		11139662	Hex screw	2
H150	16-01		4460586	Cover	1
H200	16-01		11138417	Coupling	1
QH01	16-01		11160946	SVC aux pad kit	1

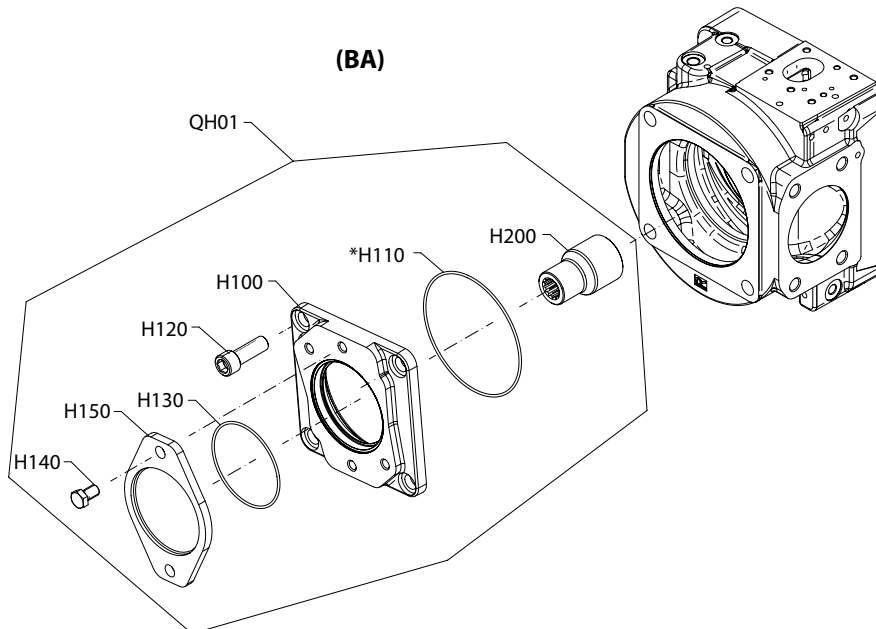
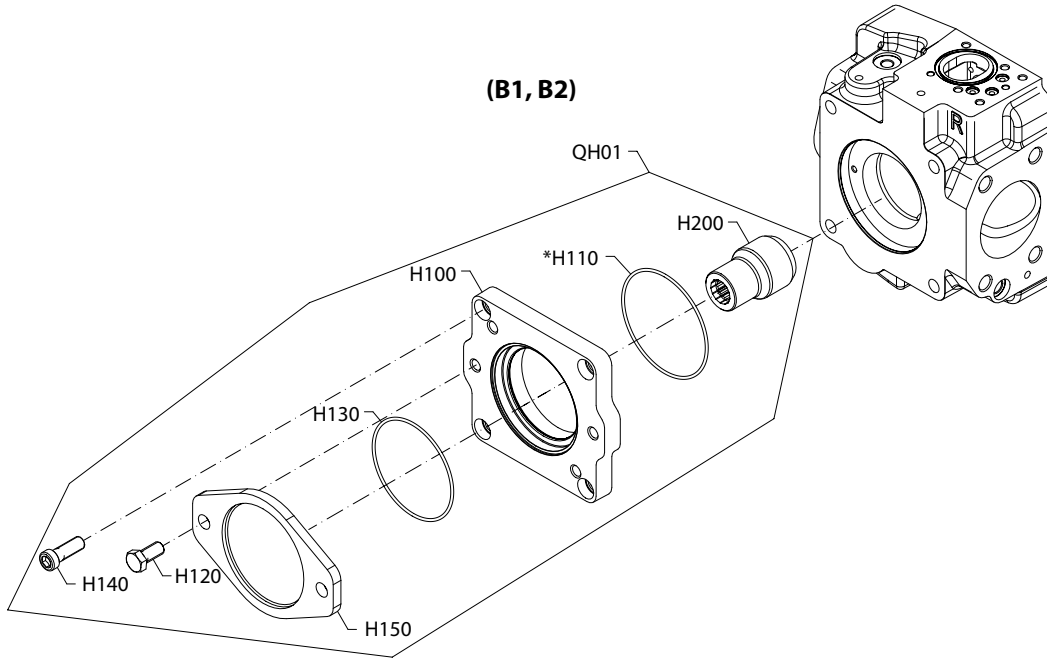
Order code: A3

H100	16-01		11137727	Adapter	1
H110	16-01		11130792	O-ring	1
H120	16-01		11130802	Screw	4
H130	16-01		4800482	Seal	1
H140	16-01		11139662	Hex screw	2
H150	16-01		4460586	Cover	1
H200	16-01		11190214	Coupling	1
QH01	16-01		11196164	SVC aux pad kit	1

Auxiliary mounting flange

D1P aux mounting B1, B2, BA, BB

Parts configuration



* Included in overhaul seal kit Q210

Generic endcap used to show part location only.

Auxiliary mounting flange

Common parts

Item	Date Begin	Date End	Part Number	Part Name	Qty. per Model/Kit
H100	16-01		11129048	Adapter	1
H110	16-01		11130792	O-ring	1
H120	16-01		11130802	Screw	4
H130	16-01		9004104-1540	O-ring	1
H140	16-01		509528	Hex screw	2
H150	16-01		4460370	Cover, SAE B flange	1

Order code: B1

H200	16-01		11138204	Coupling	1
QH01	16-01		11160947	SVC aux pad kit	1

Order code: B2

H200	19-20		11229286	Coupling	1
QH01	19-20		11229287	SVC aux pad kit	1

Order code: BA (90° orientation)

H200	17-48		11138204	Coupling	1
QH01	17-48		11160947	SVC aux pad kit	1

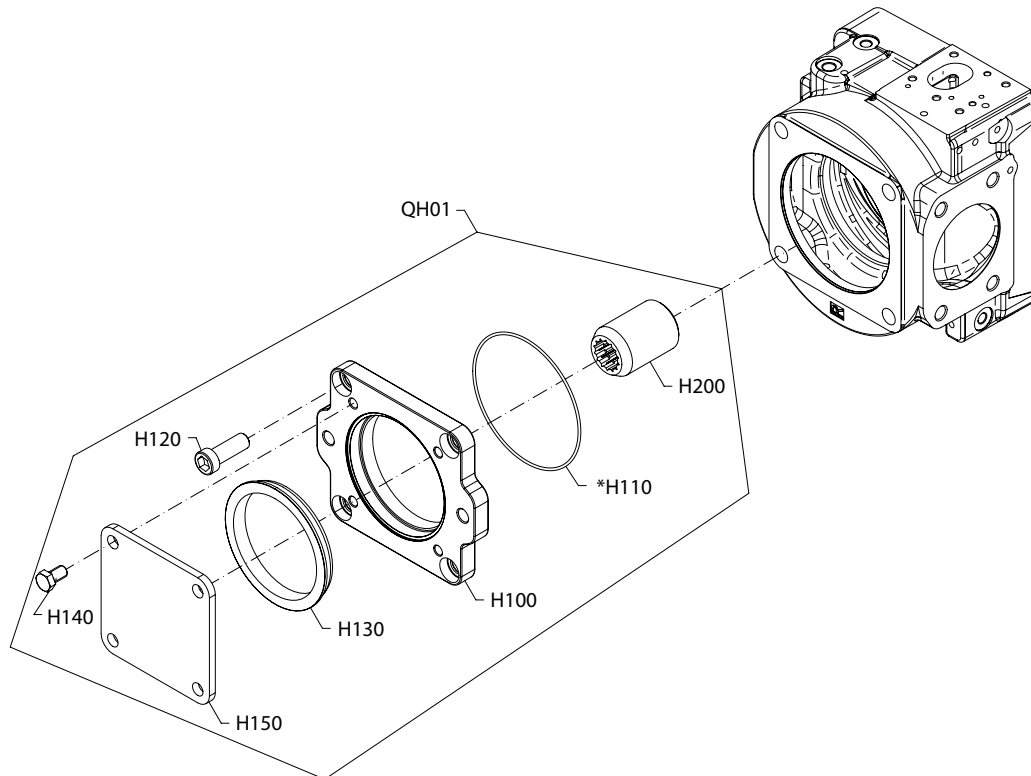
Order code: BB (45° orientation)

H200	18-51		11138204	Coupling	1
QH01	18-51		11160947	SVC aux pad kit	1

Auxiliary mounting flange

D1P aux mounting C5, C9

Parts configuration



Generic endcap used to show part location only

* Included in overhaul seal kit Q210

Auxiliary mounting flange

Order code: C5

Item	Date Begin	Date End	Part Number	Part Name	Qty. per Model/Kit
H100	14-38		11156542	Adapter	1
H110	14-38		11130792	O-ring	1
H120	14-38		11165544	Screw	4
H130	14-38		11081805	C-pad seal	1
H140	14-38		509528	Hex screw	4
H150	14-38		8801060	Cover	1
H200	14-38		11153130	Coupling	1
QH01	14-38		11160948	SVC aux pad kit	1

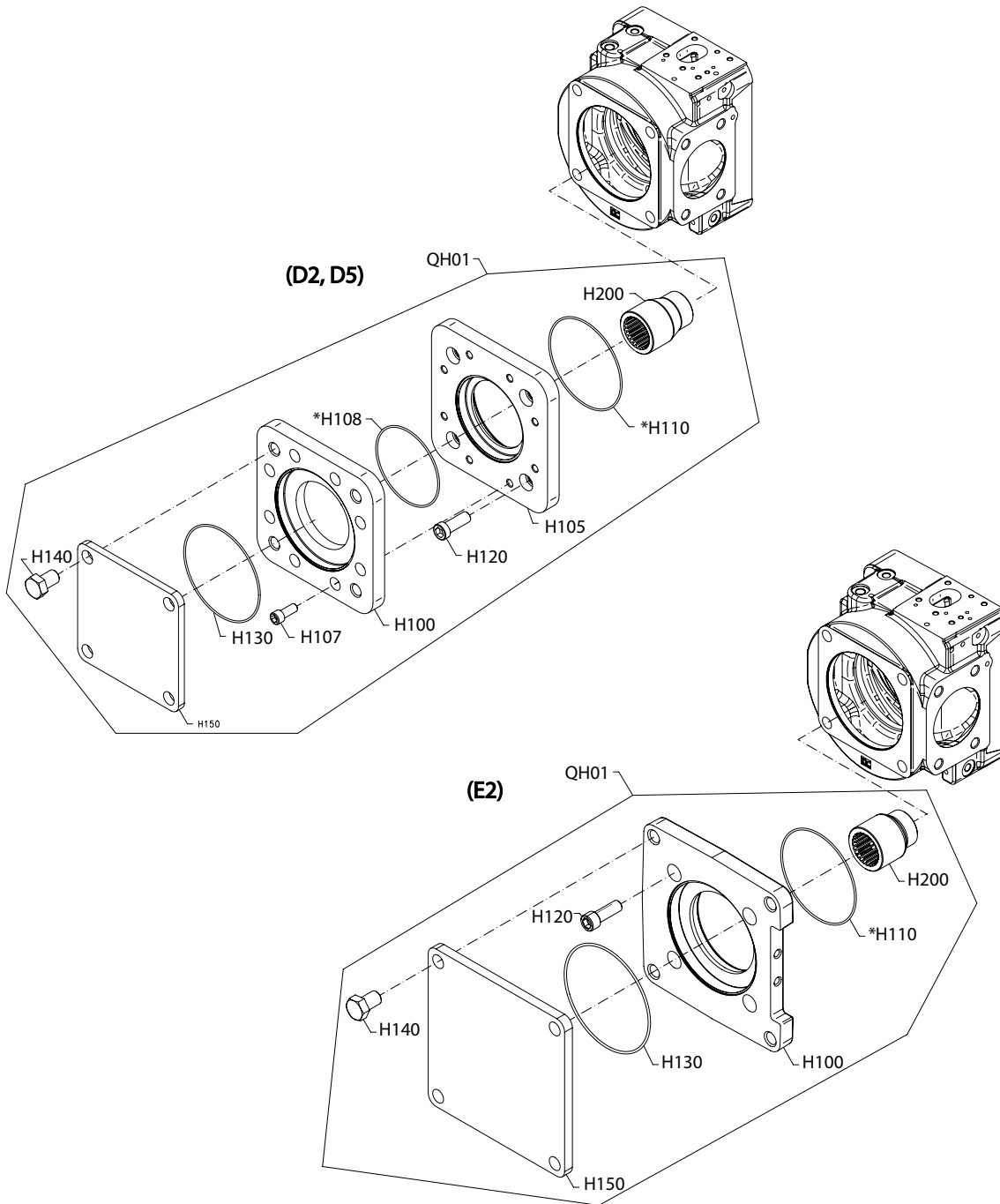
Order code: C9

H100	17-16		11189976	Adapter	1
H110	17-16		11130792	O-ring	1
H120	17-16		11130802	Screw	4
H130	17-16		11081805	C-pad seal	1
H140	17-16		509528	Hex screw	4
H150	17-16		8801060	Cover	1
H200	17-16		11189848	Coupling	1
QH01	17-16		11196165	SVC aux pad kit	1

Auxiliary mounting flange

D1P aux mounting D2, D5, E2

Parts configuration



Generic endcap used to show part location only

* Included in overhaul seal kit Q210

Auxiliary mounting flange

Order code: D2

Item	Date Begin	Date End	Part Number	Part Name	Qty. per Model/Kit
H100	17-14		11165411	Rear adapter	1
H105	17-14		11165410	Front adapter	1
H107	17-14		11158926	Screw	8
H108	17-14		9004104-1580	O-ring	1
H110	17-14		11130792	O-ring	1
H120	17-14		11165544	Screw	4
H130	17-14		9004104-1620	O-ring	1
H140	17-14		11024165	Hex screw	4
H150	17-14		338400	Cover	1
H200	17-14		11189848	Coupling	1
QH01	17-14		11196166	SVC aux pad kit	1

Order code: D5

H100	17-14		11165411	Rear adapter	1
H105	17-14		11165410	Front adapter	1
H107	17-14		11158926	Screw	8
H108	17-14		9004104-1580	O-ring	1
H110	17-14		11130792	O-ring	1
H120	17-14		11165544	Screw	4
H130	17-14		9004104-1620	O-ring	1
H140	17-14		11024165	Hex screw	4
H150	17-14		338400	Cover	1
H200	17-14		11180061	Coupling	1
QH01	17-14		11170706	SVC aux pad kit	1

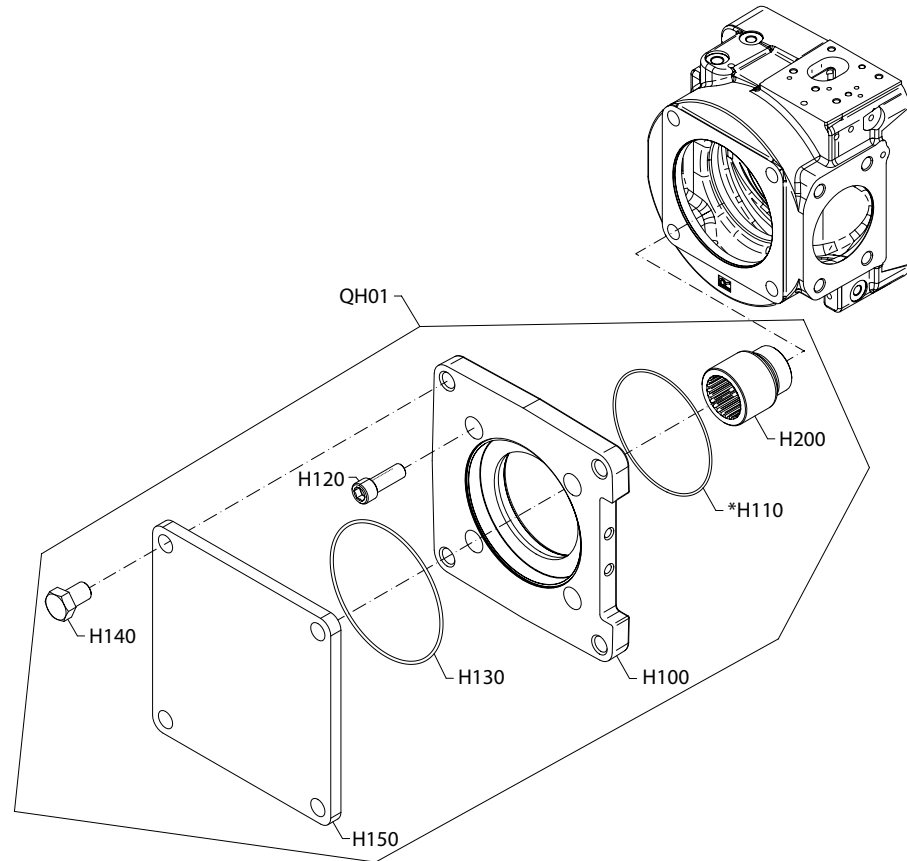
Order code: E2

H100	16-01		11136088	Adapter	1
H110	16-01		11130792	O-ring	1
H120	16-01		11130802	Screw	4
H130	16-01		505068	O-ring	1
H140	16-01		11024165	Hex screw	4
H150	16-01		750422	Cover	1
H200	16-01		11138418	Coupling	1
QH01	16-01		11160950	SVC aux pad kit	1

Auxiliary mounting flange

D1P aux mounting E3

Parts configuration



Generic endcap used to show part location only.

* Included in overhaul seal kit Q210

Auxiliary mounting flange

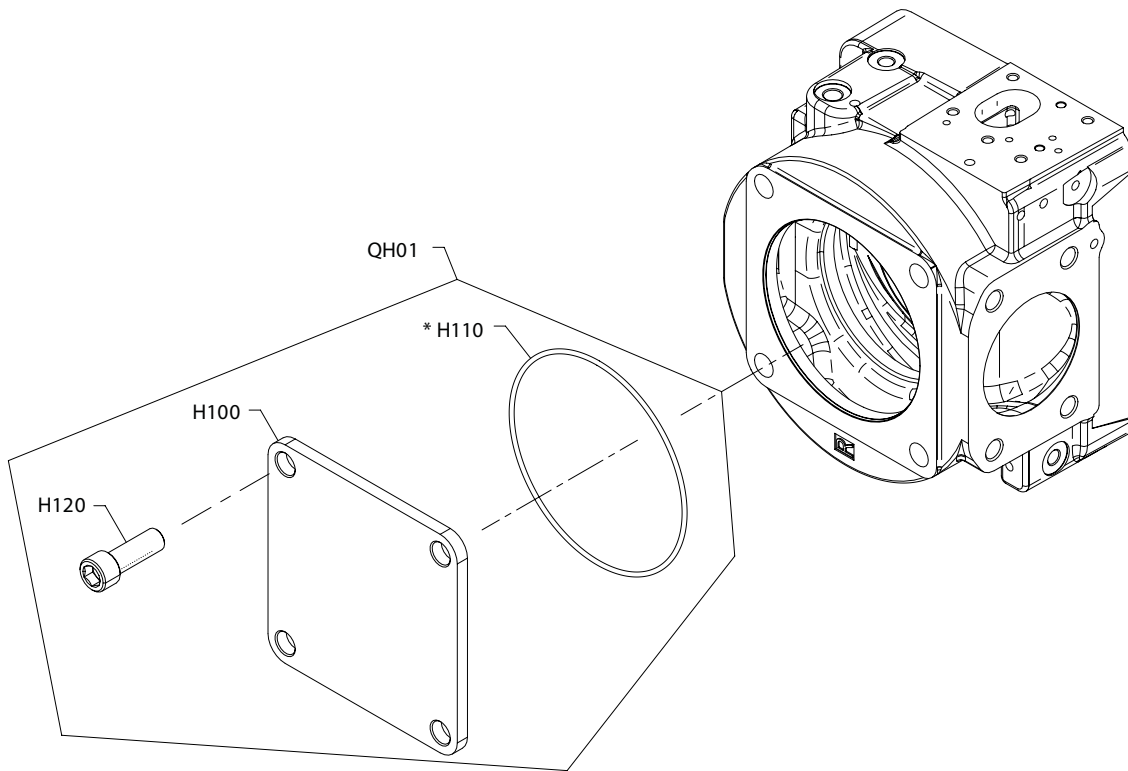
Order code: E3

Item	Date Begin	Date End	Part Number	Part Name	Qty. per Model/Kit
H100	16-21		11136088	Adapter	1
H110	16-21		11130792	O-ring	1
H120	16-21		11130802	Screw	4
H130	16-21		505068	O-ring	1
H140	16-21		11024165	Hex screw	4
H150	16-21		750422	SAE-E flange cover	1
H200	16-21		11178715	Coupling	1
QH01	16-21		11179969	SVC aux pad kit	1

Auxiliary mounting flange

D1P aux mounting NN

Parts configuration



Generic endcap used to show part location only

* Included in overhaul seal kit Q210

Auxiliary mounting flange

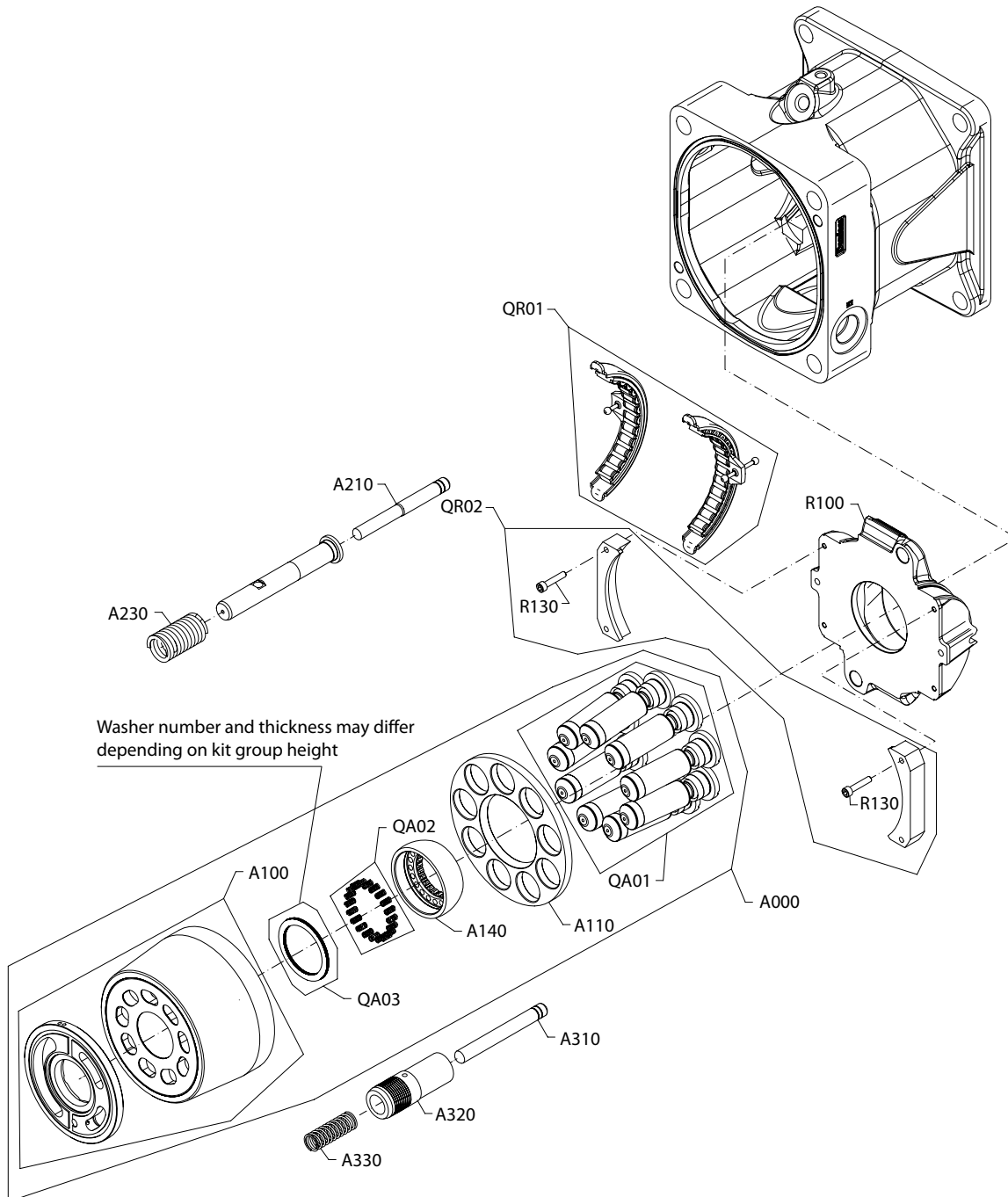
Order code: NN

Item	Date Begin	Date End	Part Number	Part Name	Qty. per Model/Kit
H100	15-16		11159172	Cover (without aux)	1
H110	15-16		505068	O-ring	1
H120	15-16		11130802	Screw	4
QH01	15-16		11160951	SVC aux pad kit	1

Special hardware

D1P 260 special hardware NNN

Parts configuration



Generic housing and bias piston used to show part location only. This option is available in clockwise and counterclockwise rotation. Please order accordingly.

Special hardware

Common parts

Item	Date Begin	Date End	Part Number	Part Name	Qty. per Model/Kit
A110	16-01		11156953	Slipper retainer	1
A140	16-01		11156959	Slipper guide retainer	1
A210	16-01		11162217	Bias rod, long	1
A230	16-01		11156972	Spring	1
A310	16-01		11156973	Servo rod	1
A320	16-01		11156974	Servo piston	1
A330	16-01		11156975	Spring	1
R100	16-01		11156976	Swashplate	1
R130	16-01		11142920	Screw	4
QA01	16-01		11168257	SVC piston kit	1
QA02	16-01		11187628	SVC spring kit	1
QA03	16-01		11201163	SVC washer kit	1
QR01	16-01		11187631	SVC bearing kit	1
QR02	16-01		11189655	SVC holder kit	1

Order code: NNN (clockwise)

A000	16-01		11156945	Kit assembly	1
A100	16-01		11156946	Cylinder block kit	1
A120	16-01		11156957	Washer	1

Order code: NNN (counterclockwise)

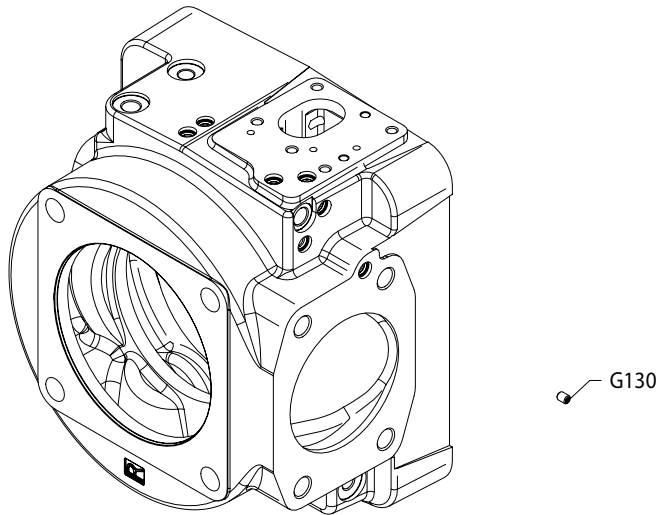
A000	16-01		11190501	Kit assembly	1
A100	16-01		11190500	Cylinder block kit	1
A120	16-01		11156590	Washer	1

Special hardware

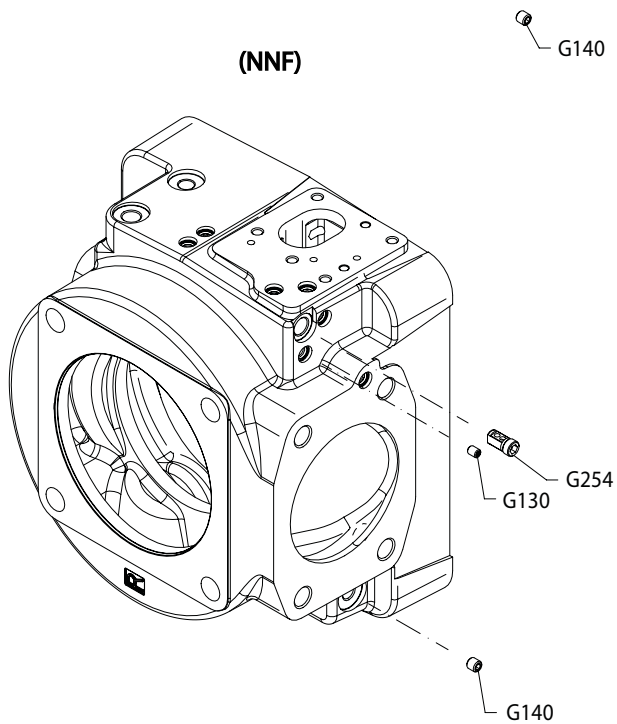
D1P 260 orifice NNN, NNF

Parts configuration

(NNN)



(NNF)



Special hardware

Order code: NNN

Item	Date Begin	Date End	Part Number	Part Name	Qty. per Model/Kit
G130	16-01		516598	Orifice	1
G140	16-01		11131955	Orifice	1

Order code: NNF

G130	16-01		516598	Orifice	1
G140	16-01		11131955	Orifice	1
G254	16-01		11124768	Edge filter	1

Overhaul seal kit

D1P 260 seal kit

Item	Date Begin	Date End	Part Number	Part Name	Qty. per Model/Kit
Q210	16-01		11187634	SVC overhaul seal kit	
D120	16-01		9003509-0006	Hex nut seal	1
D145	16-01		11168710	Seal	1
D190	16-01		9004104-1200	O-ring	1
D210	16-01		11130945	O-ring	1
D350	16-01		9004104-1160	O-ring	1
D380	16-01		612291	Hex nut seal	1
D450	16-01		9004104-1160	O-ring	1
D480	16-01		612291	Lock nut seal	1
D540	16-01		9004104-0100	O-ring	1
D850	16-01		9004104-1160	O-ring	1
D880	16-01		612291	Lock nut seal	1
D902	16-01		11135346	Seal	1
F120	16-01		11125710	Hex nut	2
F130	16-01		11166685	O-ring	1
F220	16-01		11156879	Carrier seal assembly	1
F230	16-01		11166687	O-ring	1
H108	16-01		9004104-1580	O-ring	1
H110	16-01		11130792	O-ring	1
H110	16-01		505068	O-ring	1

Products we offer:

- Cartridge valves
- DCV directional control valves
- Electric converters
- Electric machines
- Electric motors
- Gear motors
- Gear pumps
- Hydraulic integrated circuits (HICs)
- Hydrostatic motors
- Hydrostatic pumps
- Orbital motors
- PLUS+1® controllers
- PLUS+1® displays
- PLUS+1® joysticks and pedals
- PLUS+1® operator interfaces
- PLUS+1® sensors
- PLUS+1® software
- PLUS+1® software services, support and training
- Position controls and sensors
- PVG proportional valves
- Steering components and

Hydro-Gear

www.hydrogear.com

Daikin-Sauer-Danfoss

www.daikin-sauer-danfoss.com

Danfoss Power Solutions is a global manufacturer and supplier of high-quality hydraulic and electric components. We specialize in providing state-of-the-art technology and solutions that excel in the harsh operating conditions of the mobile off-highway market as well as the marine sector. Building on our extensive applications expertise, we work closely with you to ensure exceptional performance for a broad range of applications. We help you and other customers around the world speed up system development, reduce costs and bring vehicles and vessels to market faster.

Danfoss Power Solutions – your strongest partner in mobile hydraulics and mobile electrification.

Go to www.danfoss.com for further product information.

We offer you expert worldwide support for ensuring the best possible solutions for outstanding performance. And with an extensive network of Global Service Partners, we also provide you with comprehensive global service for all of our components.

Local address:

Danfoss Power Solutions (US) Company
2800 East 13th Street
Ames, IA 50010, USA
Phone: +1 515 239 6000

Danfoss Power Solutions GmbH & Co. OHG
Krokamp 35
D-24539 Neumünster, Germany
Phone: +49 4321 871 0

Danfoss Power Solutions ApS
Nordborgvej 81
DK-6430 Nordborg, Denmark
Phone: +45 7488 2222

Danfoss Power Solutions Trading (Shanghai) Co., Ltd.
Building #22, No. 1000 Jin Hai Rd
Jin Qiao, Pudong New District
Shanghai, China 201206
Phone: +86 21 2080 6201

Danfoss can accept no responsibility for possible errors in catalogues, brochures and other printed material. Danfoss reserves the right to alter its products without notice. This also applies to products already on order provided that such alterations can be made without subsequent changes being necessary in specifications already agreed. All trademarks in this material are property of the respective companies. Danfoss and the Danfoss logotype are trademarks of Danfoss A/S. All rights reserved.