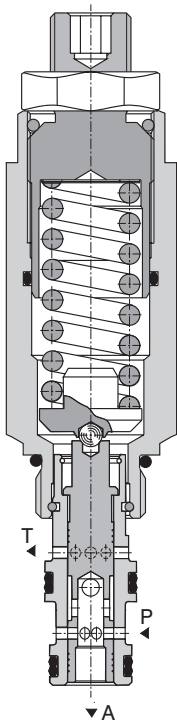


Model S

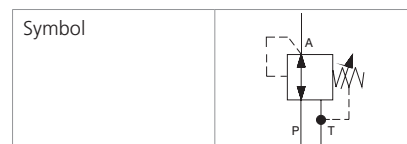


Technical Features

- › Excellent stability throughout flow range with rapid response to dynamic pressure changes
- › Low hysteresis, accurate pressure control and low pressure drop
- › Wide pressure range up to 350 bar
- › Hardened precision parts
- › Adjustable by allen key or hand screw
- › In the standard version, the valve is zinc-coated for 240 h protection acc. to ISO 9227

Functional Description

The valve provides an adjustable regulated pressure level below supply pressure. This direct acting model is suitable for applications with lower flow rates and lower regulated pressures. In case of shock or surge pressures in the downstream line the valve acts as a relief valve, directing excessive pressure and flow to the tank.



Technical Data

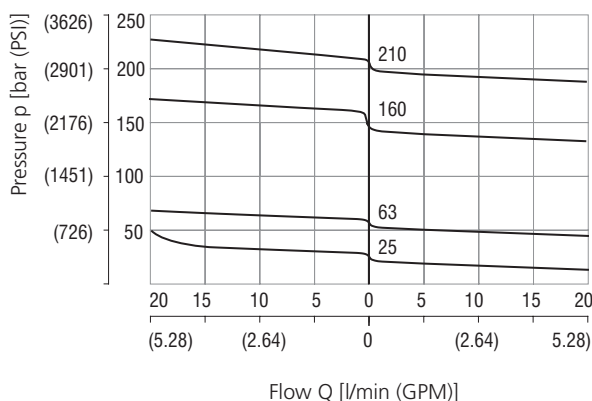
Valve size / Cartridge cavity		3/4-16 UNF-2A / A3			
Max. flow	l/min (GPM)	20 (5.3)			
Pressure range		2	6	16	21
Max. operating pressure (port P)	bar (PSI)	50 (730)	150 (2180)	250 (3630)	350 (5080)
Reduced pressure range (at Q = 5 l/min)	bar (PSI)	10-25 (150-360)	20-63 (290-910)	50-160 (730-2320)	100-210 (1450-3050)
Max. back pressure (port T)	bar (PSI)	200 (3630)			
Fluid temperature range (NBR)	°C (°F)	-30 ... +100 (-22 ... 212)			
Fluid temperature range (FPM)	°C (°F)	-20 ... +120 (-4 ... 248)			
Weight	kg (lbs)	0.13 (0.29)			

		Datasheet	Type
General information		GI_0060	Products and operating conditions
Valve bodies	In-line mounted	SB_0018	SB-A3*
	Sandwich mounted	SB-04(06)_0028	SB-*-A3*
Cavity details / Form tools		SMT_0019	SMT-A3*
Spare parts		SP_8010	

Characteristics measured at  $v = 32 \text{ mm}^2/\text{s}$  (156 SUS)

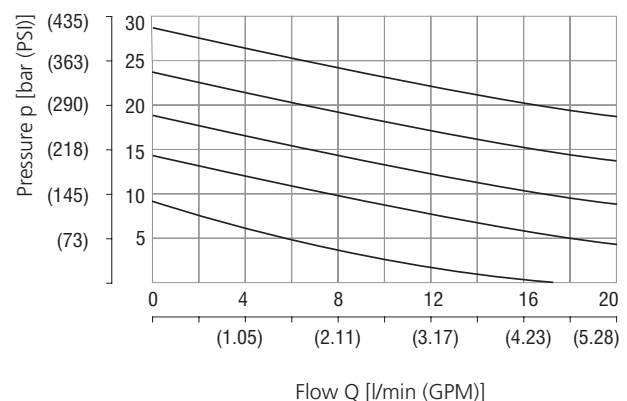
Reducing - relieving pressure related to flow rate

Relieving function A→T / Reducing function P→A



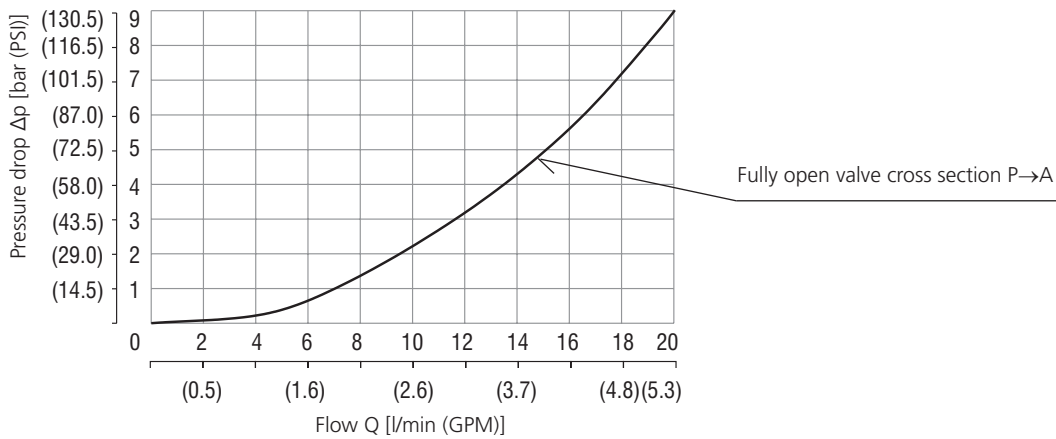
Minimum reducing pressure related to flow rate

Pressure range 6



**Characteristics** measured at  $v = 32 \text{ mm}^2/\text{s}$  (156 SUS)

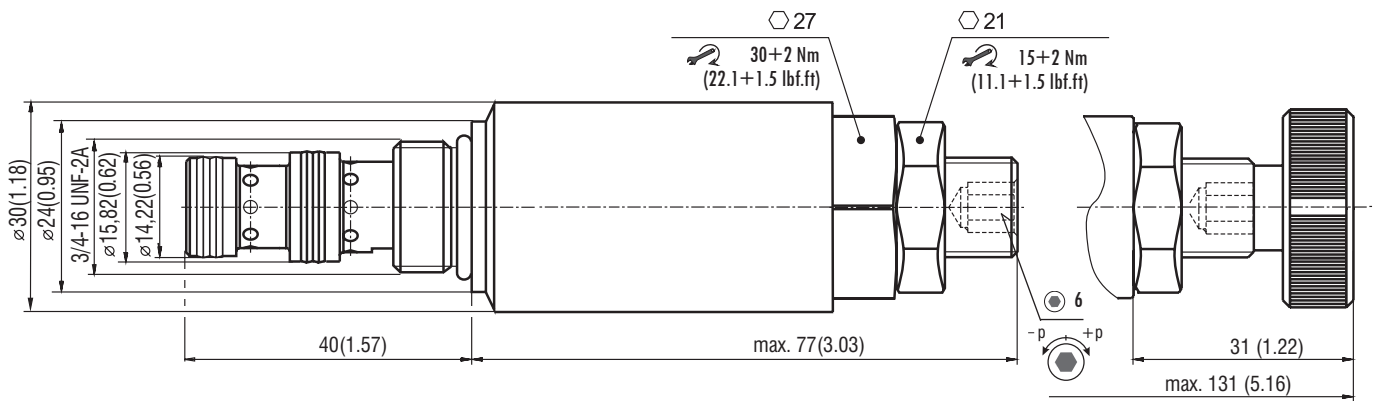
**Pressure drop related to flow rate**



**Dimensions** in millimeters (inches)

**Model S**

**Model RS**



**Ordering Code**

SP2A-A3 /     -

Pressure reducing - relieving valve,  
spool type, direct acting 3/4-16 UNF

Model  
Lightline

L

**Reduced pressure ranges (at Q = 5 l/min)**

10 - 25 bar (150 - 360 PSI)	2
20 - 63 bar (290 - 910 PSI)	6
50 - 160 bar (730 - 2320 PSI)	16
100 - 210 bar (1450 - 3050 PSI)	21

No designation  
V

**Surface treatment**

- A zinc-coated (ZnCr-3), ISO 9227 (240 h)
- B zinc-coated (ZnNi), ISO 9227 (520 h)

**Seals**

- NBR
- FPM (Viton)

**Adjustment option**

- S allen key (hex. 6), without protective cap
- RS hand screw, metal